

# **OWNER'S MANUAL**

2023 FURY

This manual should be considered a permanent part of the vehicle and should remain with the vehicle when it is resold.

This publication includes the latest production information available before printing. Honda Motor Co., Ltd. reserves the right to make changes at any time without notice and without incurring any obligation.

No part of this publication may be reproduced without written permission.

The vehicle pictured in this owner's manual may not match your actual vehicle.

# Welcome

Congratulations on your purchase of a new Honda vehicle. Your selection of a Honda makes you part of a worldwide family of satisfied customers who appreciate Honda's reputation for building quality into every product.

To ensure your safety and riding pleasure:

- Read this owner's manual carefully.
- Follow all recommendations and procedures contained in this manual.
- Pay close attention to safety messages contained in this manual and on the vehicle.

To protect your investment, we urge you to take responsibility for keeping your vehicle well-serviced and maintained. Also, observe the break-in guidelines and always perform the pre-ride inspection and other periodic checks in this manual.

When service is required, remember that your Honda dealer knows your vehicle best. If you have the required mechanical "know-how" and tools, you can purchase an official Honda Service Manual to help you perform many maintenance and repair tasks. ➔ P. 107

Read the warranty information thoroughly so that you understand the warranty coverage and are aware of your rights and responsibilities. ➔ P. 108

You may also want to visit our website at [www.powersports.honda.com](http://www.powersports.honda.com).  
Happy riding!


## A Few Words About Safety

Your safety, and the safety of others, is very important. Operating this vehicle safely is an important responsibility.

To help you make informed decisions about safety, we have provided operating procedures and other information on safety labels and in this manual. This information alerts you to potential hazards that could hurt you or others.

Of course, it is not practical or possible to warn you about all hazards associated with operating or maintaining a vehicle. You must use your own good judgment.

You will find important safety information in a variety of forms, including:

- Safety labels on the vehicle
- Safety Messages preceded by a safety alert symbol  and one of three signal words: DANGER, WARNING, or CAUTION.

These signal words mean:

### **DANGER**

You **WILL** be **KILLED** or **SERIOUSLY HURT** if you don't follow instructions.

### **WARNING**

You **CAN** be **KILLED** or **SERIOUSLY HURT** if you don't follow instructions.

### **CAUTION**

You **CAN** be **HURT** if you don't follow instructions.

**Other important information is provided under the following titles:**

**NOTICE** Information to help you avoid damage to your vehicle, other property, or the environment.

# Contents

**Vehicle Safety** P. 2

**Operation Guide** P. 20

**Maintenance** P. 38

**Troubleshooting** P. 79

**Information** P. 90

**Specifications** P. 114

# Vehicle Safety

This section contains important information for safe riding of your vehicle.  
Please read this section carefully.

|  |       |
|--|-------|
| <b>Safety Guidelines</b> .....               | P. 3  |
| <b>Safety Labels</b> .....                   | P. 7  |
| <b>Safety Precautions</b> .....              | P. 9  |
| <b>Riding Precautions</b> .....              | P. 11 |
| <b>Accessories &amp; Modifications</b> ..... | P. 15 |
| <b>Loading</b> .....                         | P. 16 |

## Safety Guidelines

Follow these guidelines to enhance your safety:

- Perform all routine and regular inspections specified in this manual.
- Stop the engine and keep sparks and flames away before filling the fuel tank.
- Do not run the engine in enclosed or partly enclosed areas. Carbon monoxide in exhaust gases is toxic and can kill you.

### Always Wear a Helmet

It's a proven fact: helmets and protective apparel significantly reduce the number and severity of head and other injuries. So always wear an approved helmet and protective apparel. ➤ P. 9

### Before Riding

#### Model not equipped with Optional Passenger Seat Kit

Make sure that you are physically fit, mentally focused, and free of alcohol and drugs. Check that you are wearing an approved helmet and protective apparel.

#### Model equipped with Optional Passenger Seat Kit

Make sure that you are physically fit, mentally focused, and free of alcohol and drugs. Check that you and your passenger are both wearing an approved helmet and protective apparel. Instruct your passenger on holding onto the seat strap or your waist, leaning with you in turns, and keeping their feet on the footpegs, even when the vehicle is stopped.

### Take Time to Learn & Practice

Even if you have ridden other vehicles, practice riding in a safe area to become familiar with how this vehicle works and handles, and to become accustomed to the vehicle's size and weight.

We recommend that all riders take a certified course approved by the Motorcycle Safety Foundation (MSF) or a state approved training course. New riders should start with the basic course, and even experienced riders will find the advanced course beneficial.

For information about the MSF training course nearest you, call the national toll-free number: (800) 446-9227.

Other riding tips can be found in the You and Your Motorcycle Riding Tips booklet that came with your vehicle.

### Ride Defensively

Always pay attention to other vehicles around you, and do not assume that other drivers see you. Be prepared to stop quickly or perform an evasive maneuver.

### Make Yourself Easy to See

Make yourself more visible, especially at night, by wearing bright reflective clothing, positioning yourself so other drivers can see you, signaling before turning or changing lanes, and using your horn when necessary.

### Ride within Your Limits

Never ride beyond your personal abilities or faster than conditions warrant. Fatigue and inattention can impair your ability to use good judgment and ride safely.



### **Never Carry a passenger**

Model not equipped with Optional Passenger Seat Kit

There are no handholds, seat, or footrests to carry a passenger.

Do not carry a passenger unless you have purchased and installed the Honda Accessory Passenger Seat Kit, or equivalent parts specifically designed for this vehicle, which must include the passenger seat, seat strap, footpegs, and the mounting hardware.

### **Don't Drink or Use Drugs and Ride**

Alcohol or drugs and riding don't mix. Even one alcoholic drink can reduce your ability to respond to changing conditions, and your reaction time gets worse with every additional drink. The same is true for drug use. Don't drink or use and ride, and don't let your friends do it either.

### **Keep Your Honda in Safe Condition**

It's important to keep your vehicle properly maintained and in safe riding condition. Inspect your vehicle before every ride and perform all recommended maintenance. Never exceed load limits (➤ P. 16), and do not modify your vehicle or install accessories that would make your vehicle unsafe (➤ P. 15).

### **If You are Involved in a Crash**

Personal safety is your first priority. If you or anyone else has been injured, take time to assess the severity of the injuries and whether it is safe to continue riding. Call for emergency assistance if needed. Also follow applicable laws and regulations if another person or vehicle is involved in the crash.

## Safety Guidelines

If you decide to continue riding, first turn the ignition switch to the OFF position, and evaluate the condition of your vehicle. Inspect for fluid leaks, check the tightness of critical nuts and bolts, and check the handlebar, control levers, brakes, and wheels. Ride slowly and cautiously. Your vehicle may have suffered damage that is not immediately apparent. Have your vehicle thoroughly checked at a qualified service facility as soon as possible.

### Carbon Monoxide Hazard

Exhaust contains poisonous carbon monoxide, a colorless, odorless gas. Breathing carbon monoxide can cause loss of consciousness and may lead to death.

If you run the engine in a confined or even partly enclosed area, the air you breathe could contain a dangerous amount of carbon monoxide.

Never run your vehicle inside a garage or other enclosure.

### **WARNING**

Running the engine of your vehicle while in an enclosed or even partially enclosed area can cause a rapid build-up of toxic carbon monoxide gas.

Breathing this colorless, odorless gas can quickly cause unconsciousness and lead to death.

Only run your vehicle's engine when it is located in a well ventilated area outdoors.

## Safety Labels

Safety and information labels on your vehicle provide important safety information and may warn you of potential hazards that could cause

serious injury. Read these labels carefully and don't remove them.

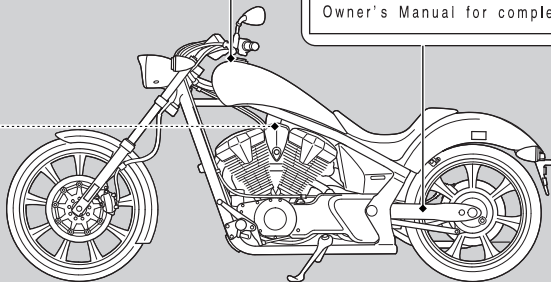
If a label comes off or becomes hard to read, contact your dealer for a replacement.

Model not equipped with Optional Passenger Seat Kit shown

For your protection, always wear your helmet while riding.  
Read the owner's manual carefully.

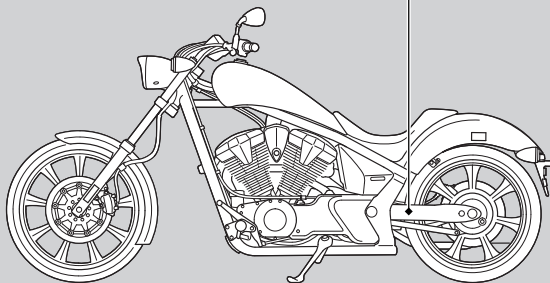
### **⚠ WARNING**

Improper loading can cause a crash and you may be seriously hurt or killed.  
See "Load Limits and Guidelines" in your Owner's Manual for complete instructions.



Model not equipped with Optional Passenger Seat Kit shown

| TIRE INFORMATION  |        |         |  |
|---|--------|---------|--|
| COLD TIRE PRESSURES :                                   |        |         |  |
| [UP TO MAXIMUM WEIGHT CAPACITY]                         | FRONT  | 225 kPa | 2.25 kgf/cm <sup>2</sup> 33psi.                    |
|   | REAR   | 280 kPa | 2.80 kgf/cm <sup>2</sup> 41psi.                    |
| [UP TO 90kg (200lbs.) LOAD ]                            | FRONT  | 225 kPa | 2.25 kgf/cm <sup>2</sup> 33psi.                    |
|   | REAR   | 280 kPa | 2.80 kgf/cm <sup>2</sup> 41psi.                    |
| MAXIMUM WEIGHT CAPACITY : 146 kg (322 lbs.)             |        |         |  |
| TIRE SIZE : FRONT 90/90-21M/C 54H REAR 200/50R18M/C 76H |        |         |  |
| TIRE BRAND  | FRONT  | REAR    | <i>Read Owner's Manual</i>                         |
| DUNLOP  | D422F  | D423    |  |
| METZELER  | ME 880 | ME 880  |  |
| MIN. RECOMMEND TIRE CENTER TREAD DEPTH                  |        |         | (THIS MOTORCYCLE IS EQUIPPED WITH TUBELESS TIRES.) |
| FRONT 1.5mm (0.06in.) REAR 2.0mm (0.08in.)              |        |         |  |



## Safety Precautions

- Ride cautiously and keep your hands on the handlebar and feet on the footpegs.
- **Model equipped with Optional Passenger Seat Kit**  
Instruct your passenger to keep their hands on the seat strap or your waist and their feet on the footpegs while riding.
- **Model not equipped with Optional Passenger Seat Kit**  
Always consider the safety of other drivers and riders.
- **Model equipped with Optional Passenger Seat Kit**  
Always consider the safety of your passenger, as well as other drivers and riders.

### Protective Apparel

#### **Model not equipped with Optional Passenger Seat Kit**

Make sure that you are wearing an approved helmet, eye protection, and high-visibility protective clothing. Avoid wearing loose clothes that could get caught on any part of the vehicle. Ride defensively in response to weather and road conditions.

#### **Model equipped with Optional Passenger Seat Kit**

Make sure that you and any passenger are wearing an approved helmet, eye protection, and high-visibility protective clothing. Avoid wearing loose clothes that could get caught on any part of the vehicle. Ride defensively in response to weather and road conditions.

## Safety Precautions

### **Helmet**

Should be safety-standard certified, high-visibility, and the correct size for your head.

- Must fit comfortably but securely, with the chin strap fastened
- Face shield with unobstructed field of vision or other approved eye protection

Look for a DOT (Department of Transportation) certification label on any helmet you buy.

### **⚠️ WARNING**

Not wearing a helmet increases the chance of serious injury or death in a crash.

Model not equipped with Optional Passenger Seat Kit

Make sure that you always wear an approved helmet and protective apparel.

Model equipped with Optional Passenger Seat Kit

Make sure that you and any passenger always wear an approved helmet and protective apparel.

**█ Gloves**

Full-finger leather gloves with high abrasion resistance

**█ Boots or Riding Shoes**

Sturdy boots with non-slip soles and ankle protection

**█ Jacket and Pants**

Protective, highly visible, long-sleeved jacket and durable long pants for riding (or a protective suit)

## Riding Precautions

### Break-in Period

During the first 300 miles (500 km) of running, follow these guidelines to ensure your vehicle's future reliability and performance.

- Avoid full-throttle starts and rapid acceleration.
- Avoid hard braking and rapid down-shifts.
- Ride conservatively.

### Brakes

Observe the following guidelines:

- Avoid excessively hard braking and downshifting.
  - ▶ Sudden braking can reduce the vehicle's stability.
  - ▶ Where possible, reduce speed before turning; otherwise you risk sliding out.

## Riding Precautions

- Exercise caution on low traction surfaces.
  - ▶ The tires slip more easily on such surfaces and braking distances are longer.
- Avoid continuous braking.
  - ▶ Repeated braking, such as when descending long, steep slopes can seriously overheat the brakes, reducing their effectiveness. Use engine braking with intermittent use of the brakes to reduce speed.
- For full braking effectiveness, operate both the front and rear brakes together.

## Combined ABS

Your vehicle's rear brake system is linked to the front brake. This means that operating the rear brake pedal applies the rear brake and a portion of the front brake.

Operating the front brake lever applies only the front brake.

For full braking effectiveness, operate both the front and rear brakes together.

This model is also equipped with an Anti-lock Brake System (ABS) designed to help prevent the brakes from locking up during hard braking.

- ABS does not reduce braking distance. In certain circumstances, ABS may result in a longer stopping distance.
- ABS does not function at speeds below 6 mph (10 km/h).
- The brake lever and pedal may recoil slightly when applying the brakes. This is normal.
- Always use the recommended tires to ensure correct ABS operation.



## ■ Engine Braking

Engine braking helps slow your vehicle down when you release the throttle. For further slowing action, downshift to a lower gear. Use engine braking with intermittent use of the brakes to reduce speed when descending long, steep slopes.

## ■ Wet or Rainy Conditions

Road surfaces are slippery when wet, and wet brakes further reduce braking efficiency.

Exercise extra caution when braking in wet conditions.

If the brakes get wet, apply the brakes while riding at low speed to help them dry.

## Parking

- Park on a firm, level surface.
- If you must park on a slight incline or loose surface, park so that the vehicle cannot move or fall over.
- Make sure that high-temperature parts cannot come into contact with flammable materials.
- Do not touch the engine, muffler, brakes and other high-temperature parts until they cool down.
- To reduce the likelihood of theft, always lock the handlebar and remove the key when leaving the vehicle unattended. Use of an anti-theft device is also recommended.

### **| Parking with the Side Stand**

1. Stop the engine.
2. Push the side stand down.
3. Slowly lean the vehicle to the left until its weight rests on the side stand.
4. Turn the handlebar fully to the left.
  - ▶ Turning the handlebar to the right reduces stability and may cause the vehicle to fall.
5. Turn the ignition switch to the OFF position and remove the key.
6. Lock the steering. ➤ P. 30

### **Refueling and Fuel Guidelines**

Follow these guidelines to protect the engine, fuel system and catalytic converter:

- Use only unleaded gasoline.
- Use the recommended octane number. Using lower octane gasoline will result in decreased engine performance.
- Do not use fuels containing a high concentration of alcohol. ➤ P. 106
- Do not use stale or contaminated gasoline or an oil/gasoline mixture.
- Avoid getting dirt or water in the fuel tank.

## Accessories & Modifications

We strongly advise that you do not add any accessories that were not specifically designed or approved for your vehicle by Honda or make modifications to your vehicle from its original design. Doing so can make it unsafe. Modifying your vehicle may also void your warranty and make your vehicle illegal to operate on public roads. Before deciding to install accessories on your vehicle, be certain the modification is safe and legal.

### **⚠️ WARNING**

Improper accessories or modifications can cause a crash in which you can be seriously hurt or killed.

Follow all instructions in this owner's manual regarding accessories and modifications.

Do not pull a trailer with, or attach a sidecar to, your vehicle. Your vehicle was not designed for these attachments, and their use can seriously impair your vehicle's handling.

## Loading

- Model not equipped with Optional Passenger Seat Kit

Never carry a passenger. Your vehicle was not designed to carry a passenger.

- Carrying extra weight affects your vehicle's handling, braking and stability. Always ride at a safe speed for the load you are carrying.
- Avoid carrying an excessive load and keep within specified load limits.  
**Maximum weight capacity** ➤ P. 114
- Tie all luggage securely, evenly balanced, and close to the center of the vehicle.
- Do not place objects near the lights or the muffler.

## WARNING

Model not equipped with Optional Passenger Seat Kit

Overloading, improper loading, or carrying a passenger can cause a crash and you can be seriously hurt or killed.

Model equipped with Optional Passenger Seat Kit

Overloading or improper loading can cause a crash and you can be seriously hurt or killed.

Follow all load limits and other loading guidelines in this manual.

Your vehicle comes from the factory with a single seat for the operator only, but has the capacity (subject to applicable weight ratings) to also carry a passenger with the purchase and installation of the optional Honda Accessory Passenger Seat Kit, or equivalent parts specifically designed for this vehicle.

Do not carry a passenger unless a passenger seat (with seat strap) and footpegs have been securely installed on your vehicle.

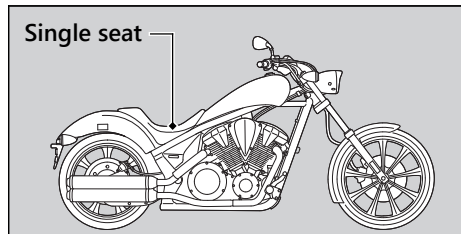
**⚠ WARNING**

Carrying a passenger without a properly designed and installed passenger seat and footpegs can result in serious injury or death to you and/or the passenger.

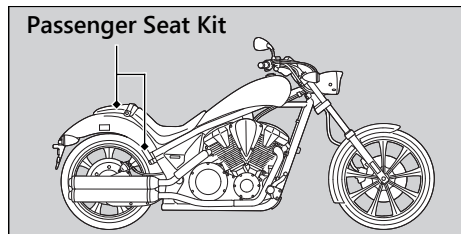
Never carry a passenger without first installing a passenger seat (with seat strap) and footpegs specifically designed for this vehicle. Further, never carry more than one passenger.

## Loading

The vehicle GVWR, weight ratings and tire load capacities can be found on the vehicle.  
Single seat as produced.



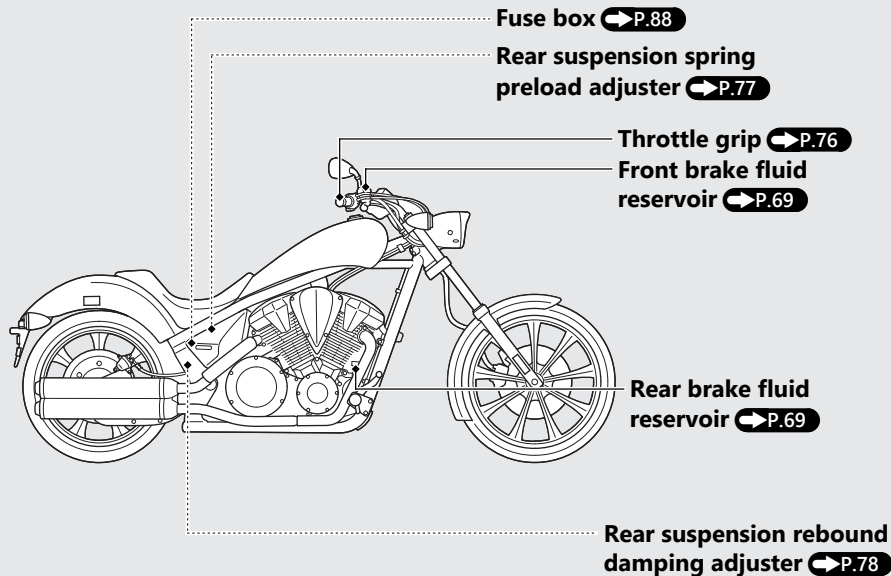
Optional Honda Accessory Passenger Seat Kit shown.



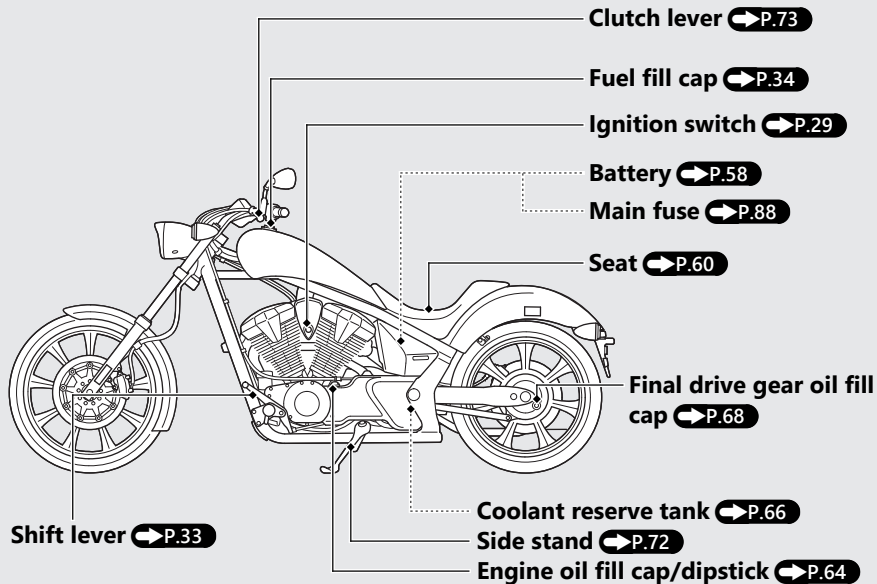
This page intentionally left blank.

# Parts Location

Model not equipped with Optional Passenger Seat Kit

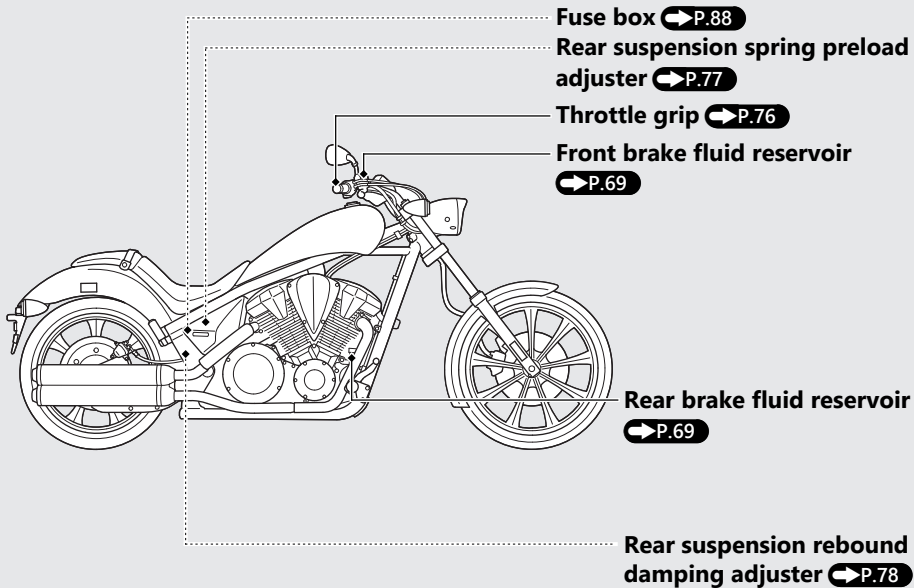


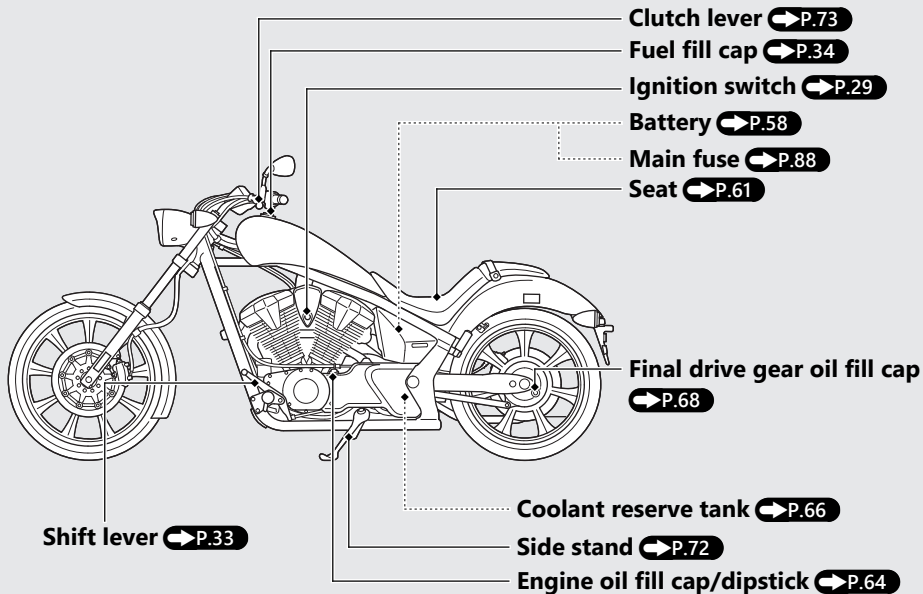




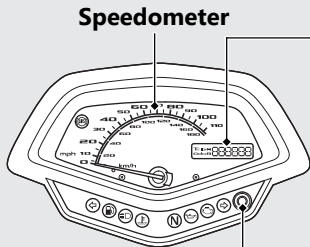
## Parts Location *(Continued)*

Model equipped with Optional Passenger Seat Kit





# Instruments



Speedometer

## Select/Reset button

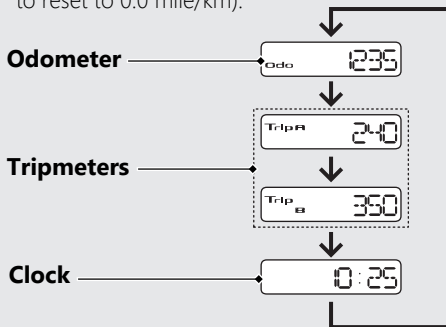
Odometer & tripmeter read in miles.



## Odometer [Odo], Tripmeter [Trip A/B] & Clock (24-hour display)

The select/reset button switches between the odometer, tripmeters and clock.

- Odometer: Total distance ridden.
- Tripmeter: Distance ridden since tripmeter was reset (press and hold select/reset button to reset to 0.0 mile/km).



**To set the clock:**

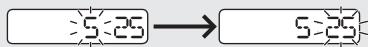
- 1 Turn the ignition switch to the ON position.
- 2 Select the clock.
- 3 Press and hold the select/reset button until the hour digits start flashing.



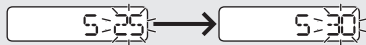
- 4 Press the select/reset button until the desired hour is displayed.



- 5 Press and hold the select/reset button. The minute digits start flashing.



- 6 Press the select/reset button until the desired minute is displayed.



- 7 Press and hold the select/reset button until the display stop flashing. The clock is set.
  - ▶ The time can also be set by turning the ignition switch to the OFF position.
  - ▶ The display will stop flashing automatically and the adjustment will be cancelled if the button is not pressed for about 30 seconds.

# Indicators

If one of these indicators does not come on when it should, have your dealer check for problems.

## **ABS (Anti-lock Brake System) indicator**

Comes on when the ignition switch is turned to the ON position. Goes off when your speed reaches approximately 6 mph (10 km/h).

**If it comes on while riding:**  **P.83**



## **Low oil pressure indicator**

Comes on when the ignition switch is turned to the ON position. Goes off when the engine starts.

**If it comes on while engine is running:**

 **P.82**



## **High coolant temperature indicator**

**If it comes on while riding:**  **P.81**

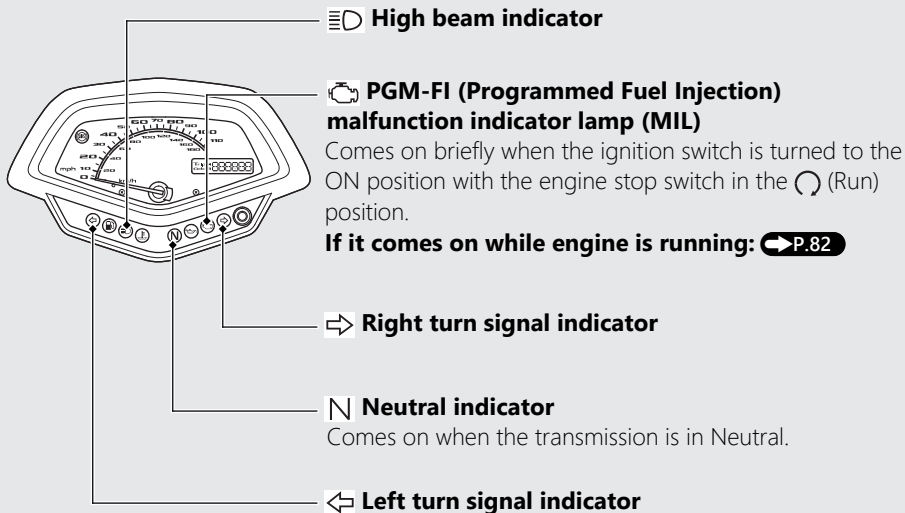


## **Low fuel indicator**

Comes on when there is only reserve fuel left in the fuel tank. Remaining fuel when the indicator comes on: 0.66 US gal (2.5 L)


### **NOTICE**


You should refuel when the indicator comes on. Running out of fuel can cause the engine to misfire, damaging the catalytic converter.



 **High beam indicator**

 **PGM-FI (Programmed Fuel Injection) malfunction indicator lamp (MIL)**

Comes on briefly when the ignition switch is turned to the ON position with the engine stop switch in the  (Run) position.

**If it comes on while engine is running:**  **P.82**

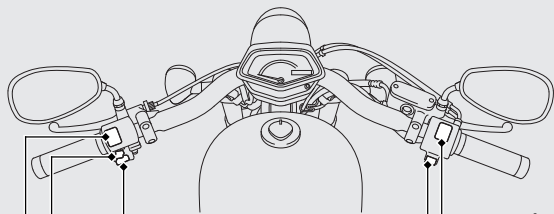
 **Right turn signal indicator**

 **Neutral indicator**

Comes on when the transmission is in Neutral.

 **Left turn signal indicator**

# Switches





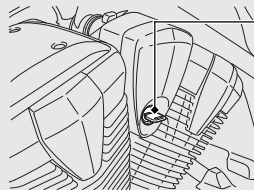
 **Horn button**

 **Turn signal switch**


▶ Pressing the switch turns the turn signal off.


**Headlight dimmer switch**

-  : High beam
-  : Low beam



**Engine stop switch**

Should normally remain in the  (Run) position.

▶ In an emergency, switch to the  (Stop) position (the starter motor will not operate) to stop the engine.

 **Start button**

Headlight turns off when operating the starter motor.



## Ignition switch

Switches the electrical system on/off.

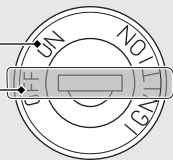
- ▶ Key can only be removed when in the OFF position.

### ON

Turns electrical system on for starting/riding.

### OFF

Turns engine off.

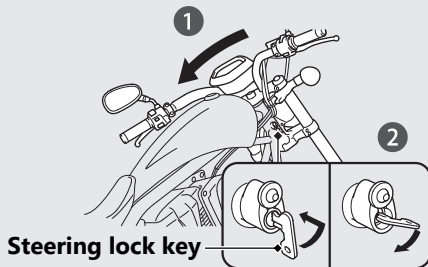


## Switches *(Continued)*

### Steering Lock

Lock the steering when parking to help prevent theft.

A U-shaped wheel lock or similar device is also recommended.



The shape of the steering lock key may differ from the actual key.

### Locking

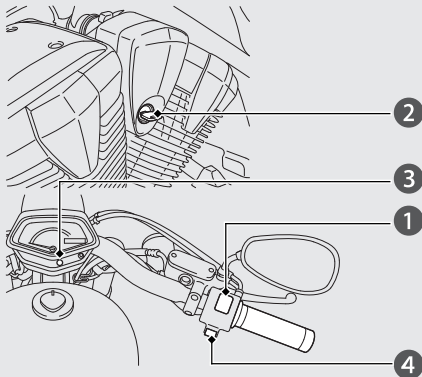
- 1 Turn the handlebar all the way to the left.
- 2 Insert the steering lock key in the steering lock, turn the key 90 degrees counterclockwise. Push and turn the key clockwise.
  - ▶ Jiggle the handlebar if the lock is difficult to engage.
- 3 Remove the key.

### Unlocking

Insert the steering lock key into the steering lock and turn it counterclockwise.



# Starting the Engine

Start your engine using the following procedure, regardless of whether the engine is cold or warm.



## NOTICE

- If the engine does not start within 5 seconds, turn the ignition switch to the OFF position and wait 10 seconds before trying to start the engine again to recover battery voltage.
- Extended fast idling and reving the engine can damage the engine and the exhaust system.
- Snapping the throttle or fast idling for more than about 5 minutes may cause exhaust pipe discoloration.
- The engine will not start if the throttle is fully open.

- 1 Make sure the engine stop switch is in the  (Run) position.
- 2 Turn the ignition switch to the ON position.
- 3 Shift the transmission to Neutral ( indicator comes on). Alternatively, pull in the clutch lever to start your vehicle with the transmission in gear so long as the side stand is raised.
- 4 Press the start button with the throttle completely closed.

## Starting the Engine *(Continued)*

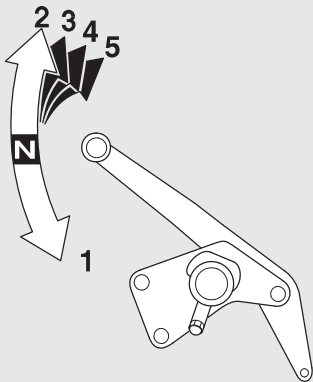
### If the engine does not start:

- ① Open the throttle fully and press the start button for 5 seconds.
- ② Repeat the normal starting procedure.
- ③ If the engine starts, open the throttle slightly if idling is unstable.
- ④ If the engine does not start, wait 10 seconds before trying steps ① & ② again.

### If Engine Will Not Start ➡ P.80

# Shifting Gears

Your vehicle transmission has 5 forward gears in a one-down, four-up shift pattern.



If you put the vehicle in gear with the side stand down, the engine will shut off.

## Recommended Shift Points

### Shifting Up

|                 |                  |
|-----------------|------------------|
| From 1st to 2nd | 12 mph (20 km/h) |
| From 2nd to 3rd | 19 mph (30 km/h) |
| From 3rd to 4th | 25 mph (40 km/h) |
| From 4th to 5th | 31 mph (50 km/h) |

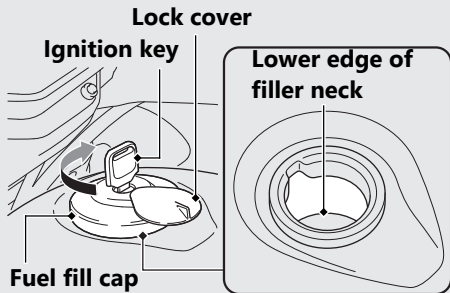
### Shifting Down

|                 |                  |
|-----------------|------------------|
| From 5th to 4th | 22 mph (35 km/h) |
| From 4th to 3rd | 16 mph (25 km/h) |

#### NOTICE

Improper shifting can damage the engine, transmission, and drive train. Also, coasting or towing the vehicle for long distances with the engine off can damage the transmission.

# Refueling



Do not fill with fuel above the lower edge of the filler neck.

**Fuel type:** Unleaded gasoline only

**Recommended fuel octane number:**  
Pump Octane Number (PON) 86 or higher.

**Tank capacity:** 3.38 US gal (12.8 L)

**Refueling and Fuel Guidelines** ➔ P.14

## Opening the Fuel Fill Cap

Open the lock cover, insert the ignition key, and turn it clockwise to remove the fuel fill cap.

## Closing the Fuel Fill Cap

- 1 After refueling, align the fuel fill cap latch with the slot in the filler neck. Push the fuel fill cap into the filler neck until it snaps closed and locks.
- 2 Remove the ignition key and close the lock cover.
  - ▶ The ignition key cannot be removed if the fuel fill cap is not locked.

## ⚠ WARNING

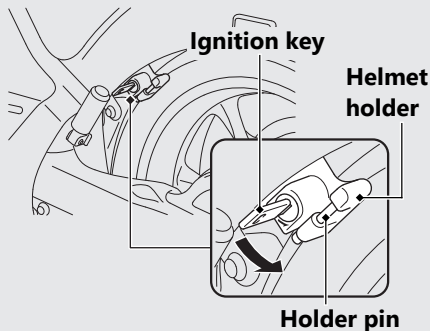
Gasoline is highly flammable and explosive. You can be burned or seriously injured when handling fuel.

- Stop the engine, and keep heat, sparks, and flames away.
- Only handle fuel outdoors.
- Wipe up spills immediately.

# Storage Equipment

## Helmet Holder

The helmet holder is located on the left side below the seat.



## Unlocking

Insert the ignition key and turn it counterclockwise.

## Locking

- 1 Hang your helmet on the holder pin and push it in to lock.
- 2 Remove the ignition key.
  - ▶ Use the helmet holder only when parked.

## **⚠ WARNING**

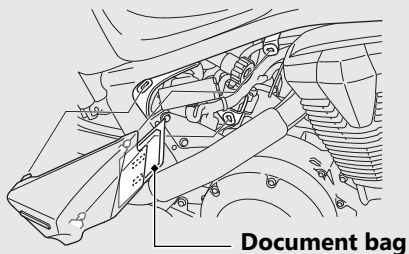
Riding with a helmet attached to the holder can interfere with the rear wheel or suspension and could cause a crash in which you can be seriously hurt or killed.

Use the helmet holder only while parked. Do not ride with a helmet secured by the holder.

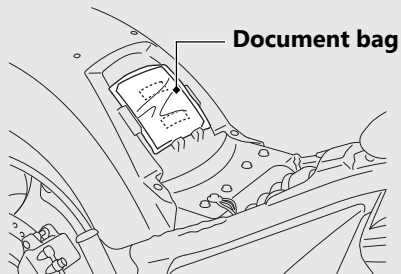
## Storage Equipment *(Continued)*

### Document Bag

Store the owner's manual in the document bag attached to the inside of the right side cover.



Store other documents in the document bag attached to the rear fender under the seat.



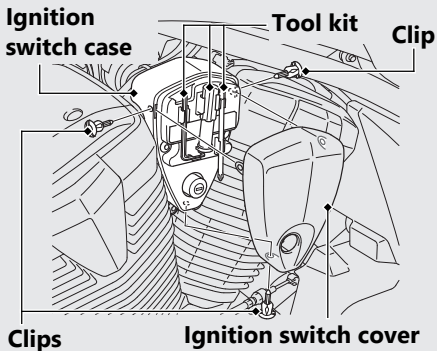
**Removing the Side Cover** ➔ P.63

**Removing the Seat** ➔ P.60



## Tool Kit

The tool kit is stored on the face of the ignition switch case behind the ignition switch cover.



## Removing the Ignition Switch Cover

- 1 Remove the clips. → P.59
- 2 Remove the ignition switch cover.

## Installing the Ignition Switch Cover

Install the parts in the reverse order of removal.

# Maintenance

Please read "Importance of Maintenance" and "Maintenance Fundamentals" carefully before attempting any maintenance. Refer to "Specifications" for service data.

An optional larger tool kit may be available.

Check with your Honda dealer's parts department.

|   |       |                                     |       |
|---|-------|-------------------------------------|-------|
| <b>Importance of Maintenance</b> .....              | P. 39 | <b>Clutch</b> .....                 | P. 73 |
| <b>Maintenance Schedule</b> .....                   | P. 41 | <b>Throttle</b> .....               | P. 76 |
| <b>Maintenance Record</b> .....                     | P. 44 | <b>Other Adjustments</b> .....      | P. 77 |
| <b>Maintenance Fundamentals</b> .....               | P. 45 | Adjusting the Rear Suspension ..... | P. 77 |
| <b>Removing &amp; Installing Body Components</b> .. | P. 58 |                                     |       |
| Battery .....                                       | P. 58 |                                     |       |
| Clip .....  | P. 59 |                                     |       |
| Seat .....  | P. 60 |                                     |       |
| Side Cover .....                                    | P. 63 |                                     |       |
| <b>Engine Oil</b> .....                             | P. 64 |                                     |       |
| <b>Coolant</b> .....                                | P. 66 |                                     |       |
| <b>Final Drive Oil</b> .....                        | P. 68 |                                     |       |
| <b>Brakes</b> .....                                 | P. 69 |                                     |       |
| <b>Side Stand</b> .....                             | P. 72 |                                     |       |

# Importance of Maintenance

## Importance of Maintenance

Keeping your vehicle well-maintained is absolutely essential to your safety and to protect your investment, obtain maximum performance, avoid breakdowns, and reduce air pollution. Maintenance is the owner's responsibility. Be sure to inspect your vehicle before each ride and perform the periodic checks specified in the Maintenance Schedule.

➤ P. 41

### **⚠ WARNING**

Improperly maintaining your vehicle or failing to correct a problem before you ride can cause a crash in which you can be seriously hurt or killed.

Always follow the inspection and maintenance recommendations and schedules in this owner's manual.

For information about the exhaust emission and noise emission requirements of the U.S. Environmental Protection Agency (EPA), and the California Air Resources Board (CARB). ➤ P. 100

**Maintenance, replacement or repair of the emission control devices and systems may be performed by any vehicle repair establishment or individual using parts that are "certified" to EPA standards.**

### Maintenance Safety

Always read the maintenance instructions before you begin each task and make sure that you have the tools, parts, and skills required. We cannot warn you of every conceivable hazard that can arise in performing maintenance. Only you can decide whether or not you should perform a given task.

Follow these guidelines when performing maintenance.

- Stop the engine and remove the key.
- Place your vehicle on a firm, level surface using the side stand or a maintenance stand to provide support.
- Allow the engine, muffler, brakes, and other high-temperature parts to cool before servicing as you can get burned.
- Run the engine only when instructed, and do so in a well-ventilated area.

## Maintenance Schedule








The maintenance schedule specifies the maintenance requirements necessary to ensure safe, dependable performance, and proper emission control.

Maintenance work should be performed in accordance with Honda's standards and specifications by properly trained and equipped technicians. Your dealer meets all of these requirements. All scheduled maintenance is considered a normal owner operating cost and will be charged to you by your dealer. Keeping an accurate maintenance record will help ensure your vehicle is properly maintained.



➤ P. 44

Make sure whoever performs the scheduled maintenance completes the maintenance record. Retain all service documents. If you sell your vehicle, these service documents should be transferred with the vehicle to the new owner.

# Maintenance Schedule

| Items                                  |   | Frequency   | Odometer Reading *1   |     |     |      |      |      |      | Refer to page |      |
|--|---|---|---|-----|-----|------|------|------|------|---------------|------|
|  |   |   | × 1,000 mi  | 0.6 | 4   | 8    | 12   | 16   | 20   |               | 24   |
|  |   |   | × 1,000 km  | 1.0 | 6.4 | 12.8 | 19.2 | 25.6 | 32.0 |               | 38.4 |
| Emission-related Items                 | Fuel Line   |  |   |     |     | I    |      | I    |      | I             | –    |
|  | Throttle Operation  |  |   |     |     | I    |      | I    |      | I             | 76   |
|  | Air Cleaner *2  |   |   |     |     |      | R    |      |      | R             | –    |
|  | Crankcase Breather*3  |   |   | C   | C   | C    | C    | C    | C    | C             | –    |
|  | Spark Plugs   |   |   | I   | R   | I    | R    | I    | R    | –             |      |
|  | Valve Clearance   |  |   | I   |     | I    |      | I    |      | I             | –    |
|  | Engine Oil  |   | Initial = 600 mi (1,000 km) or 1 month: R<br>Regular = Every 8,000 mi (12,800 km) or 12 months: R |     |     |      |      |      |      | –             |      |
|  | Engine Oil Filter   |   |   | R   |     | R    |      | R    |      | R             | –    |
|  | Engine Idle Speed   |  |   | I   | I   | I    | I    | I    | I    | I             | –    |
|  | Radiator Coolant *4   |   |   |     |     | I    |      | I    |      | R             | 66   |
|  | Cooling System  |  |   |     |     | I    |      | I    |      | I             | –    |
| Secondary Air Supply System            |  |   |   |     | I   |      | I    |      | I    | –             |      |
| Evaporative Emission Control System *5 |  |   |   |     |     | I    |      |      | I    | –             |      |

## Maintenance Level

-  : Intermediate. We recommend service by your dealer, unless you have the necessary tools and are mechanically skilled. Procedures are provided in an official Honda Service Manual (📖 P. 107).
-  : Technical. In the interest of safety, have your vehicle serviced by your dealer.

## Maintenance Legend

- I** : Inspect (clean, adjust, lubricate, or replace, if necessary)
- C** : Clean
- R** : Replace

| Items                      |                        | Frequency | Odometer Reading *1 |     |     |      |      |      |      | Refer to page |      |
|----------------------------|------------------------|-----------|---------------------|-----|-----|------|------|------|------|---------------|------|
|                            |                        |           | × 1,000 mi          | 0.6 | 4   | 8    | 12   | 16   | 20   |               | 24   |
|                            |                        |           | × 1,000 km          | 1.0 | 6.4 | 12.8 | 19.2 | 25.6 | 32.0 |               | 38.4 |
| Non-Emission-Related Items | Final Drive Oil        |           |                     |     | I   |      | I    |      | R    | 68            |      |
|                            | Brake Fluid *4         |           |                     | I   | I   | R    | I    | I    | R    | 69            |      |
|                            | Brake Pads Wear        |           |                     | I   | I   | I    | I    | I    | I    | 70            |      |
|                            | Brake System           |           | I                   |     | I   |      | I    |      | I    | 69            |      |
|                            | Brake Light Switch     | 🔧         |                     |     | I   |      | I    |      | I    | 71            |      |
|                            | Headlight Aim          | 🔧         |                     |     | I   |      | I    |      | I    | –             |      |
|                            | Clutch System          |           | I                   | I   | I   | I    | I    | I    | I    | 73            |      |
|                            | Side Stand             |           |                     |     | I   |      | I    |      | I    | 72            |      |
|                            | Suspension             | 🔧         |                     |     | I   |      | I    |      | I    | 77            |      |
|                            | Nuts, Bolts, Fasteners | 🔧         | I                   |     | I   |      | I    |      | I    | –             |      |
|                            | Wheels/Tires           | 🔧         |                     |     | I   |      | I    |      | I    | 54            |      |
| Steering Head Bearings     | 🔧                      | I         |                     | I   |     | I    |      | I    | –    |               |      |

**Notes:**

- \*1 : At higher odometer readings, repeat at the frequency interval established here.
- \*2 : Service more frequently when riding in unusually wet or dusty areas.
- \*3 : Service more frequently if the vehicle is ridden often at full throttle or in the rain.
- \*4 : Replace every 2 years, or at indicated odometer intervals, whichever comes first. Replacement requires mechanical skill.
- \*5 : 50 STATE (meets California).

# Maintenance Record

| <b>Distance</b>           | <b>Odometer</b> | <b>Date</b> | <b>Performed By:</b> | <b>Notes</b> |
|---------------------------|-----------------|-------------|----------------------|--------------|
| 600 miles (1,000 km)      |                 |             |                      |              |
| 4,000 miles (6,400 km)    |                 |             |                      |              |
| 8,000 miles (12,800 km)   |                 |             |                      |              |
| 12,000 miles (19,200 km)  |                 |             |                      |              |
| 16,000 miles (25,600 km)  |                 |             |                      |              |
| 20,000 miles (32,000 km)  |                 |             |                      |              |
| 24,000 miles (38,400 km)  |                 |             |                      |              |
| 28,000 miles (44,800 km)  |                 |             |                      |              |
| 32,000 miles (51,200 km)  |                 |             |                      |              |
| 36,000 miles (57,600 km)  |                 |             |                      |              |
| 40,000 miles (64,000 km)  |                 |             |                      |              |
| 44,000 miles (70,400 km)  |                 |             |                      |              |
| 48,000 miles (76,800 km)  |                 |             |                      |              |
| 52,000 miles (83,200 km)  |                 |             |                      |              |
| 56,000 miles (89,600 km)  |                 |             |                      |              |
| 60,000 miles (96,000 km)  |                 |             |                      |              |
| 64,000 miles (102,400 km) |                 |             |                      |              |
| 68,000 miles (108,800 km) |                 |             |                      |              |



## Pre-ride Inspection

To ensure safety, it is your responsibility to perform a pre-ride inspection and make sure that any problem you find is corrected. A pre-ride inspection is a must, not only for safety, but because having a breakdown, or even a flat tire, can be a major inconvenience.

Check the following items before you get on your vehicle:

- Tire tread wear and air pressures are within limits ➤ P. 54
- Lights, horn, and turn signals operate normally

### Model not equipped with Optional Passenger Seat Kit

Check the following items if you are carrying cargo:

### Model equipped with Optional Passenger Seat Kit

Check the following items if you are carrying a passenger or cargo:

- Combined weight is within load limits  
➤ P. 114
- Cargo is secured properly
- Suspension is adjusted to suit load ➤ P. 77

Check the following items after you get on your vehicle:

- Throttle action moves smoothly without binding ➤ P. 76
- Brake lever and pedal operate normally
- Refuel when needed ➤ P. 14, ➤ P. 34
- Engine stop switch functions properly  
➤ P. 28

## Maintenance Fundamentals

Check the following items at regular intervals:

- Oil level is between the upper and lower level marks ➤ P. 64

- Brake fluid level is

Front: above the LOWER level mark ➤ P. 69

Rear: between the UPPER and LOWER level marks ➤ P. 69

- Engine coolant level is between the UPPER and LOWER level marks ➤ P. 66

- Side stand functions properly ➤ P. 72

## Periodic Checks

You should also perform other periodic maintenance checks at least once a month regardless of how often you ride, or more often if you ride frequently.

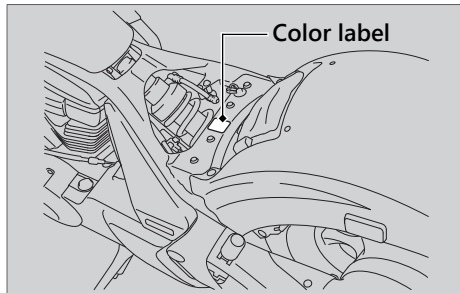
Also, check the odometer reading against the Maintenance Schedule and perform all maintenance that is due. ➤ P. 42

|                    |  |
|--------------------|--|
| Tires and wheels   | Check the air pressure (➤ P. 54), examine tread for wear and damage (➤ P. 54), and check the wheels for damage.  |
| Fluid levels       | Check the engine oil level (➤ P. 64), engine coolant level (➤ P. 66), final drive oil level (➤ P. 68), and brake fluid level (➤ P. 69).  |
| Lights             | Check that the headlight, brake light, taillight, turn signals, and license plate light are working properly.  |
| Controls           | Check the freeplay of the throttle grip (➤ P. 76), and clutch lever (➤ P. 73). Check the front brake lever and rear brake pedal operate properly.  |
| Fuses              | Check that you have a full supply of spare fuses.  |
| Nuts & bolts       | Check the major nuts and bolts, and tighten as needed.   |
| Crankcase breather | Service the crankcase breather more frequently if your vehicle is ridden in the rain or often at full throttle. Service the breather if you can see deposits in the transparent section of the drain tube (➤ P. 54). |

### Replacing Parts

Always use Honda Genuine Parts or their equivalents to ensure reliability and safety. When ordering colored components, specify the model name, color, and code mentioned on the color label.

The color label is attached to the frame under the seat.  P. 60



### **WARNING**

Installing non-Honda parts may make your vehicle unsafe and cause a crash in which you can be seriously hurt or killed.

Always use Honda Genuine Parts or equivalents that have been designed and approved for your vehicle.

## Battery

Your vehicle has a maintenance-free type battery. You do not have to check the battery electrolyte level or add distilled water. Clean the battery terminals if they become dirty or corroded.

Do not remove the battery cap seals. There is no need to remove the cap when charging.

### NOTICE

An improperly disposed of battery can be harmful to the environment and human health. Always confirm local regulations for proper battery disposal instruction.

### What to do in an emergency

If any of the following occur, immediately see your doctor.

- Electrolyte splashes into your eyes:
  - ▶ Wash your eyes repeatedly with cool water for at least 15 minutes. Using water under pressure can damage your eyes.

- Electrolyte splashes onto your skin:
  - ▶ Remove affected clothing and wash your skin thoroughly using water.
- Electrolyte splashes into your mouth:
  - ▶ Rinse mouth thoroughly with water, and do not swallow.

## WARNING

The battery gives off explosive hydrogen gas during normal operation.

A spark or flame can cause the battery to explode with enough force to kill or seriously hurt you.

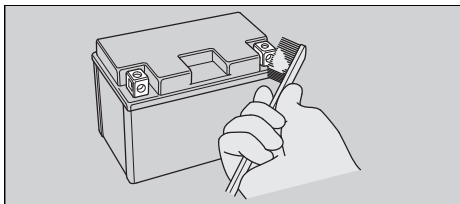
Wear protective clothing and a face shield, or have a skilled mechanic do the battery servicing.

**WARNING:** Battery posts, terminals, and related accessories contain lead and lead compounds.

**Wash your hands after handling.**

### **| Cleaning the Battery Terminals**

1. Remove the battery. ➤ P. 58
2. If the terminals are starting to corrode and are coated with a white substance, wash with warm water and wipe clean.
3. If the terminals are heavily corroded, clean and polish the terminals with a wire brush or sandpaper. Wear safety glasses.



4. After cleaning, reinstall the battery. The battery has a limited life span. Consult your dealer about when you should replace the battery. Always replace the battery with another maintenance-free battery of the same type.

### **| Charging**

If you use electrical accessories that drain the battery or you do not ride frequently, we recommend that you charge the battery every 30 days using a charger designed specifically for your Honda, which can be purchased from your dealer. Read the information that came with your battery charger and follow the instructions on the battery. Avoid using an automobile-type battery charger, as these can overheat a motorcycle battery and cause permanent damage.

Make sure the ignition switch is in the OFF position before charging the battery.

#### **NOTICE**

Improper charging can damage the battery. If you can't charge the battery or it appears unable to hold a charge, contact your dealer.

**NOTICE**

Jump starting using an automobile battery can damage your vehicle's electrical system and is not recommended. Bump starting is also not recommended.

**NOTICE**

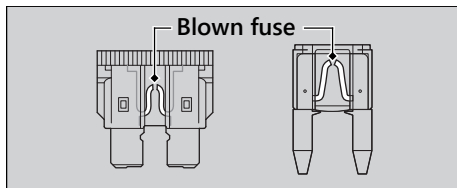
Installing non-Honda electrical accessories can overload the electrical system, discharging the battery and possibly damaging the system.

**Fuses**

Fuses protect the electrical circuits on your vehicle. If something electrical on your vehicle stops working, check for and replace any blown fuses. ➔ P. 88

**Inspecting and Replacing Fuses**

Turn the ignition switch to the OFF position to remove and inspect fuses. If a fuse is blown, replace with a fuse of the same rating. For fuse ratings, see "Specifications." ➔ P. 116

**NOTICE**

Replacing a fuse with one that has a higher rating greatly increases the chance of damage to the electrical system.

If a fuse fails repeatedly, you likely have an electrical fault. Have your vehicle inspected by your dealer.

### Engine Oil

Engine oil consumption varies and oil quality deteriorates according to riding conditions and time elapsed.

Check the engine oil level regularly, and add the recommended engine oil if necessary. Dirty oil or old oil should be changed as soon as possible.

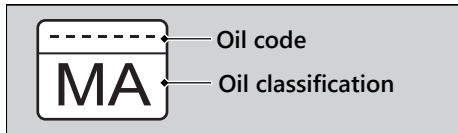
#### Selecting the Engine Oil

For recommended engine oil, see “Specifications.” P. 115

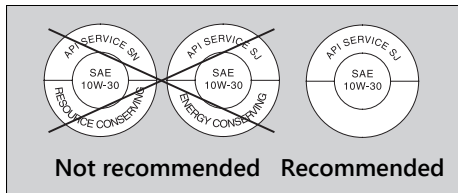
If you use non-Honda engine oil, check the label to make sure that the oil satisfies all of the following standards:

- JASO T 903 standard<sup>\*1</sup>: MA
- SAE standard<sup>\*2</sup>: 10W-30
- API classification<sup>\*3</sup>: SJ or higher

- <sup>\*1</sup>. The JASO T 903 standard is an index for engine oils for 4-stroke motorcycle engines. There are two classes: MA and MB. For example, the following label shows the MA classification.



- <sup>\*2</sup>. The SAE standard grades oils by their viscosity.
- <sup>\*3</sup>. The API classification specifies the quality and performance rating of engine oils. Use SJ or higher oils, excluding oils marked as “Energy Conserving” or “Resource Conserving” on the circular API service symbol.





## Brake Fluid

Do not add or replace brake fluid, except in an emergency. Use only fresh brake fluid from a sealed container. If you do add fluid, have the brake system serviced by your dealer as soon as possible.

### NOTICE

Brake fluid can damage plastic and painted surfaces.  
Wipe up spills immediately and wash thoroughly.

### Recommended brake fluid:

Honda DOT 4 Brake Fluid or equivalent

## Final Drive Oil

### Recommended final drive oil:

Hypoid gear oil SAE 80

## Recommended Coolant

Pro Honda HP Coolant is a pre-mixed solution of antifreeze and distilled water.

### Concentration:

50% antifreeze and 50% distilled water

A concentration of antifreeze below 40% will not provide proper corrosion and cold temperature protection.  
A concentration of up to 60% will provide better protection in colder climates.

### NOTICE

Using coolant not specified for aluminum engines or tap/mineral water can cause corrosion.

### Crankcase Breather

Service more frequently when riding in rain, at full throttle, or after the vehicle is washed or overturned. Service if the deposit level can be seen in the transparent section of the drain tube.

If the drain tube overflows, the air filter may become contaminated with engine oil, causing poor engine performance.

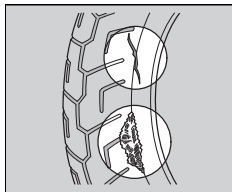
### Tires (Inspecting/Replacing)

#### Checking the Air Pressure

Visually inspect your tires and use an air pressure gauge to measure the air pressure at least once a month or any time you think the tires look low. Always check air pressure when your tires are cold.

#### Inspecting for Damage

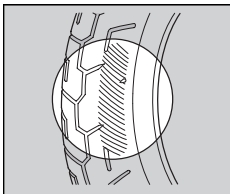
Inspect the tires for cuts, slits, or cracks that expose fabric or cords, or nails or other foreign objects embedded in the side of the tire or the tread.



Also inspect for any unusual bumps or bulges in the side walls of the tires.

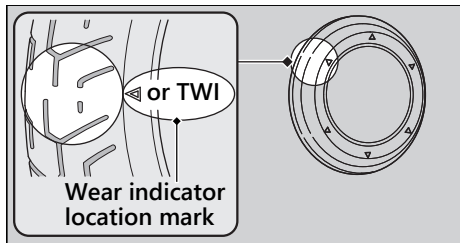
## Inspecting for Abnormal Wear

Inspect the tires for signs of abnormal wear on the contact surface.



## Inspecting Tread Depth

Inspect the tread wear indicators. If they become visible, replace the tires immediately. For safe riding, you should replace the tires when the minimum tread depth is reached.



## **⚠️ WARNING**

Riding on tires that are excessively worn or improperly inflated can cause a crash in which you can be seriously hurt or killed.

Follow all instructions in this owner's manual regarding tire inflation and maintenance.

## Maintenance Fundamentals

Have your tires replaced by your dealer. For recommended tires, air pressure, and minimum tread depth, see "Specifications."

➤ P. 115

Follow these guidelines whenever you replace tires:

- Use the recommended tires or their equivalents of the same size, construction, speed rating, and load range.
- Have the wheel balanced with Honda Genuine balance weights or equivalent after the tire is installed.
- Do not install a tube inside a tubeless tire on this vehicle. Excessive heat build-up can cause the tube to burst.
- Use only tubeless tires on this vehicle. The rims are designed for tubeless tires, and during hard acceleration or braking, a tube-type tire could slip on the rim and cause the tire to rapidly deflate.

### **WARNING**

Installing improper tires on your vehicle can adversely affect handling and stability, and can cause a crash in which you can be seriously hurt or killed.

Always use the size and type of tires recommended in this owner's manual.

## Tire Service Life

The service life of your tires is dependent on many factors, including, but not limited to, riding habits, road conditions, vehicle loading, tire air pressure, maintenance history, speed, and environmental conditions (even when the tires are not in use).

In addition to your regular inspections and maintenance, it is recommended that you have annual inspections performed once the tires reach 5 years old. It is also recommended that all tires be removed from service after 10 years from the date of manufacture, regardless of their condition or state of wear.

The last four digits of the TIN (tire identification number) indicate the date of manufacture.

## Tire Identification Number (TIN)

The tire identification number (TIN) is a group of numbers and letters located on the sidewall of the tire.

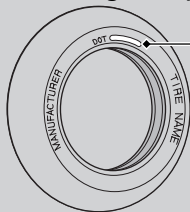
①      ②      ③

### DOT XXXX XXXX 22 09

DOT: This indicates that the tire meets all requirements of the U.S. Department of Transportation.

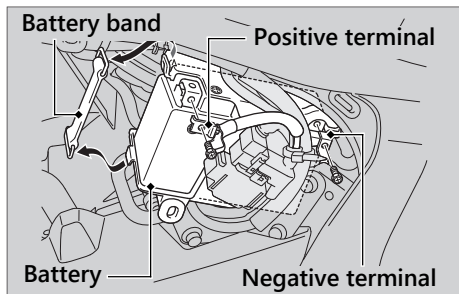
- ① XXXX: Factory code
- ② XXXX: Tire type code
- ③ 22 09: Date of manufacture (week & year).  
Example: week 22 in year 09.

### Tire Labeling Example



Tire identification number (TIN)

## Battery



### Removal

Make sure the ignition switch is in the OFF position.

1. Remove the left side cover. ➤ P. 63
2. Remove the battery band.
3. Disconnect the negative  $\ominus$  terminal from the battery.
4. Disconnect the positive  $\oplus$  terminal from the battery.
5. Remove the battery, taking care not to drop the terminal nuts.

### Installation

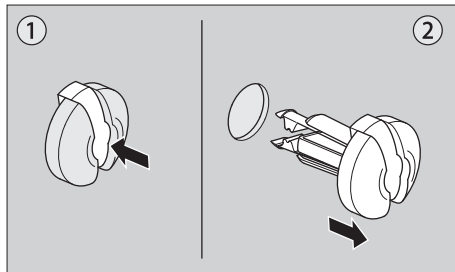
Install the parts in the reverse order of removal. Always connect the positive  $\oplus$  terminal first. Make sure bolts and nuts are tight.

Make sure the clock information is correct after the battery is reconnected. ➤ P. 25

For proper handling of the battery, see  
 "Maintenance Fundamentals." ► P. 49  
 "Battery Goes Dead." ► P. 85

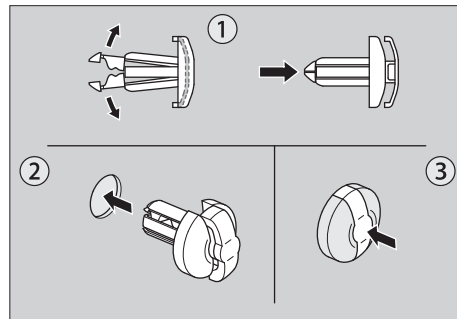
## Clip

### Removal



1. Press down on the center pin to release the lock.
2. Pull the clip out of the hole.

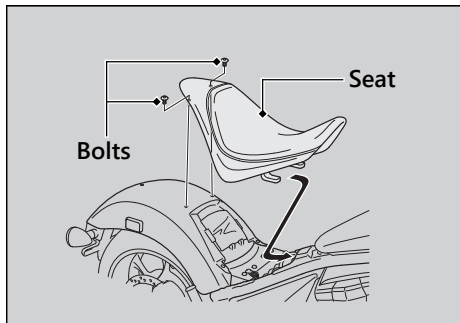
### Installation



1. Slightly open the retaining pawls and then push them out.
2. Insert the clip into the hole.
3. Press down on the center pin to lock the clip.

## Seat

Model not equipped with Optional Passenger Seat Kit



### Removal

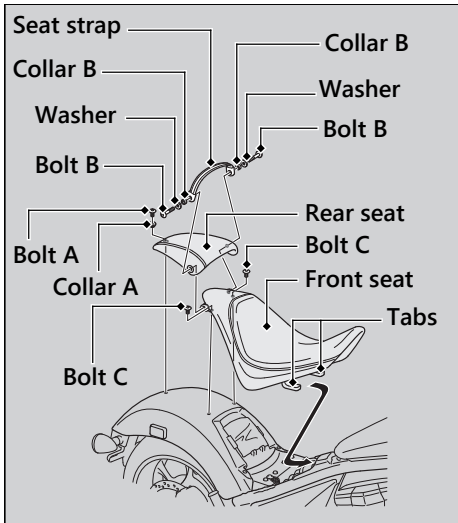
1. Remove the bolts.
2. Pull the seat back and up.

### Installation

1. Insert the tabs into the recess under the frame.
2. Install and tighten the bolts.
  - Be careful not to scratch the rear fender during seat installation or removal.



Model equipped with Optional Passenger Seat Kit



## Removal

1. Remove the bolt A and collar A.
2. Remove the seat strap by removing the bolts B, washers and collars B.
3. Remove the rear seat.
4. Remove the bolts C.
5. Pull the front seat back and up.

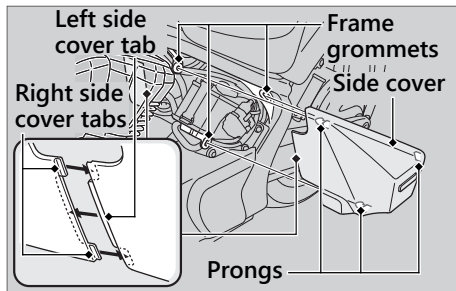
## Installation

1. Insert the tabs into the recess under the frame.
2. Install and tighten the bolts C.
3. Install the rear seat.
4. Install the collars B, washers, bolts B and seat strap to the rear seat. Tighten the bolts B.

**Torque:** 16 lbf·ft (22 N·m, 2.2 kgf·m)

5. Install the bolt A and collar A.
6. Tighten the bolts securely.
  - Be careful not to scratch the rear fender during seat installation or removal.
  - Be careful not to get the seat caught between the stay and bolts while installing the seat.

## Side Cover



The right and left side covers can be removed in the same manner.

### Removal

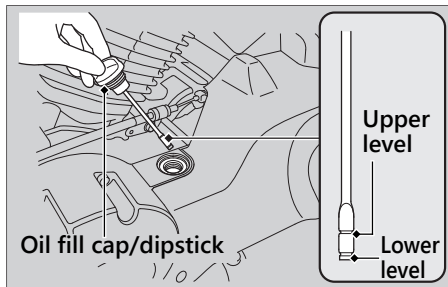
1. Carefully pull the side cover out until the prongs are clear of the frame grommets.
2. Remove the side cover.

### Installation

1. Align the left side cover tab with the right side cover tabs.
2. Position the side cover so the prongs are aligned with the frame grommets.
3. Push the prongs in.

## Checking the Engine Oil

1. If the engine is cold, idle the engine for 3 to 5 minutes.
2. Turn the ignition switch to the OFF position and wait for 2 to 3 minutes.
3. Place your vehicle in an upright position on a firm, level surface.
4. Remove the oil fill cap/dipstick and wipe it clean.
5. Insert the oil fill cap/dipstick until it seats, but don't screw it in.
6. Check that the oil level is between the upper level and lower level marks on the oil fill cap/dipstick.
7. Securely install the oil fill cap/dipstick.



## Adding Engine Oil

---

If the engine oil is below or near the lower level mark, add the recommended engine oil.

► P. 52, ► P. 115

1. Remove the oil fill cap/dipstick. Add the recommended oil until it reaches the upper level mark.
  - Place your vehicle in an upright position on a firm, level surface when checking the oil level.
  - Do not overfill above the upper level mark.
  - Make sure no foreign objects enter the oil filler opening.
  - Wipe up any spills immediately.

2. Securely reinstall the oil fill cap/dipstick.

### NOTICE

Overfilling with oil or operating with insufficient oil can cause damage to your engine. Do not mix different brands and grades of oil. They may affect lubrication and clutch operation.

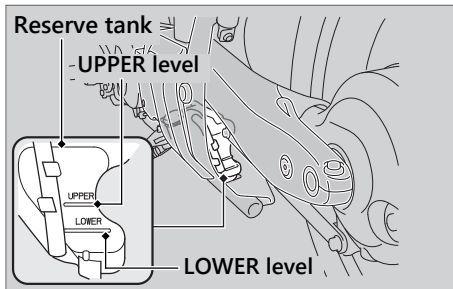
For the recommended oil and oil selection guidelines, see “Maintenance Fundamentals.”

► P. 52

## Checking the Coolant

Check the coolant level in the reserve tank while the engine is cold.

1. Place your vehicle on a firm, level surface.
2. Hold your vehicle in an upright position.
3. Check that the coolant level is between the UPPER level and LOWER level marks on the reserve tank.

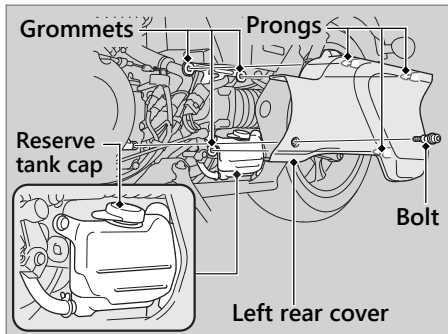


If the coolant level is dropping noticeably or the reserve tank is empty, you likely have a serious leak. Have your vehicle inspected by your dealer.

## Adding Coolant

If the coolant level is below the LOWER level mark, add the recommended coolant (► P. 53) until the level reaches the UPPER level mark.

Add fluid only from the reserve tank cap and do not remove the radiator cap.



1. Remove the bolt.
2. Carefully pull the left rear cover out until the prongs are clear of the grommets.
3. Remove the left rear cover.
4. Remove the reserve tank cap and add fluid while monitoring the coolant level.
  - Do not overfill above the UPPER level mark.
  - Make sure no foreign objects enter the reserve tank opening.
5. Securely reinstall the reserve tank cap.
6. Install the parts in the reverse order of removal.

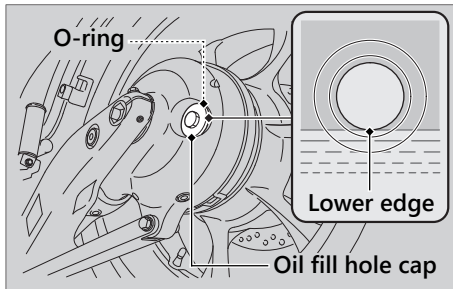
### **⚠ WARNING**

Removing the radiator cap while the engine is hot can cause the coolant to spray out, potentially scalding you.

Always let the engine and radiator cool down before removing the radiator cap.

## Checking the Final Drive Oil

1. Place your vehicle on the side stand on a level surface.
2. Remove the oil fill hole cap and O-ring.
3. Check the oil level. It should be flush with the lower edge of the oil fill hole.



## Adding Final Drive Oil

If the final drive oil level is low, check for oil leaks. Add the recommended final drive oil (P. 53) until it reaches the lower edge of the opening.

1. Pour the final drive oil into the oil fill hole until it reaches the lower edge of the opening.
  - ▶ Do not over fill above the lower edge of oil fill hole.
  - ▶ Make sure no foreign objects enter the oil fill hole.
  - ▶ Wipe up any spills immediately.
2. Install a new O-ring onto the oil fill hole cap. Tighten the oil fill hole cap.

**Torque:** 9 lbf·ft (12 N·m, 1.2 kgf·m)

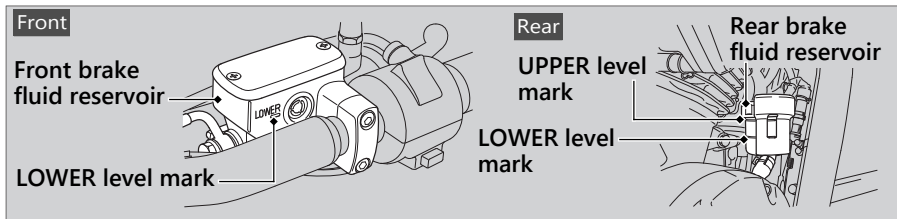


## Checking Brake Fluid

1. Place your vehicle in an upright position on a firm, level surface.
2. **Front** Check that the brake fluid reservoir is horizontal and that the fluid level is above the LOWER level mark.
3. **Rear** Check that the brake fluid reservoir is horizontal and that the level is between the LOWER level and UPPER level marks.

If the brake fluid level in either reservoir is below the LOWER level mark or the brake lever and pedal freeplay becomes excessive, inspect the brake pads for wear.

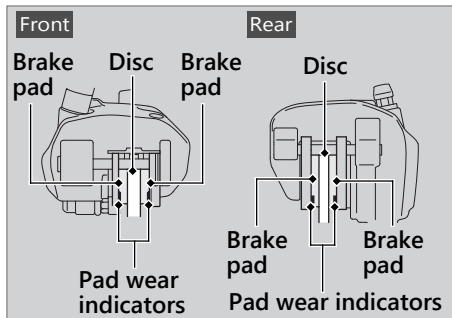
If the brake pads are not worn, you most likely have a leak. Have your vehicle inspected by your dealer.



## Inspecting the Brake Pads

Check the condition of the brake pad wear indicators.

The pads need to be replaced if a brake pad is worn to the indicator.



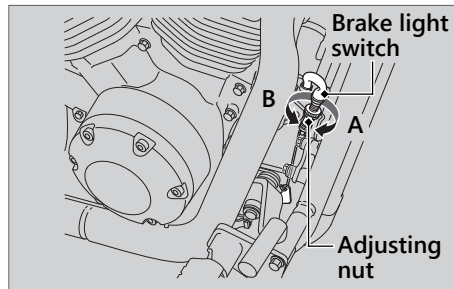
1. **Front** Inspect the brake pads from the bottom of the brake caliper.
2. **Rear** Inspect the brake pads from the rear right of the vehicle.

If necessary, have the pads replaced by your dealer.

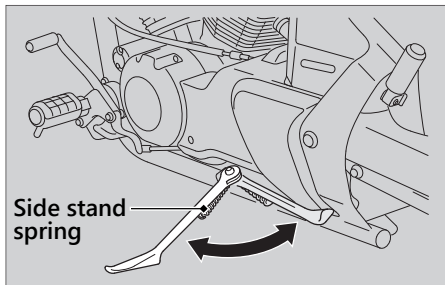
Always replace both left and right brake pads at the same time.

## Adjusting the Brake Light Switch

Check the operation of the brake light switch. Hold the brake light switch and turn the adjusting nut in the direction A if the switch operates too late, or turn the nut in the direction B if the switch operates too soon.



## Checking the Side Stand



1. Check that the side stand operates smoothly. If the side stand is stiff or squeaky, clean the pivot area and lubricate the pivot bolt with clean grease.
2. Check the spring for damage or loss of tension.
3. Sit on the vehicle, shift the transmission to Neutral, and raise the side stand.

4. Start the engine, pull the clutch lever in, and shift the transmission into gear.
5. Lower the side stand all the way. The engine should stop as you lower the side stand. If the engine doesn't stop, have your vehicle inspected by your dealer.

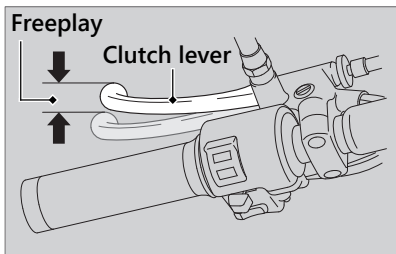
## Checking the Clutch

### Checking the Clutch Lever Freeplay

Check the clutch lever freeplay.

#### Freeplay at the clutch lever:

3/8 - 13/16 in (10 - 20 mm)



Check the clutch cable for kinks or signs of wear. If necessary, have it replaced by your dealer.

Lubricate the clutch cable with a commercially available cable lubricant to prevent premature wear and corrosion.

#### NOTICE

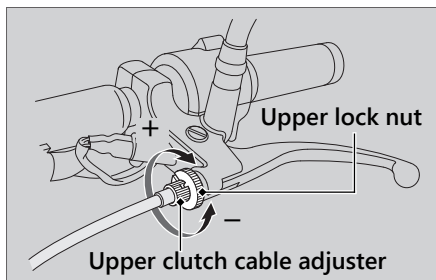
Improper freeplay adjustment can cause premature clutch wear.

## Adjusting the Clutch Lever Freeplay

### Upper Adjustment

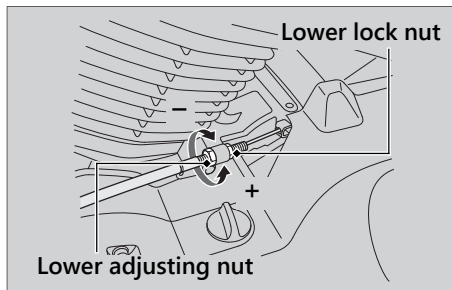
Attempt adjustment with the upper clutch cable adjuster first.

1. Loosen the upper lock nut.
2. Turn the upper clutch cable adjuster until the freeplay is  $3/8 - 13/16$  in (10 - 20 mm).
3. Tighten the upper lock nut and check the freeplay again.



**Clutch** ► Adjusting the Clutch Lever Freeplay**Lower Adjustment**

If the upper clutch cable adjuster is threaded out near its limit, or the correct freeplay cannot be obtained, attempt adjustment with the lower clutch cable adjusting nut.



1. Loosen the upper lock nut and turn the upper clutch cable adjuster all the way in to provide maximum freeplay. Tighten the upper lock nut.
2. Loosen the lower lock nut.
3. Turn the lower adjusting nut until the clutch lever freeplay is  $3/8 - 13/16$  in (10 - 20 mm).
4. Tighten the lower lock nut and check the clutch lever freeplay.
5. Start the engine, pull the clutch lever in, and shift into gear. Make sure the engine does not stall and the vehicle does not creep. Gradually release the clutch lever and open the throttle. Your vehicle should move smoothly and accelerate gradually.

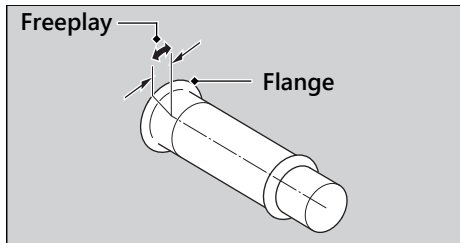
If proper adjustment cannot be obtained or the clutch does not work correctly, see your dealer.

## Checking the Throttle

With the engine off, check that the throttle rotates smoothly from fully closed to fully open in all steering positions and throttle freeplay is correct. If the throttle does not move smoothly or close automatically, or if the cable is damaged, have the vehicle inspected by your dealer.

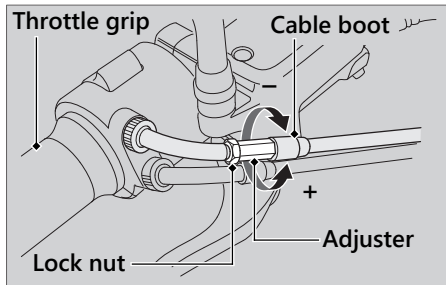
### Freeplay at the throttle grip flange:

1/16 - 1/4 in (2 - 6 mm)



## Adjusting the Throttle Freeplay

1. Slide the cable boot.
2. Loosen the lock nut.
3. Turn the adjuster until the freeplay is 1/16 - 1/4 in (2 - 6 mm).
4. Tighten the lock nut, return the cable boot, and inspect the throttle action again.



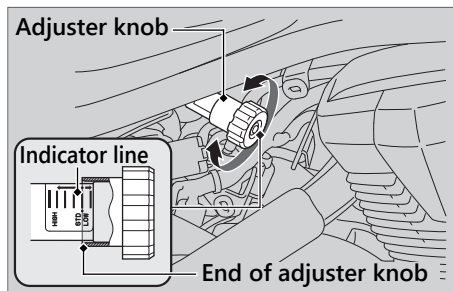


### Adjusting the Rear Suspension

#### Spring Preload

You can adjust the spring preload by the adjuster knob to suit the load or the road surface.

1. Remove the right side cover. ➤ P. 63
2. Turn the adjuster knob clockwise to increase spring preload (hard), or turn counterclockwise to decrease spring preload (soft). The standard position is 6 clicks from the minimum setting (the first click is zero).



#### NOTICE

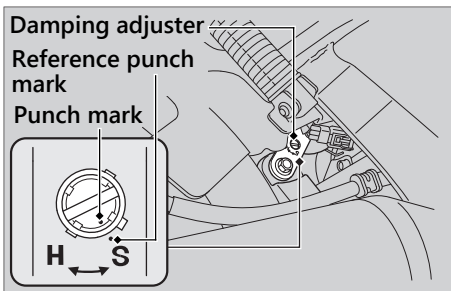
Do not turn the adjuster beyond its limits.

#### NOTICE

The rear shock absorber damper unit contains high pressure nitrogen gas. Do not attempt to disassemble, service, or improperly dispose of the damper. See your dealer.

## Rebound Damping

You can adjust the rebound damping by the adjuster to suit the load or the road surface. Turn clockwise to increase rebound damping (hard), or turn counterclockwise to decrease rebound damping (soft). The standard position is 3/4 turns from the maximum setting so that the punch mark on the adjuster aligns with the reference punch mark.



### NOTICE

Do not turn the adjuster beyond its limits.

### NOTICE

The rear shock absorber damper unit contains high pressure nitrogen gas. Do not attempt to disassemble, service, or improperly dispose of the damper. See your dealer.

# Troubleshooting

|   |       |
|---|-------|
| <b>Engine Will Not Start</b> .....                                  | P. 80 |
| <b>Overheating (High coolant temperature indicator is on)</b> ..... | P. 81 |
| <b>Warning Indicators On or Flashing</b> .....                      | P. 82 |
| Low Oil Pressure Indicator .....                                    | P. 82 |
| PGM-FI (Programmed Fuel Injection)                                  |       |
| Malfunction Indicator Lamp (MIL).....                               | P. 82 |
| ABS (Anti-lock Brake System) Indicator .....                        | P. 83 |
| <b>Tire Puncture</b> .....  | P. 84 |
| <b>Electrical Trouble</b> .....                                     | P. 85 |
| Battery Goes Dead .....   | P. 85 |
| Burned-out Light Bulb.....  | P. 85 |
| Blown Fuse .....  | P. 88 |

## Starter Motor Operates But Engine Does Not Start

---


Check the following items:

- Check the correct engine starting sequence. ➔ P. 31
- Check that there is gasoline in the fuel tank.
- Check if the PGM-FI malfunction indicator lamp (MIL) is on.
  - ▶ If the indicator lamp is on, contact your dealer as soon as possible.

## Starter Motor Does Not Operate

---

Check the following items:

- Check the correct engine starting sequence. ➔ P. 31
- Make sure engine stop switch is in the  (Run) position. ➔ P. 28
- Check for a blown fuse. ➔ P. 88
- Check for a loose battery connection (➔ P. 58) or battery terminal corrosion (➔ P. 49).
- Check the condition of the battery. ➔ P. 85

If the problem continues, have your vehicle inspected by your dealer.

## Overheating (High coolant temperature indicator is on)

The engine is overheating when the following occurs:

- High coolant temperature indicator comes on.
- Acceleration becomes sluggish.

If this occurs, pull safely to the side of the road and perform the following procedure. Extended fast idling may cause the high coolant temperature indicator to come on.

### NOTICE

Continuing to ride with an overheated engine can cause serious damage to the engine.

1. Stop the engine using the ignition switch, and then turn the ignition switch to the ON position.

2. Check that the radiator fan is operating, and then turn the ignition switch to the OFF position.

### If the fan is not operating:

Suspect a fault. Do not start the engine. Transport your vehicle to your dealer.

### If the fan is operating:

Allow the engine to cool with the ignition switch in the OFF position.

3. After the engine has cooled, inspect the radiator hose and check if there is a leak.  
➔ P. 66

### If there is a leak:

Do not start the engine. Transport your vehicle to your dealer.

4. Check the coolant level in the reserve tank. ➔ P. 66  
▶ Add coolant as necessary.
5. If 1-4 check normal, you may continue riding, but closely monitor the high coolant temperature indicator.

## Low Oil Pressure Indicator

---

If the low oil pressure indicator comes on, pull safely to the side of the road and stop the engine.

### NOTICE

Continuing to ride with low oil pressure can cause serious damage to the engine.

1. Check the engine oil level, and add oil as necessary. 📄 P. 64, 📄 P. 65
2. Start the engine.
  - ▶ Only continue riding if the low oil pressure indicator goes off.

Rapid acceleration may momentarily cause the low oil pressure indicator to come on, especially if the oil is at or near the low level. If the low oil pressure indicator stays on when the oil level is at the proper level, stop the engine and contact your dealer.

If the engine oil level goes down rapidly, your vehicle may have a leak or another serious problem. Have your vehicle inspected by your dealer.

## PGM-FI (Programmed Fuel Injection) Malfunction Indicator Lamp (MIL)

---

If the indicator comes on while riding, you may have a serious problem with the PGM-FI system. Reduce speed and have your vehicle inspected by your dealer as soon as possible.

## ABS (Anti-lock Brake System) Indicator

---

If the indicator operates in one of the following ways, you may have a serious problem with the ABS. Reduce your speed and have your vehicle inspected by your dealer as soon as possible.

- Indicator comes on or starts flashing while riding.
- Indicator does not come on when the ignition switch is in the ON position.
- Indicator does not go off at speeds above 6 mph (10 km/h).

If the ABS indicator stays on, your brakes will continue to work as a conventional system, but without the anti-locking function.

The ABS indicator may flash if you turn the rear wheel while the rear wheel is lifted off the ground. In this case, turn the ignition switch to the OFF position, and then to the ON position again. The ABS indicator will go off after your speed reaches 19 mph (30 km/h).

## Tire Puncture

Repairing a puncture or removing a wheel requires special tools and technical expertise. We recommend you have this type of service performed by your dealer.

After an emergency repair, always have the tire inspected/replaced by your dealer.

### Emergency Repair Using a Tire Repair Kit

---

If your tire has a minor puncture, you can make an emergency repair using a tubeless tire repair kit.

Follow the instructions provided with the emergency tire repair kit.

Riding your vehicle with a temporary tire repair is very risky. Do not exceed 30 mph (50 km/h). Have the tire replaced by your dealer as soon as possible.

### **WARNING**

Riding your vehicle with a temporary tire repair can be risky. If the temporary repair fails, you can crash and be seriously injured or killed.

If you must ride with a temporary tire repair, ride slowly and carefully and do not exceed 30 mph (50 km/h) until the tire is replaced.



### Battery Goes Dead

---

Charge the battery using a motorcycle battery charger.

Remove the battery from the vehicle before charging.

Do not use an automobile-type battery charger, as these can overheat a motorcycle battery and cause permanent damage. If the battery does not recover after recharging, contact your dealer.

#### NOTICE

Jump starting using an automobile battery can damage your vehicle's electrical system and is not recommended.

Bump starting is also not recommended.

### Burned-out Light Bulb

---

Follow the procedure below to replace a burned-out light bulb.

Turn the ignition switch to the OFF position.

Allow the bulb to cool before replacing it.

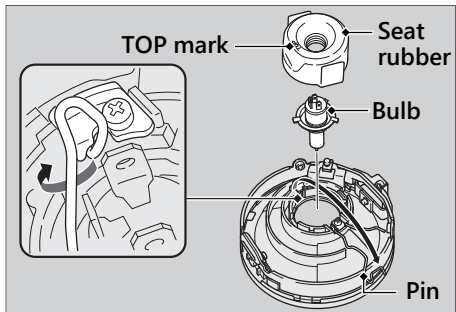
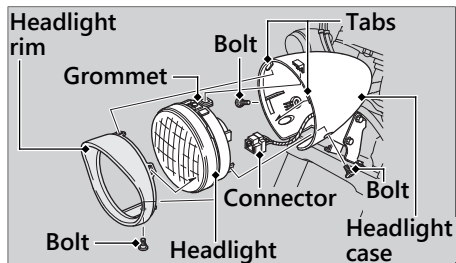
Do not use bulbs other than those specified.

Check the replacement bulb for correct operation before riding.

For the light bulb wattage, see "Specifications." ➔ P. 116

The brake light and taillight use several LEDs. If any of the LED lights do not turn on, see your dealer for servicing.

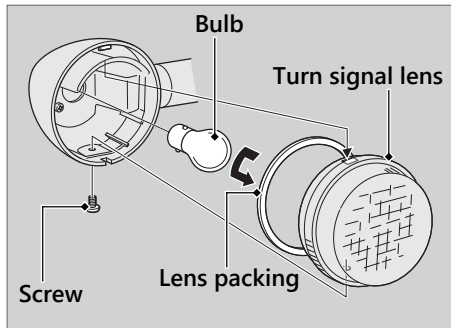
## Headlight Bulb



1. Remove the bolts from the headlight case.
2. Remove the headlight rim by pulling its lower end forward and releasing the tabs.
3. Remove the headlight by pulling it forward and releasing the grommet.
4. Disconnect the connector.
5. Remove the seat rubber.
6. Unhook the pin and remove the bulb.
7. Install a new bulb and parts in the reverse order of removal.
  - Install the seat rubber with its TOP mark facing up.

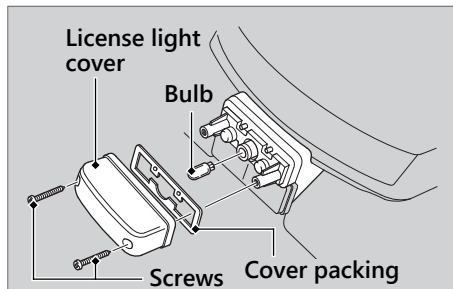
Do not touch the glass surface with your fingers. If you touch the bulb with your bare hands, clean it with a cloth moistened with isopropyl (rubbing) alcohol.

## Front/Rear Turn Signal/Position Light Bulb



1. Remove the turn signal lens by removing the screw.
2. Slightly press the bulb and turn it counterclockwise.
3. Install a new bulb and removed parts in the reverse order of removal.
  - After putting the lens packing back in place, install the turn signal lens.

## License Plate Light Bulb

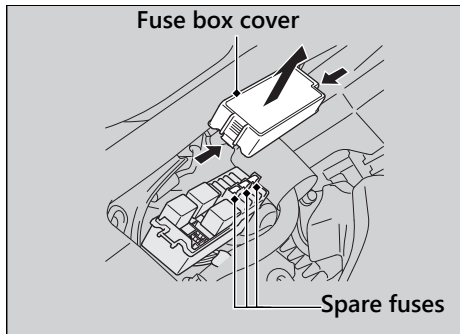


1. Remove the license light cover by removing the screws.
2. Pull the bulb out of the socket without turning it.
3. Install a new bulb and removed parts in the reverse order of removal.
  - After putting the cover packing back in place, install the license light cover.

## Blown Fuse

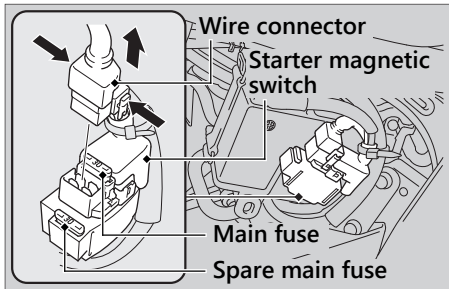
Before handling fuses, see "Inspecting and Replacing Fuses." ► P. 51

### Fuse Box Fuses



1. Remove the right side cover. ► P. 63
2. Remove the fuse box cover.
3. Pull out the fuses one by one to check for a blown fuse. Always replace a blown fuse with a spare fuse of the same rating.
4. Reinstall the fuse box cover.
5. Reinstall the right side cover.

## I Main Fuse



1. Remove the left side cover. ► P. 63
2. Disconnect the wire connector of the starter magnetic switch.
3. Pull the main fuse out and check for a blown fuse. Always replace a blown fuse with a spare fuse of the same rating.
  - The spare main fuse is located under the starter magnetic switch.
4. Reinstall parts in the reverse order of removal.

### NOTICE

If a fuse fails repeatedly, you likely have an electrical problem. Have your vehicle inspected by your dealer.

# Information

|   |              |
|---|--------------|
| Keys.....   | P. 91        |
| <b>Instruments, Controls, &amp; Other Features.....</b> | <b>P. 92</b> |
| Caring for Your Vehicle.....                            | P. 93        |
| Storing Your Vehicle.....                               | P. 96        |
| Transporting Your Vehicle .....                         | P. 97        |
| You & the Environment.....                              | P. 98        |
| Vehicle Identification Number .....                     | P. 99        |
| Emission Control Systems .....                          | P. 100       |
| Catalytic Converter .....                               | P. 105       |
| Oxygenated Fuels.....                                   | P. 106       |
| Authorized Manuals .....                                | P. 107       |
| Warranty Coverage and Service .....                     | P. 108       |
| Honda Contacts.....                                     | P. 111       |
| Reporting Safety Defects .....                          | P. 113       |

# Keys

## Ignition Key/Steering Lock Key

Be sure to record the key number provided with the original keys. Store the spare key and key number in a safe location.

To make a duplicate, take the spare key or the key number to your dealer.

If you lose all ignition keys and the key number, the ignition switch assembly will probably have to be removed by your dealer to determine the key number.

A metal key holder may cause damage to the area surrounding the ignition switch.

## Instruments, Controls, & Other Features

### Ignition Switch

Leaving the ignition switch in the ON position with the engine stopped will drain the battery.

Do not turn the key while riding.

### Engine Stop Switch

Do not use the engine stop switch except in an emergency. Doing so when riding will cause the engine to suddenly turn off, making riding unsafe. If you stop the engine using the engine stop switch, turn the ignition switch to the OFF position. Failing to do so will drain the battery.

### Odometer

The display remains at 999,999 when the odometer exceeds 999,999.

### Tripmeter

Each tripmeter resets to 0.0 when the trip mileage exceeds 999.9.

### Document Bag

The owner's manual, registration, and insurance information can be stored in the plastic document bag located inside the right side cover or under the seat.

### Ignition Cut-off System

A banking (lean angle) sensor automatically stops the engine and fuel pump if the vehicle falls over. To reset the sensor, you must turn the ignition switch to the OFF position and back to the ON position before the engine can be restarted.



## Caring for Your Vehicle

Frequent cleaning and polishing is important to ensure the life of your Honda. A clean vehicle makes it easier to spot potential problems. In particular, seawater and salts used to prevent ice on roads promote the formation of corrosion. Always wash your vehicle thoroughly after riding on coastal or treated roads.

### Washing

Allow the engine, muffler, brakes, and other high-temperature parts to cool before washing.

1. Rinse your vehicle thoroughly using a low pressure garden hose to remove loose dirt.
2. If necessary, use a sponge or a soft towel with mild cleaner to remove road grime.
  - ▶ Clean the headlight lens, panels, and other plastic components with extra care to avoid scratching them.

Avoid directing water into the air cleaner, muffler, and electrical parts.

3. Thoroughly rinse your vehicle with plenty of clean water and dry with a soft, clean cloth.
4. After the vehicle dries, lubricate any moving parts.
  - ▶ Make sure that no lubricant spills onto the brakes or tires. Brake discs, pads, drum or shoes contaminated with oil will suffer greatly reduced braking effectiveness and can lead to a crash.
5. Apply a coat of wax to prevent corrosion.
  - ▶ Avoid products that contain harsh detergents or chemical solvents. These can damage the metal, paint, and plastic on your vehicle.  
Keep the wax clear of the tires and brakes.
  - ▶ If your vehicle has any matte painted parts, do not apply a coat of wax to the matte painted surface.

### Washing Precautions

Follow these guidelines when washing:

- Do not use high-pressure washers:
    - ▶ High-pressure water cleaners can damage moving parts and electrical parts, rendering them inoperable.
    - ▶ Water in the air intake can be drawn into the throttle body and/or enter the air cleaner.
  - Do not direct water at the muffler:
    - ▶ Water in the muffler can prevent starting and causes rust in the muffler.
  - Dry the brakes:
    - ▶ Water adversely affects braking effectiveness. After washing, apply the brakes intermittently at low speed to help dry them.
  - Do not direct water to the inside the right side cover and under the seat:
    - ▶ Water in the right side cover and under seat compartment can damage your documents and other belongings.
- 
- Do not direct water at the air cleaner:
    - ▶ Water in the air cleaner can prevent the engine from starting.
  - Do not direct water near the headlight:
    - ▶ The headlight's inside lens may fog temporarily after washing or while riding in the rain. This does not impact the headlight function.
    - ▶ Any condensation inside the headlight should dissipate after a few minutes of running the engine with the headlight(s) on.  
However, if you see a large amount of water or ice accumulated inside the lens(es), have your vehicle inspected by your dealer.
  - Do not use wax or polishing compounds on matte painted surfaces:
    - ▶ Use a soft cloth or sponge, plenty of water, and a mild detergent to clean matte painted surfaces. Dry with a soft clean cloth.

## Aluminum Components

Aluminum will corrode from contact with dirt, mud, or road salt. Clean aluminum parts regularly and follow these guidelines to avoid scratches:

- Do not use stiff brushes, steel wool, or cleaners containing abrasives.
- Avoid riding over or scraping against curbs.

## Panels

Follow these guidelines to prevent scratches and blemishes:

- Wash gently using a soft sponge and plenty of water.
- To remove stubborn stains, use diluted detergent and rinse thoroughly with plenty of water.
- Avoid getting gasoline, brake fluid, or detergents on the instruments, panels, or headlight.

## Exhaust Pipe and Muffler

The exhaust pipe and muffler are stainless steel but may become stained by mud or dust.

To remove mud or dust, use a wet sponge and a liquid kitchen abrasive, then rinse well with clean water. Dry with chamois or a soft towel.

If necessary, remove heat stains by using a commercially available fine texture compound. Then, rinse by the same manner as removing mud or dust.

### NOTICE

Even though the exhaust is made of stainless steel, it can become stained. Remove all marks and blemishes as soon as they are noticed.

## Storing Your Vehicle

If you store your vehicle outdoors, you should consider using a full-body cover.

If you won't be riding for an extended period, follow these guidelines:

- Wash your vehicle and wax all painted surfaces (except matte painted surfaces). Coat chrome pieces with rust-inhibiting oil.
- Place your vehicle on a maintenance stand and position a block so that both tires are off the ground.
- After rain, remove the body cover and allow the vehicle to dry.

- Remove the battery (➤ P. 58) to prevent discharge. Fully charge the battery and then place it in a shaded, well-ventilated area.
  - ▶ If you leave the battery in place, disconnect the negative ⊖ terminal to prevent discharge.

After removing your vehicle from storage, inspect all maintenance items required by the Maintenance Schedule.

For more information about storage, refer to the *Honda Winter Storage Guide*, available from your dealer.

## Transporting Your Vehicle

If your vehicle needs to be transported, it should be carried on a motorcycle trailer or a flatbed truck or trailer that has a loading ramp or lifting platform and motorcycle tie-down straps. Never try to tow your vehicle with a wheel or wheels on the ground.

**NOTICE**

Towing your vehicle with a wheel or wheels on the ground can cause serious damage to the transmission.

## You & the Environment

Owning and riding a vehicle can be enjoyable, but you must do your part to protect the environment.

### Choose Sensible Cleaners

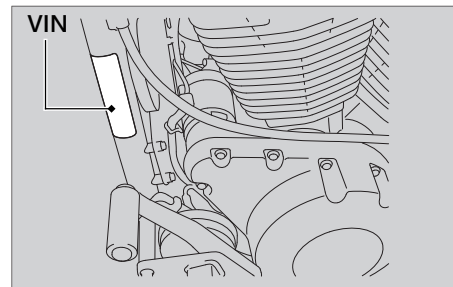
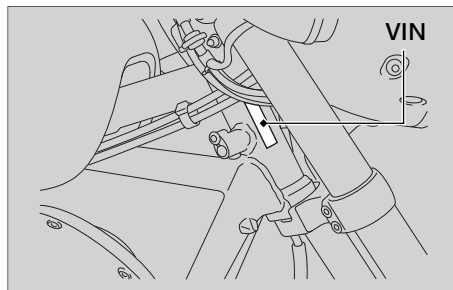
Use a biodegradable detergent when you wash your vehicle. Avoid aerosol spray cleaners that contain chlorofluorocarbons (CFCs) which damage the atmosphere's protective ozone layer.

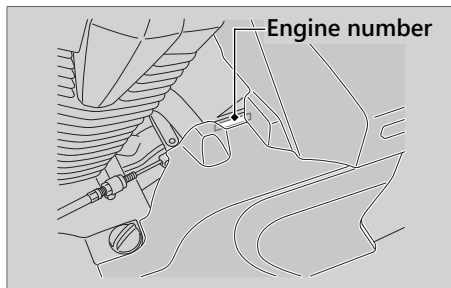
### Recycle Wastes

Put oil and other toxic wastes in approved containers and take them to a recycling center. Call your local or state office of public works or environmental services to find a recycling center in your area and to get instructions on how to dispose of non-recyclable wastes. Do not place used engine oil in the trash or pour it down a drain or on the ground. Used oil, gasoline, coolant, and cleaning solvents contain poisons that can hurt refuse workers and contaminate drinking water, lakes, rivers, and oceans.

## Vehicle Identification Number

The VIN and engine serial number uniquely identify your vehicle and are required in order to register your vehicle. They may also be required when ordering replacement parts. You should record these numbers and keep them in a safe place.





## Emission Control Systems

Your vehicle engine emits combustion byproducts, including carbon monoxide (CO), oxides of nitrogen (NO<sub>x</sub>), and hydrocarbons (HC). Gasoline evaporation also emits hydrocarbons. Controlling the production of NO<sub>x</sub>, CO, and HC is important for the environment.



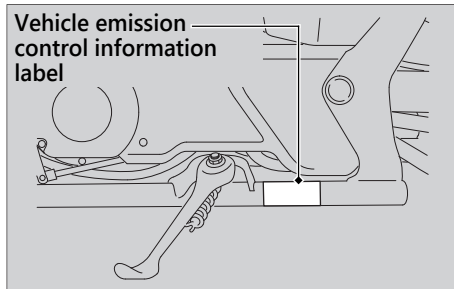
## Exhaust Emission Requirements

The U.S. Environmental Protection Agency (EPA) and the California Air Resources Board (CARB) require that your vehicle comply with applicable exhaust, crankcase, and fuel permeation emission standards during its useful life, when operated and maintained according to the instructions provided.

CARB also requires that your vehicle comply with applicable evaporative emission requirements during its useful life, when operated and maintained according to the instructions provided.

Compliance with the terms of the Distributor's Warranties for Honda Motorcycle Emission Control Systems is necessary in order to maintain a valid emissions system warranty. The Vehicle Emission Control Information label is attached to the left side of the frame.

## Vehicle emission control information label



## Noise Emission Requirements

The EPA requires that vehicles built after January 1, 1983 comply with applicable noise emission standards for one year or 3,730 miles (6,000 km) after the time of purchase when operated and maintained according to the instructions provided.

### **Exhaust Emission Control System**

The exhaust emission control system includes the following components that should not need adjustment, although periodic inspection by your dealer is recommended.

#### **PGM-FI System**

The PGM-FI (programmed fuel injection) system uses sequential multiport fuel injection, and is comprised of air intake, engine control, fuel control, and exhaust control subsystems. The engine control module (ECM) uses sensors to determine how much air enters the engine, and then controls how much fuel to inject.

#### **Ignition Timing Control System**

The ignition timing control system adjusts the ignition timing to reduce the amount of HC, CO, and NOx produced.

#### **Secondary Air Injection System**

The secondary air injection system adds filtered air into the exhaust gas to help improve emission control performance.

#### **Catalytic Converters**

The exhaust system contains one or more catalytic converters. Catalytic converters use a catalyst to convert most of the harmful exhaust gas compounds into harmless compounds.

### **Evaporative Emission Control System**

#### **50 STATE (meets California)**

An evaporative emissions control system uses a canister filled with charcoal to adsorb fuel vapor from the fuel tank while the engine is off. The vapor is drawn into the engine and burned while riding.

### **Crankcase Emissions Control System**

The engine is equipped with a closed crankcase system to prevent discharging crankcase emissions into the atmosphere. Blow-by gas is returned to the combustion chamber through the front cylinder head, air cleaner housing and throttle body.

### **Fuel Permeation Emission Control**

The fuel tank, fuel hoses, and fuel vapor charge hoses use fuel permeation control technologies to prevent fuel vapor emissions. Tampering with these components to reduce or defeat the effectiveness of the fuel permeation technologies is prohibited.

### **Noise Emission Control System**

#### **TAMPERING WITH THE NOISE CONTROL SYSTEM IS PROHIBITED:**

U. S. federal law prohibits the following acts or the causing thereof: (1) The removal or rendering inoperative by any person, other than for purposes of maintenance, repair or replacement, of any device or element of design incorporated into any new vehicle for the purpose of noise control prior to its sale or delivery to the ultimate purchaser or while it is in use; or (2) the use of the vehicle after such device or element of design has been removed or rendered inoperative by any person.

### **AMONG THOSE ACTS PRESUMED TO CONSTITUTE TAMPERING ARE THE FOLLOWING ACTS:**

- Removal of, or puncturing the muffler, baffles, header pipes or any other component which conducts exhaust gases.
- Removal of, or puncturing of any part of the intake system.
- Lack of proper maintenance.
- Removing or disabling any emissions compliance component, or replacing any compliance component with a noncompliant component.

### **Problems Affecting Vehicle Exhaust Emissions**

Have your vehicle inspected and repaired by your dealer if you experience any of the following symptoms:

- Hard starting or stalling after starting
- Rough idling
- Misfiring or backfiring during acceleration
- Poor engine performance and poor fuel economy

## Catalytic Converter

This vehicle is equipped with two oxidation catalytic converters. Each catalytic converter contains precious metals that serve as catalysts in high temperature chemical reactions that convert hydrocarbons (HC) and carbon monoxide (CO) in the exhaust gases into safe compounds.

A defective catalytic converter contributes to air pollution and can impair your engine's performance. A replacement unit must be an original Honda part or equivalent.

Follow these guidelines to protect your vehicle's catalytic converters:

- Always use unleaded gasoline. Leaded gasoline will damage the catalytic converters.
- Keep the engine in good running condition. A poorly running engine can cause the catalytic converter to overheat, causing damage to the converter or the vehicle.
- If your engine is misfiring, backfiring, stalling, or otherwise not running properly, stop riding and turn off the engine. Have your vehicle serviced as soon as possible.

## Oxygenated Fuels

Some conventional fuels blended with alcohol or an ether compound are available in some locales to help reduce emissions to meet clean air standards. These gasolines are collectively referred to as oxygenated fuels. If you plan to use oxygenated fuel, check that it is unleaded and meets the minimum octane rating and blend requirement.

The following fuel blends have been approved for use in your vehicle:

- Ethanol (ethyl alcohol) up to 10% by volume.
  - ▶ Gasoline containing ethanol may be marketed under the name Gasohol.
- Do not use gasoline containing methanol (methyl alcohol).

If you accidentally fill your fuel tank with an oxygenated fuel containing higher percentages, you may experience performance problems. To resolve the problem, have your dealer drain the fuel tank and replace with the correct fuel. Fuel

system or performance problems resulting from the use of an oxygenated fuel containing higher percentages are not covered by your warranty.

### NOTICE

Improper use of oxygenated fuels can damage metal, rubber, and plastic parts of your fuel system.

Oxygenated fuel can also damage paint. Damage caused by spilled fuel is not covered by warranty.

If you notice any undesirable operating symptoms or performance problems, try a different brand of gasoline.

## Authorized Manuals

The Service Manual used by your authorized dealer is available from your Honda dealer or Helm, Inc.

Also available, but not necessary to service your model, is the Honda Common Service Manual, which explains basic service information for various systems on Honda motorcycles, scooters, ATV, and SxS.

The Winter Storage Guide in conjunction with the Owner's Manual and Service Manual can help you prepare your Honda motorcycle, scooter, ATV, and SxS for winter storage.

These Honda manuals are written for the professional technician. However, if you possess the proper tools, observe the safety standards, and are mechanically capable, you should find them easy to use.

Special Honda tools are necessary for some procedures.

**Order online: [www.helminc.com](http://www.helminc.com)**

**Order Toll Free: 1-888-CYCLE93**

(1-888-292-5393)

(NOTE: For Credit Card Orders Only)

Monday - Friday 8:00 AM - 6:00 PM ET

| Description                     |
|---------------------------------|
| 2010-2023 Fury Service Manual   |
| Common Service Manual (61CSM00) |
| Winter Storage Guide (S9507)    |
| 2023 Fury Owner's Manual        |

## Warranty Coverage and Service

### Coverage

Your new Honda is covered by the following warranties:

- Vehicle Limited Warranty
- Emission Control System Warranty
- Noise Control Warranty

The responsibilities, restrictions, and exclusions that apply to these warranties are explained in the Warranties Booklet given to you by your Honda dealer at the time of purchase. Always keep your Honda owner's card with your Warranties Booklet.

It is important to realize that your warranty applies only to defects in material or workmanship of your Honda. Your warranty coverage does not apply to the normal wear and deterioration associated with use of the vehicle.

Your warranty coverage is not voided if you perform your own maintenance. However, failures that occur due directly to improper maintenance are not covered by these warranties.

You can extend almost all of your warranty coverage through the HondaCare® Protection Plan. For more information, see your Honda dealer.



### **Statement on Warranty Coverage for Aftermarket and Recycled Parts**

The Magnuson-Moss Warranty Act, 15 U.S.C. s. 2301 et seq., makes it illegal for motor vehicle manufacturers to void a motor vehicle warranty or deny warranty coverage solely because an aftermarket or recycled part has been used to repair the vehicle or someone other than the authorized service provider performed service on the vehicle. This provision does not apply to a new motor vehicle purchased solely for commercial or industrial use.

Under federal law, a manufacturer may deny warranty coverage and charge for repairs to a vehicle if it is discovered that an aftermarket or recycled part installed on the vehicle is defective or was installed incorrectly and caused damage to another part of the vehicle otherwise covered under warranty. The Federal Trade Commission requires that a manufacturer demonstrate that an aftermarket or recycled part or service performed by a person other than an

authorized service provider caused damage to another part of the vehicle otherwise covered under warranty before denying warranty coverage. Additionally, federal law allows a manufacturer to void a motor vehicle warranty or deny warranty coverage if the manufacturer provides the article or service to consumers free of charge under the warranty or the manufacturer has secured a waiver from the Federal Trade Commission.

## Warranty Coverage and Service

### Service

Please remember that maintenance recommended in the Maintenance Schedule is not included in your warranty coverage.

If you believe you have a problem with your vehicle, call the service department of your Honda dealer. Make an appointment for an inspection and diagnosis. You will be asked to authorize that inspection, and your dealer will return the results of the inspection. If a problem exists and is covered under warranty, your dealer will perform the warranty repairs. If you have any questions about your warranty coverage or the nature of the repair, talk to the Service Manager of your Honda dealer.

If a misunderstanding occurs and you aren't satisfied with your dealer's handling of the situation, we suggest you discuss your problem with the appropriate member of the dealership's management team. If you are still not satisfied, contact the owner of the dealership or their designated representative.

## Honda Contacts

### American Honda Motor Co., Inc.

If you wish to contact Honda directly to comment on your experiences with your vehicle or with your dealer, please send your comments using one of the following methods:



### POST MAIL

Powersports Customer Relations  
American Honda Motor Co., Inc.  
P.O. Box 2200, Torrance, CA 90509-2200  
Mailstop: 100-4W-5F



### PHONE

Telephone: (866) 784-1870



### ONLINE CUSTOMER SERVICE

Website: <https://powersports.honda.com/contact-us>

Please include the following information in your letter:

- Name, address, and telephone number
- Product model, year, and VIN
- Date of purchase
- Dealer name and address

We will likely ask your Honda dealer to respond, or possibly acknowledge your comments directly.

### **Your Honda Dealer**

The service department of your Honda dealer offers trained personnel to perform regular maintenance and unexpected repairs. It has the latest available service information from Honda and also handles warranty inspections and repairs.

The parts department offers Honda Genuine Parts, Pro Honda products and Honda Accessories that provide the same quality that went into your vehicle.

The sales department offers the HondaCare® Protection Plan to extend almost all of your warranty coverage.

Your Honda dealer can also supply information about riding events and information about safety training available in your local area.

## Reporting Safety Defects

If you believe that your vehicle has a defect which could cause a crash or could cause injury or death, you should immediately inform the National Highway Traffic Safety Administration (NHTSA) in addition to notifying American Honda Motor Co., Inc.

If NHTSA receives similar complaints, it may open an investigation, and if it finds that a safety defect exists in a group of vehicles, it may order a recall and remedy campaign. However, NHTSA cannot become involved in individual problems between you, your dealer, or American Honda Motor Co., Inc.

To contact NHTSA, you may call the Vehicle Safety Hotline toll-free at:

1-888-327-4236

(TTY: 1-800-424-9153); go to

<https://www.safercar.gov>;

or write to:

Administrator, NHTSA,

1200 New Jersey Avenue, SE.,

Washington, DC 20590.

You can also obtain other information about motor vehicle safety from:

<https://www.safercar.gov>.

# Specifications

## ■ Main Components

|                            |  |                           |
|----------------------------|--|---------------------------|
| Overall length             | 100.6 in (2,555 mm)  |                           |
| Overall width              | 35.4 in (900 mm)   |                           |
| Overall height             | 45.3 in (1,150 mm)   |                           |
| Wheelbase                  | 71.1 in (1,805 mm)   |                           |
| Minimum ground clearance   | 4.9 in (125 mm)  |                           |
| Caster angle               | 32°  |                           |
| Trail                      | 3.6 in (92 mm)   |                           |
| Curb weight                | 675 lb (306 kg)  |                           |
| Maximum weight capacity *1 | 322 lb (146 kg)  |                           |
| Passenger capacity         | Model not equipped with Optional Passenger Seat Kit  | Rider only (no passenger) |
|                            | Model equipped with Optional Passenger Seat Kit  | Rider and 1 passenger     |
| Minimum turning radius     | 11.8 ft (3.6 m)  |                           |
| Displacement               | 80.0 cu-in (1,312 cm <sup>3</sup> )  |                           |
| Bore x stroke              | 3.52 x 4.11 in (89.5 x 104.3 mm)   |                           |
| Compression ratio          | 9.2:1  |                           |
| Fuel                       | Unleaded gasoline<br>Recommended fuel octane number:<br>Pump Octane Number (PON) 86 or higher. |                           |
| Tank capacity              | 3.38 US gal (12.8 L)   |                           |

|   |                       |       |
|---|-----------------------|-------|
| Battery                                       | YTZ14S                |       |
|   | 12 V-11.2 Ah (10 HR)  |       |
| Gear ratio                                    | 1st                   | 1.900 |
|   | 2nd                   | 1.231 |
|   | 3rd                   | 0.909 |
|   | 4th                   | 0.757 |
|   | 5th                   | 0.676 |
| Reduction ratio (primary / secondary / final) | 1.935 / 0.944 / 2.818 |       |

\*1: Including rider, all luggage, and accessories

## ■ Service Data

|                     |                     |   |
|---------------------|---------------------|---|
| Tire size           | Front               | 90/90-21M/C 54H                             |
|                     | Rear                | 200/50R18M/C 76H                            |
| Tire type           | Front               | Bias-ply, tubeless                          |
|                     | Rear                | Radial, tubeless                            |
| Recommended Tire    | Front               | DUNLOP D422F<br>METZELER ME 880             |
|                     | Rear                | DUNLOP D423<br>METZELER ME 880              |
| Tire air pressure   | Front               | 33 psi (225 kPa, 2.25 kgf/cm <sup>2</sup> ) |
|                     | Rear                | 41 psi (280 kPa, 2.80 kgf/cm <sup>2</sup> ) |
| Minimum tread depth | Front               | 0.06 in (1.5 mm)                            |
|                     | Rear                | 0.08 in (2.0 mm)                            |
| Spark plug          | (standard)          | DCPR6E (NGK) or<br>XU20EPR-U (DENSO)        |
|                     | (high speed riding) | DCPR7E (NGK) or<br>XU22EPR-U (DENSO)        |
| Spark plug gap      |                     | 0.03 - 0.04 in (0.8 - 0.9 mm)               |
| Idle speed          | (non-adjustable)    | 930 ± 100 rpm                               |

|                             |   |                                  |
|-----------------------------|---|----------------------------------|
| Recommended engine oil      | API Service Classification SJ or higher except oils labeled as energy conserving or resource conserving on the circular API service label, SAE 10W-30, JASO T 903 standard MA, Pro Honda GN4 4-stroke oil (USA & Canada) or Honda 4-stroke oil, or an equivalent motorcycle oil |                                  |
|                             | After draining  | 3.7 US qt (3.5 L)                |
| Engine oil capacity         | After draining & engine oil filter change   | 3.9 US qt (3.7 L)                |
|                             | After disassembly   | 4.5 US qt (4.3 L)                |
| Recommended final drive oil | Hypoid gear oil SAE 80  |                                  |
| Final drive oil capacity    | After draining  | 4.4 US oz (130 cm <sup>3</sup> ) |
|                             | After disassembly   | 5.7 US oz (170 cm <sup>3</sup> ) |
| Recommended brake fluid     | Honda DOT 4 Brake Fluid   |                                  |
| Cooling system capacity     | 2.68 US qt (2.54 L)   |                                  |
| Recommended coolant         | Pro Honda HP Coolant  |                                  |

## Specifications

### ■ Bulbs

|                                  |                 |
|----------------------------------|-----------------|
| Headlight                        | 12 V-60/55 W    |
| Brake light/Taillight            | LED             |
| Front turn signal/Position light | 12 V-21/5 W × 2 |
| Rear turn signal                 | 12 V-21 W × 2   |
| License plate light              | 12 V-5 W        |

### ■ Fuses

|            |                  |
|------------|------------------|
| Main fuse  | 30 A             |
| Other fuse | 30 A, 20 A, 10 A |

### ■ Torque Specifications


|                               |                               |
|-------------------------------|-------------------------------|
| Bolts B                       | 16 lbf-ft (22 N·m, 2.2 kgf·m) |
| Final drive oil fill hole cap | 9 lbf-ft (12 N·m, 1.2 kgf·m)  |



# Information Record

|                    |  |
|--------------------|--|
| VIN                |  |
| Engine No.         |  |
| Color Label & Code |  |
| Owner's Name       |  |
| Address            |  |
| City/State         |  |
| Phone              |  |
| Dealer's Name      |  |
| Address            |  |
| City/State         |  |
| Phone              |  |
| Service Manager    |  |

California Proposition 65 Warning

 **WARNING:** Operating, servicing and maintaining a passenger vehicle or off-highway motor vehicle can expose you to chemicals including engine exhaust, carbon monoxide, phthalates, and lead, which are known to the State of California to cause cancer and birth defects or other reproductive harm. To minimize exposure, avoid breathing exhaust, do not idle the engine except as necessary, service your vehicle in a well-ventilated area and wear gloves or wash your hands frequently when servicing your vehicle. For more information go to [www.P65Warnings.ca.gov/passenger-vehicle](http://www.P65Warnings.ca.gov/passenger-vehicle).



31MFR720  
00X31-MFR-7200

© 2022 Honda Motor Co., Ltd.  
All Rights Reserved

Printed in the U.S.A.