

Read this manual carefully, it contains important safety information.

Models sold in and used in California:

The removal or modification of evaporative emission-related parts on this OHRV is illegal. Violators may be subject to civil and/or criminal penalties as provided under California and federal law.

# OWNER'S MANUAL

## 2025 PIONEER 1000

Minimum recommended operator age: 16



Mfg. #

This owner's manual should be considered a permanent part of the vehicle and should remain with the vehicle when it is resold.

This publication includes the latest production information available before printing. Honda Motor Co., Ltd. reserves the right to make changes at any time without notice and without incurring any obligation.

No part of this publication may be reproduced without written permission.

This vehicle pictured in this owner's manual may not match your actual vehicle.

© Honda Motor Co., Ltd. 2024

2025

Honda Pioneer 1000 SXS1000

M3P Three Passenger Pioneer 1000 EPS

M3D Three Passenger Pioneer 1000 Deluxe/Trail/Forest

M5P Five Passenger Pioneer 1000-5 EPS

M5D Five Passenger Pioneer 1000-5 Deluxe/Trail/Forest

OWNER'S MANUAL



# Introduction

---

Congratulations on choosing your Honda Pioneer. When you own a Honda, you're part of a worldwide family of satisfied customers—people who appreciate Honda's reputation for building quality into every product.

Before you begin driving your vehicle, we recommend that you read this owner's manual. It's full of facts, instructions, safety information, and helpful tips. To help you find what you are looking for, the manual contains a detailed list of contents at the beginning of each section and an alphabetical index at the back of the book.

To protect your investment, we urge you to keep your vehicle well maintained. Scheduled service is a must, of course, but it's also important to observe the break-in guidelines and perform all pre-drive and other periodic checks detailed in this manual.

As you read this manual, you will find information that is preceded by a **NOTICE** symbol. This information is intended to help you avoid damage to your Honda, other property, or the environment.

Be sure to read the Warranties Booklet (page 301) so you understand the coverages that protect your new Honda and are aware of your rights and responsibilities.

If you have any questions or if you ever need special service or repairs, remember that your dealer knows your Honda SXS best and is dedicated to your complete satisfaction.

Please report any change of address or ownership to your dealer so we will be able to contact you concerning important product information.

You may also want to visit our website at

USA: [www.powersports.honda.com](http://www.powersports.honda.com).

Canada: [www.honda.ca](http://www.honda.ca).

# Introduction

---

- The following codes in this manual indicate each country.

## SXS1000M3P

A	United States of America - 49 states
AC	United States of America - 50 states (meets California)
CM	Canada

## SXS1000M3D

A, VI A, VII A	United States of America - 49 states
AC, VI AC, VII AC	United States of America - 50 states (meets California)

## SXS1000M5P

A	United States of America - 49 states
AC	United States of America - 50 states (meets California)

## SXS1000M5D

A, VI A, VII A	United States of America - 49 states
AC, VI AC, VII AC	United States of America - 50 states (meets California)
CM, VI CM, VII CM	Canada

- The illustrations herein are based on the SXS1000M5D Forest AC Type.
- The specifications may vary with each locale.

# A Few Words About Safety

---


Your safety, and the safety of others, is very important. And operating your Honda safely is an important responsibility.

To help you make informed decisions about safety, we have provided operating procedures and other information on labels and in this manual. This information alerts you to potential hazards that could hurt you or others.

Of course, it is not possible to warn you about all hazards associated with operating or maintaining this vehicle. You must use your own good judgment.

You will find important safety information in a variety of forms, including:

**Safety Labels** — on the vehicle.

**Safety Messages** — boxed messages preceded by a safety alert symbol  and one of three signal words: **DANGER**, **WARNING**, or **CAUTION**.

These signal words mean:

 **DANGER**

You **WILL** be **KILLED** or **SERIOUSLY HURT** if you don't follow instructions.

 **WARNING**

You **CAN** be **KILLED** or **SERIOUSLY HURT** if you don't follow instructions.

 **CAUTION**

You **CAN** be **HURT** if you don't follow instructions.

# A Few Words About Safety

---

**Safety Headings** — such as “Important Safety Reminders” or “Important Safety Precautions.”

**Safety Section** — “Driver & Passenger Safety,” beginning on page 1.

**Instructions** — how to operate this vehicle correctly and safely.

In addition to the above, your owner's manual is full of information that can help you safely operate and maintain your vehicle. So please read it carefully.

# Contents

---

These pages give an overview of the contents of your owner's manual.

The first page of each section lists the topics discussed in that section.

**Driver & Passenger Safety ..... 1**

The most important safety guidelines, how accessories and modifications can affect your safety, and the location of safety-related labels on your vehicle.

**Instruments & Controls ..... 15**

The location, function and operation of the indicators, driver controls, and other operational components.

**Before Driving..... 99**

The importance of wearing a seat belt, helmet, protective eyewear and other protective gear, how to make sure you and your Honda are ready to drive, plus load limits and guidelines on carrying cargo and towing a trailer.

**Basic Operation & Driving Guidelines ..... 111**

How to start and stop the engine, select a driving mode and gear, plus guidelines for driving on hills and other off-road situations.

**Servicing Your Honda ..... 133**

Why your vehicle needs regular maintenance, what you need to know before servicing your vehicle, a maintenance schedule, and instructions for specific maintenance and adjustment items.

**Tips ..... 237**

How to store and transport your Honda, and how to be an environmentally responsible driver.



# Contents

---

<b>Taking Care of the Unexpected</b> .....	<b>247</b>
What to do if you have a flat tire, your engine won't start, etc.	
<b>Technical Information</b> .....	<b>277</b>
ID numbers, technical specifications, and other technical facts.	
<b>Consumer Information (USA &amp; Canada only)</b> .....	<b>299</b>
Information on warranties, emissions controls, how to get a service manual, and how to contact Honda.	
<b>Index</b> .....	<b>307</b>
Alphabetical listing of topics in the manual.	
<b>Quick Reference</b>	
Handy facts about fuel, engine oil, tire sizes, and air pressure.	

# Driver & Passenger Safety

---

This section presents some of the most important information and recommendations to help you drive your Honda safely. Please take a few moments to read these pages. This section also shows you the location of safety labels on your vehicle.

Important Safety Information.....	2
Accessories & Modifications.....	4
Safety Labels .....	6

# Important Safety Information

---

There is much that you can do to protect yourself and passenger(s). You'll find many helpful recommendations throughout this manual. The following are those we consider to be most important.

## **Follow Age and Size Recommendations**

The driver should be at least 16 years old and tall enough to wear the seat belt properly and reach all the controls. A passenger should also be tall enough for the seat belt to fit properly and brace themselves, if needed, placing both feet firmly on the floor.

## **Always Wear a Seat Belt**

Wearing a properly positioned seat belt is your best protection against injury in a crash or rollover.

## **Protect Your Head and Eyes**

We recommend that occupants always wear a helmet with a chin strap. We also recommend that you wear eye protection, boots, gloves, and other protective gear (page 101).

## **Keep Doors and Side Nets Closed**

Make sure the doors are closed and the side nets are rolled down and secure to help keep the driver's and passenger's arms and legs inside the occupant protective structure (OPS), should the vehicle tip or turn over.

# Important Safety Information

---

## Never Carry a Passenger in the Cargo Area

Your vehicle was designed to either carry a driver and up to two passengers (SXS1000M3P/M3D) or a driver and up to four passengers (SXS1000M5P/M5D). Never carry additional passengers in the cargo area, as they could be thrown against or out of the vehicle and be seriously hurt or killed.

## Obey Loading Limits & Guidelines

Do not carry more than loading limits in the cargo bed (page 107), and make sure all cargo is properly loaded as forward and centered as possible and secured to prevent shifting.

## Keep Your Vehicle in Safe Condition

It's important to keep your vehicle properly maintained and in safe operating condition. Having a breakdown can be difficult, especially if you are stranded far from your base. To help avoid problems, inspect your Honda before each use and perform all recommended maintenance.

## Don't Drink or Use Drugs and Drive

Alcohol or drugs and driving don't mix. Even one alcoholic drink can reduce your ability to respond to changing conditions, and your reaction time gets worse with every additional drink. The same is true for drug use. Don't drink or use and drive, and don't let your friends do it either.

## Stay Off Public Roads

Your vehicle has been designed for use on private property and designated off-highway areas. It does not have turn signals or many other items required for use on either paved or unpaved public roads.

# Accessories & Modifications

---

Modifying your vehicle or using non-Honda accessories can make it unsafe. Before you consider making any modifications or adding an accessory, be sure to read the following information.

## Accessories

We strongly recommend that you use only Honda Accessories that have been specifically designed or approved and tested for your vehicle. Because Honda cannot test all other accessories, you must be personally responsible for the proper selection, installation, and use of non-Honda accessories.

You should also be aware that accessories add weight, reducing the amount of cargo and total weight you can carry, and can raise the vehicle's center of gravity, increasing the risk of a rollover.

Check with your dealer for assistance, and always follow these guidelines:

- Make sure the accessory does not obscure any lights, reduce ground clearance, limit suspension travel or steering travel, or interfere with operating any controls.
- Do not add any electrical equipment that will exceed the vehicle's electrical system capacity (page 286). A blown fuse can cause a loss of lights or engine power (page 264).

### **WARNING**

Improper accessories or modifications can cause a crash in which you can be seriously hurt or killed.

Follow all instructions in this owner's manual regarding accessories and modifications.

# Accessories & Modifications

---

## Modifications

We strongly advise you not to remove any original equipment or modify your Honda in any way that would change its design or operation. Such changes could seriously impair your vehicle's handling, stability, and braking and make it unsafe to drive.

We also advise you not to make any modifications or remove any equipment (such as the spark arrester, muffler, or emissions control system components) that would make your vehicle illegal in your area.

# Safety Labels

---

Your Honda comes with several labels that contain important information.

You, and anyone else who operates or rides in the vehicle, should read and understand this information before driving.

The labels should be considered permanent parts of the vehicle. If a label comes off or becomes hard to read, contact your Honda dealer for a replacement.

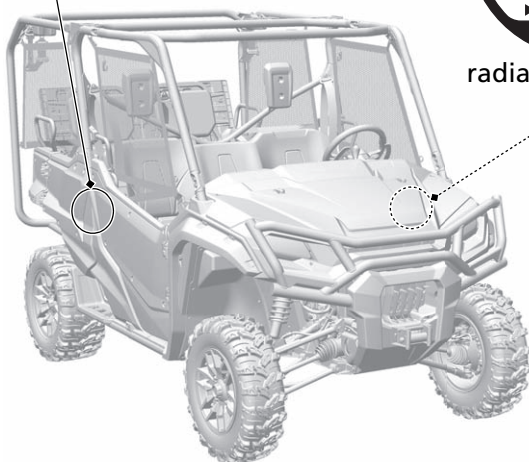
- ▶ Indicates something apparent.
- .....◆ Indicates something concealed.



restricted use (Canada only)



1.1 radiator cap danger



# Safety Labels

(USA - 49 states, Canada models)

**⚠ WARNING**

SERIOUS INJURY or DEATH can result if you ignore the following:  
DO NOT RIDE IN CARGO BED.  
DO NOT OVERLOAD CARGO BED.

- Overloading can cause loss of control and crash.
- Maximum load (1,000 lbs/454 kg).
- Keep cargo inside the bed, as far forward, centered and as low as possible.
- Secure items to prevent shifting.
- Reduce speed and allow more room to turn or stop.

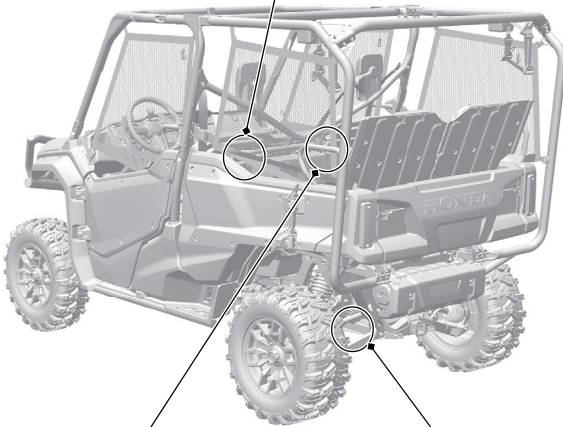
(USA - 50 states [meets California] models)

**⚠ WARNING**

SERIOUS INJURY or DEATH can result if you ignore the following:  
DO NOT RIDE IN CARGO BED.  
DO NOT OVERLOAD CARGO BED.

- Overloading can cause loss of control and crash.
- Maximum load (600 lbs/272 kg).
- Keep cargo inside the bed, as far forward, centered and as low as possible.
- Secure items to prevent shifting.
- Reduce speed and allow more room to turn or stop.

loading warning



**⚠ WARNING**

Improper Use of Off-Highway Vehicles Can Cause Severe Injury or Death

- Only sit in designated seating positions and wear your seatbelt.
- Always wear an approved helmet and protective gear.
- Close doors and latch nets before driving.
- Each rider must be able to sit with back against seat, feet flat on floor, and hands on handholds. Stay completely inside the vehicle.



Read Owner's Manual Follow All Instructions and Warnings

rear passenger warning  
(SXS1000M5P/M5D only)

<p><b>⚠ WARNING</b></p> <p>Improper towing can result in serious injury or death.</p> <ul style="list-style-type: none"><li>• Don't exceed the towing capacity.</li><li>• When towing, reduce speed, allow more room to turn and stop.</li><li>• Read the towing section in the owner's manual.</li></ul>	<p><b>Towing Capacity</b></p> <p>Towing weight limit 2500lbs. (1134kg)</p> <p>Tongue weight limit 250lbs. (113kg)</p>
---	---

trailer hitch



# Safety Labels

---

## (SXS1000M3P/M3D)

ROPS meets requirements of ISO 3471:2008 and OSHA 1926,1002(c)

Model: Honda SXS1000M3P/M3D

Test GVWR: 3,373 lbs (1,530 kg)

American Honda Motor Co., Inc.  
1111 Honda Way, Timmonsville, SC

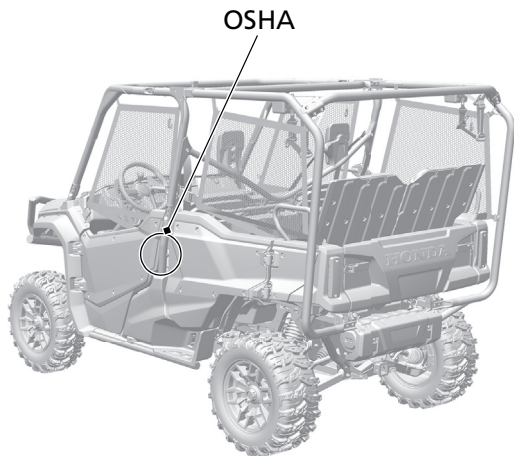
## (SXS1000M5P/M5D)

ROPS meets requirements of ISO 3471:2008 and OSHA 1926,1002(c)

Model: Honda SXS1000M5P/M5D

Test GVWR: 3,572 lbs (1,620 kg)

American Honda Motor Co., Inc.  
1111 Honda Way, Timmonsville, SC



# Safety Labels

**Tilt Table Test Result**

**HONDA**  
Vehicle Models: **SXS1000M3P/M3D**  
**SXS1000M5P/M5D**

**36.7**

Measurement of lateral stability in degrees, of a sample, standard condition vehicle (with an operator and a passenger load – 450 pounds) as measured by the manufacturer in accordance with the tilt table lateral stability test in the ANSI/RPVHA standard for Recreational Off-Highway Vehicles. Vehicle modifications, accessories, and loading can affect lateral stability.

Training courses to teach ROV driving are available. For information contact your dealer and/or [rova.org](http://rova.org) (or [ohv.ca](http://ohv.ca) in Canada).

Check with your dealer to find out about state or local laws regarding ROV operation.

**THIS HANG TAG IS NOT TO BE REMOVED BEFORE SALE.**

**WARNING**

**Improper Use of Off-Highway Vehicles Can Cause Severe Injury or Death**

**Be Prepared**

- Fasten seat belts.
- Wear an approved helmet and protective gear.
- Close doors and latch nets before driving.
- Each rider must be able to sit in a designated seating position with back against seat, feet flat on floor and hands on steering wheel or handrails. Stay completely inside the vehicle.

**Drive Responsibly**

Avoid loss of control and rollovers:

- Avoid abrupt maneuvers, sideways skidding, skidding, or fishtailing, and never do donuts.
- Slow down before entering a turn.
- Avoid hard acceleration when turning, even from a stop.
- Plan for hills, rough terrain, ruts, and other changes in traction and terrain. Avoid paved surfaces.
- Avoid side-hilling (riding across slopes).

**Be Sure Riders Pay Attention and Plan Ahead**

If you think or feel the vehicle may tip or roll, reduce your risk of injury:

- Keep a firm grip on the steering wheel or handrails and brace yourself.
- Do not put any part of your body outside of the vehicle for any reason.

**Require Proper Use of Your Vehicle**

Do your part to prevent injuries:

- Do not allow careless or reckless driving.
- Make sure operators are 16 or older.
- Do not let people drive or ride after using alcohol or drugs.
- Do not allow operation on public roads (unless it is an unpaved road designated for off-highway vehicle access – collisions with cars and trucks can occur).
- Do not exceed seating capacity.

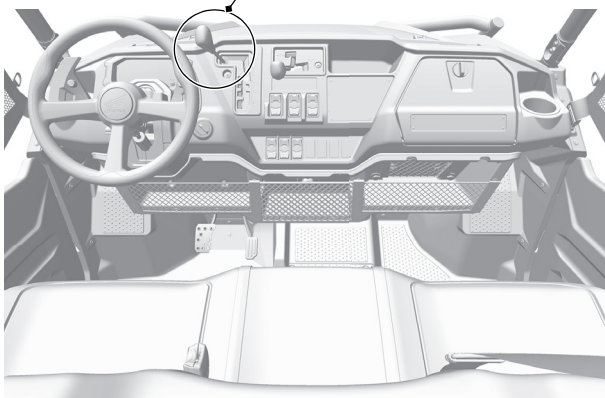
**Locate and Read Owner's Manual. Follow All Instruction and Warnings.**

**Rollovers have caused severe injuries and death, even on flat open areas.**

**Always use 16"**

Model	Seating Capacity	Weight Capacity
SXS1000M3P/M3D	2	450 lbs
SXS1000M5P/M5D	2	450 lbs

general warning tag



# Safety Labels

## SXS1000M3P/M3D Deluxe

SXS1000M3P shown

**Shift and Drive Select Information**

- To avoid drivetrain damage, come to a **STOP** before using the shift or drive mode select levers.
- Turning in 4WD-Lock (Front Diff Lock) requires more steering effort. Allow more room to turn.

shift & drive select

**WARNING**  
Improper Use of Off-Highway Vehicles Can Cause Severe Injury or Death

**Drive Responsibly**  
Always wear or control seat belt/restraint.  
• Plan for hills, rough terrain, ruts, and other changes in traction and terrain. Avoid paved surfaces.  
• Avoid abrupt maneuvers, sideways sliding, skidding, or lurching, and avoid on dips.  
• Angle front suspension when turning, avoid front end dips.  
• Avoid side hill/side riding unless allowed.  
• Take down before entering a turn.

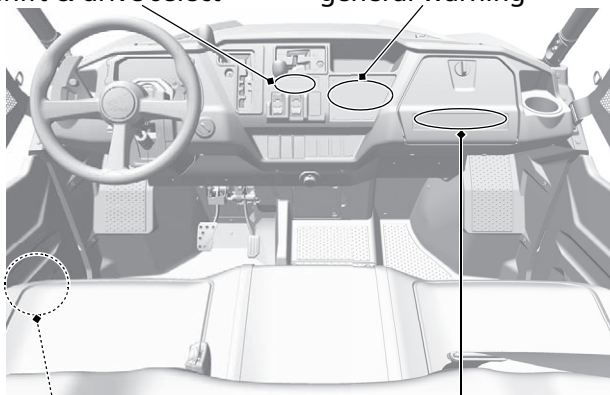
**Require Proper Use of Your Vehicle**  
Do not pass to prevent injury.  
• Do not allow careless or reckless driving.  
• Make sure operators are 16 or older.  
• Do not let people drive or ride after being limited or drunk.  
• Do not allow operation on public roads (or like & B, purpose-built designed for off-highway vehicle access) – off-roads with care and track use notice.  
• Do not exceed seating capacity.

Vehicle	Driver	Passenger
SXS1000M3P/M3D	1	4
SXS1000M3P/M3D	1	4

**NEVER UNDER 16**

Roll-overs have caused severe injuries and death, even on flat open areas.  
Locks and Read Owner's Manual. Follow All Instructions and Warnings.

general warning



**WARNING**

**Be Prepared**  
• Read and follow all instructions.  
• Never use excessive fuel and pressures.  
• Do not exceed or force any torque.  
• Do not use any force on any component.  
• Do not use any force on any component.  
• Do not use any force on any component.  
• Do not use any force on any component.

**Be Sure Riders Pay Attention and Plan Ahead**  
• Do not drink and drive.  
• Do not drink and drive.  
• Do not drink and drive.  
• Do not drink and drive.

general warning

(USA - 49 states, Canada models)

**WARNING**

Improper tire pressure, overloading or overly worn or damaged tires can cause loss of control.  
Loss of control can result in severe injury or death.  
Check tires before each use.

•Cold tire pressure: Front : 18 psi (120 kPa) Rear : 18 psi (120 kPa)	•Maximum weight capacity: 1649 lbs (748 kg) (including weight of cargo, occupants, accessories, and, if applicable, trailer tongue load)
---	--

(USA - 50 states  
[meets California] models)

**WARNING**

Improper tire pressure, overloading or overly worn or damaged tires can cause loss of control.  
Loss of control can result in severe injury or death.  
Check tires before each use.

•Cold tire pressure: Front : 18 psi (120 kPa) Rear : 18 psi (120 kPa)	•Maximum weight capacity: 1248 lbs (568 kg) (including weight of cargo, occupants, accessories, and, if applicable, trailer tongue load)
---	--

tire & overload warning

# Safety Labels

## SXS1000M3D Trail/Forest

### SXS1000M3D Forest shown

**Shift and Drive Select Information**

- To avoid drivetrain damage, come to a **STOP** before using the shift or drive mode select levers.

shift & drive select

**WARNING**  
Improper Use of Off-Highway Vehicles Can Cause Severe Injury or Death

**Drive Responsibly**  
Always use or control your off-highway vehicle:  
 • Plan for hills, rough terrain, ruts, and other changes in traction and terrain. Avoid paved surfaces.  
 • Avoid abrupt maneuvers, sideways sliding, skidding, or lurching, and avoid on dips.  
 • Avoid hard acceleration when turning, especially at stops.  
 • Avoid side hill/side riding unless allowed.  
 • Take down before entering a turn.

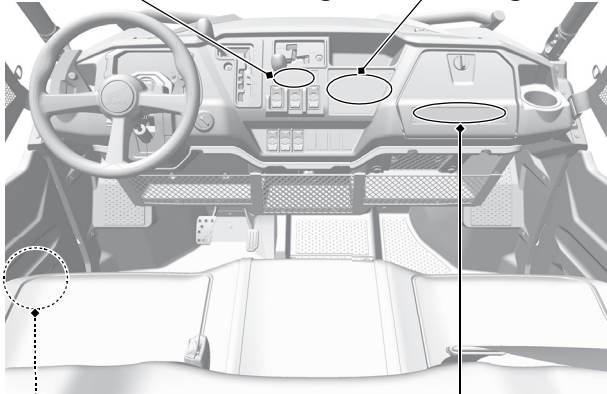
**Require Proper Use of Your Vehicle**  
Do not permit or permit to operate:  
 • Do not allow careless or reckless driving.  
 • Make sure operators are 16 or older.  
 • Do not let people drive or ride after being warned or stopped.  
 • Do not allow operation on public roads (or State & Co. prepared roads designated for off-highway vehicle access) — off-roads with care and track-use notice.  
 • Do not exceed seating capacity.

Vehicle	Driver	Passenger
SXS1000M3D	1	4
SXS1000M3D	1	4
SXS1000M3D	1	4

**DRIVER UNDER 16**

Followers have caused severe injuries and death, even on flat open areas.  
 Listen and Read Owner's Manual. Follow All Instruction and Warnings.

general warning



**WARNING**

**Be Prepared**  
 • Be aware of hills and protrusions.  
 • Be aware of loose surface debris.  
 • Do not use off-highway vehicles on paved roads.  
 • Do not use off-highway vehicles on roads or streets.

**Be Sure Riders Pay Attention and Plan Ahead**  
 • Do not allow careless or reckless driving.  
 • Make sure operators are 16 or older.  
 • Do not let people drive or ride after being warned or stopped.  
 • Do not allow operation on public roads (or State & Co. prepared roads designated for off-highway vehicle access) — off-roads with care and track-use notice.  
 • Do not exceed seating capacity.

general warning

(USA - 49 states model)

**WARNING**

Improper tire pressure, overloading or overly worn or damaged tires can cause loss of control. Loss of control can result in severe injury or death. Check tires before each use.

•Cold tire pressure: Front : 18 psi (120 kPa) Rear : 18 psi (120 kPa)	•Maximum weight capacity: 1649 lbs (748 kg) (Including weight of cargo, occupants, accessories, and, if applicable, trailer tongue load)
---	--

(USA - 50 states  
[meets California] models)

**WARNING**

Improper tire pressure, overloading or overly worn or damaged tires can cause loss of control. Loss of control can result in severe injury or death. Check tires before each use.

•Cold tire pressure: Front : 18 psi (120 kPa) Rear : 18 psi (120 kPa)	•Maximum weight capacity: 1248 lbs (566 kg) (Including weight of cargo, occupants, accessories, and, if applicable, trailer tongue load)
---	--

tire & overload warning

# Safety Labels

## SXS1000M5P/M5D Deluxe

### SXS1000M5P shown

**Shift and Drive Select Information**

- To avoid drivetrain damage, come to a **STOP** before using the shift or drive mode select levers.
- Turning in 4WD-Lock (Front Diff Lock) requires more steering effort. Allow more room to turn.

shift & drive select

**WARNING**  
Improper Use of Off-Highway Vehicles Can Cause Severe Injury or Death

**Drive Responsibility**

- Always wear or correct use of safety belts.
- Plan for hills, rough terrain, ruts, and other changes in terrain and weather. Avoid paved surfaces.
- Accid. steering movements, improper shifting, sliding, or lurching and wear do damage.
- Accid. hand acceleration when turning, even when it stops.
- Accid. side hitting during sudden stops.
- Slide down before entering a turn.

**Require Proper Use of Your Vehicle**

- Do not drink or become impaired.
- Do not allow children or reckless drivers.
- Always use proper tie-up technique.
- Do not fall people, climb or ride when rated, climbing or driving.
- Do not allow operation on public roads.
- Use only 1 or an operator rated, designated for off-highway vehicle access — O-Belts.
- Do not exceed seating capacity.

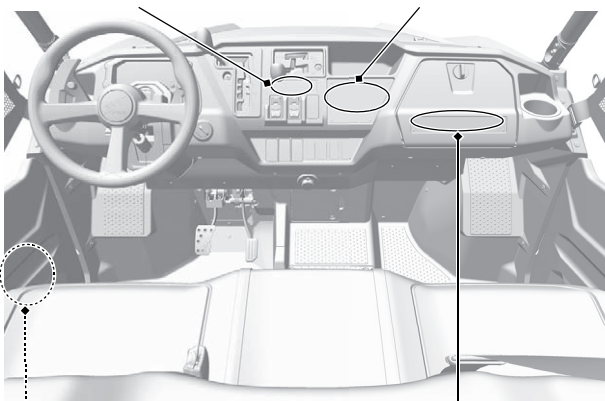
Vehicle	Child	Passenger
SXS1000M5P/M5D	1	2
SXS1000M5P	1	2

**Roll-overs have caused severe injuries and death, even on flat open areas.**

Locate and Read Owner's Manual. Follow All Instructions and Warnings.

**UNDER 16**

general warning



**WARNING**

**Be Prepared**

- Read and follow all instructions.
- Use the correct tie-up technique.
- Do not allow children or reckless drivers.
- Do not fall people, climb or ride when rated, climbing or driving.
- Do not exceed seating capacity.

**Roll-overs have caused severe injuries and death, even on flat open areas.**

general warning

(USA - 49 states, Canada models)

**WARNING**

Improper tire pressure, overloading or overly worn or damaged tires can cause loss of control. Loss of control can result in severe injury or death.

Check tires before each use.

- Cold tire pressure:
  - Front : 20 psi (140 kPa)
  - Rear : 20 psi (140 kPa)
- Maximum weight capacity:
  - 1649 lbs (748 kg)

(Including weight of cargo, occupants, accessories, and, if applicable, trailer tongue load)

(USA - 50 states  
[meets California] models)

**WARNING**

Improper tire pressure, overloading or overly worn or damaged tires can cause loss of control. Loss of control can result in severe injury or death.

Check tires before each use.

- Cold tire pressure:
  - Front : 20 psi (140 kPa)
  - Rear : 20 psi (140 kPa)
- Maximum weight capacity:
  - 1248 lbs (566 kg)

(Including weight of cargo, occupants, accessories, and, if applicable, trailer tongue load)

tire & overload warning

# Safety Labels

## SXS1000M5D Trail/Forest

### SXS1000M5D Forest shown

**Shift and Drive Select Information**

- To avoid drivetrain damage, come to a **STOP** before using the shift or drive mode select levers.

shift & drive select

**WARNING**  
Improper Use of Off-Highway Vehicles Can Cause Severe Injury or Death

**Drive Responsibly**  
Always look or control your behavior:  
• Plan for hills, rough terrain, ruts, and other changes in traction and terrain. Avoid paved surfaces.  
• Avoid abrupt maneuvers, sideways sliding, skidding, or lurching, and avoid on dips.  
• Avoid hard acceleration when turning, especially at stops.  
• Avoid side hill/side riding unless allowed.  
• Take down before entering a turn.

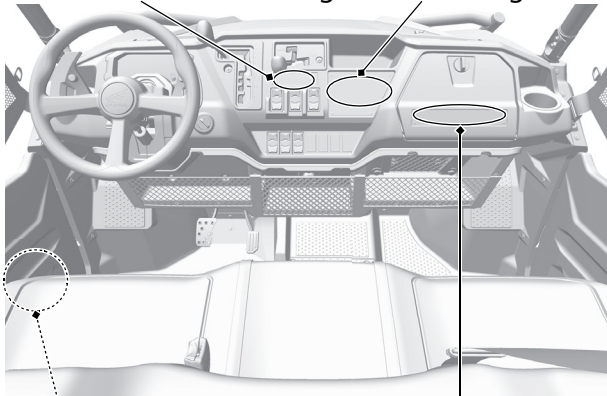
**Require Proper Use of Your Vehicle**  
Do not put in reverse in use:  
• Do not allow children or reckless driving.  
• Make sure operators are 16 or older.  
• Do not let people drive or ride after being limited or stopped.  
• Do not allow operation on public roads (or B or E, as prepared and designated for off-highway vehicle access) – off-roads with care and track-use notice.  
• Do not exceed seating capacity.

Vehicle	Driver	Passenger
SXS1000M5D	1	4
SXS1000M5D	1	4
SXS1000M5D	1	4

**DRIVER UNDER 16**

Followers have caused severe injuries and death, even on flat open areas.  
Locks and Read Owner's Manual. Follow All Instruction and Warnings.

general warning



**WARNING**

**Be Prepared**  
• Be prepared for:  
• Heavy or uneven loads and protrusions.  
• Sharp turns or slow vehicle stops.  
• Uneven terrain and/or uneven roads.  
• Obstacles on each side (e.g., trees, rocks, etc.)  
• Wet, icy, or uneven ground, and/or low-traction surfaces.

**Be Sure Riders Pay Attention and Plan Ahead**  
• Do not drink and drive.  
• Do not drink or use alcohol or drugs.  
• Do not drink or use alcohol or drugs on the way home.  
• Do not drink or use alcohol or drugs on the way to work.  
• Check for and correct tire wear, cracks, and/or leaks before each ride.

general warning

(USA - 49 states, Canada models)

**WARNING**

Improper tire pressure, overloading or overly worn or damaged tires can cause loss of control. Loss of control can result in severe injury or death. Check tires before each use.

•Cold tire pressure: Front : 20 psi (140 kPa) Rear : 20 psi (140 kPa)	•Maximum weight capacity: 1649 lbs (748 kg) (including weight of cargo, occupants, accessories, and, if applicable, trailer tongue load)
---	--

(USA - 50 states  
[meets California] models)

**WARNING**

Improper tire pressure, overloading or overly worn or damaged tires can cause loss of control. Loss of control can result in severe injury or death. Check tires before each use.

•Cold tire pressure: Front : 20 psi (140 kPa) Rear : 20 psi (140 kPa)	•Maximum weight capacity: 1248 lbs (568 kg) (including weight of cargo, occupants, accessories, and, if applicable, trailer tongue load)
---	--

tire & overload warning

This page intentionally left blank.

# Instruments & Controls

---

The items listed below are described in this section.

Operation Component Locations .....	17
Indicators & Displays .....	24
Neutral Indicator .....	26
Reverse Indicator .....	26
Electric Power Steering (EPS) Indicator .....	26
4WD Differential Lock Indicator .....	26
High Coolant Temperature Indicator .....	26
PGM-FI Malfunction Indicator Lamp (MIL) .....	26
Seat Belt Indicator .....	26
Low Oil Pressure Indicator .....	27
Hill Start Assist (HSA) Indicator .....	27
<i>i</i> - 4WD Indicator .....	27
Clutch Temperature Indicator .....	27
Multi-function Display .....	30
Speedometer .....	31
Tachometer .....	32
Fuel Gauge .....	33
Odometer Display .....	34
Maintenance Minder Indicator .....	39
Digital Clock .....	40
Gear Position Display .....	42
AT Indicator, MT Indicator / LOW Indicator .....	43
SPORT Indicator .....	43
Drive Mode Indicator (SXS1000M3P/M3D Deluxe/M5P/M5D Deluxe) .....	44
Drive Mode Indicator (SXS1000M3D Trail/M3D Forest/M5D Trail/ M5D Forest) .....	45
Driver Controls .....	46
Ignition Switch .....	46
Headlight Switch .....	47
Shift Select Lever .....	48
Drive Mode Select Lever (SXS1000M3P/M3D Deluxe/M5P/M5D Deluxe) .....	49
Drive Mode Select Lever (SXS1000M3D Trail/M3D Forest/M5D Trail/M5D Forest) .....	51

(cont'd)



# Instruments & Controls

---

AT/MT Switch .....	53
SPORT Switch .....	54
Hill Start Assist (HSA) Switch (SXS1000M3D Trail/M3D Forest/M5D Trail/M5D Forest only) .....	55
Winch Switch (SXS1000M3D Trail/M3D Forest/M5D Trail/M5D Forest only) .....	56
Courtesy Light Switches (SXS1000M3D Trail/M3D Forest/M5D Trail/M5D Forest only) .....	57
Shift Paddles.....	59
Steering Wheel Adjustment Lever .....	60
Doors .....	62
Side Nets .....	64
Side Nets Set Up .....	65
Front Side Nets .....	67
Rear Side Nets (SXS1000M5P/M5D only).....	68
Roll Up The Side Nets.....	69
Seat.....	71
Seat.....	71
Rear Seat Conversion (SXS1000M5P/M5D only).....	72
Rear Seat Stopper Adjustment (SXS1000M5P/M5D only) .....	74
Seat Belts .....	75
Seat Belts.....	75
Passenger Handhold .....	82
Passenger Handhold .....	82
Back Mirror .....	83
Back Mirror (SXS1000M3D Trail/M5D Trail only) .....	83
Storage Compartments .....	84
Accessory Power Sockets .....	89
Cargo Bed Controls .....	91
Tailgate Levers.....	91
Tie-Down Hooks .....	92
Tilt Bed Lever .....	93
Trailer Hitch.....	95
Electronic Brakeforce Distribution (EBD) (SXS1000M3D Trail/M3D Forest/M5D Trail/M5D Forest only) .....	96
Electric Power Steering (EPS).....	97

# Operation Component Locations

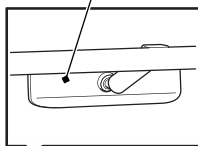
---

SXS1000M5D Forest shown

front side net (page 64)

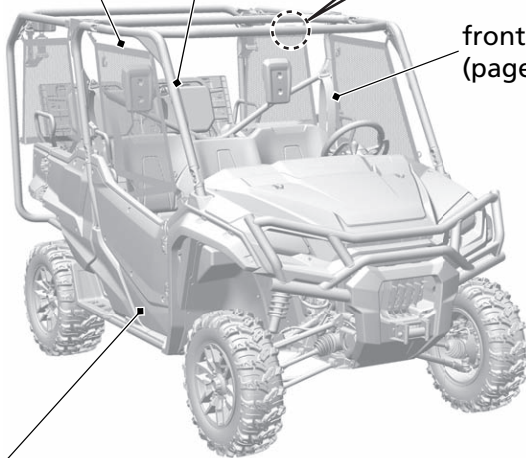
passenger handhold (page 82)

back mirror  
(SXS1000M3D Trail/M5D  
Trail only)  
(page 83)



front seat belt  
(page 75)

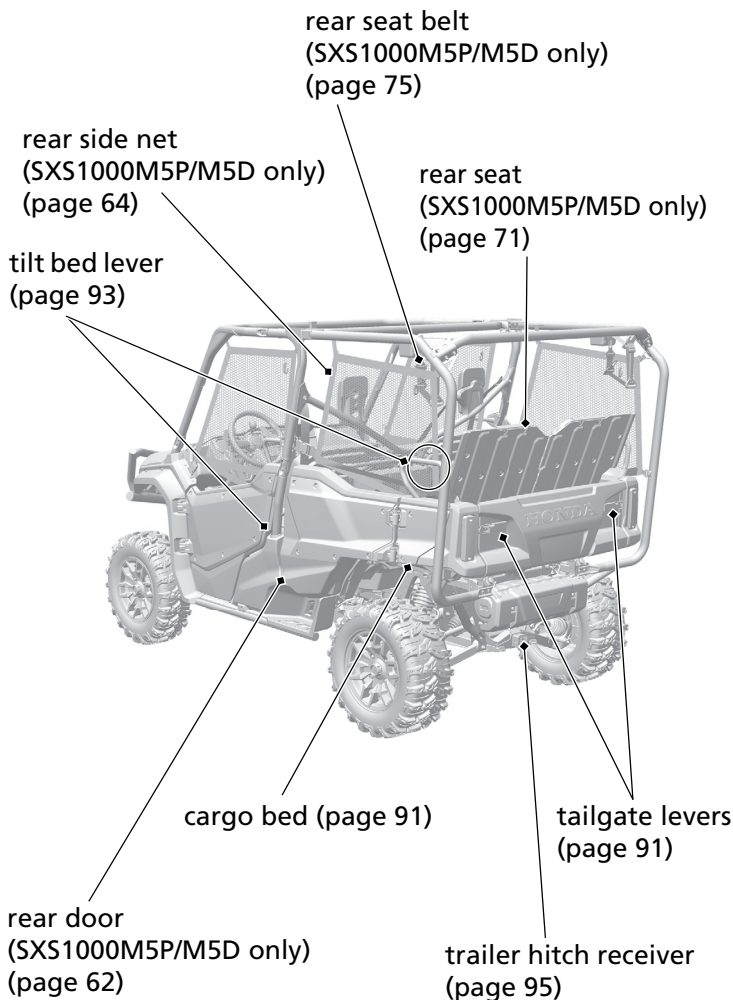
front door (page 62)



# Operation Component Locations

---

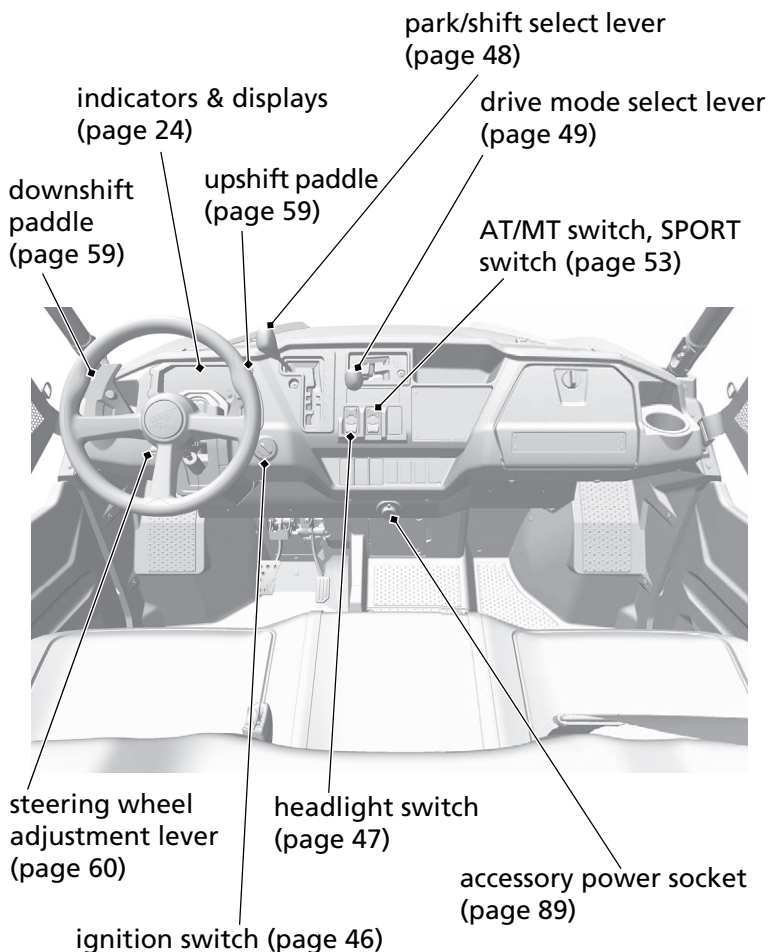
SXS1000M5D Forest shown



# Operation Component Locations

---

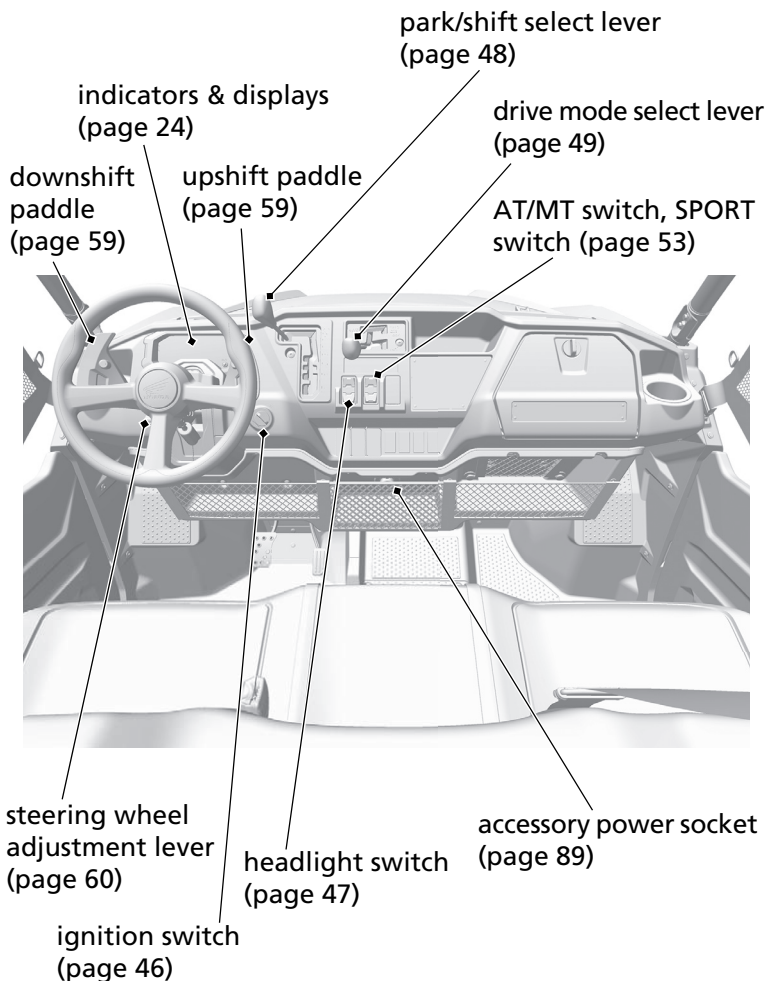
## SXS1000M3P/M5P



# Operation Component Locations

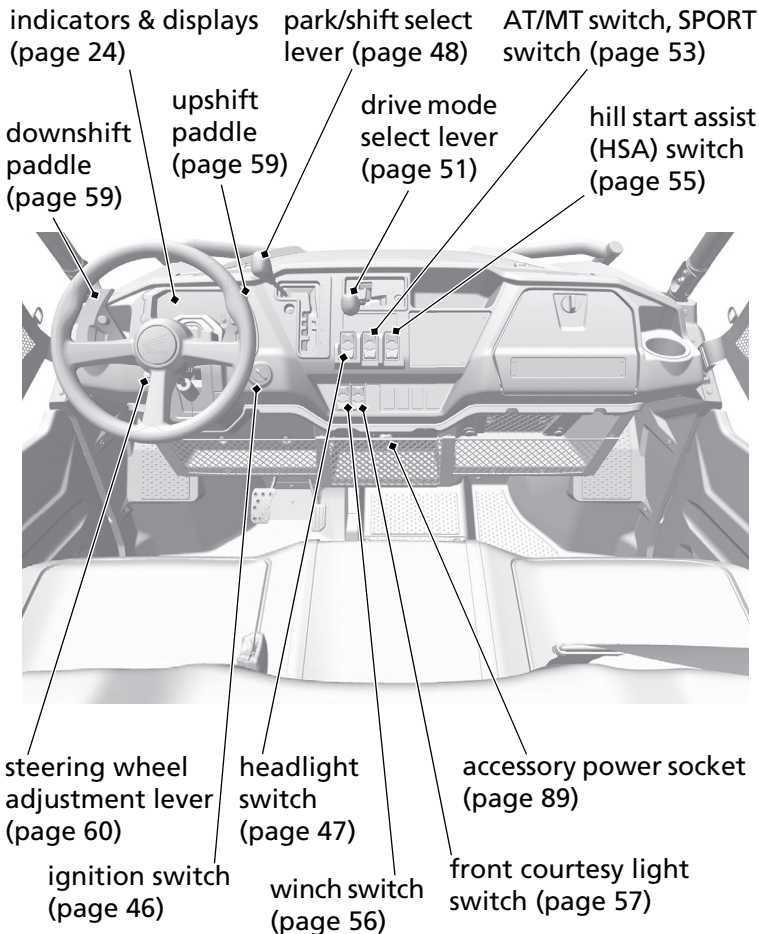
---

## SXS1000M3D Deluxe/M5D Deluxe



# Operation Component Locations

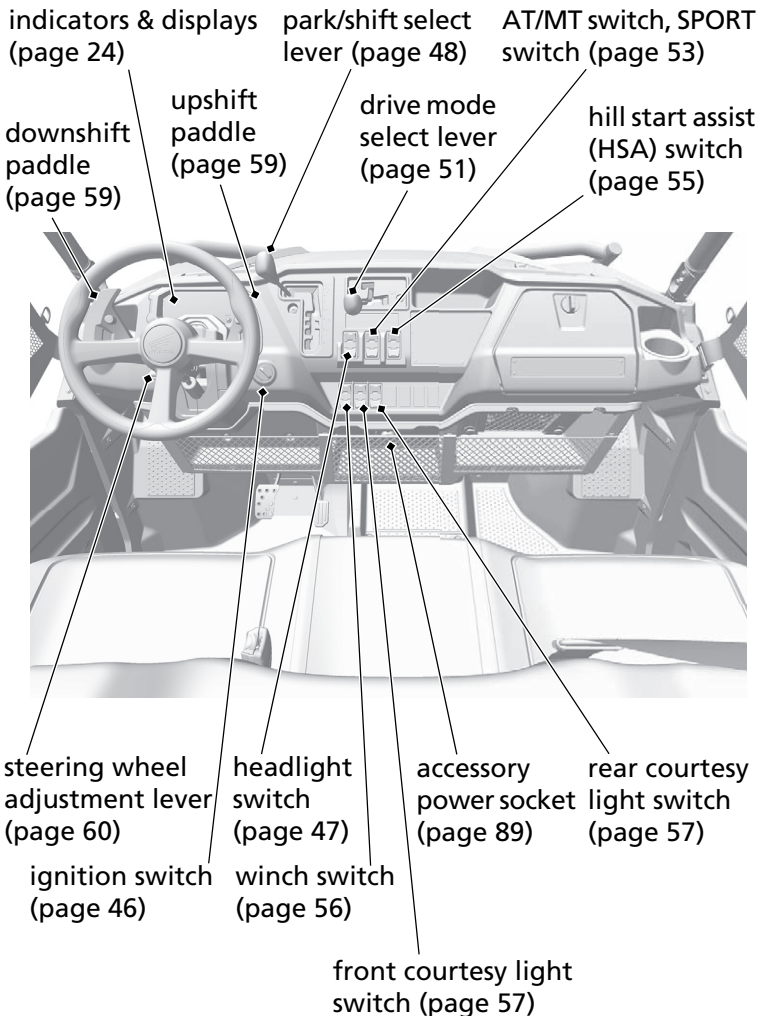
## SXS1000M3D Trail/M5D Trail



# Operation Component Locations

---

## SXS1000M3D Forest/M5D Forest

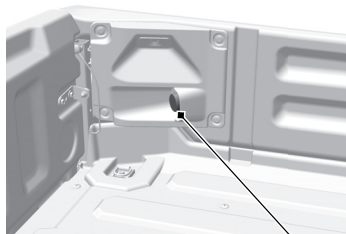


# Operation Component Locations

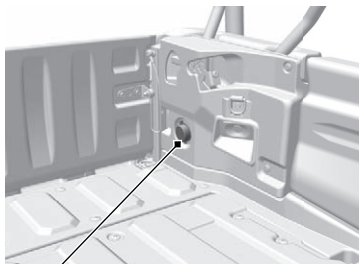
---

## SXS1000M3D/M5D

(SXS1000M3D)



(SXS1000M5D)



accessory power socket  
(page 89)



# Indicators & Displays

---

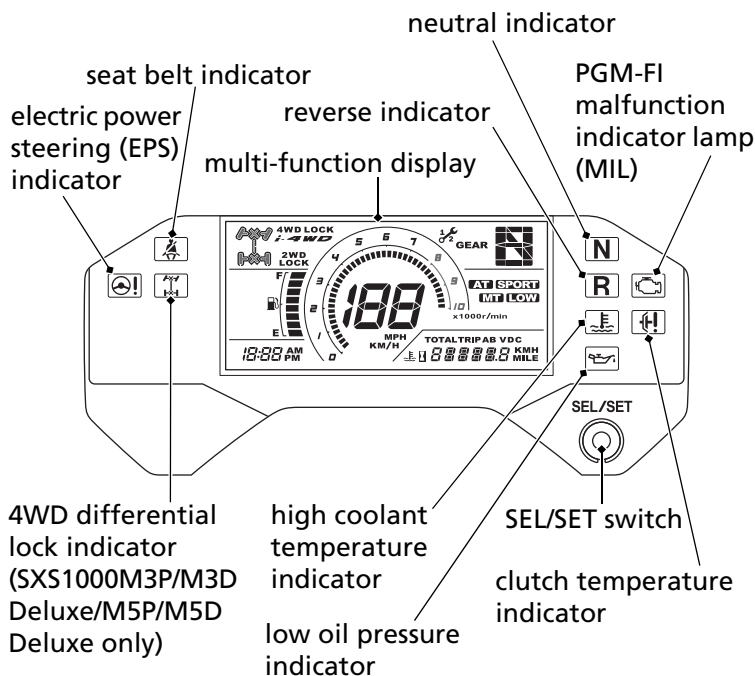
The indicators and displays on your Honda SXS keep you informed, alert you to possible problems, and make your driving safer and more enjoyable. Refer to the indicators frequently. Their functions are described on the following pages.

## Lamp Check

The indicators come on and go off sequentially when you turn the ignition switch to the ON ( I ) position.

If one of these indicators does not come on when it should, have your dealer check for problems.

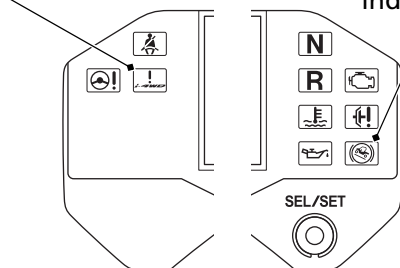
# Indicators & Displays



SXS1000M3D Trail/M3D Forest/M5D Trail/M5D Forest only

*i* - 4WD indicator

hill start assist (HSA) indicator



# Indicators & Displays

---

**N Neutral Indicator**

This indicator comes on and stays on when the transmission is in neutral.

**R Reverse Indicator**

This indicator comes on and stays on when the transmission is in reverse.



**Electric Power Steering (EPS) Indicator**

This indicator comes on when the ignition switch is turned on and remains on until the engine is started.

This indicator comes on and stays on when there is abnormality in the electric power steering system.



**4WD Differential Lock Indicator**

(SXS1000M3P/M3D Deluxe/M5P/M5D Deluxe only)

This indicator will be on when the four-wheel differential gears are engaged (page 44).



**High Coolant Temperature Indicator**

This indicator comes on and stays on when the coolant temperature is high enough to adversely affect the service life of the engine. If this indicator comes on while you are driving, stop as soon as possible, turn the engine off, and let it cool.



**PGM-FI Malfunction Indicator Lamp (MIL)**

This indicator comes on and stays on when there is a problem with your vehicle's engine system. If this happens, reduce speed and take your vehicle to a dealer as soon as possible.



**Seat Belt Indicator**

This indicator starts blinking if the driver's seat belt is not latched and remains blinking until the driver's seat belt is latched.

If the driver's seat belt is not latched properly, the maximum vehicle speed will be limited by the seat belt speed limiting system (page 76).

# Indicators & Displays

---



## Low Oil Pressure Indicator

This indicator comes on when the ignition switch is turned on and remains on until the engine is started.

This indicator comes on and stays on when the DCT oil pressure is low. If this indicator comes on while you are driving, stop as soon as possible, turn the engine off and check for oil leaks and oil level.

This indicator also comes on when the emergency valve is operated. (See more details about the emergency valve on page 256)



## Hill Start Assist (HSA) Indicator

(SXS1000M3D Trail/M3D Forest/M5D Trail/M5D Forest only)

This indicator comes on briefly when the ignition switch is turned on.

This indicator comes on when HSA is being used (page 55).



## *i* - 4WD Indicator

(SXS1000M3D Trail/M3D Forest/M5D Trail/M5D Forest only)

This indicator comes on briefly when the ignition switch is turned on.

This indicator comes on and stays on when there is a problem with your vehicle's HSA (Hill Start Assist), BTCS (Brake Traction Control System) and EBD (Electronic Brakeforce Distribution). If this happens, reduce speed and take your vehicle to a dealer as soon as possible.



## Clutch Temperature Indicator

This indicator comes on briefly when the ignition switch is turned on.

If the indicator light does not go off after indicator lamp check, have your vehicle inspected by your dealer.

This indicator flashes when the clutch temperature is unusually high. If the indicator flashes while driving, see page 263.

# Indicators & Displays

---

Multi-function display	This display includes the following functions.
Speedometer	Shows driving speed in miles or kilometers per hour (page 31).
Tachometer	Shows the engine rpm (page 32).
Fuel gauge	Shows approximate fuel supply available (page 33).
Odometer display	Shows the odometer, tripmeter A/B, coolant temperature gauge, hour meter, voltmeter, maintenance tripmeter and maintenance hour meter (page 34).
Maintenance minder indicator	Shows when specified maintenance interval is reached (page 39).
Digital clock	Shows the time (hours and minutes) (page 40).
Gear position display	Shows the gear position (page 42).
AT/MT/SPORT/LOW indicator	Shows the transmission mode (page 43).
Drive mode indicator	Shows the driving mode (page 44).
SEL/SET switch	This switch is used to select the mode, to change the mileage unit and adjust/ resets the digital clock, tripmeter A/B and hour meter (page 30).

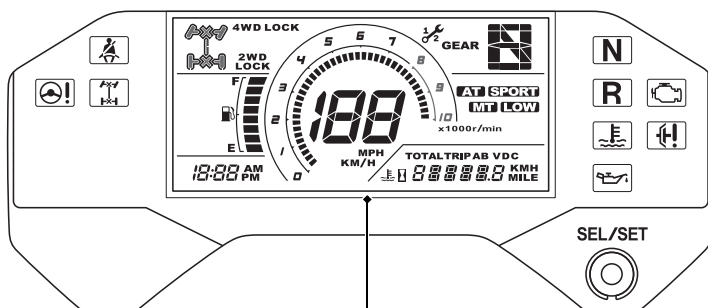
# Indicators & Displays

## Display Check

When the ignition switch is turned ON ( I ), the multi-function display will temporarily show all the modes and digital segments and initial message. This is so you can make sure the liquid crystal display is functioning properly.

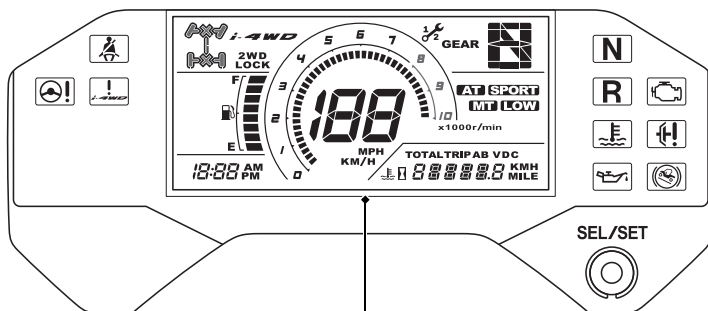
If any part of this display does not come on during the key on check, have your dealer check for problems.

## SXS1000M3P/M3D Deluxe/M5P/M5D Deluxe



multi-function display

## SXS1000M3D Trail/M3D Forest/M5D Trail/M5D Forest



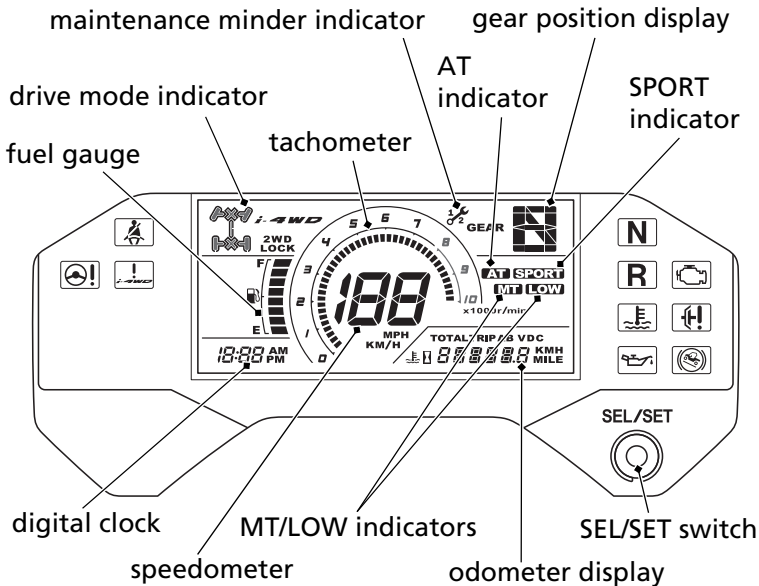
multi-function display

# Indicators & Displays

## Multi-function Display

The multi-function display consists of the following function displays:

- Speedometer
- Tachometer
- Fuel gauge
- Odometer display
- Maintenance minder indicator
- Digital clock
- Gear position display
- AT indicator
- MT/LOW indicators
- SPORT indicator
- Drive mode indicator



# Indicators & Displays

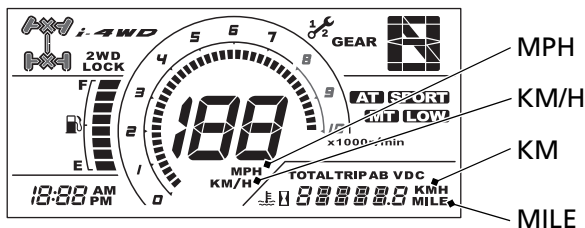
## Speedometer

This display shows speed in miles or kilometers per hour.

### Mileage Unit Change

The speedometer, odometer, tripmeter A/B, and maintenance tripmeter show in either “MPH” and “MILE” or “KM/H” and “KM”.

To change the mileage unit, press and hold the SEL/SET switch for more than 5 seconds in TOTAL odometer mode (page 34) with the vehicle stopped.



### SEL/SET



SEL/SET switch

### Speedometer Blinking

If the speedometer digits and seat belt indicator blink simultaneously while you are driving, the maximum vehicle speed will be limited to no more than 15 mph (24 km/h) by the seat belt speed limiting system (page 76).



# Indicators & Displays

---

## Tachometer

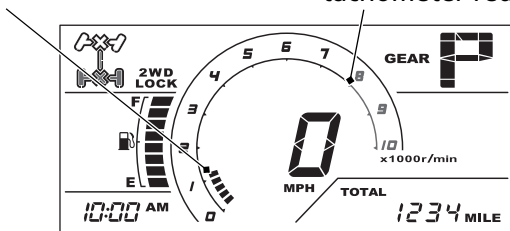
This display shows the engine speed in revolutions per minute (rpm).

### NOTICE

*Do not operate the engine in the tachometer red zone. Excessive engine speed can adversely affect engine life.*

tachometer

tachometer red zone

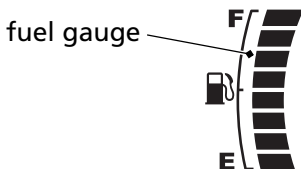


# Indicators & Displays

## Fuel Gauge

The fuel gauge shows the approximate fuel supply available. The fuel tank capacity is:

7.9 US gal (30 ℓ)



When the last segment blinks, you should refill the tank as soon as possible. The amount of fuel remaining when the blinking starts is approximately:

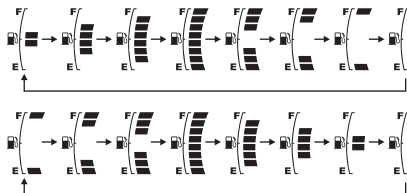
1.69 US gal (6.4 ℓ)



Fuel gauge failure:

If the fuel system has an error, the fuel gauge indicators will be displayed as shown in the illustrations.

If this occurs, see your dealer as soon as possible.

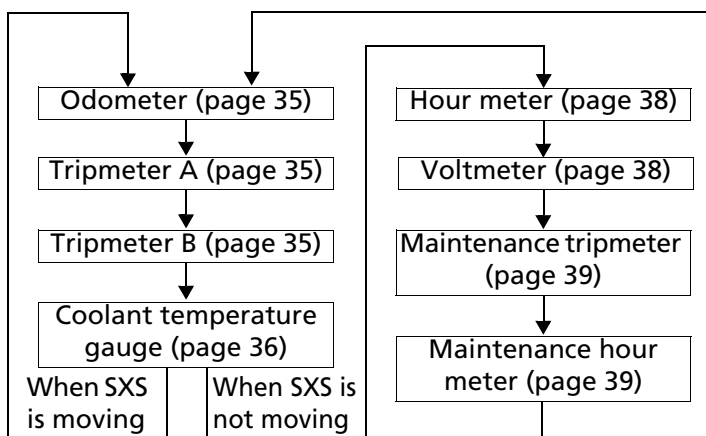


# Indicators & Displays

## Odometer Display

This display includes the odometer, tripmeter A/B, coolant temperature gauge, hour meter, voltmeter, maintenance tripmeter, and maintenance hour meter.

Each time you press the SEL/SET switch, the mode will change as shown in the illustration.

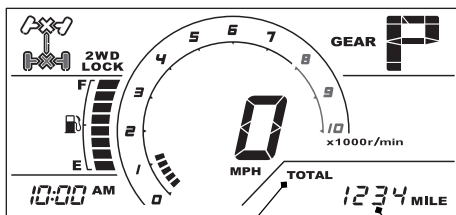


If there are unusual indications with coolant temperature system, and SEL/SET switch is not pressed for 10 seconds, it will automatically switch to the coolant temperature system warning display (page 37).

# Indicators & Displays

## Odometer

The odometer shows the total miles or kilometers ridden with the TOTAL display. The odometer locks at 999,999 when the readout exceeds 999,999.

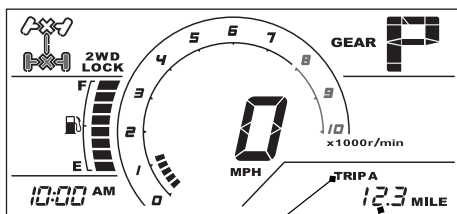


TOTAL display      odometer

## Tripmeter A/B

The tripmeter A and tripmeter B show the number of miles or kilometers ridden, since you last reset the tripmeter. The tripmeter returns to 0.0 when the readout exceeds 9,999.9.

To reset tripmeter A or B, press and hold the SEL/SET switch while the display is in TRIP A or TRIP B mode, respectively.



TRIP A display      tripmeter

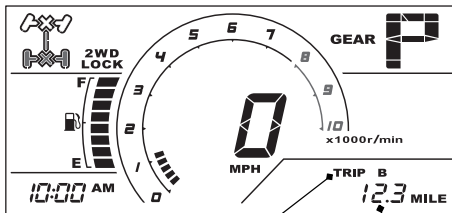
**SEL/SET**



SEL/SET switch

# Indicators & Displays

---

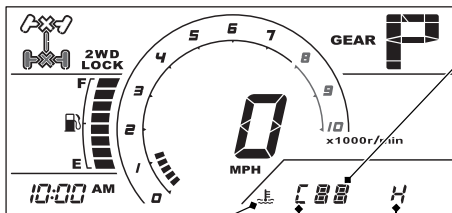


TRIP B display

tripmeter

## Coolant temperature gauge

The coolant temperature gauge shows engine coolant temperature with the coolant temperature gauge display. When the segment begins to move above the C (Cold) display, the engine is warm enough for the SXS to be ridden. When the coolant temperature is low, the coolant temperature gauge will display "Lo". The normal operating temperature range is within the section between the H and C displays.



coolant temperature gauge

coolant temperature display

C

H

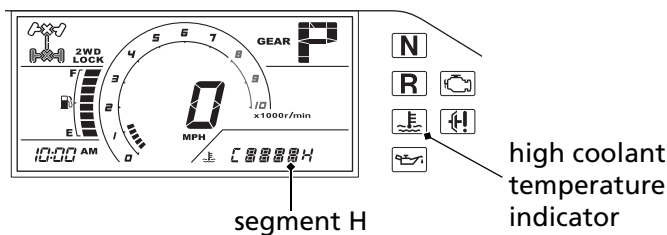
# Indicators & Displays

If all sections of the coolant temperature gauge, including segment H and the high coolant temperature indicator are on, the engine is overheated. Stop the engine and check the reserve tank coolant level.

Read pages 261 – 262 and do not drive the SXS until the problem has been corrected.

## NOTICE

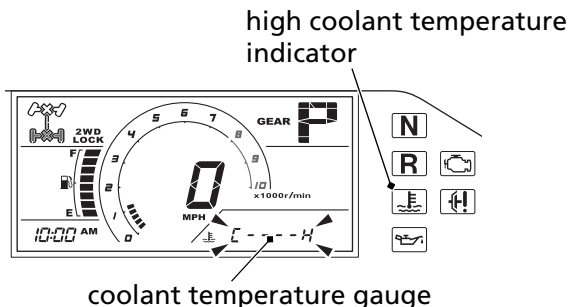
*Continuing to ride with an overheated engine can cause serious engine damage.*



Coolant temperature gauge failure:

If the coolant temperature system has an error, the coolant temperature gauge will appear in the display and blink, and the high coolant temperature indicator will turn on.

If this occurs, see your dealer as soon as possible.

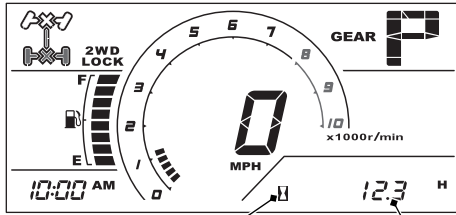


# Indicators & Displays

---

## Hour meter

The hour meter display shows accumulated hours while the ignition is ON (I). The hour meter locks at 99,999.9 when the readout exceeds 99,999.9.

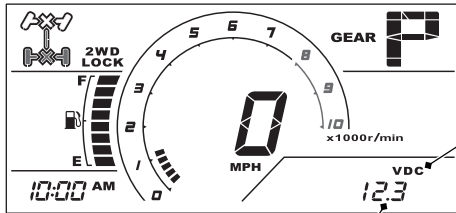


hour meter display

hour meter

## Voltmeter

The voltmeter display shows battery voltage with the VDC display.



VDC display

voltmeter

# Indicators & Displays

## Maintenance Minder Indicator

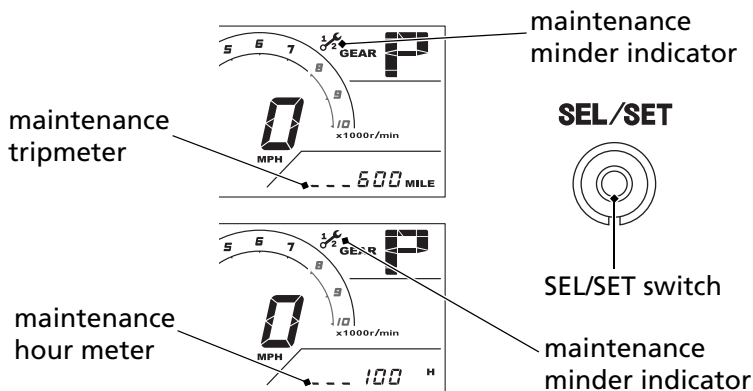
The maintenance minder indicator appears in the display when the mileage or operating hours on your Honda SXS reach the maintenance interval specified on the maintenance schedule (page 141).

Reset the indicator after each scheduled maintenance is performed. If the scheduled maintenance is performed before the maintenance minder indicator appears, be sure to reset the maintenance minder after performing the scheduled maintenance.

Resetting the indicator:

To reset the indicator, press and continue to hold the SEL/SET switch and turn the ignition switch to ON (I). The indicator message will light up, and after 2 seconds will blink twice to indicate the maintenance minder indicator is reset.

The maintenance tripmeter and maintenance hour meter will also reset. See more details about the maintenance minder indicator on page 139.





# Indicators & Displays

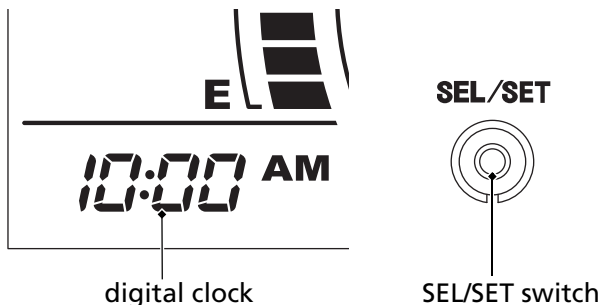
---

## Digital Clock

The digital clock shows the hour and minutes with the 12-hour clock display.

To set the time:

1. Turn the ignition switch to ON (I).
2. Change to the hour meter display (page 34).



3. Press and hold the SEL/SET switch, and the hour digits will start blinking. Press the SEL/SET switch until the desired hour is displayed.



# Indicators & Displays

---

4. Press and hold the SEL/SET switch, and the minute digits will start blinking. Press the SEL/SET switch until the desired minute is displayed.



5. Press and hold the SEL/SET switch, and the "AM" or "PM" will start blinking. Press the SEL/SET switch to select "AM" or "PM".



6. To complete setting the clock, press and hold the SEL/SET switch, or turn the ignition switch OFF (O).

# Indicators & Displays

---

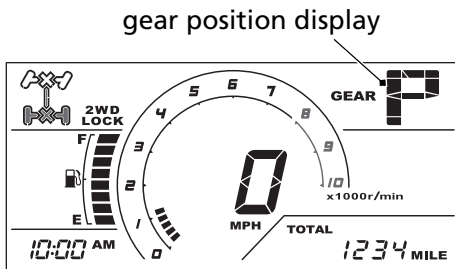
## Gear Position Display

The gear position display shows the selected shift position by the shift select lever (page 48).

The indicator displays P for park, N for neutral, R for reverse, H for high-range, L for low-range, and 1 – 6 for gear positions (shift paddles operation)

“–” will be displayed on the gear position display when the transmission is not shifted into gear properly. Before driving, check that the gear position is properly displayed on the gear position display.

If the gear position display blinks, see *If the Transmission Is Not Functioning Properly*, page 253.



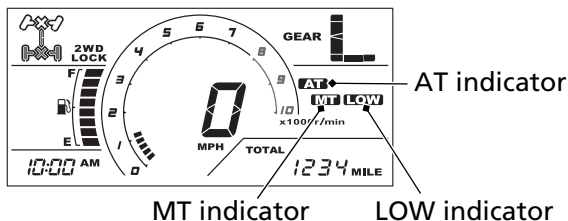
# Indicators & Displays

## AT Indicator, MT Indicator / LOW Indicator

These indicators display the transmission mode of the SXS.

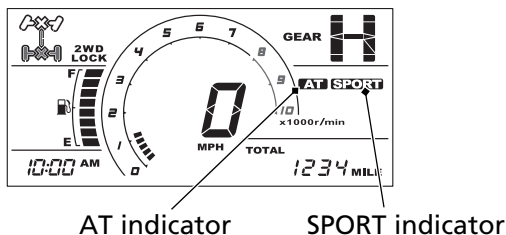
The indicators display: AT for automatic shift mode, MT for manual shift mode.

To switch between AT mode and MT mode, press the AT/MT switch (page 53). When MT mode is selected in low-range (L), the LOW indicator also comes on.



## SPORT Indicator

When AT mode is selected, pressing the SPORT switch displays the SPORT indicator (page 54).



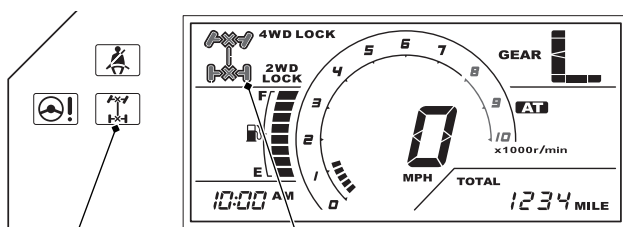
# Indicators & Displays

## Drive Mode Indicator (SXS1000M3P/M3D Deluxe/M5P/M5D Deluxe)

The drive mode indicator shows the selected drive mode by the drive mode select lever (page 49, 120).

### 4WD differential lock indicator

This indicator comes on when the differential gears are engaged.



4WD differential lock indicator

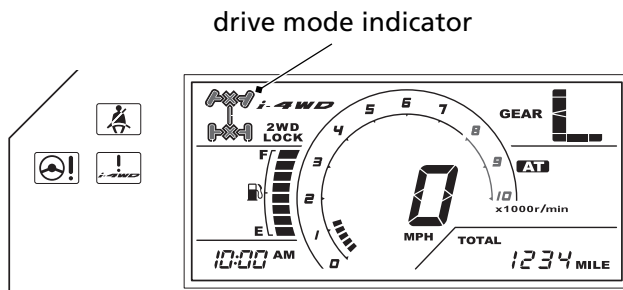
drive mode indicator




drive mode select lever position	<b>Turf</b>	<b>2WD</b>	<b>4WD</b>	<b>4WD Diff Lock</b>
drive mode indicator				
4WD differential lock indicator	No indicator light.			

# Indicators & Displays

## Drive Mode Indicator (SXS1000M3D Trail/M3D Forest/M5D Trail/M5D Forest)

The drive mode indicator shows the selected drive mode by the drive mode select lever (page 51, 120).



drive mode select lever position	<b>Turf</b>	<b>2WD</b>	<b><i>i - 4WD</i></b>
drive mode indicator		 2WD LOCK	 <i>i - 4WD</i> LOCK

# Driver Controls

---

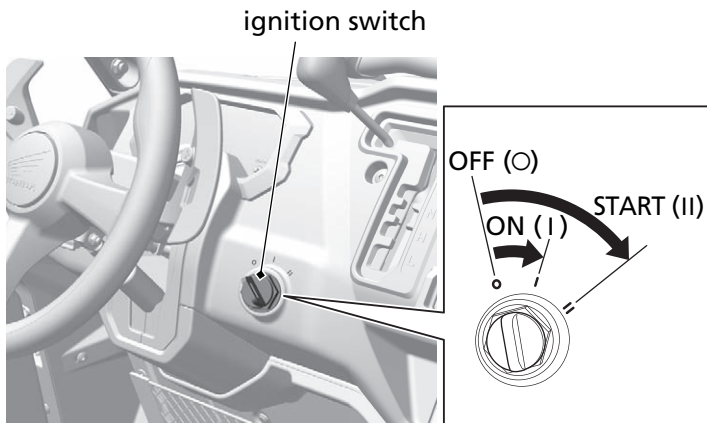
## Ignition Switch

The ignition switch is a three-position, key-operated switch used to start and stop the engine.

**OFF (O)** — The engine and all electrical circuits are off. The key can be inserted and removed only when it is in this position.

**ON (I)** — The electrical circuits are on. You can use the accessory power socket in this position.

**START (II)** — This position is used only to start the engine. The key will automatically return to the ON (I) position when you let go of it.



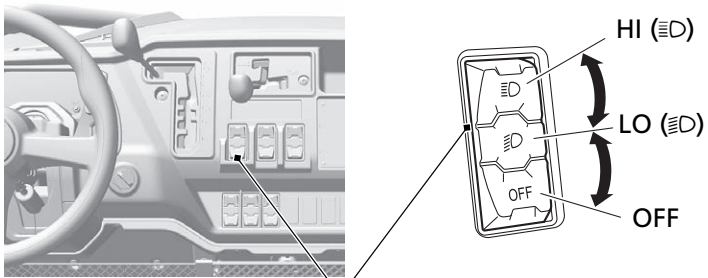
# Driver Controls

## Headlight Switch

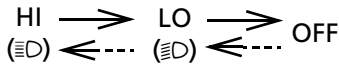
The headlight switch is located on the right side of the shift select lever. This switch turns the headlights and taillights on and off, and changes between low beam or high beam.

For example, if you change the headlight position from OFF to HI, push the HI side of headlight switch twice. If you change the headlight position from HI to LO, push the OFF side of headlight switch once.

SXS1000M5D Forest shown



headlight switch



- > Push "HI" side of headlight switch
- > Push "OFF" side of headlight switch

**OFF** — The headlights and taillights are off.

**LO** (with low beam symbol) — The headlights and taillights are on. The headlights are low beam.

**HI** (with high beam symbol) — The headlights and taillights are on. The headlights are high beam.

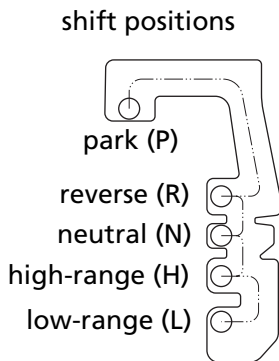
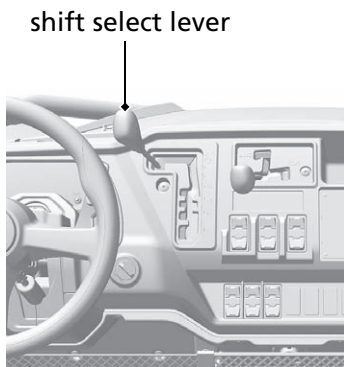


# Driver Controls

## Shift Select Lever

Your Honda SXS is equipped with an automatically controlled 6-speed transmission. The shift select lever, located to the right of the steering wheel, has five positions: park (P), reverse (R), neutral (N), high-range (H), and low-range (L).

SXS1000M5D Forest shown



You should move the shift select lever only when the vehicle is stopped with your foot on the brake pedal and with the engine idling. Use a firm motion to select the appropriate gear. Have your vehicle checked by a dealer if you experience any shifting problems.

### NOTICE

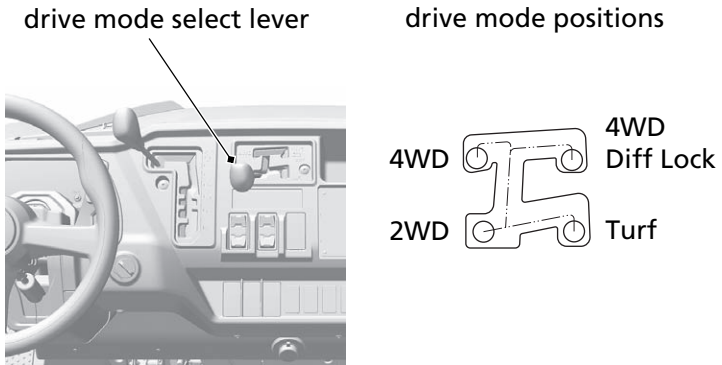
*Do not attempt to move the shift select lever with the engine speed above idle or while the vehicle is moving, as you may damage the transmission.*

# Driver Controls

## Drive Mode Select Lever (SXS1000M3P/M3D Deluxe/ M5P/M5D Deluxe)

The drive mode select lever, located to the right of the shift select lever, has four drive mode positions: Turf, 2WD, 4WD and 4WD Diff Lock (page 120).

SXS1000M3P shown



To check your present drive mode, look at the drive mode indicator and 4WD differential lock indicator.

drive mode select lever position	Turf	2WD	4WD	4WD Diff Lock
drive mode indicator				
4WD differential lock indicator	No indicator light.			

# Driver Controls

---

You should change drive modes only when the vehicle is stopped and the engine is idling.

## NOTICE

*Changing drive modes while the vehicle is moving could damage the drivetrain.*

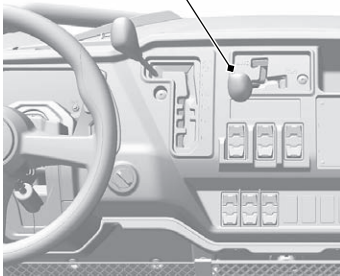
After changing the drive mode, drive several yards, make right and left turns, and make sure the indicators work properly. If the indicators do not go out or come on according to the drive mode position, see your dealer.

# Driver Controls

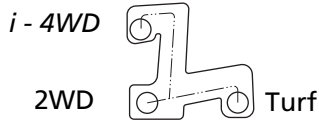
## Drive Mode Select Lever (SXS1000M3D Trail/M3D Forest/M5D Trail/M5D Forest)

The drive mode select lever, located to the right of the shift select lever, has three drive mode positions: Turf, 2WD and *i*-4WD (page 120).

drive mode select lever



drive mode positions



To check your present drive mode, look at the drive mode indicator.

drive mode select lever position	<b>Turf</b>	<b>2WD</b>	<b><i>i</i>-4WD</b>
drive mode indicator			

# Driver Controls

---

You should change drive modes only when the vehicle is stopped and the engine is idling.

## NOTICE

*Changing drive modes while the vehicle is moving could damage the drivetrain.*

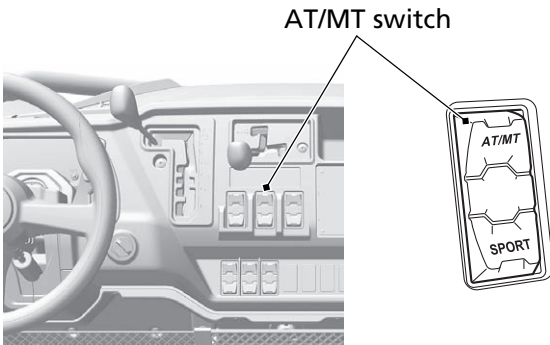
After changing the drive mode, drive several yards, make right and left turns, and make sure the indicators work properly. If the indicators do not go out or come on according to the drive mode position, see your dealer.

# Driver Controls

## AT/MT Switch

The AT/MT switch is below the drive mode select lever. When the shift select lever is in the high-range (H) or low-range (L) position, you can switch between AT mode and MT mode by pressing the AT/MT switch.

SXS1000M5D Forest shown



# Driver Controls

---

## SPORT Switch

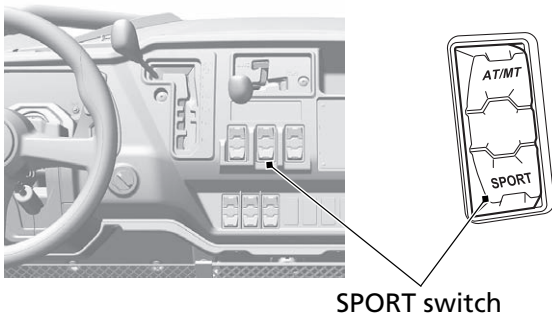
The SPORT switch is under the AT/MT switch.

When AT mode is selected and the shift select lever is in the high-range (H) position, you can switch between turning SPORT mode on and off by pressing the SPORT switch.

When the shift select lever is in the low-range (L) position, SPORT mode will not turn on even if the SPORT switch is pressed.

When MT mode is selected, SPORT mode will not turn on even if the SPORT switch is pressed.

SXS1000M5D Forest shown



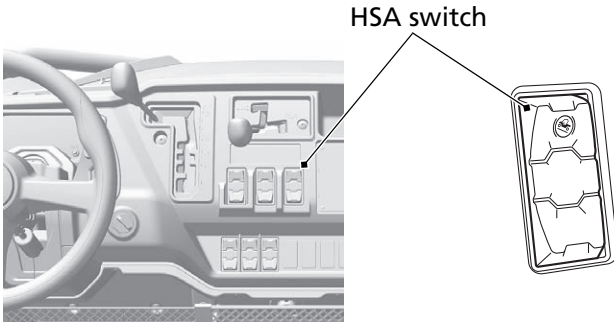
SPORT switch

# Driver Controls

## Hill Start Assist (HSA) Switch (SXS1000M3D Trail/M3D Forest/M5D Trail/M5D Forest only)

The Hill Start Assist (HSA) switch is below the drive mode select lever.

HSA keeps the brake pressure applied briefly to help prevent the vehicle from rolling on inclines as you move your foot from the brake pedal to the accelerator pedal.



To operate HSA:

1. Press and hold the brake pedal to hold the vehicle.
2. Make sure the shift select lever is in "H" or "L" when facing uphill, or "R" when facing downhill.
3. Press and hold the HSA switch until the HSA indicator comes on.
4. Release the pressure from the brake pedal and apply the accelerator.
  - HSA is active for 1.5 seconds or until the accelerator is applied. HSA will self cancel if the accelerator is not applied within 1.5 seconds of pushing the HSA switch.
  - HSA is not a parking brake.
  - HSA may not prevent the vehicle from rolling downhill if the vehicle is overloaded, on a steep hill, or sliding in slippery conditions.

### NOTICE

*Avoid prolonged Hill Start Assist (HSA) use, as continuous operation may cause the system to overheat and fail.*



# Driver Controls

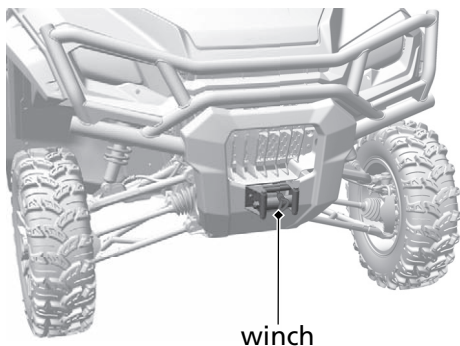
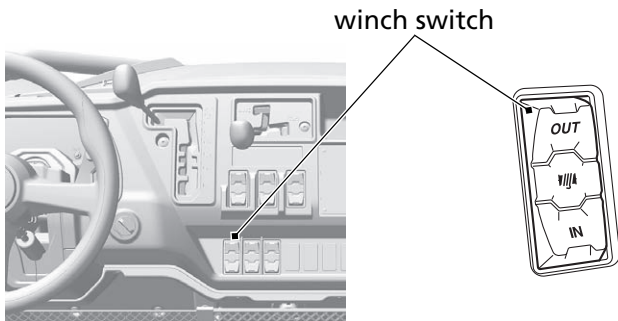
---

## Winch Switch (SXS1000M3D Trail/M3D Forest/M5D Trail/M5D Forest only)

The winch switch is below the headlight switch.

For details on winch switch operation, refer to the attached winch manual.

SXS1000M5D Forest shown

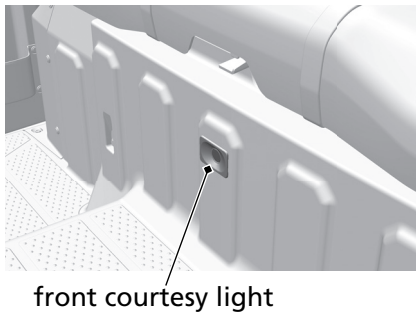
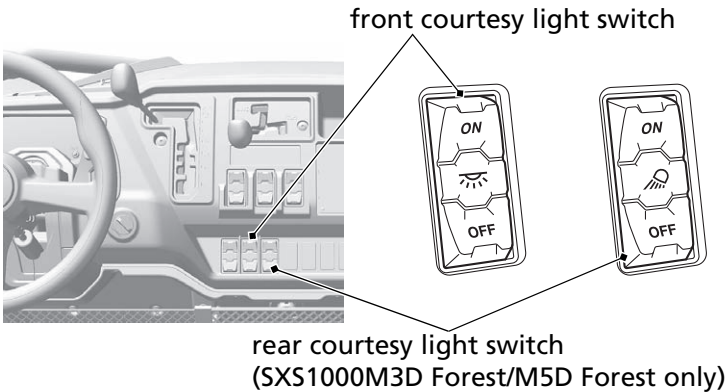


# Driver Controls

## Courtesy Light Switches (SXS1000M3D Trail/M3D Forest/M5D Trail/M5D Forest only)

The courtesy light switches are below the drive mode select lever.

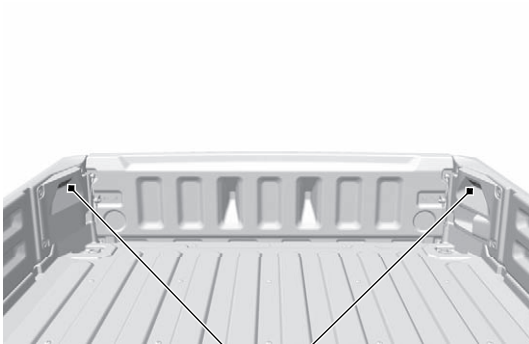
These switches turn the front courtesy light and rear courtesy lights (SXS1000M3D Forest/M5D Forest only) on and off.



# Driver Controls

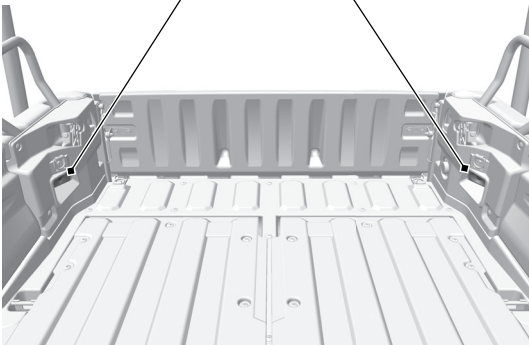
---

(SXS1000M3D Forest)



rear courtesy lights

(SXS1000M5D Forest)

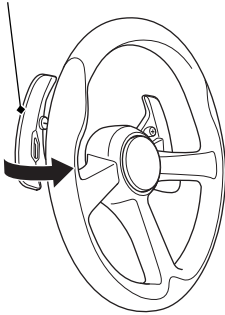


# Driver Controls

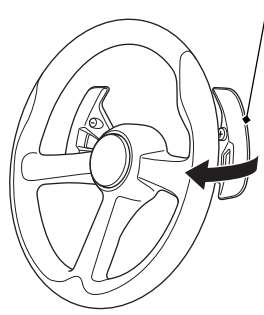
## Shift Paddles

Your Honda SXS is equipped with a pair of shift paddles that are located behind the steering wheel.

downshift paddle (-)



upshift paddle (+)



Pull the upshift paddle (+) to shift to a higher gear position and the downshift paddle (-) to shift to a lower gear position.

In MT mode, the shift paddles are operated to drive the SXS. In AT mode, you can drive the SXS without operating the shift paddles. You can also operate the shift paddles to temporarily change the gear position. (See page 114 for more information)

# Driver Controls

---

## Steering Wheel Adjustment Lever

Your Honda SXS is equipped with a height-adjustable steering wheel. Adjust the steering wheel position so that you can comfortably grip the steering wheel in an appropriate driving posture.

### **WARNING**

Adjusting the steering wheel position while driving may cause you to lose control of the vehicle and be seriously injured in a crash. Adjust the steering wheel only when the vehicle is stopped.

### **NOTICE**

*The steering wheel position damper unit contains high pressure nitrogen gas. Do not attempt to disassemble, service, or improperly dispose of the damper. See your dealer.*

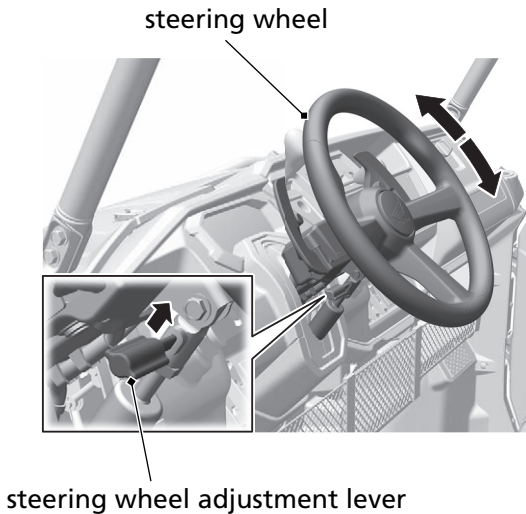
# Driver Controls

---

## Adjust

1. Hold the steering wheel and pull the steering wheel adjustment lever up towards you.
2. While pulling the steering wheel adjustment lever towards you, adjust the steering wheel position.  
Make sure you can see the gauges and indicators at the adjusted position.
3. Release the steering wheel adjustment lever.
4. After adjusting the position, make sure you have securely locked the steering wheel in place by trying to move it up and down.

SXS1000M5D Forest shown



# Doors

---

Your Honda SXS is equipped with doors to help prevent branches, gravel, or other debris from getting inside the driver's compartment, and to keep the driver's and passenger's legs and feet inside the vehicle if your vehicle ever tips or overturns. Be sure all doors are securely closed before driving your Honda SXS, and never remove a door.

If a door is damaged or does not close securely, see your dealer for repair or replacement.

Do not drive the Honda SXS with the doors open or removed.

SXS1000M5P/M5D only

Do not open the rear door while the cargo bed is raised. Opening the rear doors while the cargo bed is raised, will cause the seats to flip up unexpectedly.

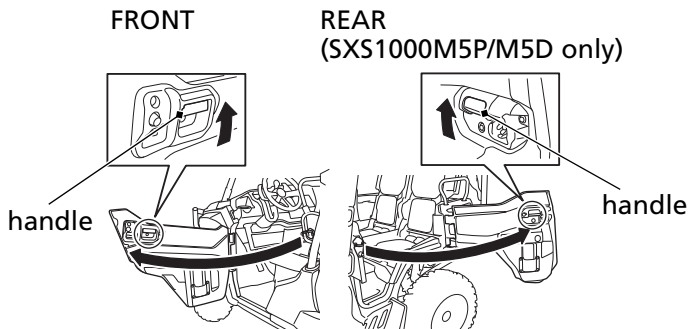
The left and right doors can be opened in the same manner.

## Open

1. Pull up the handle.
2. Open the door.

## Close

1. Close the door securely until the second latch click is heard.
2. Make sure the door is closed securely.



# Doors

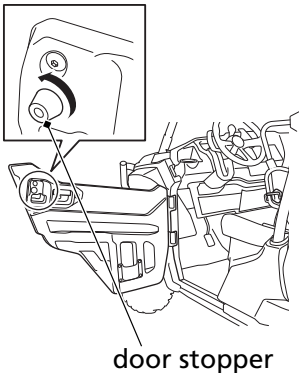
If a door rattles when closed, turn the door stopper counterclockwise to adjust the door. Each door has a double latching mechanism. Adjust the door stopper so that it latches on the second click.

The left and right doors can be adjusted in the same manner.

## Adjust

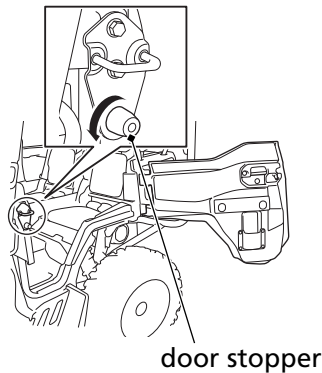
1. Open the door (page 62).
2. Turn the door stopper counterclockwise to extend it, and clockwise to retract it.
3. Make sure the door is closed securely until the second latch click is heard.

### FRONT



### REAR

(SXS1000M5P/M5D only)





# Side Nets

---

Your Honda SXS is equipped with side nets to help prevent branches or other debris from getting inside the driver's compartment, and to keep the driver's and passenger's hands and arms inside the occupant protective structure (OPS) if the vehicle ever tips or overturns.

The side nets are secured to the OPS with side net D-rings, side net snap hooks, and side net buckles. To function properly, the side nets should be tight. If a side net is loose, tighten the belts on the side net D-rings.

Be sure the side nets are properly latched before driving your Honda SXS, and never remove side nets from the vehicle. Inspect the condition of the side net and its mounting hardware. If there is wear, deterioration, damage, or they do not latch and tighten securely, see your dealer for repair or replacement.

# Side Nets

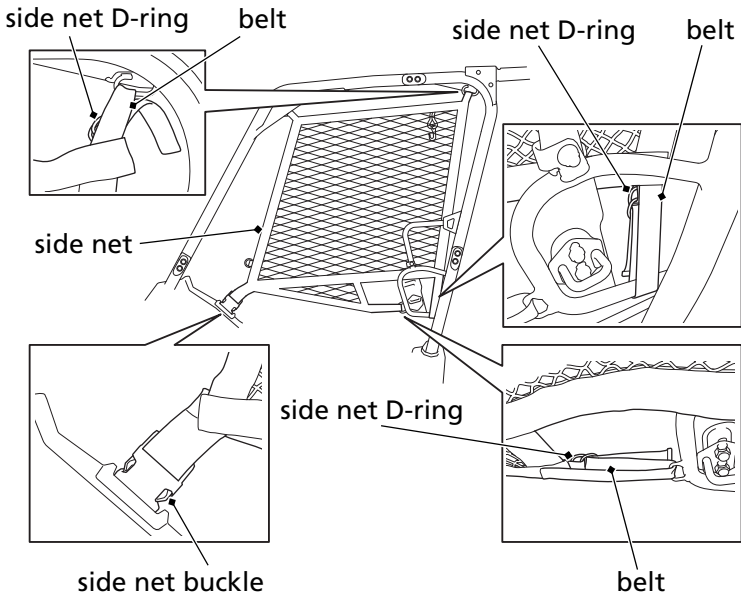
## Side Nets Set Up

The left and right side nets can be set up in the same manner.

Inspect the side nets and their mounting hardware for damage as specified in the maintenance schedule on page 141.

### Front

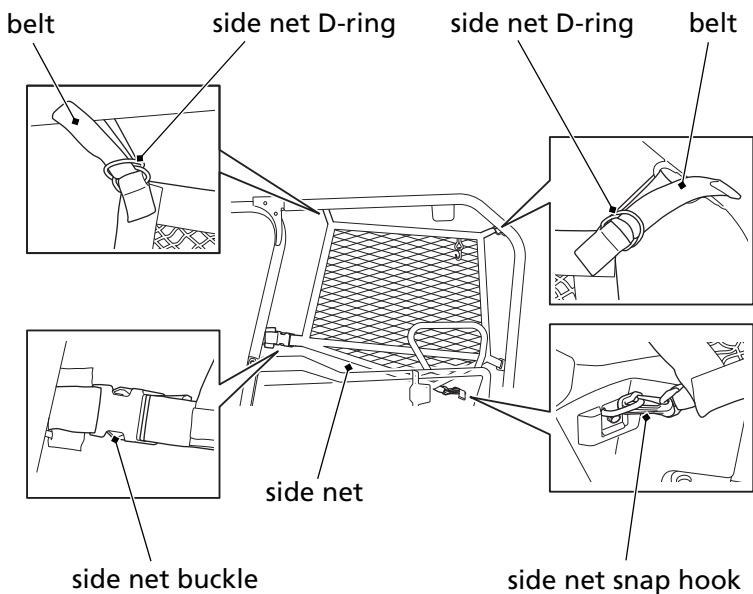
1. Fasten the side net buckle.
2. Open the doors (page 62).
3. Tighten the belts on the side net D-rings.



# Side Nets

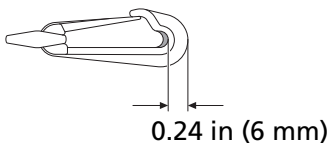
Rear (SXS1000M5P/M5D only)

1. Hook the side net snap hook and fasten the side net buckle.
2. Tighten the belt on the side net D-rings.



## Side net snap hooks wear limit

Inspect the side net snap hooks for wear. If the side net snap hook become less than 0.24 in (6 mm), see your SXS dealer for replacement.



# Side Nets

## Front Side Nets

The left and right side nets can be opened in the same manner.

### Open

1. Release the side net buckle.
2. Hook the side net D-ring onto the side net hook while lifting the side net.

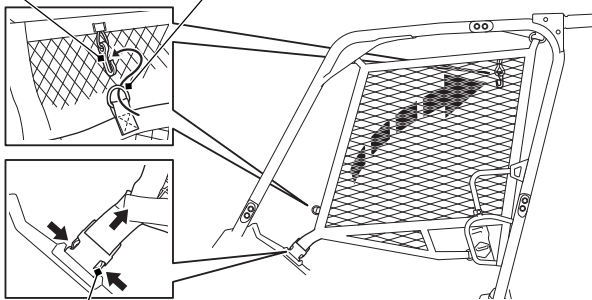
### Close

1. Unhook the side net D-ring from the side net hook.
2. Fasten the side net buckle.

Always return the side nets to their normal positions, properly fasten them, and tighten them before driving.

side net hook

side net D-ring



side net buckle

# Side Nets

---

## Rear Side Nets (SXS1000M5P/M5D only)

The left and right side nets can be opened in the same manner.

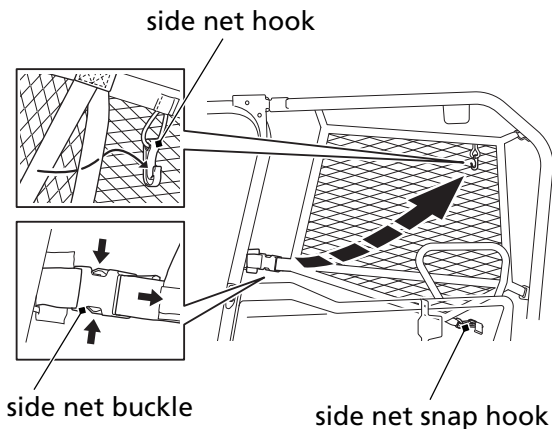
### Open

1. Release the side net buckle and side net snap hook.
2. Hook the side net onto the side net hook while lifting the side net.

### Close

1. Unhook the side net from the side net hook.
2. Hook the side net snap hook and fasten the side net buckle.

Always return the side nets to their normal positions, properly fasten them, and tighten them before driving.



# Side Nets

## Roll Up The Side Nets

The side nets can be rolled up to make cleaning and maintaining your Honda SXS a little easier.

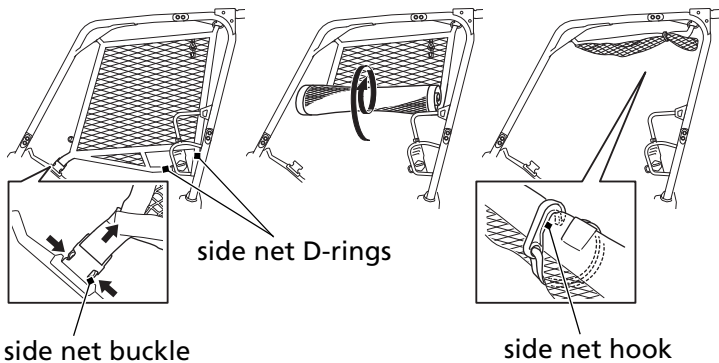
### Front Side Nets Roll Up

1. Release the side net buckle and side net D-rings.
2. Roll up the side net tightly, folding in the buckle and side net D-ring belts on the way.
3. Hook the upper side net hook to the top edge of the side net.

### Front Side Nets Roll Down

1. Unhook the upper side net hook.
2. Fasten the side net buckle and tighten the belt of the side net D-rings.

Always return the side nets to their normal positions, properly fasten them, and tighten them before driving.



# Side Nets

---

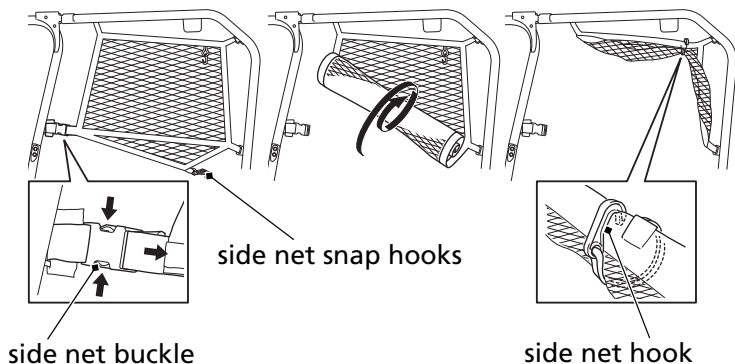
## Rear Side Nets Roll Up (SXS1000M5P/M5D only)

1. Release the side net buckle.
2. Unhook the side net snap hook.
3. Roll up the side net tightly, folding in the buckle and snap hook on the way.
4. Hook the upper side net hook to the top edge of the side net.

## Rear Side Nets Roll Down (SXS1000M5P/M5D only)

1. Unhook the upper side net hook.
2. Hook the side net snap hook and fasten the side net buckle.

Always return the side nets to their normal positions, properly fasten them, and tighten them before driving.



## Seat

SXS1000M3P/M3D:

Your Honda SXS is equipped with a bench seat that is designed to carry one driver and up to two passengers only.

SXS1000M5P/M5D:

Your Honda SXS is equipped with a bench seat in front, and two Quick-Flip rear seats that fold into the cargo bed. Your Honda SXS has five seats and is designed to carry one driver and up to four passengers.

### CAUTION

Driving with cargo on the passenger seats can interfere with the driver's ability to control the vehicle.

Cargo on the passenger seats can be thrown around causing injury or a crash.

Do not drive with any cargo on the passenger seats. Properly secure all cargo in the cargo area.



# Seat

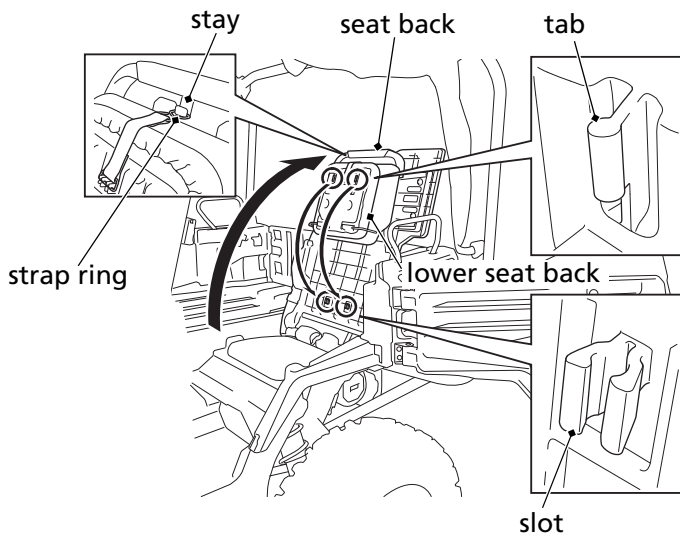
## Rear Seat Conversion (SXS1000M5P/M5D only)

### Unfolding

1. Park your Honda SXS on a firm, level surface, and roll up the rear side nets (page 70).
2. Open the rear door (page 62).
3. Lift up the rear seat back until it latches into position.
4. Unhook the strap ring from the stay.
5. Fold down the lower seat back and push it to snap the tabs into slots.

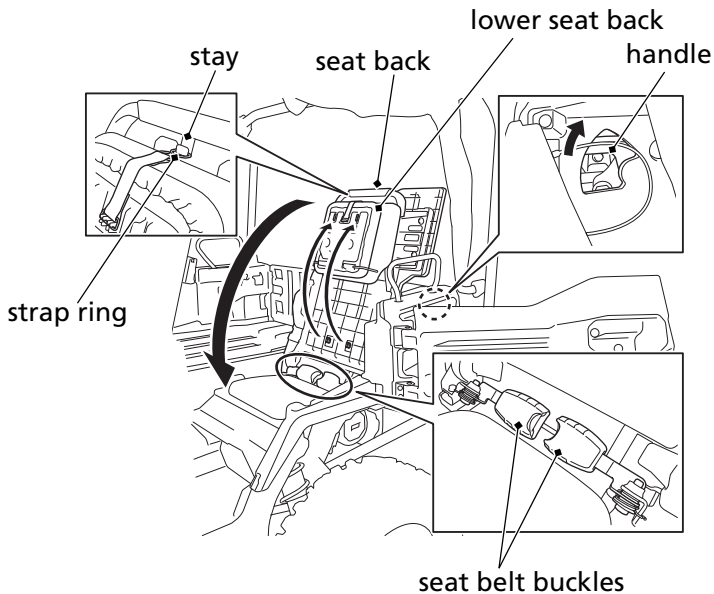
Do not open the rear doors while the cargo bed is raised. Opening the rear doors while the cargo bed is raised may cause the seats to flip up unexpectedly.

Fold up the rear seats only while the cargo bed is in the lowered position.



## Storing

1. Park your Honda SXS on a firm, level surface, and roll up the rear side nets (page 70).
2. Open the rear door (page 62).
3. Fold up the lower seat back and hook the strap ring to the stay.  
Be sure the seat belt buckles are lowered.
4. Pull the handle up and flip the seat back forward.
5. While pushing down on the rear seat, close the rear door.



# Seat

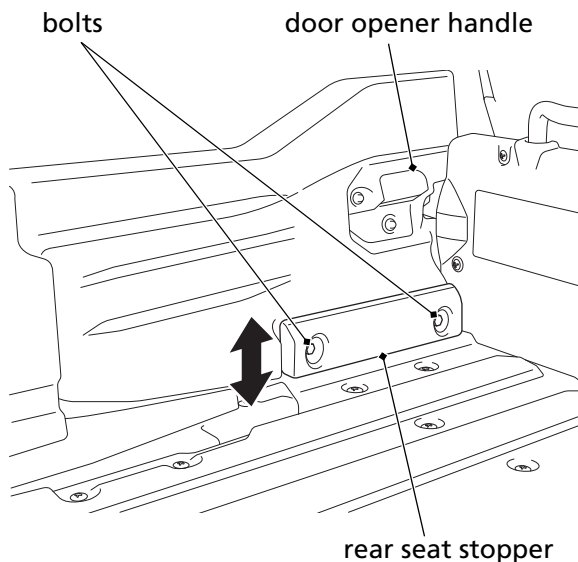
---

## Rear Seat Stopper Adjustment (SXS1000M5P/M5D only)

If the rear seat back has excessive vibration in the stored position or if the doors are hard to close, adjust the rear seat stopper.

The rear seat stopper is located below the rear door opener handle.

1. Loosen the bolts.
2. Adjust the rear seat stopper in proper position.
3. Tighten the bolts.



# Seat Belts

---

## Seat Belts

Your Honda SXS is equipped with lap/shoulder seat belts in each seating position. A seat belt keeps you connected to the vehicle so you won't be thrown out during a crash or rollover. Together with a proper helmet, a seat belt is your best protection against serious injuries in any type of crash, so make sure you and your passengers always buckle up before driving.

### **WARNING**

Not wearing a seat belt, or wearing one improperly, can result in serious injury or death in a crash or rollover.

Make sure the driver and any passengers always wear their seat belts properly.

Of course, seat belts cannot completely protect you in every crash. But in most cases, seat belts can reduce your risk of serious injury.

# Seat Belts

---

## Seat Belt Speed Limiting System

When the driver's seat belt is not latched properly, the maximum vehicle speed will be limited by the seat belt speed limiting system.

When the driver's seat belt is not latched, the seat belt speed limiting system will:

- Limit the maximum vehicle speed to no more than 15 mph (24 km/h).
- Cause the seat belt indicator and speedometer to blink simultaneously.

To return the vehicle to normal operation the driver must:

1. Properly deploy and latch their seat belt.
2. Release the throttle for one second if the vehicle is moving.

The speed limitation will be removed and the seat belt indicator and speedometer will stop blinking after the driver follows this procedure and correctly deploys and fastens their seat belt.

To avoid speed limitations altogether, the driver should always deploy and fasten their seat belt (and require all passengers to be securely belted) before driving the vehicle and keep their seat belt fastened while underway. If the driver unlatches their seat belt while the vehicle is travelling at speeds greater than 15 mph (24 km/h), the vehicle speed will be limited to 15 mph or less until the driver's seat belt is deployed and properly latched and throttle is released for one second.

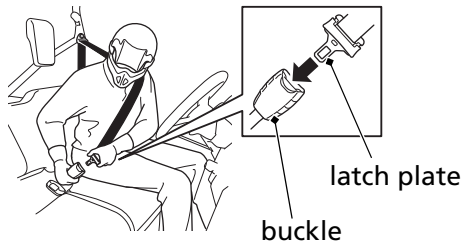
# Seat Belts

---

How you wear a seat belt also matters. For the best protection:

## Front

1. Insert the latch plate into the buckle, then tug on the belt to make sure it is securely latched.



2. Check that the belt is not twisted, because a twisted belt can cause injuries.
3. Position the lap part of the belt as low as possible across your hips, then pull up on the shoulder part of the belt to make sure the lap part is snug. This keeps you connected to the vehicle and lets your strong pelvic bones take the force of a crash.
4. Make sure the shoulder part of the belt goes over your shoulder and rests against your chest.



To unlatch a seat belt, press the red button on the buckle.

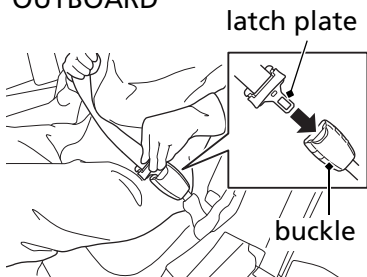
# Seat Belts

---

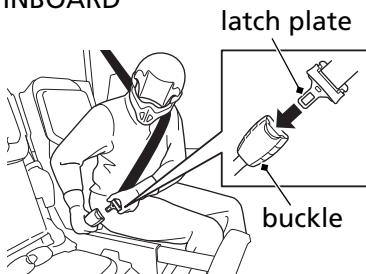
## Rear (SXS1000M5P/M5D only)

1. Insert the end latch plate into the outboard buckle first.
2. Insert the middle latch plate into the inboard buckle, then tug on the belt to make sure they are both securely latched.

### OUTBOARD



### INBOARD



3. Check that the belt is not twisted, because a twisted belt can cause injuries.
4. Position the lap part of the belt as low as possible across your hips, then pull up on the shoulder part of the belt to make sure the lap part is snug. This keeps you connected to the vehicle and lets your strong pelvic bones take the force of a crash.
5. Make sure the shoulder part of the belt goes over your shoulder and rests against your chest.



To unlatch a seat belt, press the red button on the inboard buckle and the black button on the outboard buckle.

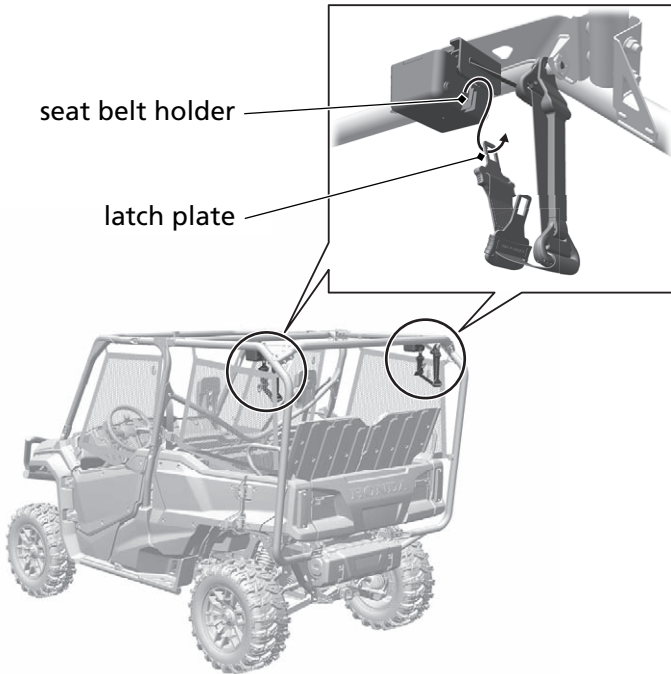
# Seat Belts

## Rear Seat Belt Holders (SXS1000M5P/M5D only)

For the rear seat belts, there are seat belt holders to secure the seat belts when using the cargo bed.

How to secure the seat belt:

Hook the latch plate at the tip of the rear seat belt to the seat belt holder.





# Seat Belts

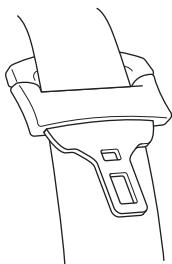
---

## Seat Belt Locking Mechanism

The seat belts in your Honda SXS are equipped with a belt locking mechanism.

The belt locking mechanism is in the holder of the latch plate. When the seat belt is subjected to intense forces during a crash or rollover, part of the holder locks the belt.

**LOCK POSITION**

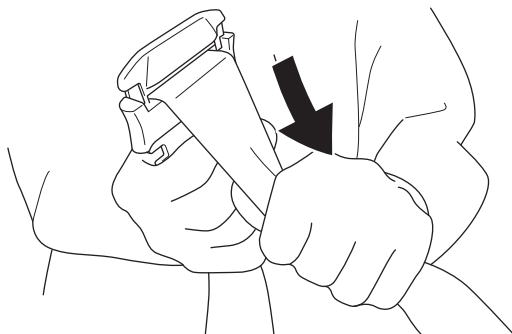


**UNLOCK POSITION  
(ORDINARY USE)**



## Unlock

1. To unlatch a seat belt, press the red button on the buckles.
2. Hold the latch plate and one side of the belt, and pull the other side of the belt. Doing so unlocks part of the holder.



# Seat Belts

---

If you have been driving in an extremely muddy or dusty area, be sure to inspect your belt and remove any dirt or debris before letting the belt retract into the retractor. Failure to do so could clog the retractor and make it inoperable.

Each seat belt has an emergency locking retractor. In normal driving conditions, the retractor lets you move freely in your seat while keeping some tension on the belt. During a crash or rollover, the retractor automatically locks the belt to help restrain your body.

Do not put any accessories on a seat belt, as that may reduce the effectiveness of the belt and increase the chance of injury in a crash.

If a seat belt is worn in a crash, the seat belt assembly must be replaced by your dealer. A belt that has been worn during a crash may not provide the same level of protection in a subsequent incident. The dealer should check the retractor and replace it if needed.

## Seat belt washing procedure

1. Fully extend seat belt.
2. Rinse entire length of seat belt by spraying with water from a low pressure hose.
3. Leave belt extended until dry.

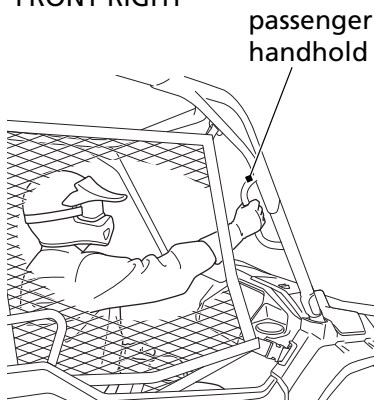
# Passenger Handhold

---

## Passenger Handhold

The occupant protective structure (OPS) has a handhold to give a passenger extra support when the vehicle travels over rough or bumpy terrain. The passengers can also brace their feet against the floorboard.

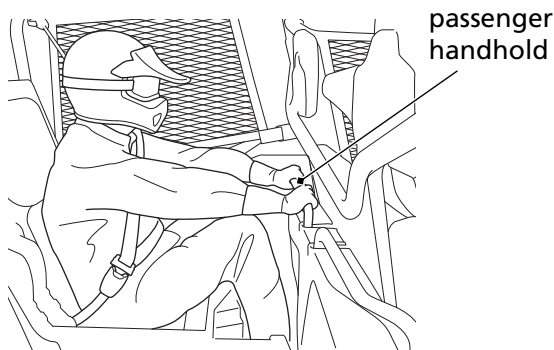
FRONT RIGHT



FRONT CENTER



REAR (SXS1000M5P/M5D only)

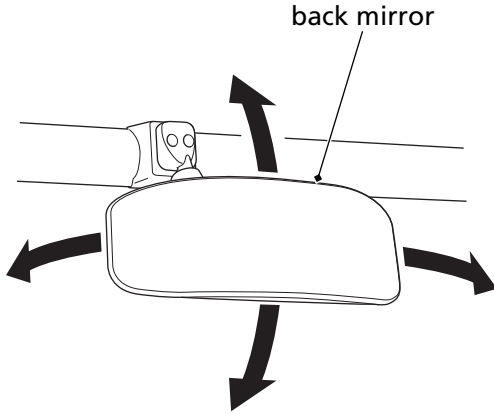


# Back Mirror

---

## Back Mirror (SXS1000M3D Trail/M5D Trail only)

Adjust the back mirror before starting off.



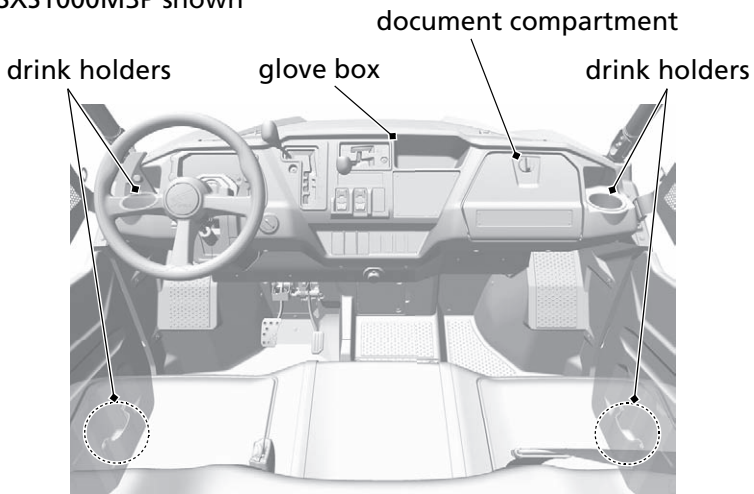
# Storage Compartments

---

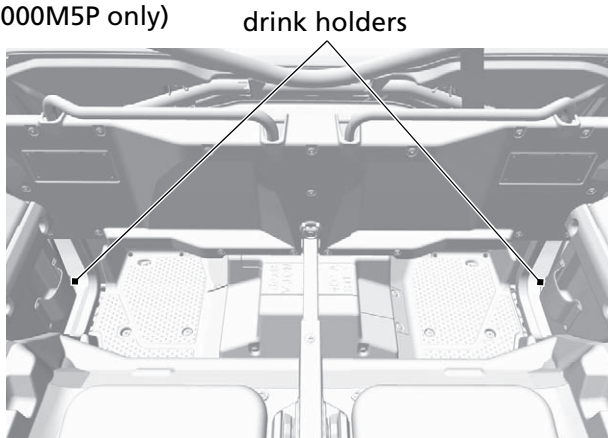
(SXS1000M3P/M5P)

Your Honda SXS has a document compartment, a glove box and drink holders where you can carry small, lightweight items.

SXS1000M3P shown



(SXS1000M5P only)

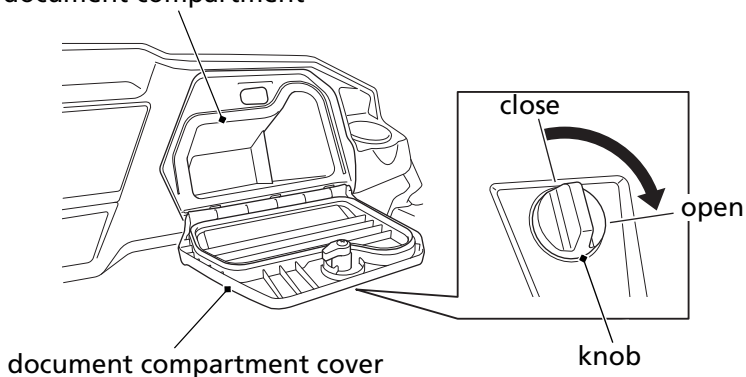


# Storage Compartments

---

To open the document compartment, turn the knob clockwise. To close the document compartment, turn the knob counterclockwise.

document compartment



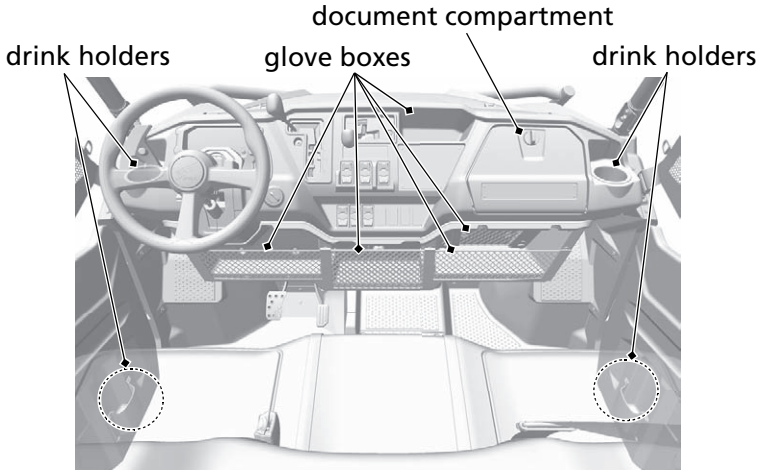
# Storage Compartments

---

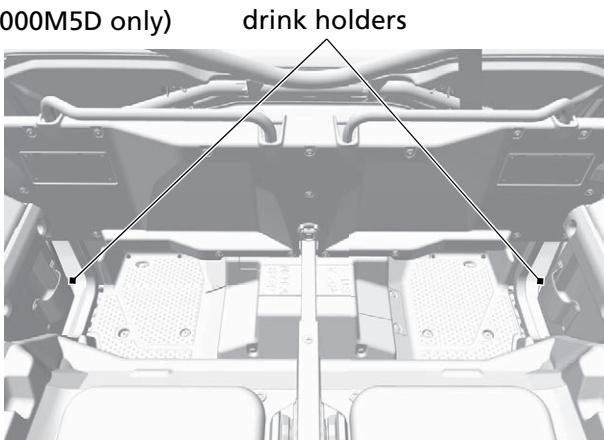
(SXS1000M3D/M5D)

Your Honda SXS has a document compartment, underseat storage, glove boxes, and drink holders where you can carry small, lightweight items.

SXS1000M5D Forest shown



(SXS1000M5D only)

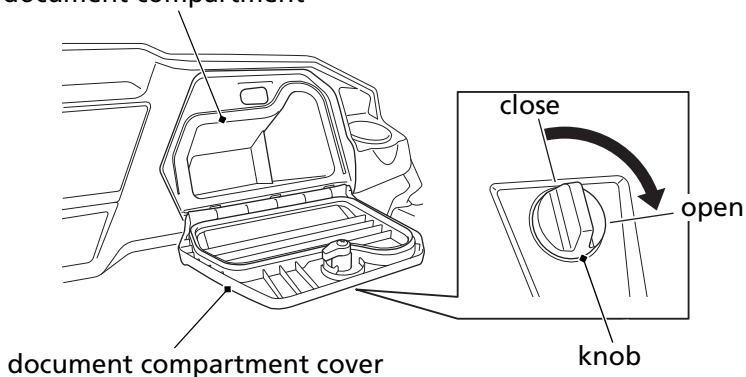


# Storage Compartments

---

To open the document compartment, turn the knob clockwise. To close the document compartment, turn the knob counterclockwise.

document compartment





# Storage Compartments

---

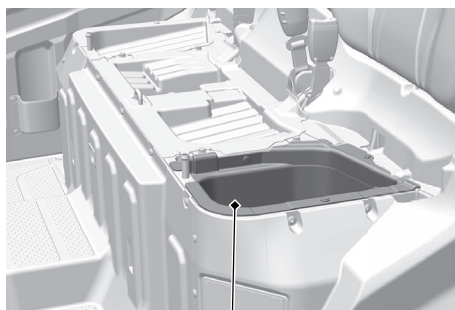
(except for SXS1000M3P/M5P)

To access the underseat storage, remove the front seat (page 153).

Cargo should not exceed:

**25 lb (11.4 kg)**

## UNDER SEAT



underseat storage

The underseat storage is equipped with a drain plug. When driving through water, the plug should be installed to help prevent water from entering through the bottom of the storage area.

The underseat storage is not waterproof. Do not place items that could be damaged by water in the underseat storage.

If water does accumulate, the drain plug can be removed to allow for water removal.

Be careful not to flood this area when washing your vehicle.

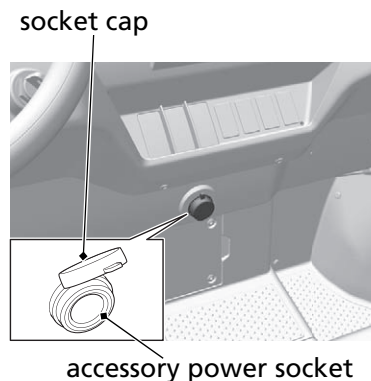
# Accessory Power Sockets

---

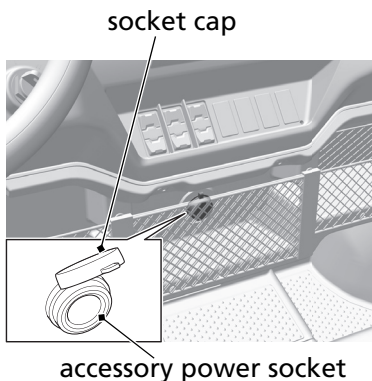
The accessory power sockets are located in the center of the lower dash and the rear left side of the cargo bed (SXS1000M3D/M5D only). The socket is intended for 12-volt DC accessories rated for 120 watts (10 amps) or less. Exceeding the limit can blow the accessory socket fuse (see page 264).

The socket can be used to power such items as a trouble light, spotlight, CB radio, or cell phone, but not a heat-generating accessory, such as a car cigarette lighter.

(SXS1000M3P/M5P)



(SXS1000M3D/M5D)

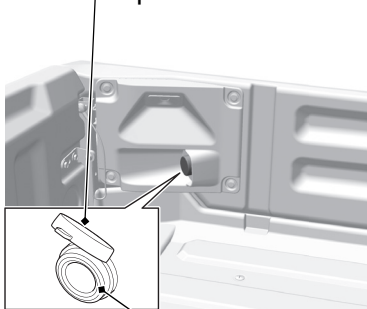


# Accessory Power Sockets

---

(SXS1000M3D)

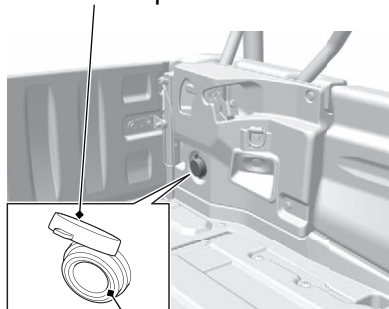
socket cap



accessory power socket

(SXS1000M5D)

socket cap



accessory power socket

To use the accessory power socket, the engine must be running.

## NOTICE

*Using any heat-generating accessory or improperly rated accessory can damage the socket.*

Remember to close the cap when you are finished using an accessory, and keep water or other fluids away from the socket.

# Cargo Bed Controls

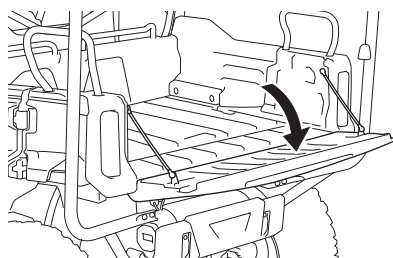
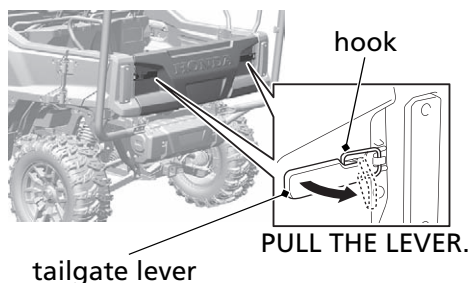
See page 107 for *Loading Cargo* when driving with cargo in the bed.

## Tailgate Levers

Before lowering the tailgate, select a firm level surface and shift the shift select lever into the park (P) position.

To lower the tailgate, pull each tailgate lever out and unhook the hook as shown below. Reverse the process to secure the tailgate in the upright position.

**LIFT THE HOOK.**



**TILT GENTLY.**

Do not drive the Honda SXS with the tailgate lowered.

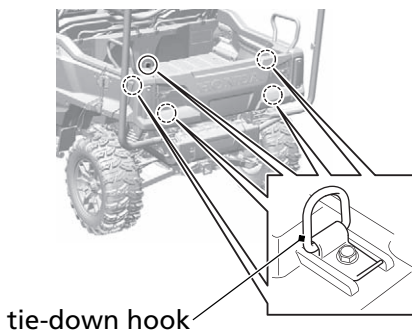
# Cargo Bed Controls

---

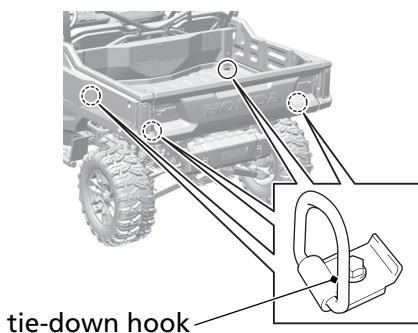
## Tie-Down Hooks

The cargo bed has tie-down hooks for securing items in the bed. Before using the tie-down hooks, select a firm level surface and move the shift select lever into the park (P) position.

### SXS1000M5P/M5D



### SXS1000M3P/M3D



# Cargo Bed Controls

---

## Tilt Bed Lever

Before raising the cargo bed, select a firm level surface and move the shift select lever into the park (P) position.

Your Honda SXS has a tilt bed lever on the left and right front side of the bed. Pulling either lever will allow you to lift the front end of the bed, making it easier to dump items out the rear or to maintain the air cleaner or lubricate the cargo bed pivots and cargo bed strikers.

To raise the front of the cargo bed, first make sure that the tailgate has been unlatched and lowered, then pull the lever up.

SXS1000M5P/M5D:

Make sure the rear seats are stowed in place before raising the cargo bed. The cargo bed should not be raised with the rear passenger jump seats deployed. The cargo bed should not be raised with passengers seated in the rear seats.

1. Pull up the tilt bed lever, then grasp the top of the bed.
2. Raise the front end of the cargo bed.

Do not drive the Honda SXS with the front end of the cargo bed raised.

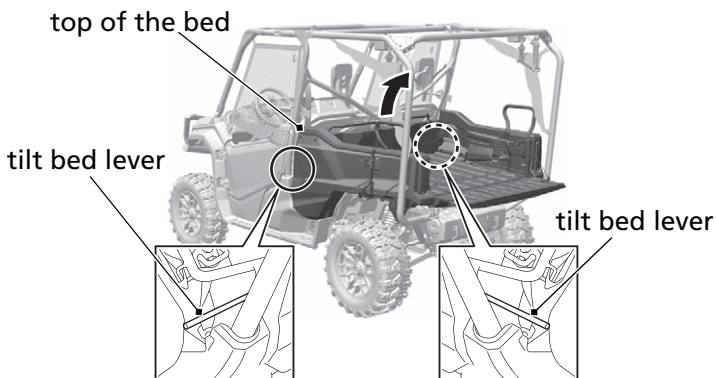
SXS1000M5P/M5D:

Do not open the rear doors while the cargo bed is raised. Opening the rear doors while the cargo bed is raised may cause the seats to flip up unexpectedly.

# Cargo Bed Controls

---

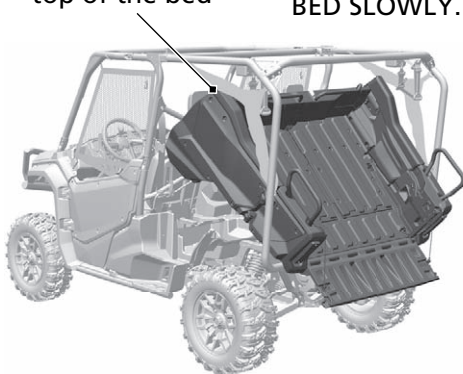
**SLOWLY LIFT UP THE CARGO BED.**



To lower the cargo bed, make sure that the area under the front of the cargo bed is clear, then manually push down on the top of the bed.

Check that the bed is securely latched.

**LOWER THE CARGO BED SLOWLY.**



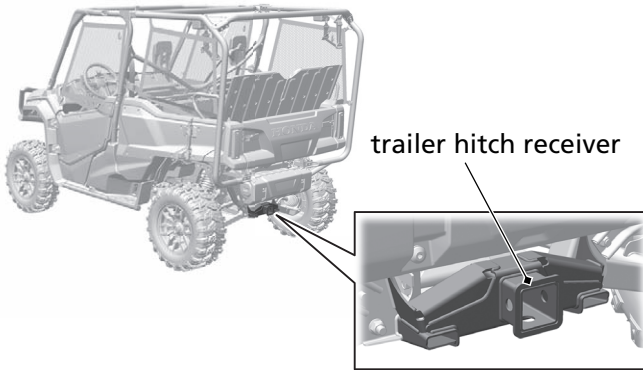
**BE SURE IT IS LOCKED INTO PLACE.**

# Trailer Hitch

---

Your Honda SXS is equipped with a trailer hitch receiver that accepts a 2 inch drawbar. You can purchase an approved drawbar from your Honda dealer.

See page 109 for page *Towing a Trailer*.





## **Electronic Brakeforce Distribution (EBD) (SXS1000M3D Trail/M3D Forest/M5D Trail/M5D Forest only)**

---

Your Honda SXS is equipped with Electronic Brakeforce Distribution (EBD).

To improve vehicle stability when the brakes are applied, EBD adjusts the braking force distribution between the front and rear brakes according to traction conditions.

During hard stops the brake pedal may become stiff, then quickly return to normal feel. This is due to EBD activating, and is normal.

# Electric Power Steering (EPS)

---

This SXS is equipped with an electronically controlled, electric power-assisted steering system.

While the engine is running, the Electric Power Steering (EPS) system provides power from the electric motor, which helps you to turn the SXS's steering wheel more easily.

The EPS system on this SXS utilizes an overheat protection feature to prevent damage to system components. In certain extended, repetitive high-load situations the EPS indicator will illuminate and the system will reduce or even disable power steering assist. The steering will perform as a normal non-EPS system during this brief period. If this occurs, safely stop the vehicle and allow the EPS system to cool down until the EPS indicator goes off. After cooling down, steering will return to normal EPS operation.

The EPS indicator should light when the ignition switch is turned on and remain on until the engine is started.

The EPS indicator also lights when there is any abnormality in the EPS system. If this occurs, the electric power assist for turning will not be available, but the manual steering system will perform as usual.

If the EPS indicator lights at any time while riding, other than the temporary overheat condition described above, reduce speed and take your SXS to your dealer as soon as possible. Continuing to ride with a EPS system problem can damage system components.

Do not modify your Electric Power Steering system. In case of a malfunction, take your SXS to your dealer.

This page intentionally left blank.

# Before Driving

---

Before driving your SXS, you need to make sure you and your vehicle are both ready. This section discusses how to evaluate your driving readiness and what items you should check on your vehicle. It also includes important information about loading cargo.

Are You Ready to Drive? .....	100
Age & Size Recommendations .....	100
Protective Apparel .....	101
Get to Know Your Vehicle .....	102
Don't Drink & Drive .....	102
Is Your Vehicle Ready to Drive? .....	103
Pre-drive Inspection .....	104
Loading Cargo .....	107
Load Limit .....	107
Loading Guidelines .....	108
Towing a Trailer .....	109
Towing Limits .....	109
Checking Loads .....	109
Loading a Trailer .....	110

# Are You Ready to Drive?

---

Before driving your Honda SXS for the first time, we urge you to carefully read this owner's manual and the labels on your vehicle and make sure you understand all the safety information.

## Age & Size Recommendations

The driver should be at least 16 years old and tall enough to wear their seat belt properly (page 75) and operate all the controls. A passenger should also be tall enough to wear the seat belt properly and ride with both feet on the floor.

### **WARNING**

Allowing a person who is too young or too small to drive this vehicle or ride as a passenger could result in serious injury or death in a crash.

Follow all instructions and guidelines in this owner's manual regarding the proper age and size for a driver and a passenger.

# Are You Ready to Drive?

---

## Protective Apparel

To help prevent head injury from striking an occupant protective structure (OPS) or other hard object, we recommend that occupants always wear a helmet secured with a chin strap.

To protect the eyes from brush and flying objects, we also recommend that occupants wear impact-resistant goggles or a face shield.

For your safety, we also recommend that you always wear boots, gloves, long pants, and a long-sleeved shirt or jacket whenever you drive.

### **WARNING**

Driving or riding in this vehicle without a proper helmet, eye protection and other protective gear can result in serious injury or death in a crash.

Always wear a helmet secured with a chin strap, eye protection (goggles or face shield) and other protective gear when driving or riding in this vehicle.

# Are You Ready to Drive?

---

## Get to Know Your Vehicle

Because all vehicles have unique characteristics, it's important to learn how this one operates and handles. We recommend that you take time to practice using the different controls, and get accustomed to how the vehicle accelerates, brakes, and turns in different driving modes, on different surfaces, and on different terrain conditions.

## Don't Drink & Drive

It's well known that alcohol and drugs can seriously affect a person's judgment, perception, and ability to safely operate any vehicle. We therefore strongly recommend that you do not drive, or let anyone else drive or ride in this vehicle, after consuming alcohol or drugs.

### **WARNING**

Operating this vehicle after consuming alcohol or drugs can result in a crash in which you or others can be seriously injured or killed.

Never drive this vehicle after consuming alcohol or drugs.

# Is Your Vehicle Ready to Drive?

---

Before driving your Honda SXS, it's important to inspect the vehicle and correct any problem you find. A pre-drive inspection is a must, not only for safety, but because having a breakdown can be a major inconvenience.

If your vehicle has overturned or been involved in a crash, do not drive it until it has been inspected by your dealer. There may be damage or other problems you cannot see.

## **WARNING**

Improperly maintaining this vehicle or failing to correct a problem before driving can cause a crash in which you or someone else can be seriously hurt or killed.

Always perform a pre-drive inspection and correct any problems before you operate the vehicle.



# Is Your Vehicle Ready to Drive?

---

## Pre-drive Inspection

Check the following items before driving your Honda SXS:

*Oil Level* Check the engine and sub-transmission oil levels and add oil, if needed (pages 166, 176). Also check under the vehicle for leaks.

*Coolant* Check the coolant level (page 185). If it is low, add a 50/50 mixture of silicate-free coolant and distilled water.  
Check for leaks.

*Fuel Level* Check the fuel gauge (page 33) and add fuel, if needed (page 161). Make sure the fuel fill cap is secure. Also check for the smell of fuel or fumes - if you smell any fuel, turn the ignition switch to OFF (O) immediately, and see your dealer.

*Brake Fluid* Check the level (page 211). If it is near MIN, check the brake pads for wear (page 213). If the brake pads are within the specification, check for leaks in the braking system (page 210).

*Tires* Check the air pressure of all tires and inflate them to the proper pressure (page 217). Also inspect the tires for damage or excessive wear (page 219). If necessary see your dealer.

*Wheels* Make sure the wheel nuts are properly tightened and the wheels are not cracked or deformed (page 224).

*Driveshafts* Inspect the driveshafts and boots for damage, tears, or leaks and see your dealer if any are found.

# Is Your Vehicle Ready to Drive?

---

*Steering* Check the steering to make sure it turns smoothly in both  
*Gearbox and* directions. Check for any tears in the boots.  
*Boots* If any tears are found, see your dealer.

*Underbody* Check for and remove any debris stuck in the underbody; take extra care in your inspection if the vehicle was last driven in deep grass, brush, a wetland, or flooded area. Check for any visible dents or cracks. If any dents or cracks are found, see your dealer.

*Suspension* Check the condition of all suspension components. Be sure to look for bends or oil leaks in the cushion damper. Check for tears in the boots of the front arm ball joint.

*Lights* Make sure the headlights, taillights, and brake lights are working properly.

*Controls* Check that all driving controls, including the accelerator pedal, brake pedal, drive mode select lever, shift select lever, and shift paddles are operating smoothly.

*Tie-rod Ends* The wheels need to be lifted off the ground to correctly check the tie-rod ends, so it cannot be done in the pre-drive inspection. To have the tie-rod ends properly inspected, see your dealer.

*Cargo* Be sure items in the cargo bed are within the cargo limit and are properly secured to prevent shifting (pages 107, 108).

*Back Mirror* Adjust the back mirror before starting off (page 83).  
(SXS1000M3D  
Trail/M5D Trail  
only)

(cont'd)

# Is Your Vehicle Ready to Drive?

---

- Seat Belts*      Make sure all seat belts are in good condition and operate properly. The seat belts must move smoothly when pulled out, and retract on their own when released.  
The latch plates should click securely into the buckles and release when the release buttons are pushed firmly.
- Side Nets*      Make sure all side nets and their mounting hardware are in good condition and that they latch and tighten securely.
- Exhaust System*      Make sure no materials or debris are sticking to, or accumulating around, the exhaust system. If any such debris is found, remove it so there's no chance for it to catch on fire. Start the engine and listen for any leaks.

## CAUTION

Exhaust system and catalyst operate at very high temperatures.  
You can be burned if you touch the exhaust system or catalyst.  
Do not touch the exhaust system or catalyst without letting the system cool down.

## NOTICE

*Exhaust system and catalyst operate at very high temperatures. Accumulated debris and vegetation that contact the exhaust/ catalyst can catch on fire.  
Always conduct a pre-drive inspection and remove accumulated debris.*

Remember to take care of any problem you find or have your dealer correct it before you drive your Honda SXS.

# Loading Cargo

Your vehicle was designed to carry cargo. However, carrying a load that is too heavy or improperly loaded can adversely affect your vehicle's handling, stability, and stopping distance and make it unsafe. Before carrying any type of cargo, be sure to read the following pages.

## Load Limit

See page 126 for guidelines on driving with cargo.

**Maximum weight capacity** = USA - 49 states, Canada models:  
1,649 lb (748 kg)  
USA - 50 states [meets California]  
models: 1,248 lb (566 kg)

This includes the weight of cargo, occupants, accessories, and trailer tongue load.

**Maximum cargo weight** = USA - 49 states, Canada models:  
1,000 lb (454 kg)  
USA - 50 states [meets California]  
models: 600 lb (272 kg)

This includes all items in the cargo bed, any accessories, and the tongue load if you are towing a trailer (see page 109).

## **WARNING**

Overloading the cargo bed or failing to secure cargo properly can cause a crash in which you or others could be seriously hurt or killed.

Follow the cargo limits and loading guidelines in this owner's manual.

# Loading Cargo

---

## Loading Guidelines

- Make sure the tires are properly inflated (page 217).
- Place all items on the floor of the cargo bed, and as far forward and centered as possible.
- Use the tie-down hooks (page 92) to secure any items that could shift position while you are driving.
- Do not let items extend over the side rails, as they could get caught on something.
- Be aware that carrying tall, heavy items will significantly raise the vehicle's center of gravity, increasing the chance of a rollover.
- Never let a passenger ride in the cargo area or hang onto the side of the vehicle, even for a short distance. The person could be thrown off the vehicle or cause a crash.
- **Before driving with heavy cargo or towing heavy loads, shift the shift select lever into low-range (L) position.**

### **WARNING**

Driving with a passenger in the cargo area can result in very serious injury or death if the person is thrown against the vehicle or out of the bed.

A passenger should only ride in the passenger's seat and wear their seat belt properly.

# Towing a Trailer

Your vehicle can pull a trailer as well as carry cargo, provided you follow the load limits and guidelines below.

## Towing Limits

There are two main types of limits that apply to towing a trailer:

**Maximum total trailer weight = 2,500 lb (1,134 kg)**

This includes the weight of the trailer and everything in it or on it.

**Maximum tongue load = 250 lb (113 kg)**

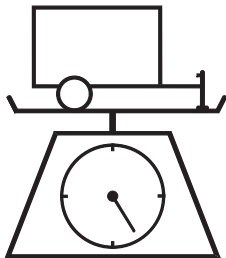
The weight that the fully loaded trailer places on the tongue.

The tongue load also affects the total weight you can carry in the vehicle and the cargo bed. See “Maximum weight capacity” on page 107.

## Checking Loads

### Total Trailer Weight

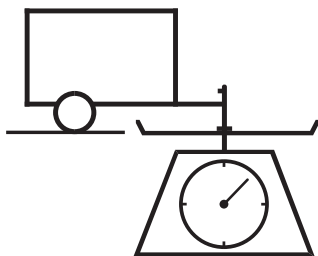
Check the weight of a fully loaded trailer or estimate the total by adding the weight of the trailer (as quoted by the trailer maker) with the weight of all items placed in or on the trailer.



# Towing a Trailer

---

To achieve a proper tongue load, start by placing 60 percent of the load toward the front of the trailer and 40 percent toward the rear, then readjust the load as needed.



## Loading a Trailer

- Always use a proper trailer hitch. Do not tow by attaching a rope or cable to the vehicle's frame.
- Secure all items inside the trailer so they cannot shift while driving.
- Before driving with heavy cargo or towing heavy loads, shift the shift select lever into low-range (L) position.

### **⚠ WARNING**

Exceeding a load limit or improperly towing a trailer can cause a crash in which you can be seriously hurt or killed.

Follow all load limits and towing guidelines in this owner's manual.

# Basic Operation & Driving Guidelines

---

This section gives information on how to start and stop your engine. It also provides guidelines for operating on different types of terrain, driving with cargo, and towing a trailer.

Basic Operation .....	112
Starting & Stopping the Engine .....	112
Shifting Gears .....	114
Selecting a Drive Mode .....	120
Parking .....	121
Driving Guidelines .....	122
Safe Driving Precautions .....	122
Off-road Driving Considerations.....	124
Basic Driving .....	126
Driving on Hills .....	127
Driving Through Water .....	130
Driving at Night .....	131



# Basic Operation

---

## Starting & Stopping the Engine

For safety, we recommend that you start the engine in a well-ventilated area. If that is not practical, move the vehicle outdoors as soon as possible. The engine's exhaust contains carbon monoxide, a colorless and odorless gas that can cause illness and even death.

### **WARNING**

Running the engine of your vehicle while in an enclosed or even partially enclosed area can cause a rapid build-up of toxic carbon monoxide gas.

Breathing this colorless, odorless gas can quickly cause unconsciousness and lead to death.

Only run your vehicle's engine when it is located in a well ventilated area outdoors.

The starter motor will operate when the shift select lever is in the park (P) or neutral (N) position, or the brake pedal is pressed. You should do the following checks and adjustments before you drive your vehicle.

#### Before START:

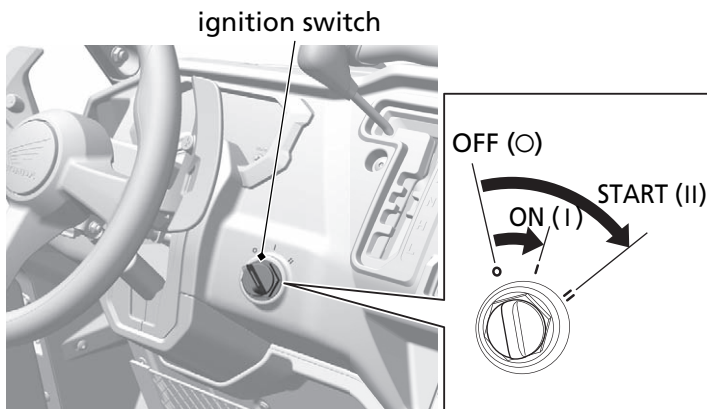
1. Make sure the doors, side nets, tailgate and front hood are securely closed.
2. Make sure the cargo bed is securely lowered.
3. Check that any items you may be carrying are stored properly or fastened down securely.
4. Fasten your seat belt. Check that any passenger has fastened their seat belt as well.
5. When you start the engine, check the indicators in the instrument panel.

# Basic Operation

## Starting the engine:

1. Move the shift select lever into the park (P) position.
2. Press on the brake pedal.
3. To start the engine, without touching the accelerator pedal, insert the key and turn the ignition switch to the START (II) position. Immediately after the engine starts, let go of the key. The switch returns to the ON (I) position. Do not hold the key in the START (II) position for more than 5 seconds at a time. If the engine does not start after 5 seconds, turn the key back to the OFF (O) position and wait about 10 seconds before turning it to START (II) again.
4. If the engine does not start within 5 seconds, or starts but stalls right away, repeat step 3 with the accelerator pedal pressed halfway down. If the engine starts, release pressure on the accelerator pedal so the engine does not race.
5. If the engine fails to start, press the accelerator pedal all the way down, and hold it there while starting to clear flooding. If the engine still does not start, return to step 3.

## SXS1000M5D Forest shown



# Basic Operation

---

To stop the engine, turn the ignition switch to the OFF (O) position. Remember to shift into the park (P) position and remove the key if you plan to leave the vehicle.

## Shifting Gears

You can move forward or in reverse by shifting the shift select lever from P or N, to R, H, or L.

Your Honda SXS is equipped with a dual clutch transmission, which is an automatically controlled 6-speed transmission.

When the shift select lever is in the high-range (H) or low-range (L) position, you can switch between AT mode and MT mode by pressing the AT/MT switch. In AT mode, you can use the shift paddles to temporarily select a gear.

**To avoid damaging the transmission, move the shift select lever only when the vehicle is stopped and the engine is idling.**

Select a driving mode appropriate for your driving environment and driver visibility.

## NOTICE

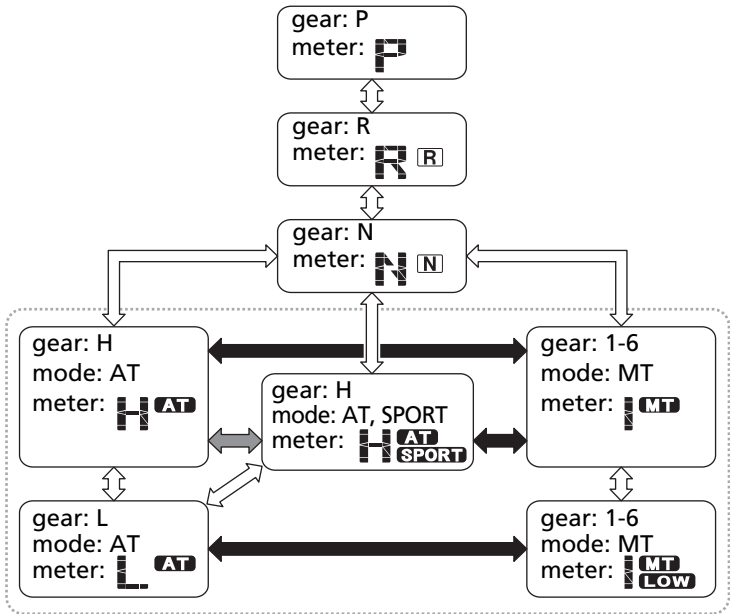
*Under extreme constant high load usage, the temperature of the clutch can rise over the allowable temperature limit for the clutch material. In this usage condition, clutch slippage and burning may occur.*

*To avoid damaging the clutch, follow the proper usage of the sub-transmission dual range as described.*

*To prevent clutch damage, do not use the throttle to hold the vehicle stationary on an incline or try to tow an immovable object.*

# Basic Operation

## Shift Position and Meter Display



⇨ shift the shift select lever

➡ push the AT/MT switch

➡ push the SPORT switch

⊡ shift override using shift paddles is available. during shift override, shifted gears (1 – 6) are displayed

# Basic Operation

---

## Selecting a Shift Position

Your Honda SXS has five shift select lever positions: park (P), reverse (R), neutral (N), high-range (H), and low-range (L).



### **Park:**

Used when parking or starting the engine.



### **Reverse:**

Used when driving in reverse.



### **Neutral:**

Used when idling the engine during a temporary stop.



### **High-range:**

Used when driving forward on hard surfaces or with light cargo.

You can switch between AT mode and MT mode by pressing the AT/MT switch. You can also select SPORT mode in AT mode.



### **Low-range:**

Used when driving forward in the following situations:

- When driving with heavy cargo or towing heavy loads
- When ascending steep hills
- When driving over large obstacles
- When driving at a constant low speed (5 mph [8 km/h] or below)

You can switch between AT mode and MT mode by pressing the AT/MT switch.

**To avoid damaging the transmission, move the shift select lever only when the vehicle is stopped and the engine is idling.**

# Basic Operation

---

## Selecting a AT/MT Mode

Your Honda SXS has 2 transmission modes: AT mode and MT mode.

### **AT** AT mode:

This mode automatically shifts the gears with optimal timing according to your driving conditions.

You can temporarily shift up or down by operating the shift paddles while driving in AT mode. At the same time, the shifted gear is shown on the gear position display.

### **MT** MT mode:

In this mode, the gears are shifted manually through shift paddle operation.

- Clasp the shift paddle does not continuously shift the gears. To continue shifting, release your fingers from the shift paddle, and then clasp the shift paddle again.
  - The gears do not shift up automatically in MT mode. Do not allow the engine to exceed the rev limit.
  - The gears shift down automatically when you slow down, even in MT mode.
  - You will start from 1st gear when MT mode is selected.
- For details on shift paddle operation in MT mode, see page 119.

When using the AT/MT switch to switch between AT mode and MT mode, be sure the shift select lever is in the high-range (H) or low-range (L) position.

## Selecting SPORT Mode

### **SPORT** SPORT mode:

When using the SPORT switch, shift the shift select lever to the high-range (H) position, and select AT mode. When SPORT mode is turned on, the SPORT indicator comes on.

In SPORT mode, the engine operates at higher engine revolutions when compared to the normal mode.

# Basic Operation

---

Temporarily changing gears by operating the shift paddle while AT mode is selected

You can temporarily change gears by operating the shift paddles even while AT mode is selected.

When operating the shift paddles while AT mode is selected, the “H” or “L” displayed in the gear position display of the multi-function display changes to a gear position number (1 – 6). (The AT indicator stays on)

Because the gear change is temporary, the vehicle automatically returns to normal AT mode under the following conditions:

- When the shift paddles are not operated for a prescribed time
- When the vehicle speed is reduced and automatically downshifts
- When the AT/MT switch is pressed
- When the SPORT switch is pressed
- When the shift select lever is operated

Shift Limit:

During MT mode, downshifts may not be executed if they cause the engine to exceed the rev limit.

## NOTICE

*To prevent clutch damage, do not use the throttle to hold the vehicle stationary on an incline or try to tow an immovable object.*

# Basic Operation

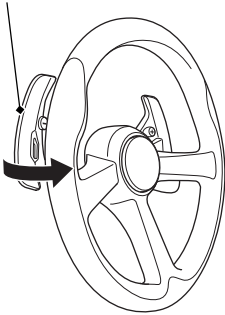
---

Driving by operating the shift paddles while MT mode is selected

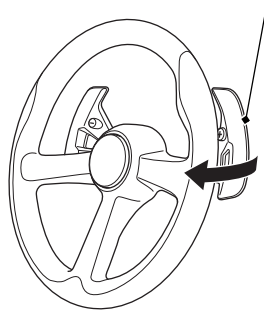
To upshift the transmission, pull the right side upshift paddle once. To downshift the transmission, pull the left side downshift paddle once.

## GEAR SHIFTING SEQUENCE

downshift paddle (-)



upshift paddle (+)



After starting the engine and letting it warm up, follow this procedure:

1. Press the brake pedal.
2. With the throttle closed, select the shift select lever into high-range (H) or low-range (L) position, and then select MT mode by pressing the AT/MT switch.
3. Release pressure from the brake pedal and increase engine speed by gradually pressing the accelerator pedal.
4. When speed increases, shift to 2nd gear by pulling the upshift paddle once.
5. Repeat this sequence to progressively upshift to 3rd, 4th, 5th and 6th (top) gear.
6. To downshift, pull the downshift paddle once.



# Basic Operation

---

## Selecting a Drive Mode

### **Turf**

This mode supplies power to the rear wheels only. This mode is for driving on turf.

### **2WD**

This mode supplies power to the rear wheels, and locks the rear differential. This mode is best for surfaces that provide good traction.

### **4WD (SXS1000M3P/M3D Deluxe/M5P/M5D Deluxe)**

This mode supplies power to the front and rear wheels, and locks the rear differential.

Steering will require slightly more effort than with 2WD. This mode is recommended for driving on surfaces that provide relatively poor traction.

### **4WD Diff Lock (SXS1000M3P/M3D Deluxe/M5P/M5D Deluxe)**

This mode supplies power to the front and rear wheels, and locks the rear and front differential.

As a result, steering will require extra space and effort. Select this mode to maximize available traction.

### **i - 4WD (SXS1000M3D Trail/M3D Forest/M5D Trail/M5D Forest)**

This mode supplies power to the front and rear wheels, and locks the rear differential. In addition, Brake Traction Control System (BTCS) will work to enhance vehicle stability in slippery conditions.

Brake Traction Control System (BTCS):

BTCS applies the front brake in slippery conditions to help prevent loss of traction due to wheel spin when applying the accelerator pedal.

When applying the brake while BTCS is operating, the brake pedal will have a flutter feel. This is normal.

Before using the drive mode select lever to change from one mode to another, be sure the vehicle is stopped and the engine is idling. See page 49 for additional information.

# Basic Operation

---

## Parking

### SXS1000M3P/M3D Deluxe/M3D Trail/M5P/M5D Trail

Look for a clear, level parking area with a firm surface. Avoid parking on a slope or on loose or slippery surfaces, if possible. If you must park on a slope, block the wheels to help keep the vehicle from sliding.

After bringing your vehicle to a stop:

1. Keep your foot on the brake pedal while you shift into the park (P) position.
2. Slowly release the brake pedal.
3. Turn the ignition switch to the OFF (O) position, and remove the key.

### SXS1000M3D Forest/M5D Deluxe/M5D Forest

The SXS1000M3D Forest/M5D Deluxe/M5D Forest is equipped with an auto leveling rear shock absorber. (See page 207 for more information)

Look for a clear, level parking area with a firm surface. Parking on top of obstructions or terrain features taller than about 7.9 inches (200 mm) could result in the SXS1000 becoming stuck if the cargo bed is loaded and the vehicle settles (up to 4.5 inches [114 mm]) while parked. Avoid parking on a slope or on loose or slippery surfaces, if possible. If you must park on a slope, block the wheels to help keep the vehicle from sliding.

After bringing your vehicle to a stop:

1. Keep your foot on the brake pedal while you shift into the park (P) position.
2. Slowly release the brake pedal.
3. Turn the ignition switch to the OFF (O) position, and remove the key.

# Driving Guidelines

---

Your Honda SXS has been designed with many safety features to help protect you. These include a strong occupant protection structure, seat belts, doors, and side nets. However, no safety system can prevent all injuries.

The following pages contain important precautions and driving guidelines to help you make good decisions and operate your vehicle safely.

## **WARNING**

Failure to follow the driving guidelines in this owner's manual can lead to a crash or overturn in which you or others can be seriously hurt or killed.

Follow all safe-driving guidelines in this owner's manual.

## Safe Driving Precautions

Before driving your Honda SXS for the first time, please review the "Driver & Passenger Safety" section (page 1), the "Before Driving" section (page 99), and the precautions below.

We also recommend that you complete the Recreational Off-Highway Vehicle (ROV) E-Course. The free course is available at [www.ROHVA.org](http://www.ROHVA.org). The two-hour ROV E-Course is a multi-media, interactive, online safety course that reinforces:

- Key risk factors associated with ROV operation
- Safe driving practices that will reduce risk of injury
- The best resources for learning about your particular vehicle

# Driving Guidelines

---

The ROHVA (Recreational Off-Highway Vehicle Association) also offers the hands-on ROV Basic Driver Course (RBDC). Information on and registration for the RBDC is available at [www.ROHVA.org](http://www.ROHVA.org).

## Off-highway Use Only

Your Honda SXS was designed for use on a wide variety of terrain and situations. However, it should not be driven on any public road, paved or unpaved, because it is not equipped to legally or safely drive on such roads.

Remember to obey all local off-road regulations, obtain permission before driving on someone else's private property, and respect all "no trespassing" signs.

## Control Speed

Driving at excessive speed for the terrain or other conditions increases the chance of a crash or overturn. Always reduce speed when driving on hilly terrain, or when carrying cargo or towing a trailer.

## Use Extra Care on Unfamiliar Terrain

When driving in a new area, keep your speed low and check the terrain ahead for possible problems, such as large rocks, bumps, holes, or drop-offs. Don't drive fast on unfamiliar terrain or when visibility is limited. If you drive in an area with other vehicles, be sure to keep a safe distance to avoid a collision.

## Do Not Perform Stunts

Keep all four wheels on the ground at all times. Showing off or attempting to perform stunts could lead to a crash or overturn in which the driver, a passenger, or others could be seriously hurt or killed.

# Driving Guidelines

---

## Off-road Driving Considerations

Your Honda SXS was designed and intended for off-road use. In the event that you must drive on a paved surface, be aware that your Honda SXS will feel and handle different than it does on dirt. The tires will also wear much faster.

### Vehicle Design

The Honda SXS handles somewhat differently from on-highway vehicles due in part to features that allow it to perform its role as an off-highway recreational vehicle. For example, this Honda SXS has a higher center of gravity than vehicles designed for use only on pavement. It is also equipped with large low-pressure tires that allow good traction in sand, loose dirt, wet grass and other low-traction surfaces.

These advantages come at some cost. Because your vehicle is taller and rides higher off the ground, it can more easily tip or roll over if you make abrupt turns or drive on sloped terrain.

### Off-highway Environments

Driving on private property, or in approved off-highway areas, means you leave a generally predictable and orderly world behind. You won't find lane markers or traffic signals, and no one will be there to warn you of trouble ahead. It's up to you to assess situations and drive within limits. The terrain has limits (it may be too steep or bumpy, for example). The vehicle has limits (e.g., traction, stability, and power). And you may be limited by lack of experience.

# Driving Guidelines

---

## Surface Considerations

The kind of surface you drive on can affect how your vehicle handles. For example, on loose or soft surfaces you'll need more time and distance to accelerate, turn, or brake to a stop.

Avoid any sudden sharp turns, particularly on pavement and other hard surfaces. Always slow down after moving from one type of surface to another until you get accustomed to how your vehicle handles.

## Reading the Terrain

Because visual information comes in unpredictable ways off-road, you need to stay alert, constantly survey the terrain, and go slow enough to analyze situations and make good decisions.

As your eyes search the terrain ahead, watch for changes in surface conditions. One minute you can be on firm soil and the next in soft sand or deep mud. A path can quickly change from level to bumpy, slope at a dangerous angle, or disappear in a drop-off. Always keep your eyes open for holes, washouts, or obstacles that could upset or damage the vehicle.

## Controlling Speed

Whether you travel off-road or on pavement, the general rule is to keep your speed low. Of course, you'll need enough speed to keep moving forward, but too much speed can lead to problems.

When driving off-road at higher speeds, you have less time to read the terrain and make good decisions. The drive can also be more bumpy, and there's a greater chance of the vehicle sliding if you brake or turn quickly on wet soil, gravel, or another slippery surface. Never go faster than conditions allow.

When driving at a constant low speed (5 mph [8 km/h] or below), shift the shift select lever into low-range (L) position.

# Driving Guidelines

---

## Driving with Cargo or Pulling a Trailer

The added weight of carrying cargo or pulling a trailer will affect how your vehicle accelerates, brakes, and handles. The added weight and length of a trailer will affect your directional control.

Please follow these guidelines whenever you carry cargo or pull a trailer:

- Do not exceed the cargo limit and towing limits (see page 107 for loading cargo and page 109 for towing a trailer).
- When driving with heavy cargo or towing heavy loads, shift the shift select lever into low-range (L) position.
- Keep speed low, particularly when driving on hills.
- Allow extra distance to accelerate, turn, and slow or stop.
- Do not drive across a steep slope with a trailer.

## **Basic Driving**

### Making Turns

The basic turning technique for Honda SXS is to drive at low speed and gradually adjust the amount of steering to suit the surface. Do not make sudden sharp turns, either off-road or on pavement.

If your vehicle ever skids sideways during a turn, steer in the direction of the skid. Also, avoid hard braking or accelerating until you have regained directional control.

### Braking

The best off-road braking technique is to gently step down on the brake pedal, then increase pressure as more braking is needed. Light braking may be all you need on soft surfaces, such as sand or loose dirt. Avoid hard braking on any surface.

(SXS1000M3D Trail/M3D Forest/M5D Trail/M5D Forest)

Your Honda SXS is equipped with an EBD. For more information about EBD, see page 96.

# Driving Guidelines

---

## Driving on Hills

Hills present some of the greatest challenges and hazards, especially if you are carrying cargo or pulling a trailer. If you are new to off-road driving, start with gentle inclines, take time to learn how your vehicle handles on slopes, and read the information that follows.

Even if you have previous off-road driving experience, the guidelines below should serve as important reminders.

### Approaching a Hill

When you approach a hill, you need to decide whether it is one that you, your passengers, your cargo and your vehicle can handle. For example, ask yourself:

- Is the hill too steep? Is the incline constant, or are there places where it gets suddenly steeper? If you run out of power, you may not be able to continue forward.
- Is there enough traction for you to make it to the top without spinning the wheels or sliding backwards?
- Are there obstacles, such as rocks or ruts, that could upset your vehicle and make it roll over?
- If there is no safe predetermined path, can you drive straight up the hill without turning?
- Do you know what is on the other side of the hill?

If you do not know the answers to these questions before beginning an ascent, you should stop and walk up the hill to find out.



# Driving Guidelines

---

## Driving Up a Hill

If you decide that it is safe to drive your Honda SXS up a hill:

- Select an appropriate drive mode for the hill. When ascending steep hills, shift the shift select lever into low-range (L) position.
- Approach the hill with enough speed to smoothly start up the hill.
- Maintain a steady speed as you climb the hill.
- Reduce speed as you approach the top, and watch for other vehicles that may be approaching the top from the other side of the hill.

## **NOTICE**

*To prevent clutch damage, do not use the throttle to hold the vehicle stationary on an incline or try to tow an immovable object.*

## If You Stall Going Up a Hill

If a hill is steeper than you expected, traction is poor, or you don't maintain sufficient speed, you may begin to stall. If that happens:

- Stop the vehicle and shift into the park (P) position.
- If you have passenger(s), you may want to have them get out and move away from the vehicle.
- If you are headed straight up the hill, shift into the reverse (R) position, and slowly back straight down the hill, gently using the brake pedal to control speed.

## Driving Down a Hill

Before driving down a hill, as with driving up a hill, you need to evaluate whether you can make it safely to the bottom and away from the slope.

Ask yourself:

- Is the hill too steep to maintain speed and steering control?
- Is the surface too rough or too slippery?
- Can you drive straight down without turning?
- Is there a safe exit when you reach the bottom of the hill?

# Driving Guidelines

---

If you decide it is safe to drive down a hill:

- Hold the steering wheel firmly and drive straight back down the hill.
- Gently apply the brakes to help control speed, but do not “ride” the brakes.

## Crossing a Hill

Before traversing a hill, consider these facts:

- A hill that you can drive straight up or down can be too steep to drive across.
- When you drive straight up or down a slope, the length of the wheelbase reduces the chance of tipping over backward or forward, but when you drive across a slope, the vehicle’s narrower track and higher center of gravity increases the chance of tipping or rolling over.
- If you drive across a slope and an uphill wheel hits a bump, or a downhill wheel drops into a hole, your vehicle will tip downward even more.

If you can’t clearly see all terrain conditions (good traction, no bumps, holes or other obstacles, etc.), stop and walk the slope before you drive on it. If you have any doubt whether you can safely drive across a slope, don’t do it. Find another route.

## Avoiding Obstacles

When driving off-road, always watch for bumps, pot holes, rain ruts and other obstacles. Large bumps and holes can bounce you around and cause you to lose control or get stuck. Slow down whenever you drive on rough terrain.

# Driving Guidelines

---

## Driving Through Water

Before driving through water, stop and make sure that:

- The water is not more than about 10 inches (25 cm) deep.
- The water is not flowing too fast. Deep rushing water can sweep you downstream. Even very shallow rushing water can wash the ground from under your tires and cause you to lose traction and possibly roll over.
- Both banks have gradual slopes and good traction, so you can enter the stream and exit safely.
- The surface under the water appears to provide good traction. Remember, the water may hide hazards, such as rocks, holes, mud, or slippery vegetation.

If you decide you can safely cross the water:

- Proceed at a slow, steady speed.
- Watch for submerged obstacles, including slippery rocks and holes.

### NOTICE

*Water entering the air intake system can cause severe engine damage.*

If the engine stalled while driving through water, inspect the vehicle before starting the engine. Refer to *If Your Honda SXS Becomes Immersed in Water*, page 275.

# Driving Guidelines

---

## Driving at Night

If you drive your Honda SXS at night, always drive slower and more cautiously than you would in daylight.

This page intentionally left blank.

# Servicing Your Honda

---

To help keep your Honda SXS in good shape, this section includes a Maintenance Schedule for required service and step-by-step instructions for specific maintenance tasks. You'll also find important safety precautions, information on fuels and oils, and tips for keeping your Honda looking good.

For information about replacing fuses, see page 264.

(USA & Canada only)

For information about the exhaust emission and noise requirements of the U.S. Environmental Protection Agency (EPA), the California Air Resources Board (CARB), and Environment and Climate Change Canada (ECCC), see page 290.

USA Only

**Maintenance, replacement or repair of the emission control devices and systems may be performed by any repair establishment or individual using parts that are "certified" to EPA standards.**

## *Before You Service Your Honda*

The Importance of Maintenance .....	135
Maintenance Safety .....	136
Important Safety Precautions .....	137
Maintenance Schedule .....	138
Maintenance Record.....	143

## *Service Preparations*

Maintenance Component Locations .....	144
Tool Kit .....	149
Owner's Manual Storage .....	150
Front Hood.....	151
Front Seat Removal.....	153

(cont'd)

# Servicing Your Honda

---

Air Cleaner Outer Cover Removal .....	154
Rear Mudguard Lid Removal .....	155
Heat Shield Cover Removal (SXS1000M5P/M5D only) .....	156
Clip Removal .....	157
Jack-Up Point & Support Point .....	159

## *Service Procedures*

### Fluids, Filters & Lubricants

Fuel .....	160
Engine Oil & Filters .....	163
Sub-Transmission Oil .....	176
Front Final Gear Oil .....	180
Rear Final Gear Oil .....	182
Coolant .....	184
Air Cleaner .....	188
Lubrication .....	192

### Engine

Accelerator Pedal .....	197
Spark Plugs .....	199
Spark Arrester .....	202
Exhaust System .....	204

### Chassis

Suspension .....	205
Brakes .....	210
Tires .....	216
Wheels .....	224
Driveshaft Boots .....	225

### Electrical

Battery .....	226
---------------	-----

Appearance Care .....	231
-----------------------	-----

# The Importance of Maintenance

---

A well-maintained Honda SXS is essential for safe, economical, and trouble-free operation. It will also help reduce air pollution. Careful pre-drive inspections and good maintenance are especially important because your Honda SXS is designed to be driven over rough off-road terrain.

To help you properly care for your Honda SXS, this section of the manual provides a Maintenance Schedule. The service intervals in this schedule are based on average operation conditions.

## **WARNING**

Improperly maintaining this Honda SXS or failing to correct a problem before you drive can cause a crash in which you can be seriously hurt or killed.

Always follow the inspection and maintenance recommendations and schedules in this owner's manual.

If your Honda SXS overturns or is involved in a crash, be sure your dealer inspects all major parts, even if you are able to make some repairs.



# Maintenance Safety

---

This section includes instructions on how to perform some important maintenance tasks. If you have basic mechanical skills, you can perform many of these tasks with the tools provided with your Honda SXS.

Other tasks that are more difficult and require special tools are best performed by professionals. Removing the wheels should normally be handled only by a Honda technician or other qualified mechanic. Instructions are included in this manual only to assist in emergency service.

Some of the most important safety precautions follow. However, we cannot warn you of every conceivable hazard that can arise in performing maintenance. Only you can decide whether or not you should perform a given task.

## **WARNING**

Failure to properly follow maintenance instructions and precautions can cause you to be seriously hurt or killed.

Always follow the procedures and precautions in this owner's manual.

# Maintenance Safety

---

## Important Safety Precautions

- Make sure the engine is off before you begin any maintenance or repairs. This will help eliminate several potential hazards:
  - Carbon monoxide poisoning from engine exhaust.** Be sure there is adequate ventilation whenever you operate the engine.
  - Fire hazards due to debris accumulation.** Built-up debris could catch fire and cause burns and other fire related injuries. Clean the vehicle immediately after each use to remove any debris from near the engine, exhaust system, and other potentially hot areas. Be careful not to make direct contact with hot surfaces or components while clearing debris. Wear protective gloves/clothing and use appropriate tools to clear debris.
  - Injury from moving parts.** Do not run the engine unless instructed to do so.
- Read the instructions before you begin, and make sure you have the tools and skills required.
- To reduce the possibility of a fire or explosion, be careful when working around gasoline. Use only non-flammable solvent, not gasoline, to clean parts. Keep cigarettes, sparks, and flames away from all fuel-related parts.

Remember that your Honda dealer knows your Honda SXS best and is fully equipped to maintain and repair it. To ensure the best quality and reliability, use only new Honda Genuine Parts or other equivalents for repair and replacement. If you have the tools and skills required for additional maintenance jobs, you can purchase an official Honda Service Manual (page 300).

# Maintenance Schedule

---

The required Maintenance Schedule that follows specifies how often you should have your Honda SXS serviced and what things need attention. It is essential to have your Honda SXS serviced as scheduled to maintain safe, dependable performance, and proper emission control.

The service intervals in this Maintenance Schedule are based on average driving conditions. Some items will need more frequent service if you drive in unusually wet or dusty areas or at full throttle. Consult your dealer for recommendations applicable to your individual needs and use.

Some items in the Maintenance Schedule can be performed with basic mechanical skills and hand tools. Procedures for these items are provided in this manual. Other items involve more extensive procedures and may require special training, tools, and equipment. We recommend that you have your dealer perform these tasks unless you have advanced mechanical skills and the required tools and equipment. Procedures for such items in this schedule are provided in an official Honda Service Manual available for purchase (page 300).

If you do not feel capable of performing a given task or need assistance, remember that your Honda dealer knows your Honda SXS best and is fully equipped to maintain and repair it. If you decide to do your own maintenance, use only Honda Genuine Parts or their equivalents for repair or replacement to ensure the best quality and reliability.

# Maintenance Schedule




---

Perform the pre-drive inspection (page 104) and owner maintenance in this section at each scheduled maintenance period.

## Maintenance Minder Messages on the Multi-function Display

The maintenance minder indicator appears in the multi-function display when the mileage or operating hours on your Honda SXS reaches the maintenance interval specified on the maintenance schedule.

Maintenance Minder Indicators:

	<b>Initial Maintenance</b> Appears at 100 miles (150 km) or 20 operating hours, whichever comes first. See <i>Initial Maintenance</i> on the maintenance schedule.
	<b>Regular Maintenance Interval 1</b> Appears 600 miles (1,000 km) or 100 operating hours after the Initial Maintenance is performed and maintenance minder is reset (page 39). See <i>Regular Maintenance Interval</i> for 100, 300, and 500 operating hours (or corresponding mileage interval, whichever comes first) in the maintenance schedule.
	<b>Regular Maintenance Interval 2</b> Appears 600 miles (1,000 km) or 100 operating hours after Regular Maintenance Interval 1 is performed and maintenance minder is reset (page 39). See <i>Regular Maintenance Interval</i> for 200, 400, and 600 operating hours (or corresponding mileage interval, whichever comes first) in the maintenance schedule.

# Maintenance Schedule

---

- The Initial Maintenance indicator appears only once over the life of the vehicle.
- The Regular Maintenance Interval 1 and 2 indicators will appear alternately over the life of the vehicle.
- Consider the total mileage and operating hours shown on the odometer/hour meter, along with your vehicle maintenance history, to determine the appropriate Regular Maintenance Interval to follow on the maintenance schedule.

Each item on the maintenance schedule requires some mechanical knowledge. Certain items (particularly those marked \* and \*\*) may require more technical information and tools. Consult your dealer.

- \* Should be serviced by your dealer, unless you have the proper tools and service data, and are mechanically qualified. Refer to the official Honda Service Manual (page 300).
- \*\* In the interest of safety, we recommend these items be serviced only by your dealer.

## *Summary of Maintenance Schedule Notes:*

### NOTES:

- Note 1 Inspect valve clearance per the maintenance interval and more frequently if the engine becomes noisy.
- Note 2 Service more frequently when operating in dusty areas, sand or snow.
- Note 3 Service more frequently when operated in muddy conditions.
- Note 4 Check the underbody whenever the under guard has been hit.

# Maintenance Schedule

Service the items listed at the indicated distance (or time, if given).											
			Initial maintenance	Regular maintenance interval							
FREQUENCY (Whichever comes first)	x100 mi	1	6	12	18	24	30	36	Note	Refer to page	
	x100 km	1.5	10	20	30	40	50	60			
Hours	20	100	200	300	400	500	600				
ITEMS	Month	1	12								
Check engine oil and coolant	Check oil and coolant at fuel stop								166, 185		
Check tires	Check inflation and condition once a month								217		
Check side net adjustment and snap hooks	•	•	•	•	•	•	•		64		
Check brake fluid	Check fluid level once a month								211		
Replace engine oil and oil filter	•		•		•		•		168		
Check sub-transmission oil	•		•		•		•		176		
Replace sub-transmission oil	Every 2 years (regardless of mileage)								178		
Replace DCT oil filter	•				•				173		
* Inspect valve clearance	•			•			•	1	—		
* Clean spark arrester			•	•	•	•	•		202		
Replace air cleaner element							•	2	189		
Clean sub air cleaner element				•			•	2	191		
Check spark plug			•	•	•	•	•		199		
* Inspect idle speed	•			•			•		—		
* Check fuel lines and connections				•			•		—		
Check front and rear brakes	•			•			•	3	210		
Check front and rear final gear oil	•			•			•		180, 182		

\* Should be serviced by your dealer, unless you have the proper tools and service data, and are mechanically qualified. Refer to the official Honda Service Manual (page 300).

Note 1 Inspect valve clearance per the maintenance interval and more frequently if the engine becomes noisy.

Note 2 Service more frequently when operating in dusty areas, sand or snow.

Note 3 Service more frequently when operated in muddy conditions.

# Maintenance Schedule

Service the items listed at the indicated distance (or time, if given).												
			Initial maintenance	Regular maintenance interval						Note	Refer to page	
ITEMS	FREQUENCY (Whichever comes first)	x100 mi	1	6	12	18	24	30	36			
		x100 km	1.5	10	20	30	40	50	60			
		Hours	20	100	200	300	400	500	600			
		Month	1	12								
*	Lubricate all hinges, latches, and pivots					•			•		192	
**	Inspect the following items:										—	
	Suspension components										—	
	Wheels										224	
	Driveshaft boots										225	
	Accelerator pedal and brake pedal					•			•		197, 214	
	Brake light switch										215	
	Exhaust system										204	
	Battery terminal condition										227	
*	Check parking lock system adjustment		•						•		—	
*	Check shift lever adjustment		•						•		—	
**	Inspect the following items:										—	
	Tie-rod ends										—	
*	Steering gearbox and boots								•		—	
*	Brake hoses and lines										—	
*	SxS underbody									4	—	
*	Inspect evaporative emission control system (USA - 50 states [meets California])										—	
	Replace the following items:										—	
	Front and rear final gear oil										181, 183	
*	Engine coolant										187	
*	Brake fluid										—	

\* Should be serviced by your dealer, unless you have the proper tools and service data, and are mechanically qualified. Refer to the official Honda Service Manual (page 300).

\*\* In the interest of safety, we recommend these items be serviced only by your dealer.

Note 4 Check the underbody whenever the under guard has been hit.

# Maintenance Record

---

Keeping an accurate maintenance record will help ensure that your Honda SXS is properly maintained. Retain detailed receipts to verify the maintenance was performed. If the Honda SXS is sold, these receipts should be transferred with the Honda SXS to the new owner. Make sure whoever performs the maintenance completes this record. All scheduled maintenance, including the 100-mile (150 km) or 20 hours initial maintenance, is considered a normal owner operating cost and will be charged for by your dealer. Use the space under Notes to record anything you want to remind yourself about or mention to your dealer.

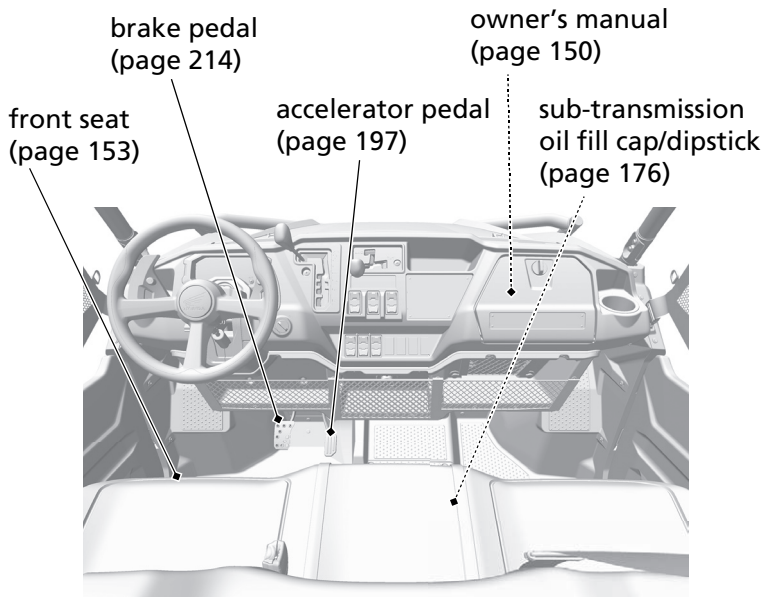
<b>Miles (km) or hours</b>	<b>ODO or HOUR</b>	<b>Date</b>	<b>Performed By:</b>	<b>Notes</b>
100 (150) or 20				
600 (1,000) or 100				
1,200 (2,000) or 200				
1,800 (3,000) or 300				
2,400 (4,000) or 400				
3,000 (5,000) or 500				
3,600 (6,000) or 600				
4,200 (7,000) or 700				
4,800 (8,000) or 800				



# Maintenance Component Locations

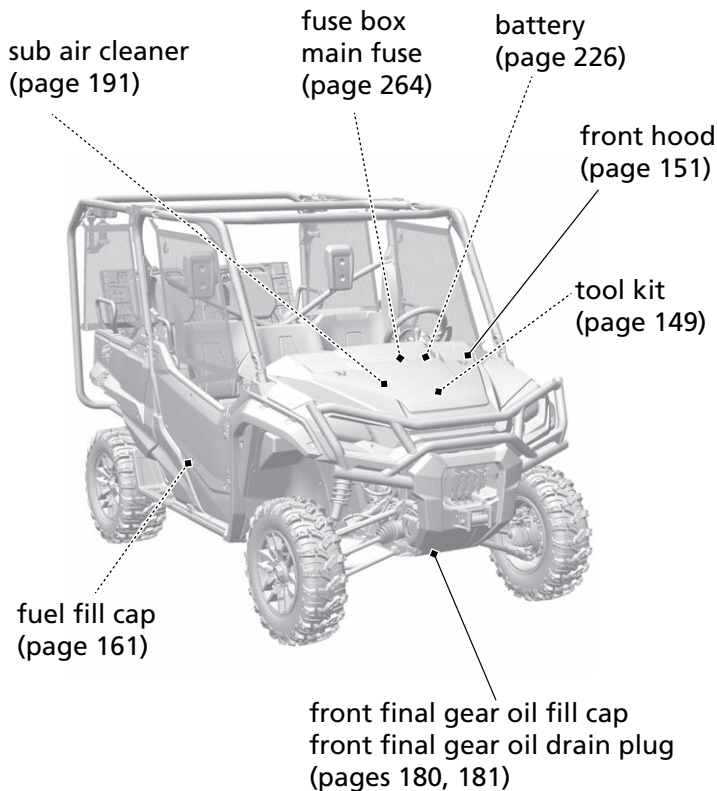
---

- Indicates something visible.
- .....→ Indicates something concealed.



# Maintenance Component Locations

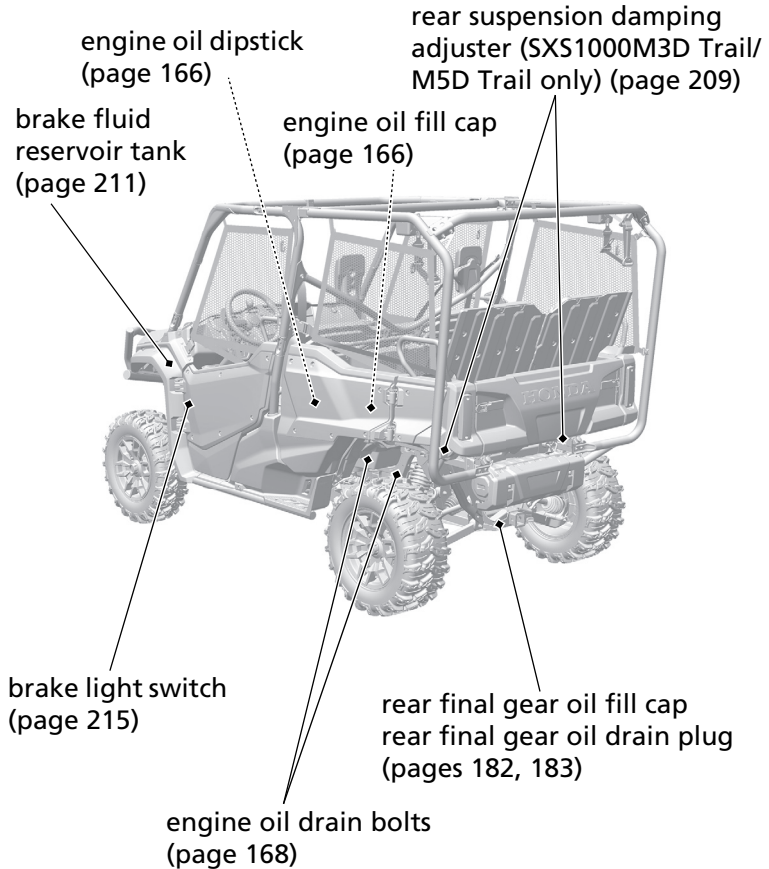
---



# Maintenance Component Locations

---

- Indicates something visible.
- .....→ Indicates something concealed.

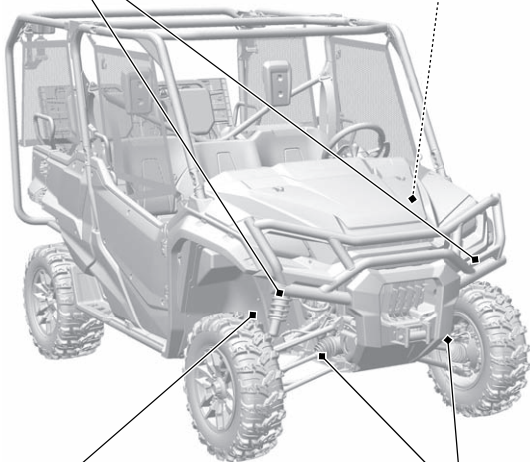


# Maintenance Component Locations

---

front suspension damping adjuster  
(SXS1000M3D Trail/M5D Trail only)  
(page 208)

coolant reserve tank  
(page 184)



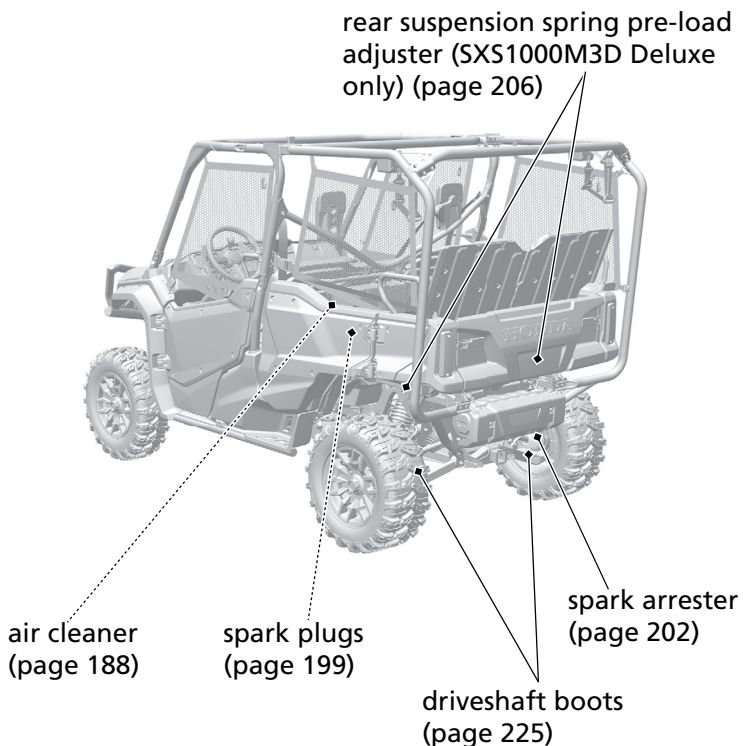
sub-transmission oil drain bolt  
(page 178)

driveshaft boots  
(page 225)

# Maintenance Component Locations

---

- Indicates something visible.
- .....→ Indicates something concealed.



# Tool Kit

---

The tool kit is stored under the front hood.

To access the tool kit, remove the front hood (page 151), and remove the rubber band.

After using the tool kit, be sure to use the rubber band to fasten the tool kit securely.

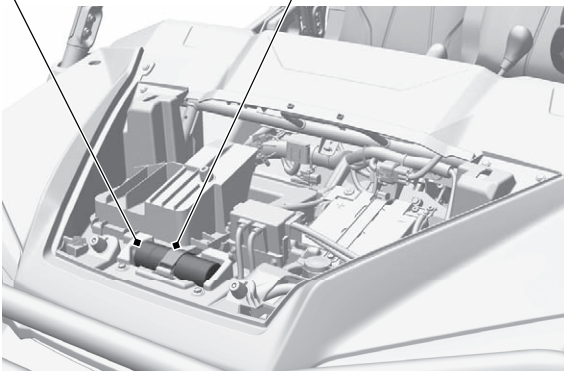
The tool kit includes the following items:

- \* Standard/Phillips screwdriver
- \* Screwdriver handle
- \* Spark plug wrench
- \* 10 x 14 mm Open end wrench
- \* Gear change tool

## UNDER FRONT HOOD

tool kit

rubber band



# Owner's Manual Storage

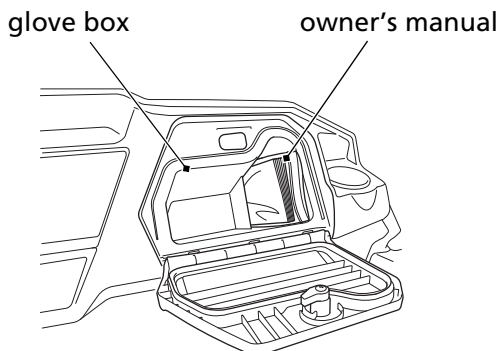
---

Your Honda SXS provides storage for the owner's manual so you'll have it with you for easy reference. Store your owner's manual in the storage compartment on the inside of the glove box.

The owner's manual should be stored in the plastic bag.

Be careful not to flood this area when washing your Honda SXS.

## RIGHT SIDE



# Front Hood

---

Refer to *Safety Precautions* on page 137.

The front hood must be removed to access the tool kit, to add coolant, to clean the sub air cleaner, to lubricate the shift select lever pivots and drive mode select lever pivots, battery maintenance, to check the color label and to replace a fuse.

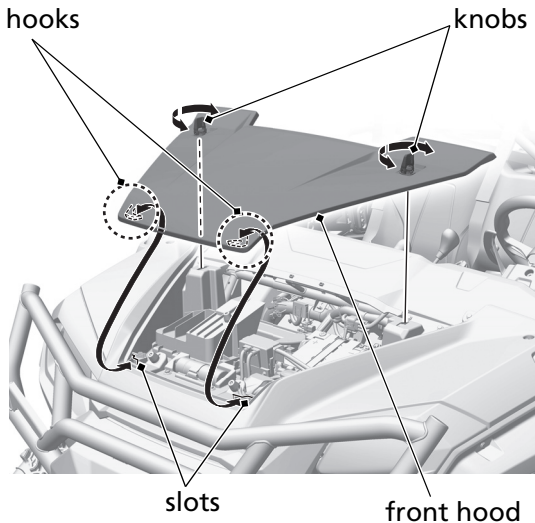
## Removal

1. Turn the knobs 1/4 clockwise or 1/4 counterclockwise.
2. Remove the front hood.

## Installation

1. Insert the hooks into the slots.
2. Turn the knobs 1/4 counterclockwise or 1/4 clockwise.

SXS1000M5D Forest shown





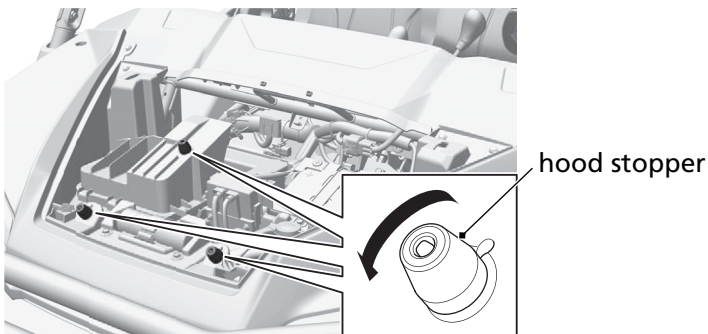
# Front Hood

---

If the front hood rattles when closed, turn the hood stopper counterclockwise to adjust front hood.

## Adjust

1. Remove the front hood (page 151).
2. Turn the hood stoppers counterclockwise to extend them, and clockwise to retract them.
3. Make sure the front hood is installed securely.



# Front Seat Removal

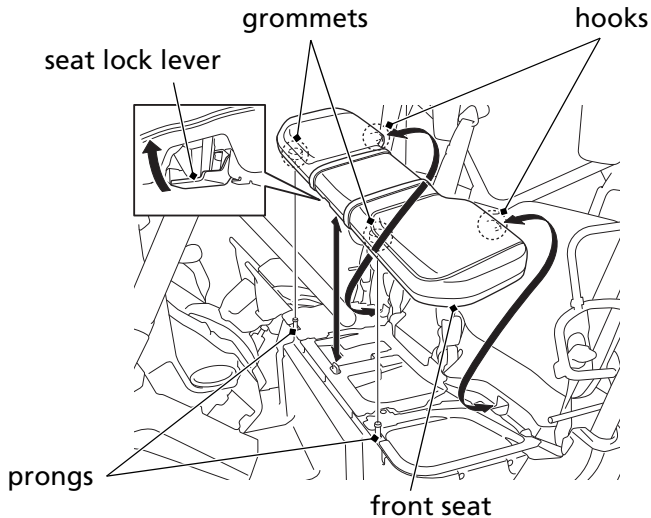
---

Refer to *Safety Precautions* on page 137.

The front seat must be removed, to check the sub-transmission oil and to add the sub-transmission oil.

## Removal

1. Open the doors (page 62).
2. Pull the seat lock lever at the front center of the seat.
3. Pull the front of the front seat upward then slide it slightly forward.



## Installation

1. Insert the hooks into the frame and the prongs into the grommets of the front seat.
2. Press down on the front seat until it locks.

# Air Cleaner Outer Cover Removal

---

Refer to *Safety Precautions* on page 137.

The air cleaner outer cover must be removed to replace the air cleaner and for spark plug maintenance.

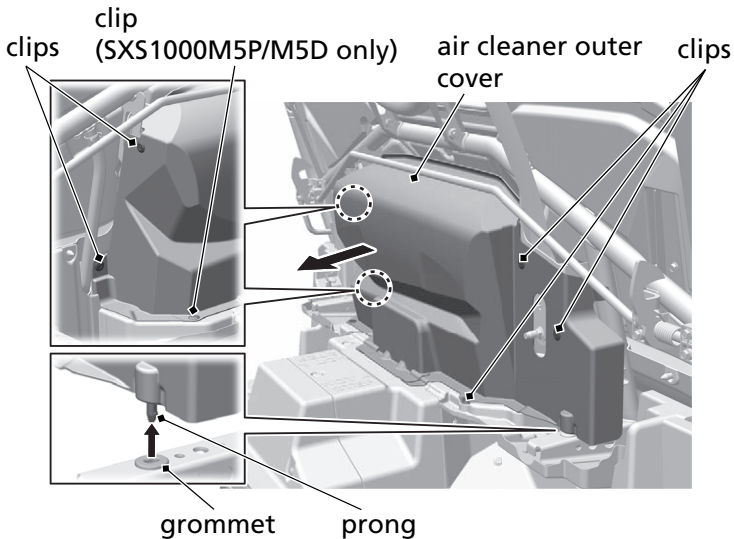
## Removal

1. Lift the cargo bed (page 93).
2. Remove the clips (page 157).
3. Remove the prong from the grommet.

## Installation

1. Insert the prong into the grommet.
2. Install the clips.
3. Lower the cargo bed.

## UNDER CARGO BED



# Rear Mudguard Lid Removal

---

Refer to *Safety Precautions* on page 137.

The rear mudguard lid must be removed to add the engine oil and to access the emergency valve and emergency lever.

## Removal

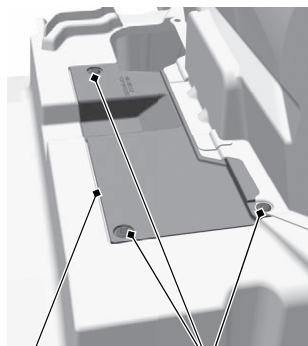
1. Lift the cargo bed (page 93).
2. Remove the clips (page 157).
3. Remove the rear mudguard lid.

## Installation

1. Install the rear mudguard lid.
2. Install the clips.
3. Lower the cargo bed.

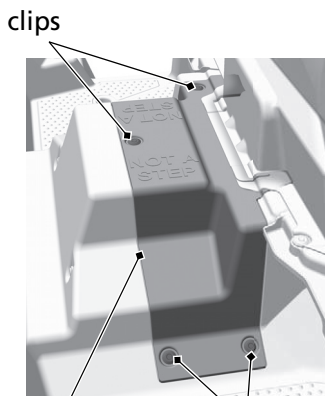
### UNDER CARGO BED

(SXS1000M3P/M3D)



rear mudguard lid  
clips

(SXS1000M5P/M5D)



clips  
rear mudguard lid  
clips

# Heat Shield Cover Removal (SXS1000M5P/M5D only)

---

Refer to *Safety Precautions* on page 137.

The heat shield cover must be removed to access the emergency valve and emergency lever and to check the engine number.

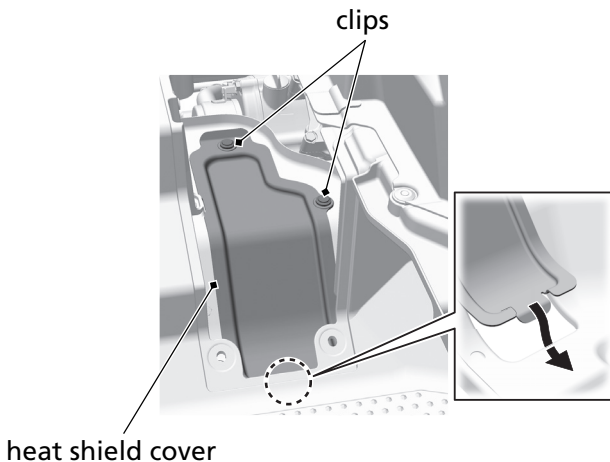
## Removal

1. Lift the cargo bed (page 93).
2. Remove the rear mudguard lid (page 155).
3. Remove the clips (page 158).
4. Remove the heat shield cover.

## Installation

1. Install the heat shield cover.
2. Install the clips.
3. Install the rear mudguard lid.
4. Lower the cargo bed.

## UNDER CARGO BED



# Clip Removal

---

*Clip removal and installation:*

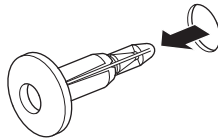
## Removal

1. Press down on the center pin to release the lock.
2. Pull out the clip of the hole.

1

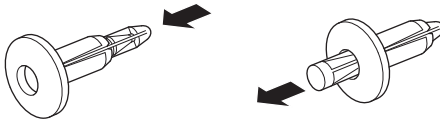


2



## Installation

1. Push the bottom of the center pin.



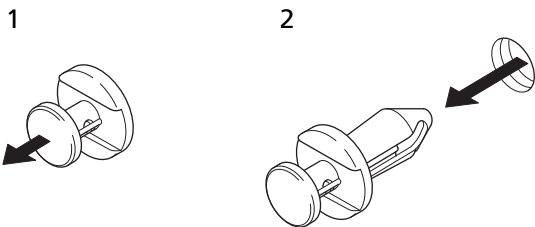
2. Insert the clip into the hole.
3. Press down on the center pin to lock the clip.

# Clip Removal

---

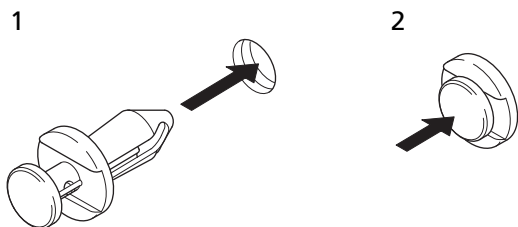
## Removal

1. Pull up the center pin to release the lock.
2. Pull out the clip of the hole.



## Installation

1. Insert the clip into the hole.
2. Press down the center pin securely to lock the clip.



# Jack-Up Point & Support Point

Refer to *Safety Precautions* on page 137.

When jacking up and supporting this vehicle, the following jack-up points and support points should be used.

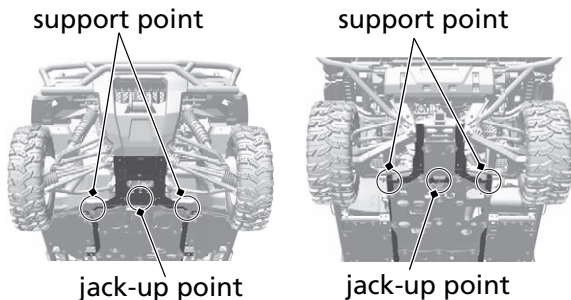
## **⚠ WARNING**

The vehicle can easily roll off a jack, seriously injuring anyone underneath.

Follow the directions for changing a tire exactly, and never get under the vehicle when it is supported only by the jack.

When using a jack, always abide by the following instructions.

- Do not leave the engine running.
- (SXS1000M3P/M3D Deluxe/M5P/M5D Deluxe only)  
Move the drive mode select lever into 4WD Diff Lock position and move the shift select lever into the park (P) position.
- (SXS1000M3D Trail/M3D Forest/M5D Trail/M5D Forest only)  
Move the drive mode select lever into i - 4WD position and move the shift select lever into the park (P) position.
- Use only on a firm level surface.
- Place a jack only at the specified jack-up point.
- Do not leave any person or cargo in the vehicle.
- Do not place any object above or under a jack.





# Fuel

---

Refer to *Safety Precautions* on page 137.

## Fuel Recommendation

type	unleaded
pump octane number	86 (or higher)

Use only unleaded fuel in your Honda. The use of leaded fuel will damage the catalytic converter(s). If you drive your Honda in a country where leaded fuel might be available, take precautions to use only unleaded fuel.

Your engine is designed to use any unleaded gasoline that has a pump octane number of 86 or higher. Gasoline pumps at service stations normally display the pump octane number. For information on the use of oxygenated fuels (USA & Canada only), see page 294.

For information on the use of *Petrol Containing Alcohol* (Except USA & Canada), see page 296.

Use of lower octane gasoline can cause persistent “pinging” or “spark knock” (a loud rapping noise) which, if severe, can lead to engine damage. Light pinging experienced while operating under a heavy load, such as climbing a hill, is no cause for concern.

If pinging or spark knock occurs at a steady engine speed under normal load, change brands of gasoline. If pinging or spark knock persists, consult your dealer.

Never use stale or contaminated gasoline or an oil/gasoline mixture. Avoid getting dirt, dust, or water in the fuel tank.

## Fuel Capacity

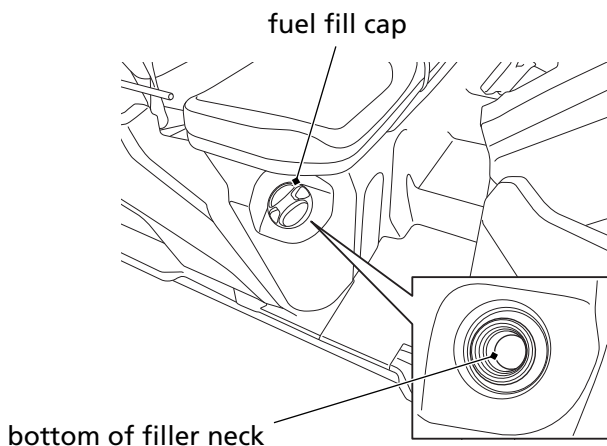
Fuel tank capacity:  
7.9 US gal (30 ℓ)

When there is only one segment left in the fuel gauge (page 33), fuel will be low and you should refuel as soon as possible.

## Refueling Procedure

Refer to *Safety Precautions* on page 137.

### RIGHT SIDE



1. Open the right side front door (page 62).
2. Turn the fuel fill cap counterclockwise.
3. Add fuel until the level reaches the bottom of the filler neck.  
Avoid overfilling the tank. There should be no fuel in the filler neck.

# Fuel

---

## **WARNING**

Gasoline is highly flammable and explosive. You can be burned or seriously injured when handling fuel.

- Stop the engine and keep heat, sparks and flames away.
- Only handle fuel outdoors.
- Wipe up spills immediately.

4. (Except AC, VI AC, VII AC type)

After refueling, turn the fuel fill cap clockwise securely and close the door.

(AC, VI AC, VII AC type)

After refueling, turn the fuel fill cap clockwise until it clicks and close the door.

If you replace the fuel fill cap, use a Honda Genuine replacement part or equivalent.

## **NOTICE**

*Gasoline can damage camouflage coating, painted, and matte painted surfaces.*

*Do not allow spilled gasoline to pool on camouflage, painted, and matte painted bodywork. Also, do not allow gasoline soaked rags to be placed on camouflage, painted, and matte painted bodywork.*

# Engine Oil & Filters

---

Engine oil quality is a major factor that affects both the performance and the service life of the engine.

Using the proper oil (page 164) and filter and regularly checking, adding, and changing oil will help extend your engine's life. Even the best oil wears out. Changing oil helps get rid of dirt and deposits in the engine. Operating the engine with old or dirty oil can damage your engine. Running the engine with insufficient oil can cause serious damage to the engine and transmission.

Change the engine oil as specified in the maintenance schedule on page 141. When running in very dusty conditions, oil changes should be performed more frequently than specified in the maintenance schedule.

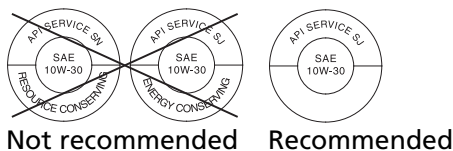
# Engine Oil & Filters

## Oil Recommendation

API classification	SJ or higher except oils labeled as energy conserving or resource conserving on the circular API service label
viscosity (weight)	SAE 10W-30
JASO T 903 standard	MA
suggested oil*	Pro Honda GN4 4-stroke oil (USA & Canada) or Honda 4-stroke oil, or an equivalent motorcycle oil.

\* Suggested oils are equal in performance to SJ oils that are not labeled as energy conserving or resource conserving on the circular API service label.

- Your Honda SXS does not need oil additives. Use the recommended oil.
- Do not use oils with graphite or molybdenum additives. They may adversely affect clutch operation.
- Do not use API SJ or higher oils displaying a circular API “energy conserving” or “resource conserving” service label on the container. They may affect lubrication and clutch performance.

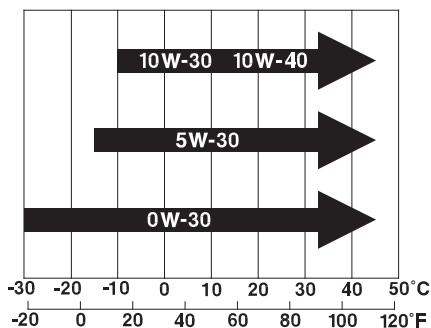


- Do not use non-detergent, vegetable, or castor based racing oils.

# Engine Oil & Filters

---

Other viscosities shown in the following chart may be used when the average temperature in your driving area is within the indicated range.

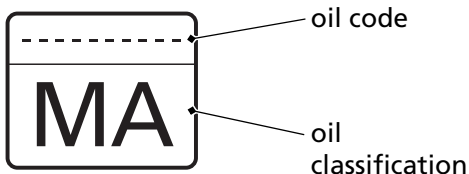


## JASO T 903 standard

The JASO T 903 standard is an index for engine oils for 4-stroke motorcycle engines.

There are two classes: MA and MB.

Oil conforming to the standard is labeled on the oil container. For example, the following label shows the MA classification.



# Engine Oil & Filters

## Checking & Adding Engine Oil

Refer to *Safety Precautions* on page 137.

Check the engine oil level each day before operating your Honda SXS and add, if needed.

1. Park your Honda SXS on a firm, level surface.
2. Start the engine in a well-ventilated area and let it idle for 3 – 5 minutes. Stop the engine and wait 2 – 3 minutes.

3. (SXS1000M3P/M3D)

The dipstick can be accessed by lifting the bed (page 93).

(SXS1000M5P/M5D)

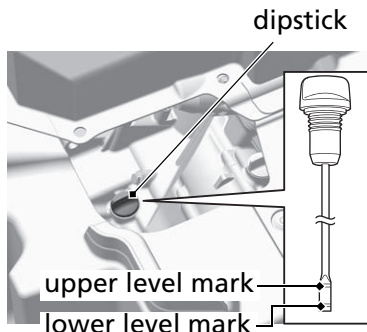
The dipstick can be accessed by opening the left rear door, then opening the rubber cover, and accessing it from the footwell.

4. Remove the dipstick and wipe it clean.
5. Insert the dipstick without screwing it in, then remove the dipstick and check the oil level. The oil level should be between the upper level mark and the lower level mark on the dipstick.

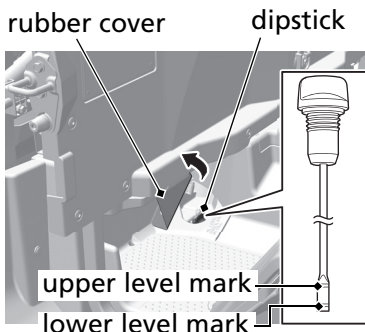
### UNDER CARGO BED

#### LEFT SIDE

##### (SXS1000M3P/M3D)



##### (SXS1000M5P/M5D)



# Engine Oil & Filters

6. If required, remove the rear mudguard lid (page 155) and oil fill cap, and then add the specified oil into the fill cap hole, up to the upper level mark on the dipstick. Do not overfill.
7. Reinstall the oil fill cap and dipstick, and then install the rear mudguard lid.
8. Lower the cargo bed.

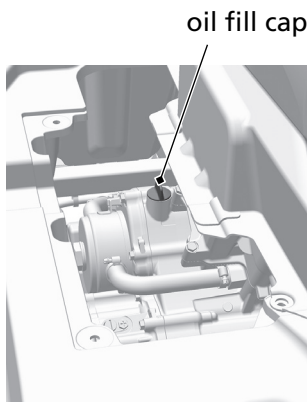
## NOTICE

*Running the engine with an improper oil level can cause serious engine damage.*

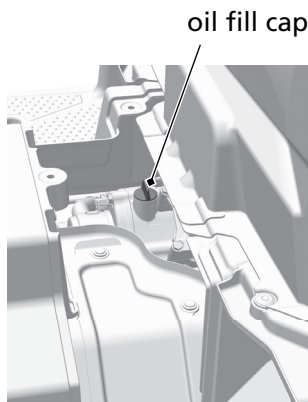
### UNDER CARGO BED

#### CENTER

(SXS1000M3P/M3D)



(SXS1000M5P/M5D)





# Engine Oil & Filters

---

## Changing Engine Oil & Filters

Refer to *Safety Precautions* on page 137.

Your Honda SXS's oil filter has very specific performance requirements. Use a new Honda Genuine oil filter specified for your model or a filter of equal quality.

### NOTICE

*Using the wrong oil filter may result in leaks or engine damage.*

This procedure requires mechanical skill and professional tools such as a torque wrench and access from underneath the vehicle, as well as the means for disposing of the drained fluid (page 245). If you do not have the skills or the tools, see your dealer.

This SXS1000 is equipped with two oil filters: an engine oil filter and a DCT (Dual Clutch Transmission) oil filter.

When changing the engine oil, also change the engine oil filter. Also change the DCT oil filter at every other engine oil change.

# Engine Oil & Filters

---

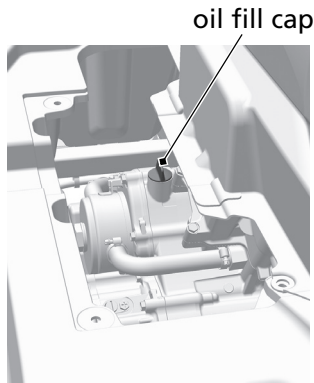
## *Drain the Engine Oil:*

1. Make sure the Honda SXS is parked on a firm, level surface. Shift the shift select lever into the park (P) position, and jack up and support your Honda SXS (page 159).
2. Lift the cargo bed (page 93).
3. Remove the rear mudguard lid (page 155).
4. Remove the oil fill cap.

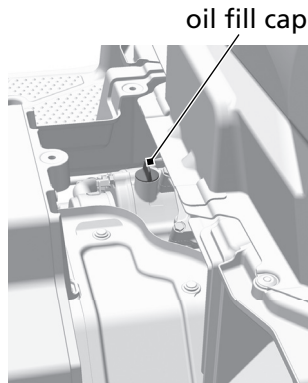
### **UNDER CARGO BED**

#### **CENTER**

**(SXS1000M3P/M3D)**



**(SXS1000M5P/M5D)**



(cont'd)

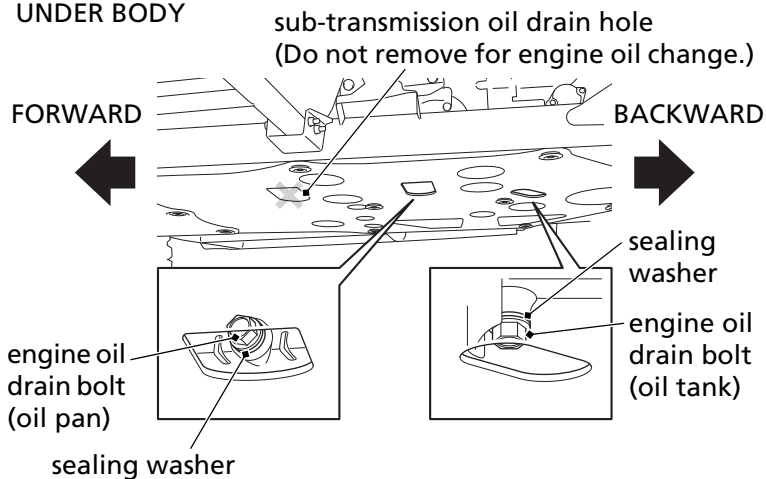
# Engine Oil & Filters

---

5. Place an oil drain pan under the crankcase.

6. Remove the engine oil drain bolts and sealing washers.

UNDER BODY



## NOTICE

*Be sure not to drain sub-transmission oil unless intending to do so. The engine and sub-transmission oils are not the connected.*

# Engine Oil & Filters

*Install a New Engine Oil Filter:*

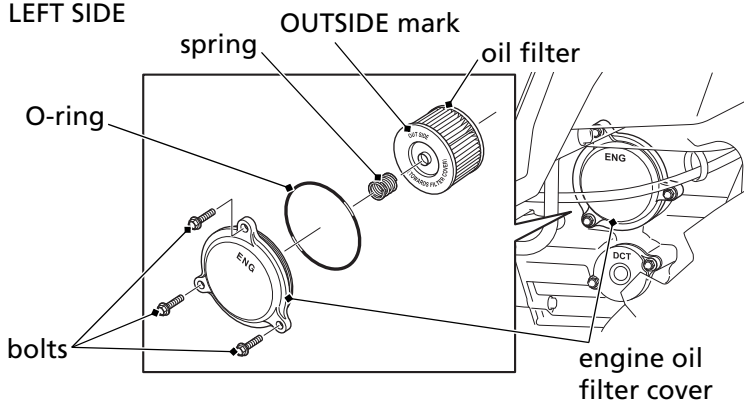
*Place shop towels under the oil filter cover because oil will flow out.*

7. Remove the engine oil filter cover (ENG marked) and O-ring by removing the bolts. Let the remaining oil drain out. Discard the oil filter in an approved manner (page 245).
8. Apply engine oil to a new O-ring and install it to the engine oil filter cover. Install a new oil filter.  
Use only the Honda Genuine oil filter or a filter of equivalent quality specified for your model. Using the wrong Honda filter, inserting a filter in backwards, using a filter with no OUTSIDE markings, or a non-Honda filter which is not of equivalent quality may cause engine damage.
9. Install a new filter with the OUTSIDE mark facing outward, reinstall the spring and engine oil filter cover making sure the bolts are tightened to the specified torques:  
**9 lbf-ft (12 N·m, 1.2 kgf·m)**

## NOTICE

*Improper installation of the oil filter can cause serious engine damage.*

LEFT SIDE



(cont'd)

## Engine Oil & Filters

---

10. Pour the drained oil into a suitable container and dispose of it in an approved manner (page 245).

### NOTICE

*Improper disposal of drained fluids is harmful to the environment.*

11. When changing the DCT oil filter, proceed to step 12 in *Install a New DCT Oil Filter* on the next page. If you are not changing the DCT oil filter, proceed to step 16 in *Add Engine Oil:* on page 175.

# Engine Oil & Filters

*Install a New DCT Oil Filter:*

*Place shop towels under the oil filter cover because oil will flow out.*

12. Remove the DCT oil filter cover (DCT marked) and O-ring by removing the bolts. Let the remaining oil drain out. Discard the oil filter in an approved manner (page 245).

13. Apply engine oil to a new O-ring and install it to the DCT oil filter cover. Install a new oil filter.

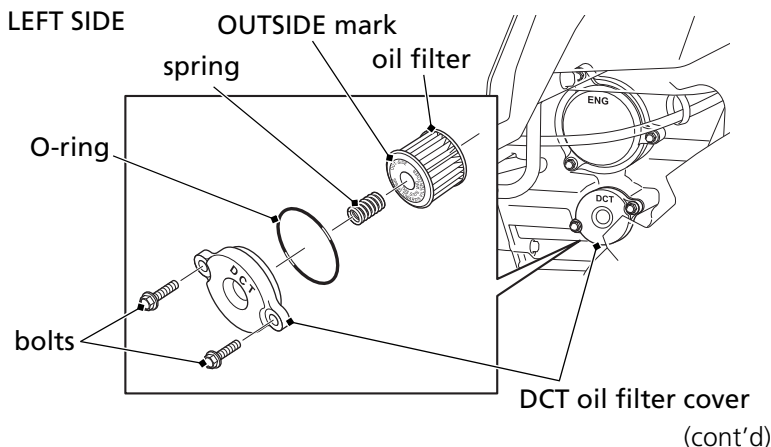
Use only the Honda Genuine oil filter or a filter of equivalent quality specified for your model. Using the wrong Honda filter, inserting a filter in backwards, using a filter with no OUTSIDE markings, or a non-Honda filter which is not of equivalent quality may cause engine damage.

14. Install a new filter with the OUTSIDE mark facing outward, reinstall the spring and DCT oil filter cover making sure the bolts are tightened to the specified torques:

**9 lbf·ft (12 N·m, 1.2 kgf·m)**

## NOTICE

*Improper installation of the oil filter can cause serious engine damage.*



## Engine Oil & Filters

---

15. Pour the drained oil into a suitable container and dispose of it in an approved manner (page 245).

### NOTICE

*Improper disposal of drained fluids is harmful to the environment.*

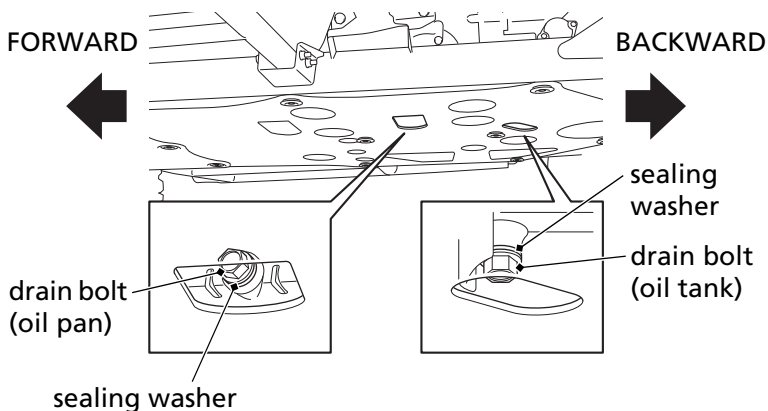
# Engine Oil & Filters

## Add Engine Oil:

16. Reinstall the drain bolts and sealing washers and tighten the bolts to the specified torques:  
**22 lbf·ft (30 N·m, 3.1 kgf·m)**
17. Lower your Honda SXS safely.
18. Fill the crankcase with the recommended oil, approximately:  
**engine oil filter change: 6.08 US qt (5.75 ℓ)**  
**engine & DCT oil filters change: 6.1 US qt (5.8 ℓ)**
19. Reinstall the oil fill cap and dipstick.
20. Start the engine and let it idle for 3 – 5 minutes.
21. Stop the engine and after 2 – 3 minutes, check the oil level. Make sure the oil is between the upper and lower level marks on the dipstick. If necessary, add more oil but do not overfill.
22. Reinstall the oil fill cap, dipstick and rear mudguard lid.
23. Lower the cargo bed.
24. Check that there are no oil leaks.

If a torque wrench is not used for installation, see your dealer as soon as possible to verify proper assembly.

## UNDER BODY





# Sub-Transmission Oil

---

## Oil Recommendation

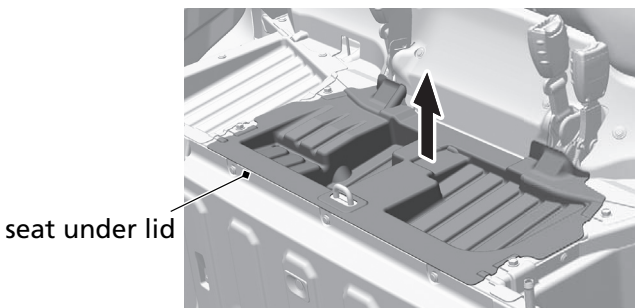
The recommended sub-transmission oil is the same as the engine oil (page 164).

## Checking & Adding Sub-Transmission Oil

Refer to *Safety Precautions* on page 137.

Check the sub-transmission oil level each day before operating your Honda SXS and add, if needed.

1. Park your Honda SXS on a firm, level surface.
2. Remove the front seat (page 153).
3. Remove the seat under lid.

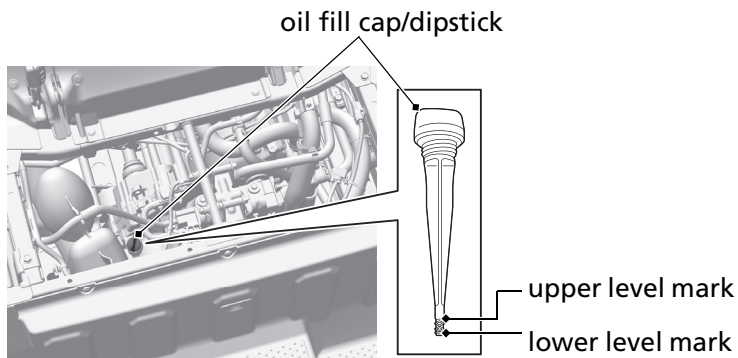


4. Remove the oil fill cap/dipstick from the transmission cover and wipe it clean.
5. Insert the dipstick without screwing it in, then remove the oil fill cap/dipstick and check the oil level. The oil level should be between the upper level mark and the lower level mark on the oil fill cap/dipstick.

# Sub-Transmission Oil

---

## UNDER SEAT CENTER



6. If the oil level is near or below the lower level mark, add the specified oil into the oil fill cap hole, fill to the upper level mark on the dipstick. Do not over fill.
7. Reinstall the oil fill cap/dipstick.
8. Install the seat under lid.
9. Install the front seat.

### NOTICE

*Running the engine with an improper oil level can cause serious engine damage.*

# Sub-Transmission Oil

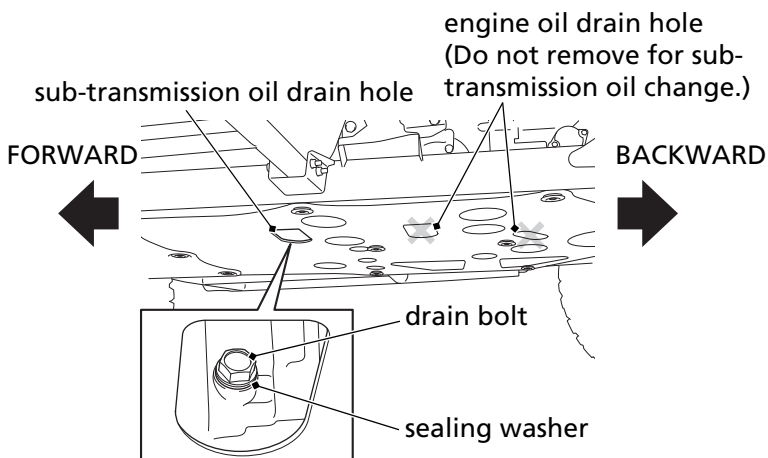
## Changing Sub-Transmission Oil

Refer to *Safety Precautions* on page 137.

This procedure requires mechanical skill and professional tools such as a torque wrench, and access from underneath the vehicle, as well as the means for disposing of the drained fluid (page 245). If you do not have the skills or the tools, see your dealer.

1. Make sure the Honda SXS is parked on a firm, level surface. Shift the shift select lever into the park (P) position, and jack up and support your Honda SXS (page 159).
2. Remove the front seat (page 153) and the seat under lid, then remove the oil fill cap/dipstick.
3. Place an oil drain pan under the sub-transmission case.
4. Remove the sub-transmission oil drain bolt and sealing washer.

### UNDER BODY



# Sub-Transmission Oil

---

Pour the drained oil into a suitable container and dispose of it in an approved manner (page 245).

5. Reinstall the drain bolt and sealing washer and tighten the bolt to the specified torque:  
**22 lbf·ft (29 N·m, 3.0 kgf·m)**
6. Lower your Honda SXS safely.
7. Fill the sub-transmission case with the recommended oil, approximately:  
**1.22 US qt (1.15 ℓ)**
8. Insert the dipstick without screwing it in, then remove the oil fill cap/dipstick and check the oil level. Make sure the oil is between the upper level mark and lower level mark on the dipstick. If necessary, add more oil but do not overfill.
9. Reinstall the oil fill cap/dipstick.
10. Reinstall the seat under lid and the front seat.
11. Check that there are no oil leaks.

If a torque wrench is not used for installation, see your dealer as soon as possible to verify proper assembly.

## NOTICE

*Improper disposal of drained fluids is harmful to the environment.*

# Front Final Gear Oil

## Oil Recommendation

API classification	GL-5
type	hypoid gear oil
viscosity (weight)	SAE 80W-90
suggested oil	Honda shaft drive oil or equivalent

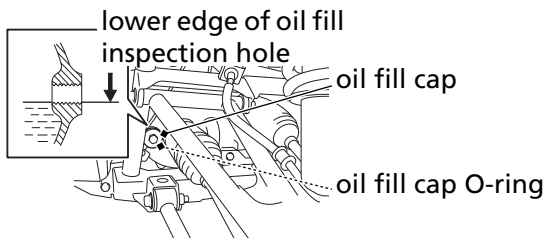
## Checking Oil

Refer to *Safety Precautions* on page 137.

Check the final gear oil level every 1,800 miles (3,000 km) or 300 hours of operating your Honda SXS and add, if needed.

1. Park your Honda SXS on a firm, level surface.
2. Remove the oil fill cap.
3. Make sure the oil level is at the lower edge of the oil fill inspection hole.
4. Apply a thin coat of grease to a new O-ring and insert it into the oil fill cap groove.
5. Install and tighten oil fill cap to the specified torque:  
9 lbf·ft (12 N·m, 1.2 kgf·m)

LEFT FRONT



# Front Final Gear Oil

## Changing Oil

Refer to *Safety Precautions* on page 137.

Change the oil with the front final gear at normal operating temperature to assure complete and rapid draining.

1. Park the Honda SXS on a firm, level surface.
2. Place an oil drain pan under the oil drain plug.
3. Remove the oil fill cap and the drain plug.
4. After the oil has completely drained, reinstall the drain plug with a new sealing washer and tighten it to the specified torque:

**9 lbf·ft (12 N·m, 1.2 kgf·m)**

5. Fill the front final gear with the recommended oil.

SXS1000M3P/M3D Deluxe/M5P/M5D Deluxe: 11.5 US oz (340 cm<sup>3</sup>)

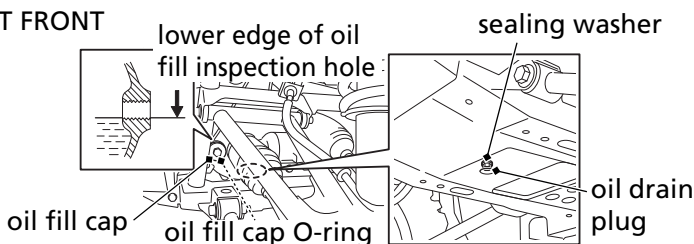
SXS1000M3D Trail/M3D Forest/M5D Trail/M5D Forest: 13.2 US oz (390 cm<sup>3</sup>)

6. Make sure the oil level is at the lower edge of the oil fill inspection hole.
7. Apply a thin coat of grease to a new O-ring and insert it into the oil fill cap groove.
8. Install and tighten oil fill cap to the specified torque:  
**9 lbf·ft (12 N·m, 1.2 kgf·m)**
9. Pour the drained oil into a suitable container and dispose of it in an approved manner (page 245).

### NOTICE

*Improper disposal of drained fluids is harmful to the environment.*

#### LEFT FRONT



# Rear Final Gear Oil

---

## Oil Recommendation

API classification	GL-5
type	hypoid gear oil
viscosity (weight)	SAE 80W-90
suggested oil	Honda shaft drive oil or equivalent

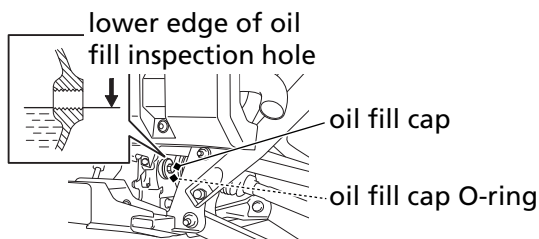
## Checking Oil

Refer to *Safety Precautions* on page 137.

Check the rear final gear oil level every 1,800 miles (3,000 km) or 300 hours of operating your Honda SXS, and add if needed.

1. Park your Honda SXS on a firm, level surface.
2. Remove the oil fill cap.
3. Make sure the oil level is at the lower edge of the oil fill inspection hole.
4. Apply a thin coat of grease to a new O-ring and insert it into the oil fill cap groove.
5. Install and tighten oil fill cap to the specified torque:  
9 lbf·ft (12 N·m, 1.2 kgf·m)

RIGHT REAR



# Rear Final Gear Oil

## Changing Oil

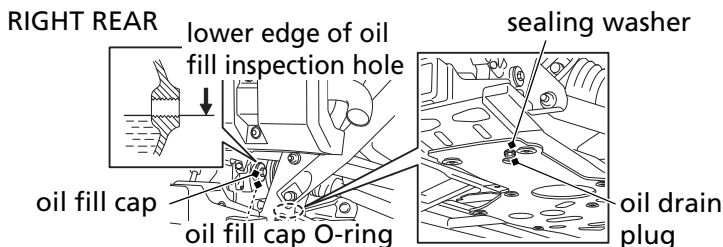
Refer to *Safety Precautions* on page 137.

Change the oil with the rear final gear at normal operating temperature to assure complete and rapid draining.

1. Park the Honda SXS on a firm, level surface.
2. Place an oil drain pan under the oil drain plug.
3. Remove the oil fill cap and the drain plug.
4. After the oil has completely drained, reinstall the drain plug with a new sealing washer and tighten it to the specified torque:  
**9 lbf·ft (12 N·m, 1.2 kgf·m)**
5. Fill the rear final gear with the recommended oil.  
SXS1000M3P/M3D Deluxe/M5P/M5D Deluxe: 15.9 US oz (470 cm<sup>3</sup>)  
SXS1000M3D Trail/M3D Forest/M5D Trail/M5D Forest: 18.6 US oz (550 cm<sup>3</sup>)
6. Make sure the oil level is at the lower edge of the oil fill inspection hole.
7. Apply a thin coat of grease to a new O-ring and insert it into the oil fill cap groove.
8. Install and tighten oil fill cap to the specified torque:  
**9 lbf·ft (12 N·m, 1.2 kgf·m)**
9. Pour the drained oil into a suitable container and dispose of it in an approved manner (page 245).

### NOTICE

*Improper disposal of drained fluids is harmful to the environment.*





# Coolant

---

Your Honda SXS's liquid cooling system dissipates engine heat through the coolant jacket that surrounds the cylinder and cylinder head.

Maintaining the coolant will allow the cooling system to work properly and prevent freezing, overheating, and corrosion.

## Coolant Recommendation

Use Pro Honda HP Coolant or an equivalent high-quality ethylene glycol antifreeze containing corrosion protection inhibitors specifically recommended for use in aluminum engines. Check the antifreeze container label.

Use only distilled water as a part of the coolant solution. Water that is high in mineral content or salt may be harmful to the aluminum engine.

### NOTICE

*Using coolant with silicate inhibitors may cause premature wear of water pump seals or blockage of radiator passages. Using tap water may cause engine damage.*

The factory provides a 50/50 solution of antifreeze and distilled water in this Honda SXS. This coolant solution is recommended for most operating temperatures and provides good corrosion protection.

Decreasing the concentration of antifreeze to less than 40% will not provide proper corrosion protection.

# Coolant

Increasing the concentration of antifreeze is not recommended because it decreases cooling system performance. Higher concentrations of antifreeze (up to 60%) should only be used to provide additional protection against freezing. Check the cooling system frequently during freezing weather.

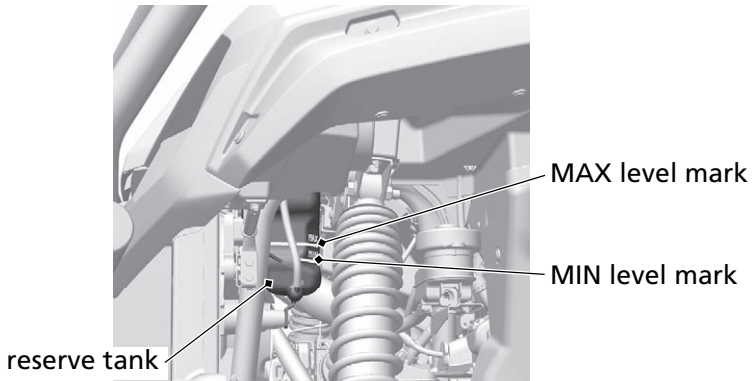
## Checking & Adding Coolant

Refer to *Safety Precautions* on page 137.

Check the engine coolant level every day before operating your Honda SXS and add, if needed.

1. Make sure the vehicle is parked on a firm, level surface.
2. With the engine at normal operating temperature, check the coolant level in the reserve tank. It should be between the MAX and MIN level marks.  
If the reserve tank is empty, or if coolant loss is excessive, check for leaks and see your dealer for repair.

### LEFT FRONT



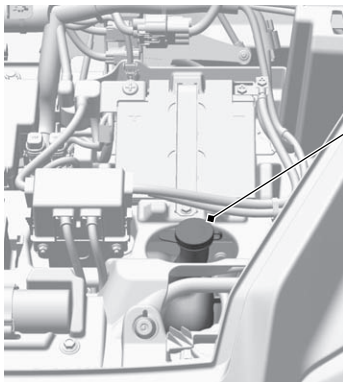
(cont'd)

# Coolant

---

3. Remove the front hood (page 151).
4. Remove the reserve tank cap.  
Always add coolant to the reserve tank. Do not attempt to add coolant by removing the radiator cap.

## UNDER FRONT HOOD LEFT FRONT



reserve tank cap

5. Add coolant to the reserve tank as required to bring the coolant level to the MAX level mark.
6. After adding coolant, install the reserve tank cap and install the front hood.

## Coolant Replacement

Refer to *Safety Precautions* on page 137.

Coolant should be replaced by your dealer, unless you have the proper tools and service data, and are mechanically qualified. Refer to the official Honda Service Manual.

### **WARNING**

Removing the radiator cap while the engine is hot can cause the coolant to spray out, seriously scalding you.

Always let the engine and radiator cool down before removing the radiator cap.

To properly dispose of drained coolant, refer to *You & the Environment*, page 245.

### **NOTICE**

*Improper disposal of drained fluids is harmful to the environment.*

# Air Cleaner

---

Refer to *Safety Precautions* on page 137.

This vehicle is equipped with a viscous type air cleaner which cannot be cleaned with compressed air or any chemicals without degrading its performance.

Service the air cleaner more frequently if you drive in unusually wet or dusty areas. Your dealer can help you determine the correct service interval for your driving conditions.

Your Honda SXS's air cleaner has very specific performance requirements. Use a new Honda Genuine air cleaner specified for your model or an air cleaner of equal quality.

## NOTICE

*Using the wrong air cleaner may result in premature engine wear.*

# Air Cleaner

## Replacing Air Cleaner

### NOTICE

*Clean the air cleaner housing cover prior to removal.*

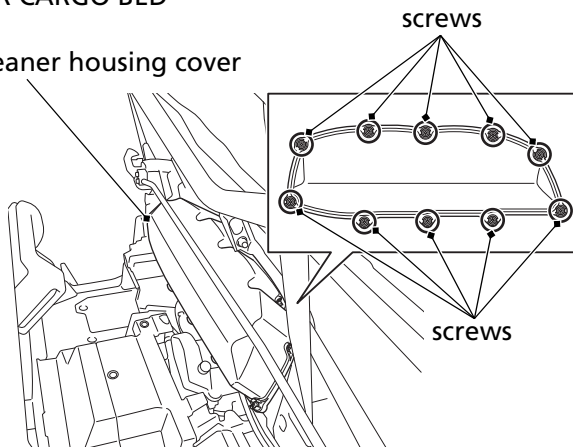
*Remove the air cleaner to the right side.*

*When removing the air cleaner, be careful not to allow foreign objects to drop into the air intake ducts.*

1. Lift the cargo bed (page 93).
2. Remove the air cleaner outer cover (page 154).
3. Clean the air cleaner housing cover and then remove it by removing the screws.

### UNDER CARGO BED

air cleaner housing cover

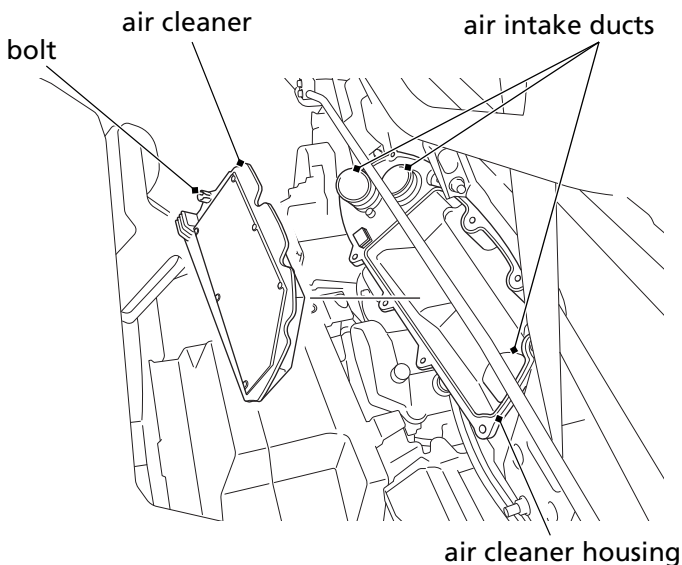


(cont'd)

# Air Cleaner

---

4. Pull the air cleaner out to the right side by removing the bolt. When removing the air cleaner, be careful not to allow foreign objects to drop into the air intake ducts.



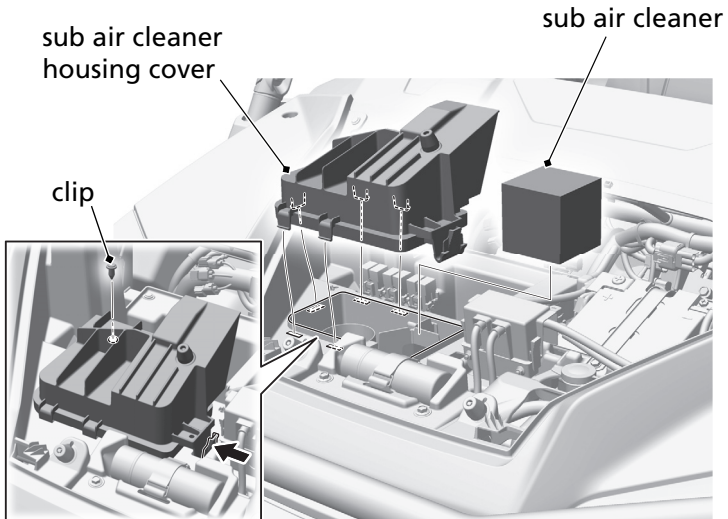
5. Insert a new air cleaner into the air cleaner housing. Make sure that the air cleaner is properly seated in the air cleaner housing.
6. Install the air cleaner housing cover and tighten the screws to the specified torque:  
**3.8 lbf·ft (5.2 N·m, 0.5 kgf·m)**
7. Install the air cleaner outer cover.
8. Lower the cargo bed.

# Air Cleaner

## Cleaning Sub Air Cleaner

1. Remove the front hood (page 151).
2. Remove the clip (page 158).
3. Remove the sub air cleaner housing cover.
4. Pull the sub air cleaner out.
5. If there is any dirt or foreign object attached to the sub air cleaner, clean it by tapping it. If it is damaged or deteriorated, see your dealer for replacement.
6. Install the sub air cleaner.
7. Install the sub air cleaner housing cover and clip.
8. Install the front hood.

### UNDER FRONT HOOD





# Lubrication

---

To keep moving parts functioning properly, coat them with a multipurpose grease (without Teflon or molybdenum additives, such as CRC 6-56 or equivalent).

Provide lubrication when moving parts do not work smoothly. Also lubricate according to the maintenance schedule (page 142).

Consult your dealer for more information about lubrication procedures.

Apply grease to each pivot to prevent corrosion. Check for smooth movement after lubrication. If the movement is not smooth after applying grease, see your dealer.

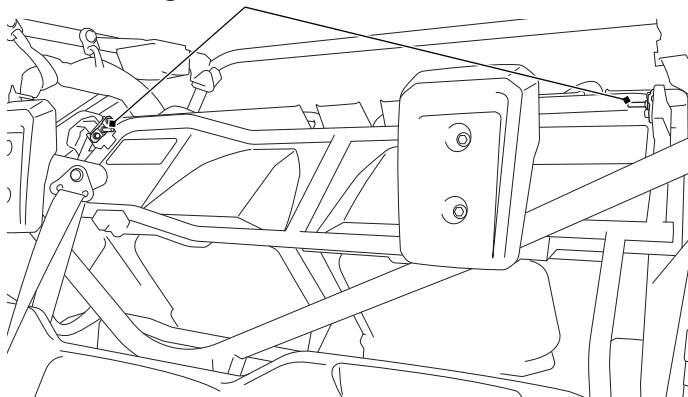
# Lubrication

## Lubrication Points

Lubricate the cargo bed strikers as shown in the following illustration.

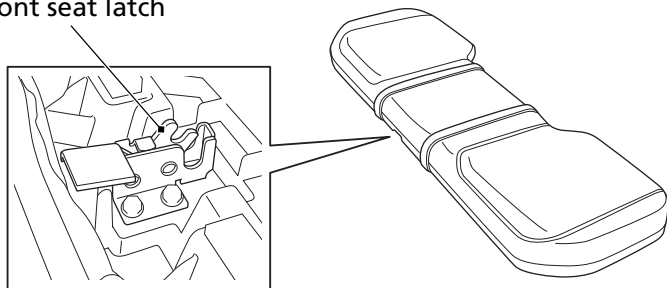
Lift the cargo bed (page 93).

cargo bed strikers



Lubricate the front seat latch as shown in the following illustration.  
Remove the front seat (page 153).

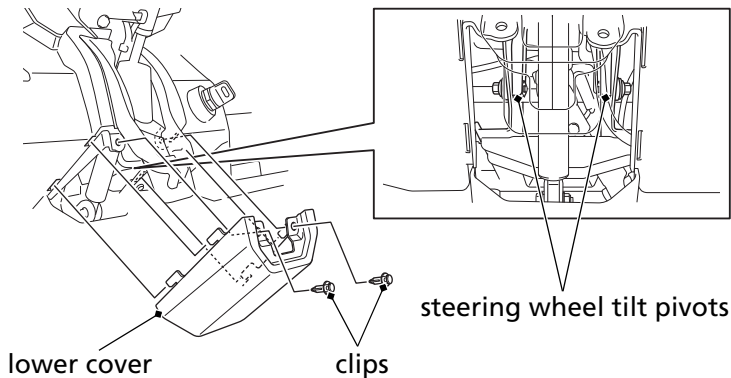
front seat latch



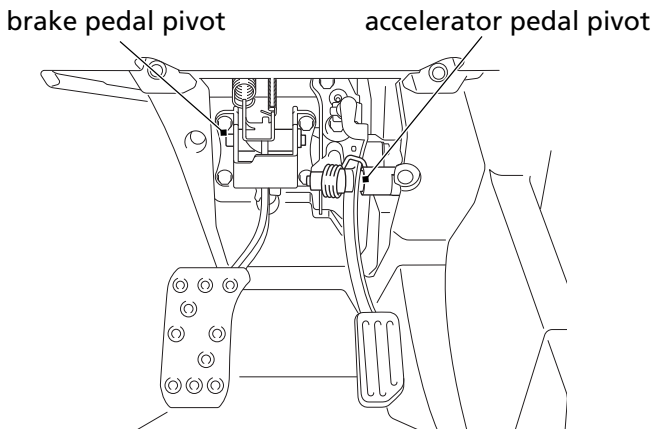
# Lubrication

---

Lubricate the steering wheel tilt pivots as shown in the following illustration. Remove the clips (page 158) and the lower cover.



Lubricate the brake pedal pivot and accelerator pedal pivot as shown in the following illustration.

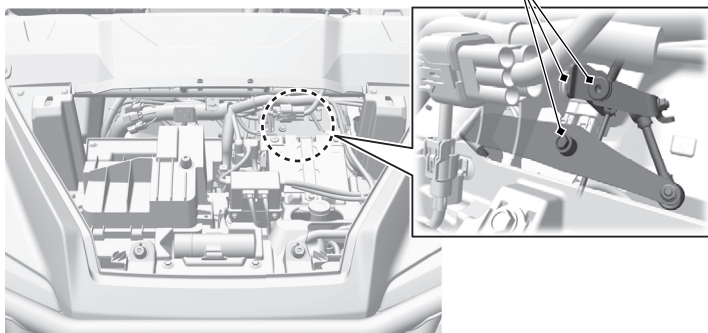


# Lubrication

Lubricate the shift select lever pivots as shown in the following illustration. Remove the front hood (page 151).

**UNDER FRONT HOOD**

shift select lever pivots

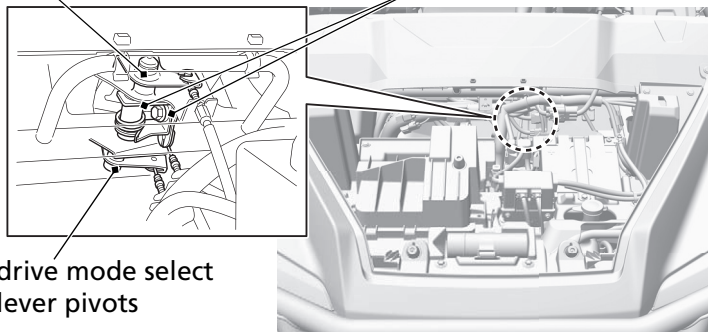


Lubricate the drive mode select lever pivots as shown in the following illustration. Remove the front hood (page 151).

**UNDER FRONT HOOD**

drive mode select lever pivots  
(SXS1000M3P/M3D Deluxe/M5P/  
M5D Deluxe only)

drive mode select lever  
pivots



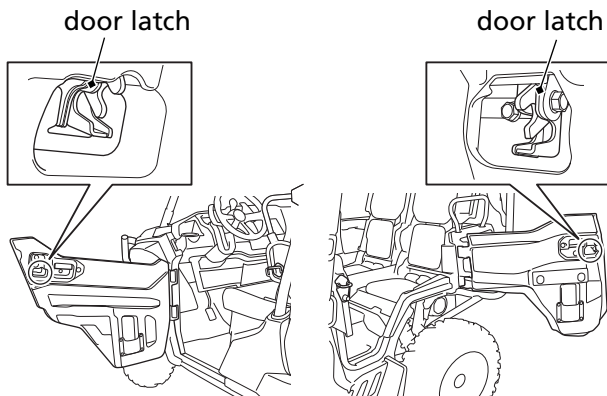
drive mode select  
lever pivots

# Lubrication

---

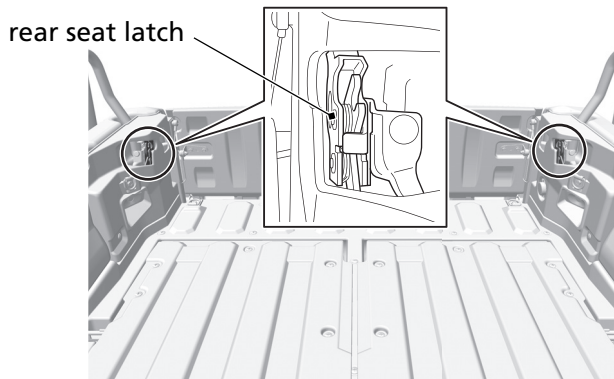
Lubricate the door latch as shown in the following illustration. Open the door (page 62).

(SXS1000M5P/M5D only)



Lubricate the rear seat latch as shown in the following illustration.

(SXS1000M5P/M5D only)



# Accelerator Pedal

## Accelerator Pedal Inspection

Refer to *Safety Precautions* on page 137.

Your Honda SXS is equipped with an accelerator pedal position sensor. When the openings of the accelerator pedal and throttle valve do not match, the PGM-FI Malfunction Indicator Lamp (MIL) comes on and limits the vehicle to a safe controllable speed.

If the accelerator pedal has excessive play due to cable stretch or incorrect adjustment, the openings of the accelerator pedal and throttle valve will not match.

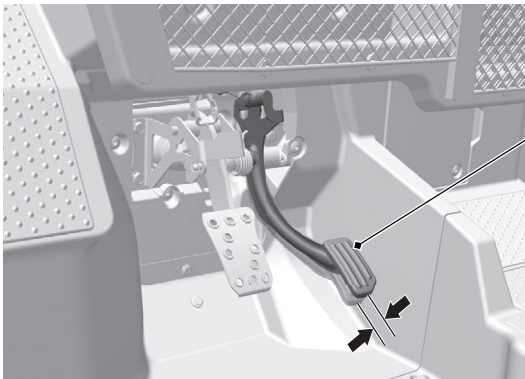
Check the accelerator pedal play periodically in accordance with the Periodic Maintenance Chart, and adjust the play if necessary.

### Inspection

Check the freeplay of the accelerator pedal.

Freeplay:

**3/16 – 3/8 in (5 – 10 mm)**



**3/16 – 3/8 in  
(5 – 10 mm)**

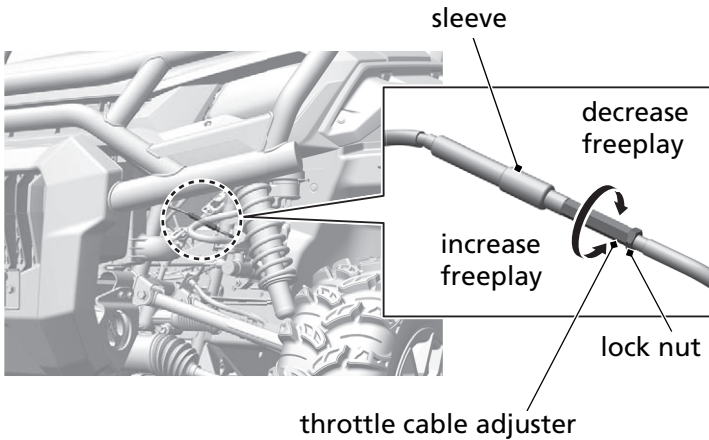
# Accelerator Pedal

---

## Adjustment

1. Slide the sleeve back to expose the throttle cable adjuster.
2. Loosen the lock nut.
3. Turn the adjuster to obtain the correct freeplay.
4. Tighten the lock nut and reinstall the sleeve.
5. After adjustment, check for smooth operation of the accelerator pedal.

## LEFT FRONT



# Spark Plugs

## Spark Plug Recommendation

standard spark plug	LMAR7M-9S (NGK)
---------------------	-----------------

Use only the recommended type of spark plug in the recommended heat range.

### NOTICE

*Using spark plugs with an improper heat range can cause engine damage.*

## Spark Plug Inspection & Replacement

Refer to *Safety Precautions* on page 137.

1. Lift the cargo bed (page 93).
2. Remove the air cleaner outer cover (page 154).
3. Clean any dirt from around the spark plug base.
4. Disconnect the spark plug caps. Take care to avoid damaging the spark plug wires when disconnecting the caps.
5. Using a spark plug wrench provided in the tool kit, remove the spark plugs.
6. Inspect the electrodes and center porcelain for deposits, corrosion, or carbon fouling. If the corrosion or deposits are heavy, replace the plug. Clean a carbon or wet-fouled plug with a plug cleaner, if available, or a wire brush. Inspect the spark plug electrodes for wear. The center electrode should have a flat tip and sharp edges, and the side electrode should not be eroded. If the electrodes and insulator tip appear unusually fouled or burned, we suggest that you contact your dealer.

(cont'd)

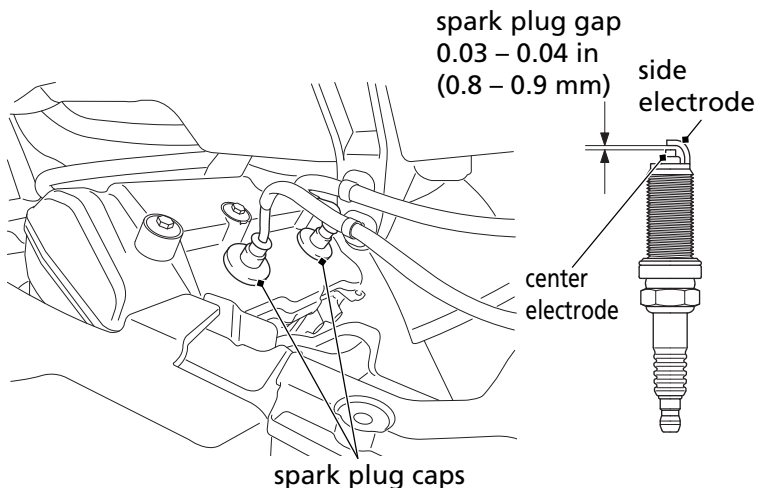


# Spark Plugs

---

7. Discard the spark plug if there is apparent wear or if the insulator is cracked or chipped.
8. Using a wire-type feeler gauge, check the spark plug gap. If adjustment is necessary, bend the side electrode carefully.  
The gap should be:  
**0.03 – 0.04 in (0.8 – 0.9 mm)**

## UNDER CARGO BED



# Spark Plugs

---

9. With the plug washer attached, thread the spark plug in by hand to prevent cross-threading.
10. Tighten the spark plug:
  - If the old plug is good:
    - 1/12 turn after it seats.
  - If installing a new plug, tighten it twice to prevent loosening:
    - a) First, tighten the plug:
      - 1/4 turn after it seats.
    - b) Then, loosen the plug.
    - c) Next, tighten the plug again:
      - 1/12 turn after it seats.

## NOTICE

*An improperly tightened spark plug can damage the engine. If a plug is too loose, the piston may be damaged. If a plug is too tight, the threads may be damaged.*

11. Connect the spark plug caps. Take care to avoid pinching any cables or wires.
12. Install the air cleaner outer cover.
13. Lower the cargo bed.

# Spark Arrester

---

Refer to *Safety Precautions* on page 137.

The spark arrester must be serviced every 600 miles (1,000 km) or 100 operating hours to maintain its efficiency.

(USA & Canada only)

Regular servicing prevents carbon build up (which can diminish engine performance) and also complies with USDA regulations for regular maintenance to assure proper function. The spark arrester prevents random sparks from the combustion process in your engine from reaching the environment.

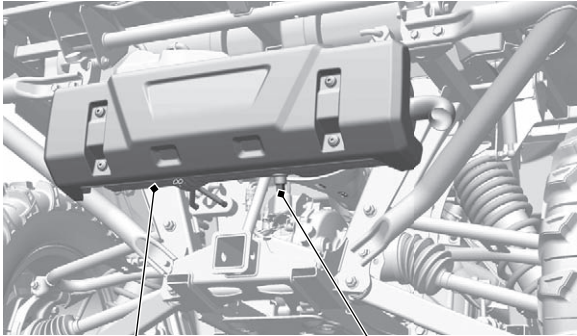
The use of safety glasses is recommended for this procedure.

Because of the possible fire hazard, check that there are no combustible materials in the area before purging the spark arrester.

# Spark Arrester

---

## REAR



muffler

bolt

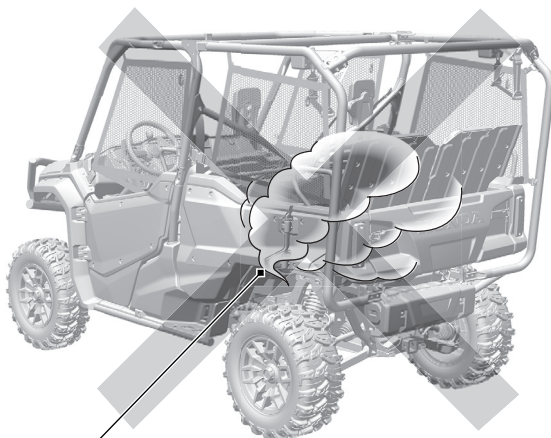
1. Select a well-ventilated area free of combustible materials and make sure the exhaust pipe is cool.
2. Remove the bolt.
3. Start the engine and rev it up approximately twenty times while momentarily creating exhaust system back pressure by blocking the end of the muffler with a shop towel.
4. Stop the engine and allow the exhaust pipe to cool.
5. Reinstall the bolt securely.

# Exhaust System

---

## Exhaust System Inspection

Stop the engine and check for any sign of exhaust gas leakage. Listen for exhaust leaks near the muffler, which is located by the left rear wheel well.



check for exhaust leakage

# Suspension

---

Your front and rear suspension systems use springs and hydraulic damping devices that suspend your weight and most of the weight of your Honda SXS.

The oil damper systems hydraulically control the natural compression and rebound of the suspension springs so that traction and comfort are maintained as the wheels ride over rough terrain.

The front and rear shock absorber assemblies include a damper unit that contains high pressure nitrogen gas. Do not attempt to disassemble, service, or dispose of the damper. See your dealer.

(SXS1000M3D Deluxe only)

The spring pre-loads for your rear suspension system adjust the amount of force required to begin compression of the spring.

Consider adjusting your suspensions pre-load whenever you change your normal load, by adding cargo or accessories, or when driving conditions change.

The way you drive your Honda SXS and the type of ride you want to experience can also influence your suspension needs.

Lower spring pre-load provides a softer ride and is usually preferred for light loads and smooth terrain. Higher spring pre-load provides a firmer ride and is recommended for heavy loads and rough terrain.

(SXS1000M3D Trail/M5D Trail only)

The way drive your Honda SXS and the type of ride you want to experience can also influence your suspension needs.

You may adjust the damping of the front and rear suspension systems.

(SXS1000M3D Forest/M5D Deluxe/M5D Forest only)

Your Honda SXS is equipped with an auto leveling rear suspension. When there is a weight of rear passengers or loads on the cargo bed, the rear shock absorber automatically extends while driving to level off the lowered rear of the vehicle. Manually adjusting the spring pre-load is not necessary.

# Suspension

---

## Rear Suspension Adjustment (SXS1000M3D Deluxe only)

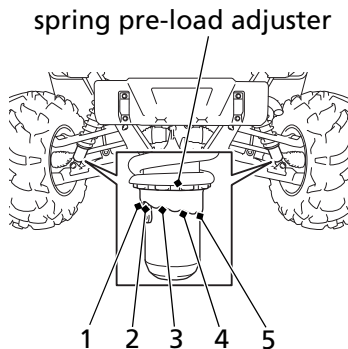
Using a pin spanner, which is available from your dealer, the rear suspension can be adjusted for carrying heavier cargo.

Do not attempt to disassemble, service, or dispose of the damper; see your dealer. The instructions found in this owner's manual are limited to adjustments of the shock assembly only.

## Rear Suspension Spring Pre-Load (SXS1000M3D Deluxe only)

Refer to *Safety Precautions* on page 137.

REAR



The spring pre-load adjuster has 5 positions for different loads or driving conditions. Before adjusting the spring pre-load, jack up your Honda SXS (page 159) to avoid damaging the adjusters.

Use the pin spanner to adjust the shock spring pre-load.  
Pin spanner part number: 07702-0020001  
Available through your dealer.

# Suspension

---

Position 1: for a light load and smooth terrain.

Position 2: standard position.

Positions 3 to 5: for when the SXS is more heavily loaded. (Also increase spring pre-load for stiffer suspension.)

Make sure that both shock absorbers are adjusted to the same position.

Always adjust the shock absorber position in sequence (1-2-3-4-5 or 5-4-3-2-1). Attempting to adjust directly from 1 to 5 or 5 to 1 may damage the shock absorber.

## **Auto Leveling Rear Suspension (SXS1000M3D Forest/M5D Deluxe/M5D Forest only)**

Auto leveling rear suspension is a rear shock absorber equipped with a mechanism that controls the level of the lowered rear body, depending on the weight of rear passengers or loads on the cargo bed.



# Suspension

---

## Front Suspension Adjustment (SXS1000M3D Trail/M5D Trail only)

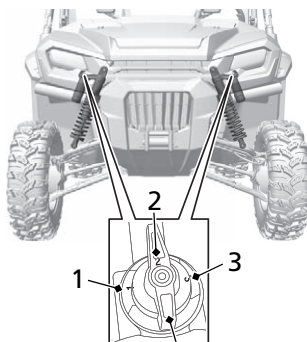
The front suspension can be adjusted for the driver, passengers, and driving conditions by changing the damping.

Do not attempt to disassemble, service, or dispose of the damper. See your dealer. The instructions found in this owner's manual are limited to adjustments of the shock assemblies.

## Front Suspension Damping (SXS1000M3D Trail/M5D Trail only)

Refer to *Safety Precautions* on page 137.

FRONT



damping adjuster

The damping adjuster has 3 positions for different loads or driving conditions.

Position 1: use in low payload conditions at low speeds.

Position 2: standard position.

Positions 3: use in high payload conditions such as 5 passenger loading, and/or at higher speeds.

Make sure that both shock absorbers are adjusted to the same position.

# Suspension

## Rear Suspension Adjustment (SXS1000M3D Trail/M5D Trail only)

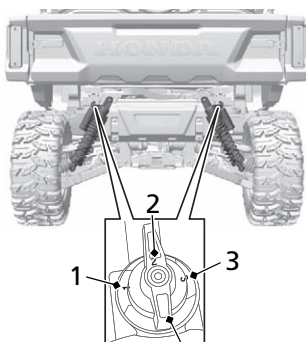
The rear suspension can be adjusted for rear passengers and carrying heavier cargo by changing the damping.

Do not attempt to disassemble, service, or dispose of the damper; see your dealer. The instructions found in this owner's manual are limited to adjustments of the shock assemblies.

## Rear Suspension Damping (SXS1000M3D Trail/M5D Trail only)

Refer to *Safety Precautions* on page 137.

REAR



damping adjuster

The damping adjuster has 3 positions for different loads or driving conditions.

Position 1: use in low payload conditions at low speeds.

Position 2: standard position.

Positions 3: use in high payload conditions such as 5 passenger loading, and/or at higher speeds.

Make sure that both shock absorbers are adjusted to the same position.

# Brakes

---

The hydraulic disc braking system on your Honda SXS dissipates the heat generated by the friction of the brake pads on the disc as the wheels are slowed.

As the front and rear brake pads wear, the brake fluid level will drop. A leak in the system will also cause the level to drop.

There are no adjustments to perform, but fluid level and pad wear must be inspected periodically. The system must also be inspected frequently to ensure there are no fluid leaks.

If the brake pedal freeplay seems abnormal or the pedal feels spongy, see your dealer to have the air bled from the system.

## Brake Operation Check

Refer to *Safety Precautions* on page 137.

Push down on the brake pedal to check that the controls operate normally.

Check for damage to the brake pads and disc plate.

## Brake Fluid Recommendation

brake fluid	Honda DOT 4 Brake Fluid
-------------	-------------------------

The recommended brake fluid is Honda DOT 4 Brake Fluid, or any brake fluid of equal quality and performance. Use fresh brake fluid from a sealed container. Be sure to read the label before opening the sealed container. An opened container may be contaminated or may have absorbed moisture from the air.

## Fluid Level Inspection

Refer to *Safety Precautions* on page 137.

### Brake Fluid Level

If your inspection indicates a low fluid level, have your dealer inspect the brake system for possible leaks or worn brake pads.

The brake fluid level will drop as the brake pads wear.

Do not add or replace brake fluid, except in an emergency. If you do add fluid, have your dealer check the system as soon as possible.

### NOTICE

*Brake fluid can damage plastic and painted surfaces. Handle with care.*

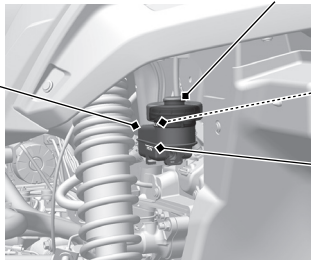
Check the fluid level on level ground.

1. Slide the brake fluid reservoir tank cap cover up a little to reveal the MAX level mark. Do not remove the brake fluid reservoir tank cap cover.

LEFT FRONT

brake fluid reservoir tank cap cover

brake fluid  
reservoir tank



MAX level mark

MIN level mark

It should be between the MIN and MAX level marks. If the level is at or below the MIN level mark, check the brake pads for wear (page 213).

(cont'd)

# Brakes

---

2. Return the brake fluid reservoir tank cap cover to its normal position.

Worn brake pads should be replaced. If the pads are not worn, have your brake system inspected for leaks.

Wipe up spills immediately. Avoid contact with skin or eyes.

If brake fluid comes in contact with your eyes, wash them out with clean water and immediately call a doctor.

If brake fluid comes in contact with your skin, wash with clean water and, if necessary, call a doctor.

## Other Inspections

- Make sure there are no fluid leaks.
- Check for deterioration or cracks in the hoses and fittings. If the hoses are worn or cracked, have them replaced by your dealer.

## Brake Pad Wear

Refer to *Safety Precautions* on page 137.

Brake pad wear will depend upon the severity of usage and driving conditions. The pads will wear faster in wet, sandy, or muddy conditions.

Inspect the pads during all regular service intervals to determine the pad wear.

Note that the pads are designed to make a metallic noise during braking when they reach the wear limit.

If you hear a continuous metallic friction sound when applying the brakes, the brake pads need to be replaced. Have the vehicle checked by a dealer.

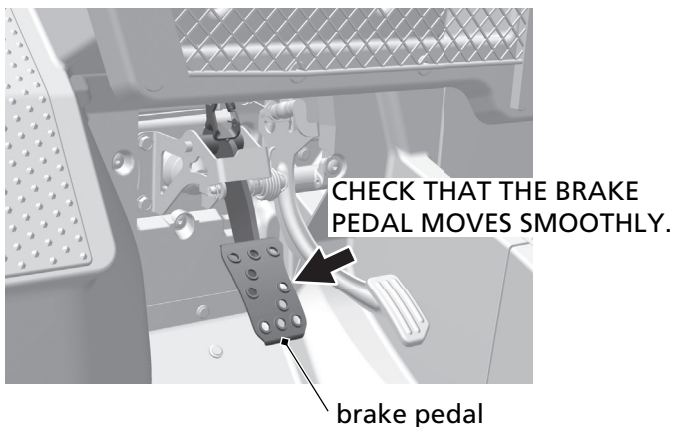
# Brakes

---

## Brake Pedal Inspection

Refer to *Safety Precautions* on page 137.

Check that the brake pedal moves smoothly and does not feel abnormally spongy. Refer to the maintenance schedule (page 141).



## Brake Light Switch Adjustment

Refer to *Safety Precautions* on page 137.

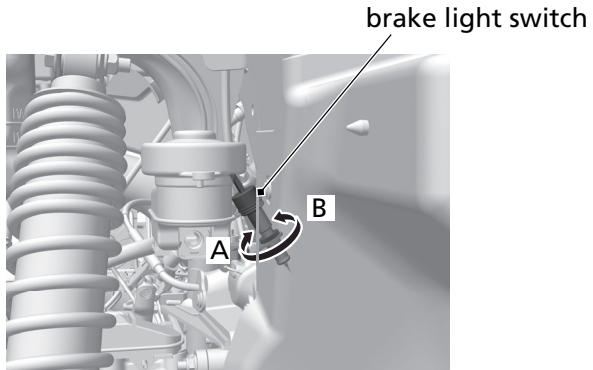
Periodically check the operation of the brake light switch. It is located near the brake fluid reservoir.

The brake light should turn on just before the brake works.

Adjustment is done by holding the switch body and turning the adjusting nut.

Turn the nut in direction (A) if the switch operates too late, and in direction (B) if the switch operates too soon.

### LEFT FRONT





# Tires

---

To safely operate your Honda SXS, your tires must be the proper type and size, in good condition with adequate tread, and correctly inflated.

## **WARNING**

Using tires that are excessively worn, improperly inflated, damaged, or overloaded can cause a crash in which you can be seriously hurt or killed.

Follow all instructions in this owner's manual regarding tire inflation and maintenance.

The following pages give detailed information on how and when to check your air pressure, how to inspect your tires for wear and damage, and our recommendations for tire repair and replacement.

## Air Pressure

Refer to *Safety Precautions* on page 137.

Properly inflated tires provide the best combination of handling, tread life, and driving comfort. Generally, underinflated tires wear unevenly, adversely affect handling, and are more likely to fail from being overheated. Overinflated tires make your Honda SXS drive harshly, are more prone to damage from surface hazards, and wear unevenly.

Make sure the valve stem caps are secure. If necessary, install new caps.

# Tires

---

Always check air pressure when your tires are “cold.” If you check air pressure when your tires are “warm” — even if your Honda SXS has only been driven for a few miles — the readings will be higher. If you let air out of warm tires to match the recommended cold tire pressures, the tires will be underinflated. Be sure to check tire pressure at the driving site, since changes in altitude can affect air pressure.

The recommended “cold” tire pressures are:

RECOMMENDED PRESSURE	
FRONT	(SXS1000M3P/M3D) 18 psi (120 kPa) (SXS1000M5P/M5D) 20 psi (140 kPa)
REAR	(SXS1000M3P/M3D) 18 psi (120 kPa) (SXS1000M5P/M5D) 20 psi (140 kPa)

A manually operated tire pump should be used rather than the high pressure system found in service stations. This will minimize the possibility of tire damage from overinflation. If you use a high pressure system at a service station, add air in small amounts and check the pressure increase frequently to prevent possible tire damage from overinflation.

## **WARNING**

Operating this Honda SXS with improper tires, uneven tire pressure, damaged tires, or overloading the tires may cause loss of control, and you could be seriously injured or killed.

- Always use the size and type of tires specified in this owner's manual for this vehicle.
- Always maintain proper tire pressure as described in this owner's manual.

## **Inspection**

Refer to *Safety Precautions* on page 137.

Whenever you check the tire pressures, you should also look for:

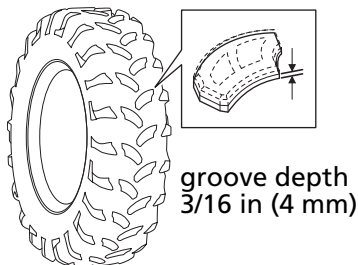
- Bumps or bulges in the side of the tire or the tread. Replace any tire that has a bump or bulge.
- Cuts, slits, or cracks in the tires. Replace the tire if you can see fabric or cord.
- Nails or other foreign objects embedded in the side of the tire or tread.
- Excessive tread wear.

# Tires

---

Also, if you hit a hard object while driving, stop as soon as you safely can and carefully inspect the tires for damage.

## Tread Wear



To check the condition of a tire tread, measure the groove depth in the center of the tire, or check the wear indicator. For best performance, you should replace a tire before the tread depth at the center reaches the following limits:

front	3/16 in (4 mm)
rear	3/16 in (4 mm)

## Tire Repair

Refer to *Safety Precautions* on page 137.

We strongly recommend that you replace, not repair, any tire that is punctured or damaged. As discussed below, a tire that is repaired, either temporarily or permanently, will have lower speed and performance limits than a new or undamaged tire.

A temporary repair can sometimes be made in an emergency situation. However, since a temporary repair may not hold, you must drive very slowly, preferably without any cargo, and have the tire replaced or permanently repaired as soon as possible. (For more information on temporary repairs, see *If You Have a Flat Tire*, page 258.)

A permanent repair, such as an internal plug patch, can be made if a tire has only a small puncture in the tread area. With such a repair, you should drive very slowly for the first 24 hours. However you may not be able to safely carry as much weight. If you choose to have a tire repaired, be sure the repair work is performed by a professional.

If you have a tire professionally repaired at a non-Honda facility, we recommend that you have the work checked by your Honda dealer.

# Tires

---

## Tire Replacement

Refer to *Safety Precautions* on page 137.

The tires that came on your Honda SXS were designed to match the performance capabilities of the vehicle and provide the best combination of handling, braking, and comfort.

It is best to replace all four tires. However, if that is not possible, you must replace the tires in pairs (front or rear) with tires of the same size and type as the originals. Never replace just one tire.

### **WARNING**

Installing improper tires on your Honda SXS can affect handling and stability. This can cause a crash in which you can be seriously hurt or killed.

Always use the size and type of tires recommended in this owner's manual.

# Tires

---

The recommended tires for your Honda SXS are:

front	27X9.00R14 NHS ARMSTRONG DIRT MASTER
rear	27X11.00R14 NHS ARMSTRONG DIRT MASTER

When you replace a tire, remember:

Have the tire replaced by your Honda dealer, if possible.

If you have a tire professionally replaced at a non-Honda facility, we recommend that you have the work checked by your Honda dealer.



# Wheels

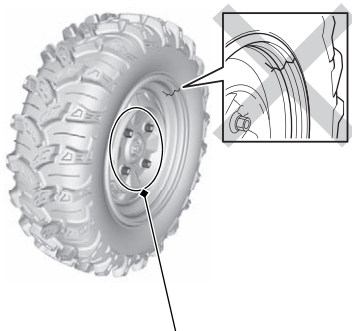
---

## Inspection

Check that the wheel nuts are tight and there are no cracks or deformation in the wheel.

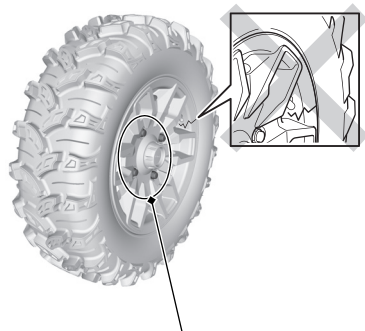
**CHECK FOR CRACKS  
OR DEFORMATION.**

**SXS1000M3P/M5P  
(Steel wheel model)**



**CHECK THAT THE WHEEL  
NUTS ARE TIGHT**

**SXS1000M3D/M5D  
(Aluminum wheel model)**



**CHECK THAT THE WHEEL  
NUTS ARE TIGHT**

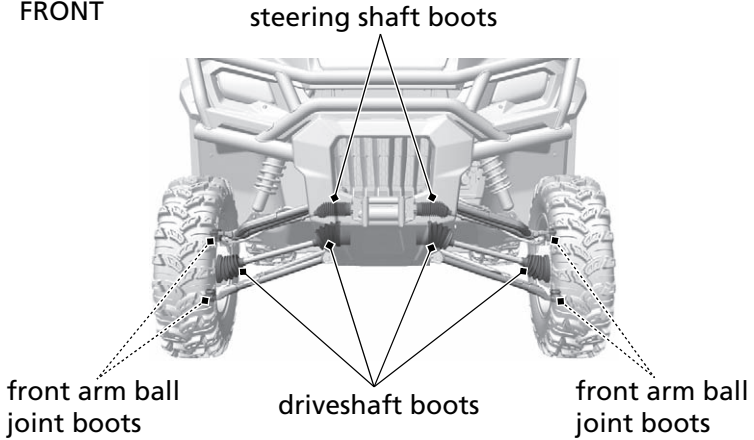
# Driveshaft Boots

Refer to *Safety Precautions* on page 137.

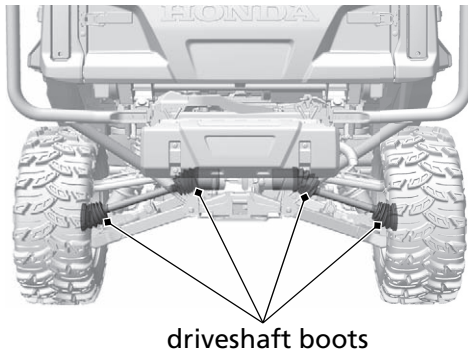
Check the rubber boots for tears or traces of splattered grease. If necessary, have your dealer replace them.

SXS1000M5D Forest shown

FRONT



REAR



# Battery

---

Your Honda SXS has a maintenance-free type battery. You do not have to check the battery electrolyte level or add distilled water as you would with a conventional-type battery.

## NOTICE

*Your battery is a maintenance-free type and can be permanently damaged if the cap strip is removed.*

Electrical accessories use current from the battery, some even when the ignition is OFF (O). Limited operation of your Honda SXS also allows the battery to discharge. If you have electrical accessories on your Honda SXS, or do not drive frequently, we recommend that you charge the battery frequently (see *Battery Charging*, page 230).

If you do not expect to drive your Honda SXS for at least two weeks, we recommend you remove the battery, or at least disconnect the battery cables (negative cable first).

If you plan to store your Honda SXS, see *Battery Storage*, page 227.

If your battery seems weak and/or is leaking electrolyte (causing slow starting or other electrical problems), see your dealer.

**WARNING:** Battery posts, terminals and related accessories contain lead and lead compounds. **Wash your hands after handling.**

## Battery Storage

Refer to *Safety Precautions* on page 137.

If you plan to store your Honda SXS, we recommend you remove the battery and store it where it can be charged every 30 days to maintain its service life.

If you do not remove the battery, we recommend disconnecting the battery cables (negative cable first).

Check the terminals for corrosion (a white or yellowish powder). To remove it, cover the terminals with a solution of baking soda and water. It will bubble up and turn brown. When this stops, wash it off with plain water. Dry off the battery with a cloth or paper towel.

You will get the best storage results from removing the battery and slow charging it every 30 days (see *Battery Charging*, page 230). Before you remove the battery, be sure to read all the information that follows, as well as the information on the battery label.

### **WARNING**

The battery gives off explosive hydrogen gas during normal operation.

A spark or flame can cause the battery to explode with enough force to kill or seriously hurt you.

Wear protective clothing and a face shield, or have a skilled mechanic do the battery maintenance.

# Battery

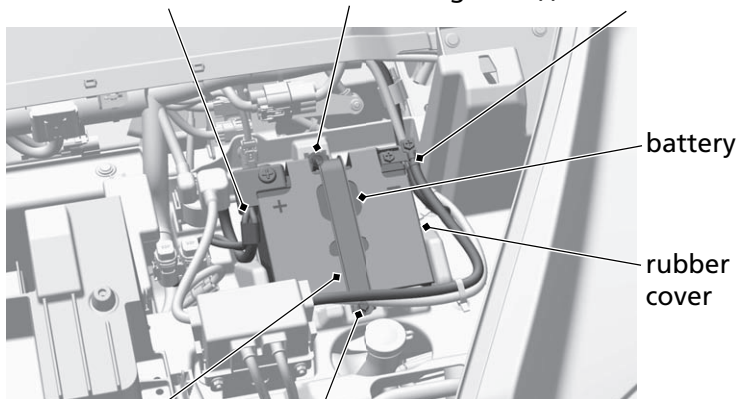
---

The battery is located under the front hood.

## Removal

1. Make sure the ignition switch is OFF (O).
2. Remove the front hood (page 151).
3. Remove the battery holder by removing the bolts. Then, remove the rubber cover.
4. Disconnect the negative (-) terminal lead from the battery first, then disconnect the positive (+) terminal lead.
5. Remove the battery from the battery box.
6. Charge the battery (see the following section), unless you have been driving regularly.
7. Store your battery in an easy-to-reach location off the floor, in an area protected from freezing temperature and direct sunlight.
8. Clean the battery box after removing the battery for storage. Dry the battery box.
9. Slow charge the battery (see following section) once every 30 days.

positive (+) terminal lead    bolt    negative (-) terminal lead



battery holder    bolt

# Battery

---

## Installation

Reinstall in the reverse order of removal.

Be sure to connect the positive (+) terminal first, then the negative (-) terminal.

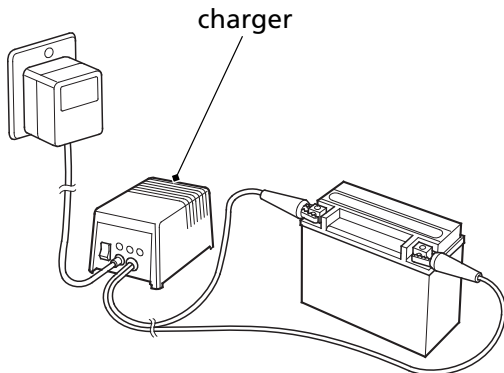
Make sure the clock is set to the proper time after the battery is reconnected (page 40).

# Battery

---

## Battery Charging

Refer to *Safety Precautions* on page 137.



Be sure to read the information that came with your battery charger and follow the instructions on the battery. Improper charging may damage the battery.

We recommend using a charger designed specifically for your Honda, which can be purchased from your dealer. These units can be left connected for long periods without risking damage to the battery. However, do not intentionally leave the charger connected longer than the time period recommended in the charger's instructions.

Avoid using an automotive-type battery charger. An automotive charger can overheat a Honda SXS battery and cause premature damage.

# Appearance Care

---

Frequent cleaning and polishing will keep your Honda looking newer longer.

Frequent cleaning also identifies you as an owner who values their Honda SXS. A clean Honda SXS is also easier to inspect and service.

## General Recommendations

Refer to *Safety Precautions* on page 137.

- To clean your Honda SXS, you may use:
  - water
  - Hondabrite
  - a mild, neutral detergent and water
  - a mild spray and wipe cleaner/polisherFor matte painted surfaces, use a spray cleaner. Avoid using a spray cleaner/polish.
- a mild spray and rinse cleaner/degreaser and water
- Avoid products that contain harsh detergents or chemical solvents that could damage the metal, paint, plastic, and camouflage coating on your Honda SXS.
- If your Honda SXS is still warm from recent operation, give the engine and exhaust system time to cool off.
- Park in a shady area. Washing your Honda SXS in bright sunlight may cause the finish to fade because water droplets intensify the sun's brightness. Spotting is also more likely because surface water can dry before you have time to wipe it off.
- Clean your Honda SXS regularly to protect surface finishes.
- We recommend the use of a low pressure garden hose to wash your Honda SXS. High pressure washers (like those at coin-operated car washers) can damage certain parts of your Honda SXS.

## NOTICE

*High pressure water (or air) can damage certain parts of your Honda SXS.*



# Appearance Care

---

- After cleaning, inspect for damage, wear, and leaks (fuel, oil, coolant, and brake fluid).

## Washing Your Honda SXS with a Mild Detergent

Refer to *Safety Precautions* on page 137.

1. Rinse your Honda SXS thoroughly with cool water to remove loose dirt.
2. Fill a bucket with cool water. Mix in a mild, neutral detergent, such as dish washing liquid or a product made especially for washing motorcycles or automobiles.
3. Wash your Honda SXS with a sponge or soft towel. As you wash, check for heavy grime. If necessary, use a mild cleaner/degreaser to remove the grime.
4. After washing, rinse your Honda SXS thoroughly with plenty of clean water to remove any residue. Detergent residue can corrode alloy parts.
5. Dry your Honda SXS with a chamois or a soft towel. Leaving water on the surface to air dry can cause dulling and water spots. As you dry, inspect for chips and scratches.
6. Start the engine and let it idle for several minutes. The engine heat will help dry moist areas.
7. As a precaution, drive your Honda SXS at a slow speed and apply the brakes several times. This will help dry the brakes and restore normal braking performance.

# Appearance Care

---

The headlights' inside lens may fog temporarily after washing or while driving in the rain. This does not impact the headlight function.

Any condensation inside the headlight should dissipate after a few minutes of running the engine with the headlight(s) on. However, if you see a large amount of water or ice accumulated inside the lens(es), have your vehicle inspected by your dealer.

# Appearance Care

---

## Spray Cleaning Your Honda SXS

Refer to *Safety Precautions* on page 137.

Avoid using spray cleaner products on the tires or suspension components.

Suggestions for using spray cleaners:

<b>Honda SXS condition</b>	<b>Recommended Cleaning</b>
Dust and fingerprint smudges.	Apply a spray cleaner/polish* and wipe paint, chrome, glass, and clear plastic.
Light road grime.	Spray any difficult-to-reach or very dirty areas with a spray cleaner/degreaser. Rinse and dry. Apply a spray cleaner/polish* and wipe with a non-abrasive cloth.
Heavy grime. Oil leaks. Brake dust.	Use a spray cleaner/degreaser. If necessary, rub with a sponge. Rinse and dry. Apply a spray cleaner/polish* and wipe with a non-abrasive cloth.
Dull, corroded chrome or aluminum.	Apply a high quality chrome/aluminum polish and wipe with a non-abrasive cloth.

\* For matte painted surfaces, use a spray cleaner. Avoid using a spray cleaner/polish.

# Appearance Care

---

## **Aluminum Wheel Maintenance (SXS1000M3D/M5D [Aluminum wheel model])**

Refer to *Safety Precautions* on page 137.

Aluminum may corrode from contact with dirt, mud, or road salt. Clean the wheels after driving through any of these substances. Use a wet sponge and mild detergent. Avoid stiff brushes, steel wool, or cleaners containing abrasives or chemical compounds.

After washing, rinse with plenty of water and dry with a clean cloth. Then apply a mild, commercially available spray cleaner/polish or wax.

For stained or dull-looking wheels, use a quality chrome/aluminum polish to restore the finish.

## **Exhaust Pipe and Muffler Maintenance**

Refer to *Safety Precautions* on page 137.

The exhaust pipe and muffler are stainless steel but may become stained by mud or dust. Make sure no flammable materials or debris are sticking to the exhaust system. If any flammable materials or debris is found, remove it.

To remove mud or dust, use a wet sponge and a liquid kitchen abrasive, then rinse well with clean water. Dry with chamois or a soft towel.

If necessary, remove heat stains by using a commercially available fine texture compound. Then, rinse by the same manner as removing mud or dust.

# Appearance Care

---

## Finishing Touches

Refer to *Safety Precautions* on page 137.

(Except for matte painted surface)

After washing your Honda SXS, consider using a commercially available spray cleaner/polish or quality liquid or paste wax to finish the job. Use only a non-abrasive polish or wax made specifically for motorcycles or automobiles. Apply the polish or wax according to the instructions on the container.

(USA & Canada only)

If a surface on your Honda SXS is chipped or scratched, your dealer has touch-up paint to match your Honda SXS's color. Be sure to use your Honda SXS's color code (page 279) when you buy touch-up paint.

If the frame has a chip that exposes the metal, first apply primer (to prevent corrosion) and then apply the touch-up paint. Several thin layers of touch-up paint are better than one thick coat.

## Cleaning Matte Painted Surfaces

Refer to *Safety Precautions* on page 137.

Use a soft cloth or sponge, plenty of water, and a mild detergent to clean the matte paint. Dry with a soft cloth.

Do not use polishing compounds or wax containing polishing compounds. These can damage or discolor the matte painted surface.

# Tips

---

Here's some helpful advice on how to prepare for an off-road adventure, how to transport and store your Honda, and how to be an environmentally responsible Honda SXS owner.

Preparing for a Drive.....	238
What to Take to the Operating Area.....	238
What to Take on the Trail .....	239
Transporting Your Honda .....	240
Storing Your Honda.....	241
Preparation for Storage.....	242
Removal from Storage .....	244
You & the Environment .....	245

# Preparing for a Drive

---

A safe and enjoyable drive begins with good planning and preparation. Always drive with at least one other person in case you have trouble, and let someone know where you're going and when you expect to return.

Before driving in an unfamiliar area, find out in advance if you need special permits, get maps so you can study the terrain, and talk to other drivers who know the area. The Forest Service and the Bureau of Land Management (USA only), the Ministry of Natural Resources (Canada only), driver's clubs, and off-road magazines are good sources of information.

## What to Take to the Operating Area

Along with your Honda SXS and personal safety gear, you should take along some tools and supplies in case you have a problem. For some of the difficulties you might encounter, see *Taking Care of the Unexpected*, which begins on page 247.

We recommend that you always take water, food, a first aid kit, and your owner's manual. Other items you should consider taking along include:

- a tool kit
- tire repair supplies and tools
- wire, duct tape, and rope
- extra gasoline and a fire extinguisher

# Preparing for a Drive

---

## What to Take on the Trail

What you take with you during a ride depends on the kind of terrain, how long you expect to drive, how far you might go from help, and how experienced you or your companions are in making repairs.

If you decide to take some tools, spare parts, or other supplies on the trail, be sure you can carry them safely and know how to use them. Also, be sure to follow the loading guidelines and weight limit (page 107).



# Transporting Your Honda

---

Do not tow your Honda SXS behind a car or other vehicle except on a trailer.

Follow these procedures:

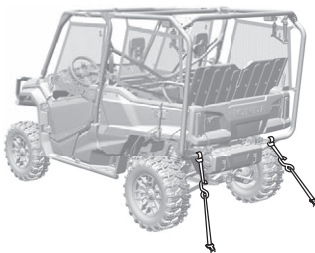
1. (SXS1000M3P/M3D Deluxe/M5P/M5D Deluxe)  
Shift the shift select lever into the park (P) position and the drive mode select lever into 4WD Diff Lock position.  
(SXS1000M3D Trail/M3D Forest/M5D Trail/M5D Forest)  
Shift the shift select lever into the park (P) position and the drive mode select lever into *i* - 4WD position.
2. Secure the vehicle with tie-down straps in the areas shown.
  - Suitable tie-down straps are available from your dealer.
  - Ordinary rope is not recommended because it can stretch under load.
  - Using tie-down straps in any other areas can damage your Honda SXS.
3. Rock the vehicle back and forth to make sure the tie-down straps are tight and the vehicle is secure.



(SXS1000M3P/M3D)



(SXS1000M5P/M5D)



# Storing Your Honda

---

If you won't be driving for an extended period, such as during the winter, thoroughly inspect your Honda SXS and correct any problem before storing it. That way, needed repairs won't be forgotten and it will be easier to get your Honda SXS running again.

(USA only)

For more information about storage, refer to the Honda Winter Storage Guide, available from your dealer.

(Canada only)

For more information about storage, visit our website at [www.honda.ca](http://www.honda.ca) and look up "Storage Tips" under the "Honda Warranty" in the Warranty tab for your Model.

We suggest you perform the following procedures to keep your Honda SXS in top condition. These storage procedures will reduce the deterioration that can occur during storage.

# Storing Your Honda

---

## Preparation for Storage

Refer to *Safety Precautions* on page 137.

1. Change the engine oil and filters (page 168).
2. Make sure the cooling system is filled with a 50/50% antifreeze solution (page 184).
3. Fill the fuel tank. Make sure the fuel fill cap is properly installed.
4. To prevent rusting in the cylinder, perform the following:
  - Remove the air cleaner outer cover (page 154), and disconnect the spark plug caps from the spark plugs (page 199).
  - Remove the spark plugs (page 199).  
Do not connect the spark plugs to the spark plug caps.
  - Pour a tablespoon (15 – 20 cc) of clean engine oil into the cylinder and cover the spark plug holes with a piece of cloth.
  - Turn the ignition switch to the START (II) position and crank the engine several times to distribute the oil.
  - Reinstall the spark plugs, spark plug caps, and air cleaner outer cover.

# Storing Your Honda

---

5. Remove the battery and charge it fully. Store it in an area protected from freezing temperatures and direct sunlight. Slow charge the battery (page 230) once a month.

## **WARNING**

The battery gives off explosive hydrogen gas during normal operation.

A spark or flame can cause the battery to explode with enough force to kill or seriously hurt you.

Wear protective clothing and a face shield, or have a skilled mechanic do the battery maintenance.

6. Wash and dry your Honda SXS. Wax all painted surfaces (except matte painted surface).
7. Inflate the tires to their recommended pressures (page 218).
8. Store your Honda SXS in an unheated area, free of dampness, away from sunlight, with a minimum of daily temperature variation.
9. Place your Honda SXS on blocks to lift all tires off the floor.
10. Cover your Honda SXS with a porous material. Avoid using plastic or similar non-breathing, coated materials that restrict air flow and allow heat and moisture to accumulate.

# Storing Your Honda

---

## Removal from Storage

Refer to *Safety Precautions* on page 137.

1. Uncover and clean your Honda SXS.
2. If your Honda SXS has been stored for more than four months — change the engine oil (page 168).
3. If your Honda SXS has been stored for more than two months — ask your dealer to drain and replace the fuel.
4. Charge the battery (page 230) as required. Install the battery.
5. Perform a pre-drive inspection (page 104), then test-ride your Honda SXS at low speeds.

# You & the Environment

---

Owning and operating a Honda SXS can be enjoyable, but you must do your part to protect nature. When you show respect for the land, wildlife, and other people, you also help preserve off-road driving.

Following are tips on how you can be an environmentally responsible Honda SXS owner.

- **Tread Lightly.** Stay on existing paths and trails, avoid surfaces that are easily damaged, and drive only in areas approved for off-road vehicles.
- **Keep the Noise Down.** Loud vehicles can be offensive. Drive as quietly as possible, don't remove your spark arrester, and don't modify the muffler or any other part of your air intake and exhaust systems. Such modifications not only increase noise, they also reduce engine performance and may be illegal.
- **Choose Sensible Cleaners.** Use a biodegradable detergent when you wash your Honda SXS. Avoid aerosol spray cleaners that contain chlorofluorocarbons (CFCs) which damage the atmosphere's protective ozone layer. Don't throw cleaning solvents away; see the following guidelines for proper disposal.
- **Recycle Wastes.** It's illegal and thoughtless to put used engine oil in the trash, down a drain, or on the ground. Used oil, gasoline, and cleaning solvents contain poisons that can hurt refuse workers and contaminate our drinking water, lakes, rivers, and oceans. Before changing your oil, make sure you have the proper containers. Put oil and other toxic wastes in separate sealed containers and take them to a recycling center. Call your local or state office of public works or environmental services to find a recycling center in your area and to get instructions on how to dispose of non-recyclable wastes.

This page intentionally left blank.

# Taking Care of the Unexpected

---

With all the challenges you can encounter off-road, there's a chance that sometime something may go wrong. This section gives practical advice to help you deal with a wide range of problems. Take time to read this section before you drive. Also review the tips in *Preparing for a Drive* (page 238).

General Guidelines .....	248
If Your Engine Quits or Won't Start .....	250
If the Transmission Is Not Functioning Properly .....	253
If You Have a Flat Tire .....	258
If the High Coolant Temperature Indicator Lights .....	261
If the Clutch Temperature Indicator Flashes .....	263
If a Fuse Blows.....	264
If You Crash .....	270
If You Lose Your Key .....	271
If the Battery Is Low .....	272
If a Component Fails.....	274
If Your Honda SXS Becomes Immersed in Water .....	275
If the Vehicle Speed Does Not Exceed 15 mph (24 km/h) .....	276



# Taking Care of the Unexpected

---

## General Guidelines

Keeping your Honda SXS well-maintained is the best way to reduce the possibility of having a problem while driving. However, problems can arise even with well-maintained machines.

Remember to take along your owner's manual, the tool kit that came with your Honda SXS, and any other items (such as tire repair supplies and additional tools) that might help you solve a problem on your own.

If something goes wrong during a drive, the first thing to do is stop as soon as you safely can. Do not continue driving if you have a flat tire, or you hear an unusual noise, or your Honda SXS just doesn't feel right. If you continue driving, you could cause more damage and endanger your own safety.

After stopping, take time to assess the situation. Carefully inspect your Honda SXS to identify the problem, then consider your options before you decide what to do.

If a problem is relatively minor and you have the tools, supplies, and skills to make a permanent repair, you may be able to fix it on the trail and continue driving.

When a problem is more serious — or you don't have the tools, supplies, experience, or time to deal with it — you need to choose the safest way to get yourself and your Honda SXS back home.

# Taking Care of the Unexpected

---

Should you ever have a problem while driving, please follow these guidelines:

- Always put personal safety first.
- Take time to assess the situation and your options before deciding what to do.
- If the problem is relatively minor and you have the tools, supplies, and skills to make a temporary repair, be sure to have permanent repairs made as soon as possible.
- Do not continue driving if you are hurt or your Honda SXS is not in safe driving condition.

Additional recommendations for specific problems follow.

# If Your Engine Quits or Won't Start

---

Proper operation and maintenance can prevent starting and engine performance problems. In many cases, the cause of the problem may be a simple operational oversight.

If you have a problem starting the engine — or experience poor engine performance — the following information may help you. If you can't correct the problem, see your dealer.

If your SXS won't start, listen as you turn the ignition key to the START (II) position. If you don't hear the starter motor turning, refer to the *Starter motor doesn't operate* symptom. If you can hear the starter motor working normally, refer to the *Starter motor works, but the engine won't start* symptom.

# If Your Engine Quits or Won't Start

SYMPTOM: <b>Starter motor doesn't operate.</b>	
POSSIBLE CAUSE	WHAT TO DO
transmission not in park (P) or neutral (N) position	Shift into park (P) or neutral (N) position or press on the brake pedal.
blown fuse	Replace with a new fuse of the same rating (page 264).
battery lead loose	Tighten the battery lead.
low battery	Charge the battery (page 230). If charging doesn't help, see your dealer.
faulty starter motor	If all possible causes are negative, the starter motor may be faulty. See your dealer.

SYMPTOM: <b>Starter motor works, but the engine won't start.</b>	
POSSIBLE CAUSE	WHAT TO DO
out of fuel	Fill the fuel tank.
flooded engine	See starting the engine step 5 (page 113).
loose or unconnected spark plug caps	Install the spark plug caps securely. If the engine still won't start, see your dealer.
loose battery cables	Tighten the battery terminal bolts.
weak battery	Charge the battery (page 230). If charging doesn't help, see your dealer.

# If Your Engine Quits or Won't Start

---

SYMPTOM: <b>Engine starts, but runs poorly.</b>	
POSSIBLE CAUSE	WHAT TO DO
high coolant temperature	Check the high coolant temperature indicator. Refer to <i>If the High Coolant Temperature Indicator Lights</i> , page 261.
runs erratically, misfires	May damage catalytic converter. See your dealer.
blubbers (rich fuel mixture)	See your dealer.
sooty exhaust (rich fuel mixture)	See your dealer.
detonates or pings under load	If applicable, switch to the recommended octane gasoline (page 160) or change your brand of gasoline. If the problem persists, see your dealer.
afterfires (backfires)	May damage catalytic converter. See your dealer.
pre-ignition (runs on after ignition switched OFF)	May damage catalytic converter. See your dealer.

SYMPTOM: <b>Engine starts, but runs poorly or dies when hot.</b>	
POSSIBLE CAUSE	WHAT TO DO
poor or inadequate fuel flow due to clogged fuel filter	See your dealer. (ensure clean fuel supply)

# If the Transmission Is Not Functioning Properly

---

If the gear position display is blinking, perform the following:

1. If you are driving your Honda SXS, stop at a safe place.
2. Shift the shift select lever to the park (P) position.
3. Check the pattern displayed on the gear position display, and then perform the following.

"P", "R", "N", "H" or "L" is blinking:

You can drive in either AT mode or MT mode. See your dealer as soon as possible.

"1", "2", "3", "4", "5" or "6" is blinking:

At high-range (H) or low-range (L), you can drive only in the gear position that is blinking. You can also drive in reverse (R).

To avoid damaging the clutch, we recommend that you drive in low-range (L). The engine brake may not work, so please drive slowly. See your dealer as soon as possible.

"—" is blinking:

Check for SXS failure again. Perform the following procedure.

1. Check that the shift select lever is at the park (P) position.
2. Turn the ignition switch to the OFF (O) position.
3. Turn the ignition switch to the START (II) position and then start the engine.
4. Check the indication on the gear position display, and then perform the following.

*The gear position ("1", "2", "3", "4", "5" or "6") is blinking:*

At high-range (H) or low-range (L), you can drive only in the gear position that is blinking. You can also drive in reverse (R).

To avoid damaging the clutch, we recommend that you drive in low-range (L). The engine brake may not work, so please drive slowly. See your dealer as soon as possible.

(cont'd)

# If the Transmission Is Not Functioning Properly

---

*If “-” continues to blink:*

Change the gear position by using the gear change tool, and tighten the emergency valve. Perform the following procedure.

1. Turn the ignition switch to the OFF (O) position, and then stop the engine.
2. Turn the ignition switch to the ON (I) position. Do not turn it to the START (II) position.
3. Take out the gear change tool from the tool kit (page 149).
4. Lift the cargo bed (page 93).
5. Remove the rear mudguard lid (page 155).
6. (SXS1000M5P/M5D)  
Remove the heat shield cover (page 156).
7. Set the gear change tool of the spindle which is located on the crankcase.
8. To downshift, turn the gear change tool counterclockwise. To upshift, turn the gear change tool clockwise. When you upshift one position from the lowest downshift position, “E” blinks in the gear position display.

If you cannot shift properly, shift the shift select lever to the high-range (H) position, and while pushing the gear change tool in the direction you want to rotate, rock the vehicle back and forth. When the transmission shifts, return the shift select lever to the park (P) position.

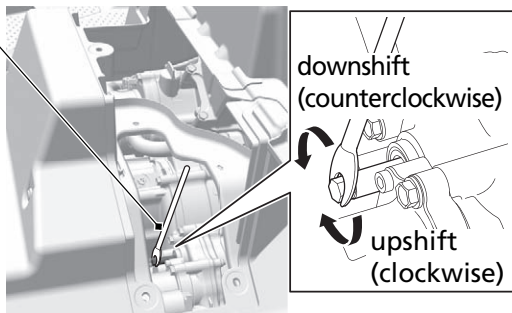
# If the Transmission Is Not Functioning Properly

---

SXS1000M5P/M5D shown

UNDER CARGO BED

gear change  
tool



9. Return the gear change tool to the tool kit.
10. Check that "E" is blinking. Next, tighten the emergency valve.  
Proceed to "E" is *blinking*.

If "—" is not displayed in the gear position display and you change the gear position by using the gear change tool, the DCT system will automatically stop. To reactivate the system, turn the ignition switch to the OFF (O) position, and then turn it back to the ON (I) position.



# If the Transmission Is Not Functioning Properly

---

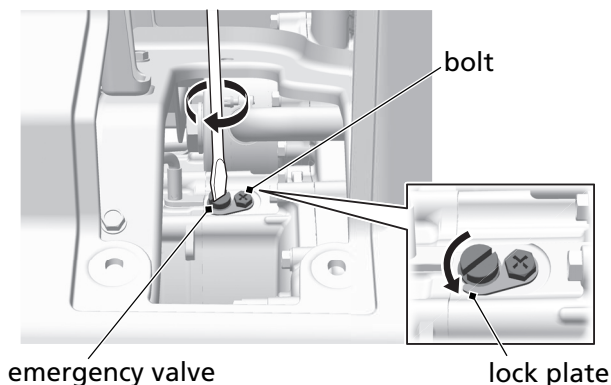
"E" is blinking:

Tighten the emergency valve. Perform the following procedure.

1. Turn the ignition switch to the OFF (O) position, and then stop the engine.
2. Remove the rear mudguard lid (page 155).
3. (SXS1000M5P/M5D)  
Remove the heat shield cover (page 156).
4. Loosen the bolt and release the lock plate, and turn the emergency valve all the way in.

**SXS1000M5P/M5D shown**

**UNDER CARGO BED**



5. Tighten the bolt and the lock plate.
6. (SXS1000M5P/M5D)  
Install the heat shield cover.
7. Install the rear mudguard lid.

# If the Transmission Is Not Functioning Properly

---

8. Turn the ignition switch to the START ( II ) position, and then start the engine.
  9. Check that the gear position ( "1", "2", "3", "4", "5" or "6" ) is blinking.
  10. At high-range (H) or low-range (L), you can drive only in the gear position that is blinking. You can also drive in reverse (R).  
To avoid damaging the clutch, we recommend that you drive in low-range (L). The engine brake may not work, so please drive slowly. See your dealer as soon as possible.
- When in the reverse (R), high-range (H), or low-range (L) position, low oil temperatures will cause the vehicle to move slowly. Shift into the park (P) position and warm up the engine.
  - When restarting the engine, although "E" stops blinking, the gear position ( "1", "2", "3", "4", "5" or "6" ) blinks, and the low oil pressure indicator comes on, you can drive the vehicle.

# If You Have a Flat Tire

---

How you handle a flat tire on the trail depends on how serious the tire damage is, and what tools and supplies you have with you.

If you have a slow leak or a minor puncture, use the plug method to make a temporary repair. (The plug method is applied from the outside of the tire and is the same as that for conventional tubeless tires.)

A plug-type repair kit, available at most auto parts stores or service stations, provides a plug, an installation tool, tire cement, and an instruction sheet. Follow the instructions provided with the repair kit to make a temporary repair.

As soon as possible, have the tire permanently repaired by your dealer.  
Any tire that cannot be repaired should be replaced.

Whenever the Honda SXS is to be operated far from service facilities or available transportation, we recommend that you carry a tire pump and a repair kit with the vehicle.

If the leak is more serious, or a temporary repair doesn't hold, the tire must be replaced. The tire will also need to be replaced if it is damaged (page 219). Replacing a tire involves removing and re-installing the wheel (page 259).

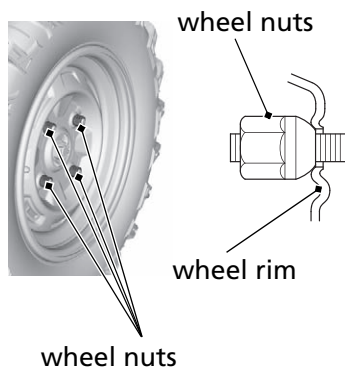
If you are unable to repair a flat tire on the trail, you will need to send for help. We strongly recommend that you do not try to drive with a flat tire. The Honda SXS will be hard to handle, and if the tire comes off the rim, it may lock up the wheel and cause you to crash or overturn.

# If You Have a Flat Tire

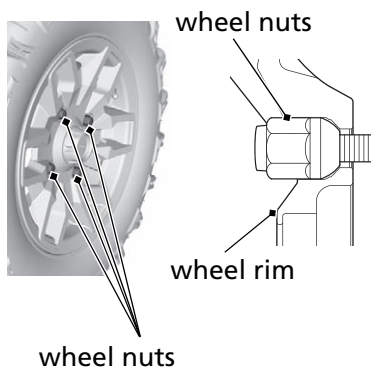
## Emergency Wheel Removal/Installation

Refer to *Safety Precautions* on page 137.

SXS1000M3P/M5P  
(Steel wheel model)



SXS1000M3D/M5D  
(Aluminum wheel model)



### Removal

1. Park your Honda SXS on a firm, level surface.
2. Loosen — but do not remove — the wheel nuts.
3. Raise the front (or rear) wheels off the ground (page 159).
4. Remove the wheel nuts.
5. Remove the wheel.
  - Avoid getting grease, oil, or dirt on the disc or pad surfaces when removing and installing each wheel. Any contamination can cause poor brake performance or rapid pad wear after reassembly.

# If You Have a Flat Tire

---

## Installation

1. Thoroughly clean hub and wheel.
2. Position the wheel.
3. Position the wheel nuts so that the tapered sides face the wheel rim.
4. Hand-tighten the wheel nuts on the wheel, then lower the Honda SXS to the ground before tightening the nuts in a crisscross (rather than circular) pattern to the specified torque:  
**80 lbf·ft (108 N·m, 11 kgf·m)**

If a torque wrench was not used for installation, see your dealer as soon as possible to verify proper assembly. Improper assembly may lead to loss of control and braking capability.

# If the High Coolant Temperature Indicator Lights

---

Normally, the high coolant temperature indicator will only light momentarily when you turn the ignition ON (I). Occasionally, it may flicker at or near idling speed.

High coolant temperature may be caused by restriction of air flow to the radiator (such as mud caked on the radiator), extended idling, an oil leak, a coolant leak, a low oil level, a low coolant level, or extended operation under adverse conditions.

If the all sections of the coolant temperature gauge including segment H and high coolant temperature indicator are on while you're driving, don't ignore it. Pull safely to a stop. Stop the engine as soon as it's safe to do so, and let it cool.

## NOTICE

*Continuing to drive with high coolant temperature or an overheated engine can cause serious engine damage.*

- A steaming engine indicates a coolant leak. Shut the engine off and wait until the steaming stops. Look for a leak, but don't touch the engine or radiator system. Let everything cool off first.
- Check for any restriction of air flow to the radiator.
- If there's no obvious problem, leave the engine on so the fan and coolant circulating system can continue working. Monitor the coolant temperature gauge and high coolant temperature indicator. The coolant temperature gauge and indicator may return to normal after a brief stop with no load on the engine.
- Check the radiator fan.

If the fan is not working, turn the engine off. Open the fuse box (page 265) and check the radiator fan fuse. If the fuse is blown, replace it with the proper (same rating) spare fuse. Start the engine. If the all sections of the coolant temperature gauge including segment H and high coolant temperature indicator stay on, turn the engine off.

If the radiator fan is working, visually check the coolant level in the reserve tank located under the front hood. It isn't necessary to touch the radiator system.

# If the High Coolant Temperature Indicator Lights

---

- If the reserve tank is low or empty, don't drive without adding coolant (page 185). After adding coolant, turn the engine on and check the coolant temperature gauge and high coolant temperature indicator.

If the indicator doesn't turn off, do not drive. The engine needs repair.

Transport your Honda SXS to a dealer (page 240).

If the temperature drops to normal, check the coolant level. If it has gone down, add more coolant.

- Check for an oil leak.
- Check the oil level. If necessary, add the recommended oil (page 164) to the upper level mark. If you must leave your Honda SXS to get oil, secure it as much as possible.
- Start the engine, and check that the coolant temperature gauge and high coolant temperature indicator are normal.

If the coolant temperature gauge and indicator return to normal, resume driving. If there is a leak, do not drive the SXS until the leak is repaired by your dealer.

If there's a mild coolant leak, you can drive for a while, carefully watching the coolant temperature gauge and indicator. Be prepared to stop and add more coolant or water. If the leak is bad, transport your Honda SXS to your dealer (page 240).

# If the Clutch Temperature Indicator Flashes

---

The clutch temperature indicator flashes if the clutch temperature becomes unusually high. If the indicator flashes, release the accelerator pedal as soon as it is safe to and apply the brakes.

Shift the transmission to neutral (N) or park (P) and allow the engine to idle until the indicator stops flashing. Once the indicator stops flashing, the vehicle is safe to operate. If the clutch temperature indicator continues to flash, have your vehicle inspected by your dealer.

The clutch temperature indicator may flash under certain conditions, such as slow speed rock crawling, holding the vehicle stationary on an incline with the accelerator pedal, when the vehicle is stuck and the wheels are not turning, or attempting to pull an immovable object.

## NOTICE

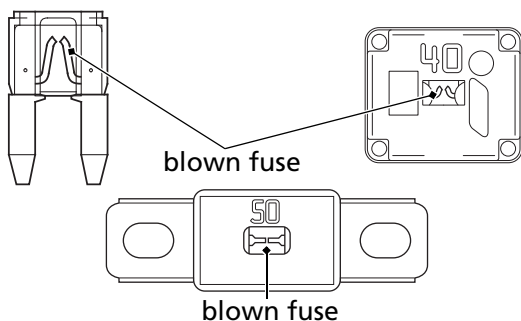
*Continuing to apply the accelerator pedal with the clutch temperature indicator flashing can damage the clutch.*



# If a Fuse Blows

All of the electrical circuits on your Honda SXS have fuses to protect them from damage caused by excess current flow (short circuit or overload).

If something electrical on your Honda SXS stops working, the first thing you should check for is a blown fuse.



Check all the fuses before looking elsewhere for another possible cause of the problem. Replace any blown fuses and check component operation.

The main fuse and circuit fuses are located in the fuse box under the front hood. The electric power steering (EPS) fuse is located under the front hood. The brake traction control system (BTCS) fuse is located under the front hood. (SXS1000M3D Trail/M3D Forest/M5D Trail/M5D Forest only)

## Recommended Fuses

main fuse	50 A
circuit fuses	SXS1000M3P/M5P 30 A x 2, 15 A x 3, 10 A x 4 SXS1000M3D Deluxe/M5D Deluxe 30 A x 2, 15 A x 3, 10 A x 5 SXS1000M3D Trail/M3D Forest/M5D Trail/M5D Forest 30 A x 3, 15 A x 3, 10 A x 5
electric power steering (EPS) fuse	40 A
brake traction control (BTCS) fuse (SXS1000M3D Trail/M3D Forest/ M5D Trail/M5D Forest only)	40 A

# If a Fuse Blows

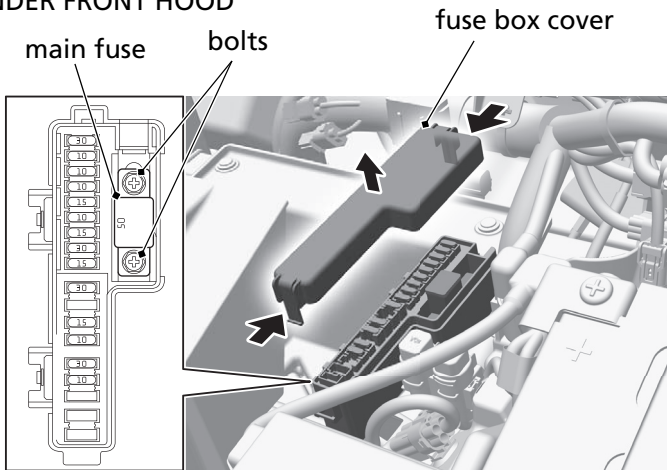
---

## Main Fuse Access

1. To prevent an accidental short circuit, turn the ignition switch OFF (O) before checking or replacing the fuses.
2. Remove the front hood (page 151).
3. Remove the fuse box cover.
4. To access the main fuse, remove the bolts, and then pull the main fuse out. If the main fuse is blown, see your dealer for this service.

SXS1000M5D Forest shown

UNDER FRONT HOOD



(cont'd)

# If a Fuse Blows

---

## *Circuit Fuse Access*

5. To check or replace a circuit fuse, pull the fuses out one by one with the fuse puller located behind the fuse box cover. If the fuse is blown, replace it with a spare fuse of the same rating.

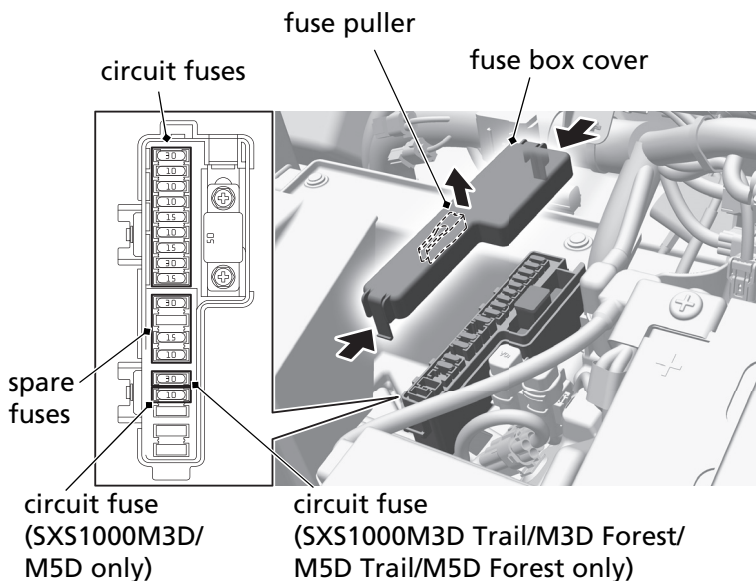
If you do not have a replacement fuse with the proper rating for the circuit, install one with a lower rating.

## **NOTICE**

*Replacing a fuse with one that has a higher rating greatly increases the chance of damage to the electrical system.*

6. Install the fuse box cover.
7. Install the front hood.

SXS1000M5D Forest shown



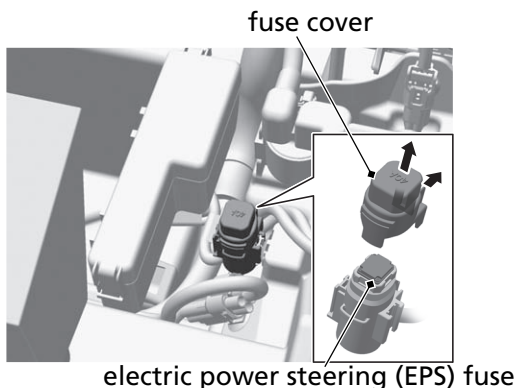
# If a Fuse Blows

---

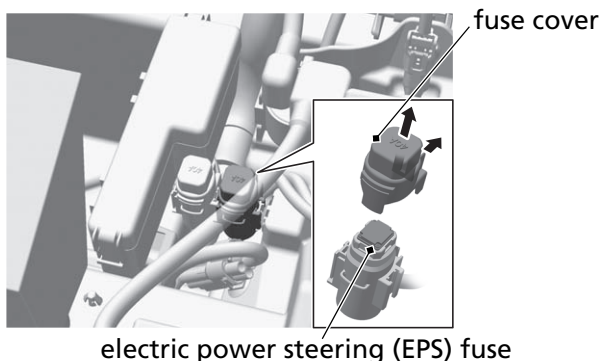
## *Electric Power Steering (EPS) Fuse Access*

1. Turn the ignition switch to OFF (O) before checking the fuse.
2. Remove the front hood (page 151).
3. To access the EPS fuse, remove the fuse cover.  
If the EPS fuse is blown, see your dealer for this service.
4. Install the fuse cover.
5. Install the front hood.

(SXS1000M3P/M3D Deluxe/M5P/M5D Deluxe)



(SXS1000M3D Trail/M3D Forest/M5D Trail/M5D Forest)

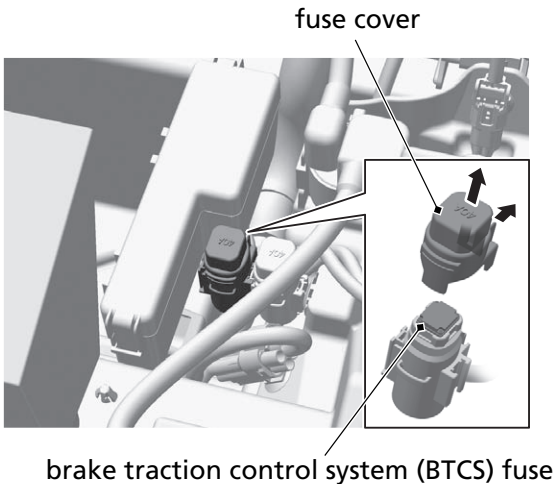


# If a Fuse Blows

---

*Brake Traction Control System (BTCS) Fuse Access (SXS1000M3D Trail/M3D Forest/M5D Trail/M5D Forest only)*

1. Turn the ignition switch to OFF (O) before checking the fuse.
2. Remove the front hood (page 151).
3. To access the BTCS fuse, remove the fuse cover.  
If the BTCS fuse is blown, see your dealer for this service.
4. Install the fuse cover.
5. Install the front hood.



## If a Fuse Blows

---

If you do not have a spare fuse and you cannot drive the Honda SXS without fixing the problem, take a fuse of the same rating or a lower rating from one of the other circuits that you can do without temporarily.

If you replace a blown fuse with a spare fuse that has a lower rating, replace the fuse with the correct rating as soon as you can. Also remember to replace any spare fuses that were installed.

If the replacement fuse of the same rating burns out in a short time, there is probably a serious electrical problem on your Honda SXS. Leave the blown fuse in that circuit and have your Honda SXS checked by your dealer.

# If You Crash

---

Personal safety is your first priority after a crash. If you or anyone else has been injured, take time to assess the severity of the injuries and whether it is safe to continue driving. If you cannot drive safely, send someone for help. Do not drive if you will risk further injury.

If you decide that you are capable of driving your SXS safely, first evaluate the condition of your SXS. If the engine is still running, turn it off and look it over carefully; inspect it for fluid leaks, check the tightness of critical nuts and bolts securing such parts as the steering wheel, control levers, brakes, and wheels.

If there is minor damage, or you are unsure about possible damage but decide to try driving the Honda SXS back to your base, drive slowly and cautiously.

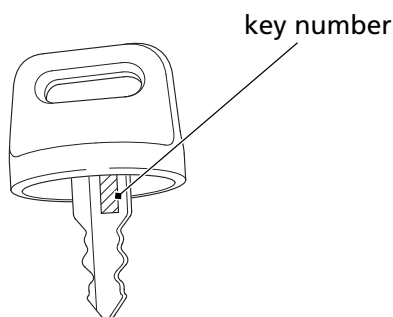
Sometimes, crash damage is hidden or not immediately apparent. When you get home, thoroughly check your Honda SXS and correct any problems you find. Also, be sure to have your dealer check the frame suspension, seat belts, and occupant protective structure after any serious crash.

# If You Lose Your Key

---

Be sure to record your key number. Store the spare key and recorded key number in a safe location. You'll need this number to have a duplicate key made.

If you lose your key and aren't carrying a duplicate, either get your spare or have one made. If you don't know your key number, call the dealer where you purchased your Honda SXS. They may have it listed in their records. If they don't, transport your Honda SXS to them or the nearest dealer. The dealer will probably have to remove the ignition switch assembly to find the key number so they can make a key for you.





# If the Battery Is Low

---

If the battery is low, the starter motor doesn't operate or works poorly, and you can't start the engine.

Jump starting your Honda SXS should be avoided.

Instead, the battery should be removed and recharged (page 230).

If you can't charge the battery or it appears unable to hold a charge, contact your dealer.

## **WARNING**

The battery gives off explosive hydrogen gas during normal operation.

A spark or flame can cause the battery to explode with enough force to kill or seriously hurt you.

Wear protective clothing and a face shield, or have a skilled mechanic do the battery maintenance.

**WARNING:** Battery posts, terminals and related accessories contain lead and lead compounds. **Wash your hands after handling.**

However, when there is no option other than jump starting, follow the instructions given below.

## **NOTICE**

*If a battery sits in extreme cold, the electrolyte inside can freeze. Attempting to jump start with a frozen battery can cause it to rupture.*

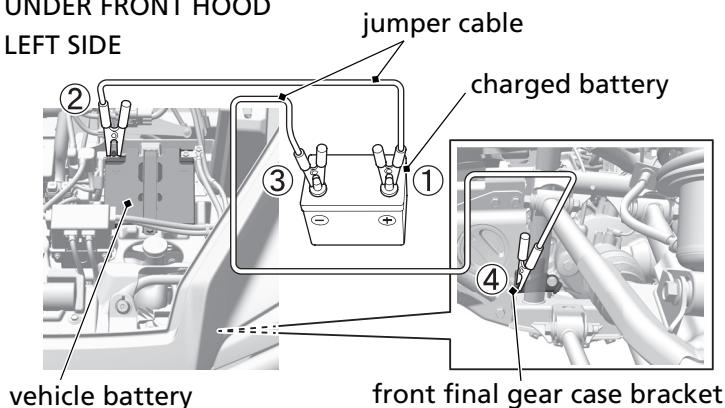
Use a battery that is the same as the one in the vehicle or an equivalent.

# If the Battery Is Low

1. To prevent an accidental short circuit, turn the ignition switch OFF (O).
2. Remove the front hood (page 151).
3. Using a fully charged 12-volt battery, connect the positive (+) side of the jumper cable to the charged battery, and connect the positive (+) side on the other end of the jumper cable to the positive (+) terminal of vehicle battery.
4. Connect the negative (-) side of the jumper cable to the charged battery, and connect the negative (-) side on the other end of the jumper cable to the front final gear case bracket.
5. After starting the engine, remove the negative (-) sides of the jumper cable from the vehicle and the charged battery. Then, remove the positive (+) sides of the jumper cable from the vehicle battery and the charged battery.
6. Install the front hood.
  - Do not let the positive (+) side of the jumper cable touch on the negative (-) terminal.
  - If the jumper cable is connected to the battery with the polarity reversed, the battery can explode or the electrical system will be seriously damaged.

## UNDER FRONT HOOD

### LEFT SIDE



## If a Component Fails

---

The brake lines, control cables, and other components can be damaged as you drive in dense brush or over rocky terrain. Making a trailside repair depends on how serious the damage is and what tools and supplies you have with you.

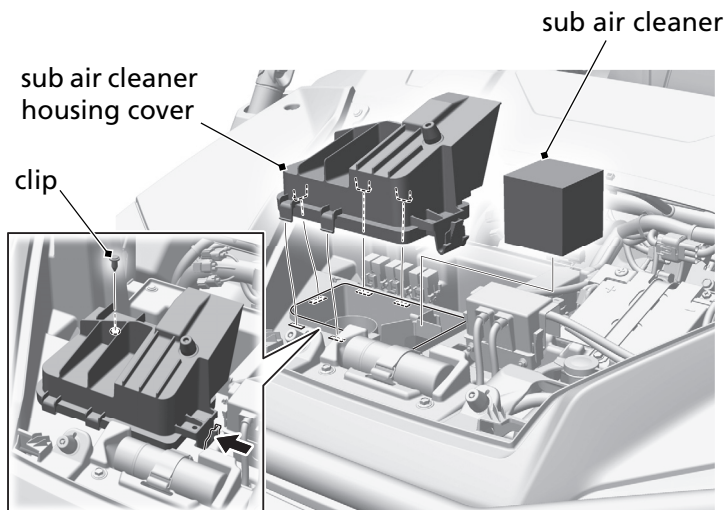
- If any component in the brake system is damaged, you may have reduced or limited stopping power. If you decide to continue driving back to your base, do so cautiously and at a very low speed.
- If you damage the accelerator cable or other critical component, your Honda SXS may be unsafe to drive. Carefully assess the damage and make any repairs that you can. But if there is any doubt, it's best to be conservative and safe.

# If Your Honda SXS Becomes Immersed in Water

If your Honda SXS becomes immersed in water (water level is above the floorboard), inspect the vehicle to avoid severe engine damage by following these steps:

1. Move your Honda SXS to dry land or at the very least, to a water level below 10 inches (25 cm).
2. Check the sub air cleaner condition.

## UNDER FRONT HOOD



- If the sub air cleaner is wet, water may have entered the air intake system. Do not start engine.
- If the sub air cleaner is dry, the engine can be restarted.

3. Take your Honda SXS to your dealer for service as soon as possible, even if you succeeded in starting the engine.

## **If the Vehicle Speed Does Not Exceed 15 mph (24 km/h)**

---

If the driver's side seat belt is not latched properly, the maximum vehicle speed will be limited to no more than 15 mph (24 km/h) by the seat belt speed limiting system (page 76).

Also, the seat belt indicator and speedometer digits blink.

Make sure that the driver's side seat belt is latched properly. If the problem persists, see your dealer.

# Technical Information

---

This section contains dimensions, capacities, and other technical data, plus information on government requirements and how to break-in your Honda SXS.

Vehicle Identification .....	278
Specifications .....	280
Break-in Guidelines.....	289
Emission Control Systems (USA & Canada only) .....	290
Oxygenated Fuels (USA & Canada only) .....	294
Petrol Containing Alcohol (Except USA & Canada) .....	296
Catalytic Converter .....	297

# Vehicle Identification

---

## Serial Numbers

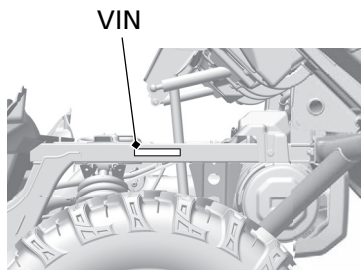
The VIN and engine serial number may be required when ordering replacement parts. You may record these numbers in the Quick Reference section at the rear of this manual.

The VIN is stamped on the left side of the frame, located under the rear cargo bed.

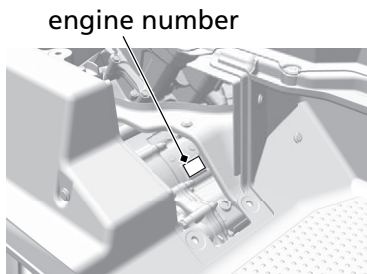
The engine number is stamped on the upper side of the rear crankcase.

1. Lift the cargo bed (page 93).
2. Remove the rear mudguard lid (page 155).
3. (SXS1000M5P/M5D)  
Remove the heat shield cover (page 156).

**UNDER CARGO BED  
LEFT SIDE**



**SXS1000M5P/M5D shown  
UNDER CARGO BED  
CENTER**



# Vehicle Identification

---

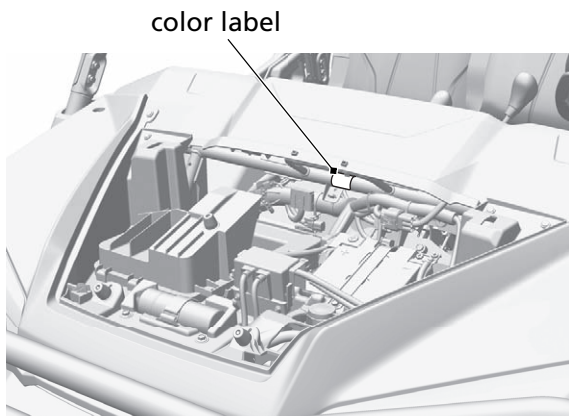
## Color Label & Code

The color label is attached to the center front side of the frame, located under the front hood.

Remove the front hood (page 151).

The color code is helpful when ordering replacement parts. You may record the color code in the Quick Reference section at the rear of this manual.

### UNDER FRONT HOOD





# Specifications

Dimensions	
overall length	<p>SXS1000M3P A, AC: 117.1 in (2,975 mm) CM: 119.8 in (3,043 mm)</p> <p>SXS1000M3D A, AC: 117.1 in (2,975 mm) VI A, VI AC, VII A, VII AC: 120.4 in (3,059 mm)</p> <p>SXS1000M5P: 116.9 in (2,970 mm)</p> <p>SXS1000M5D A, AC: 116.9 in (2,970 mm) CM: 119.6 in (3,037 mm) VI A, VI AC, VII A, VII AC: 119.2 in (3,028 mm) VI CM, VII CM: 121.9 in (3,095 mm)</p>
overall width	63.0 in (1,599 mm)
overall height	<p>SXS1000M3P/M3D: 76.1 in (1,932 mm)</p> <p>SXS1000M5P/M5D: 76.4 in (1,940 mm)</p>
wheelbase	80.2 in (2,038 mm)
ground clearance	<p>SXS1000M3P: 13.6 in (345 mm)</p> <p>SXS1000M3D A, AC: 13.6 in (345 mm) VI A, VI AC: 12.8 in (325 mm) VII A, VII AC: 13.2 in (335 mm)</p> <p>SXS1000M5P: 13.2 in (335 mm)</p> <p>SXS1000M5D A, AC, CM: 12.3 in (312 mm) VI A, VI AC, VI CM, VII A, VII AC, VII CM: 12.3 in (313 mm)</p>

# Specifications

Dimensions	
curb weight	SXS1000M3P
	A: 1,594 lbs (723 kg)
	AC: 1,598 lbs (725 kg)
	CM: 1,609 lbs (730 kg)
	SXS1000M3D
	A: 1,598 lbs (725 kg)
	AC: 1,603 lbs (727 kg)
	VI A: 1,653 lbs (750 kg)
	VI AC: 1,658 lbs (752 kg)
	VII A: 1,675 lbs (760 kg)
	VII AC: 1,680 lbs (762 kg)
	SXS1000M5P
	A: 1,720 lbs (780 kg)
	AC: 1,724 lbs (782 kg)
	SXS1000M5D
	A: 1,728 lbs (784 kg)
	AC: 1,731 lbs (785 kg)
	CM: 1,742 lbs (790 kg)
	VI A: 1,777 lbs (806 kg)
	VI AC: 1,781 lbs (808 kg)
VI CM: 1,790 lbs (812 kg)	
VII A: 1,792 lbs (813 kg)	
VII AC: 1,797 lbs (815 kg)	
VII CM: 1,806 lbs (819 kg)	

# Specifications

---

<b>Fuel &amp; Lubricants</b>	
fuel recommendation	unleaded gasoline, pump octane number of 86 or higher
fuel tank capacity	7.9 US gal (30 ℓ)
engine oil capacity	after disassembly: 7.6 US qt (7.2 ℓ) after draining: 5.8 US qt (5.5 ℓ) after draining & engine oil filter change: 6.08 US qt (5.75 ℓ) after draining, engine & DCT oil filters change: 6.1 US qt (5.8 ℓ)
sub-transmission oil capacity	after disassembly: 1.5 US qt (1.4 ℓ) after draining: 1.22 US qt (1.15 ℓ)
engine/sub-transmission oil recommendation	API Service Classification SJ or higher except oils labeled as energy conserving or resource conserving on the circular API service label, SAE 10W-30, JASO T 903 standard MA, Pro Honda GN4 4-stroke oil (USA & Canada) or Honda 4-stroke oil, or an equivalent
cooling system recommendation	Pro Honda HP Coolant (USA & Canada) or an equivalent high quality ethylene glycol antifreeze containing corrosion protection inhibitors specifically recommended for use in aluminum engines
cooling system capacity	3.6 US qt (3.4 ℓ) 3.3 US qt (3.1 ℓ) (after draining)

# Specifications

<b>Capacities</b>	
passenger capacity	SXS1000M3P/M3D driver and two passengers SXS1000M5P/M5D driver and four passengers
maximum weight capacity	USA - 49 states, Canada models 1,649 lb (748 kg) USA - 50 states [meets California] models 1,248 lb (566 kg) driver, passenger, all cargo and accessories

<b>Engine Specifications</b>	
displacement	60.9 cu-in (999 cm <sup>3</sup> )
bore & stroke	3.622 x 2.959 in (92.000 x 75.148 mm)
compression ratio	10.0 : 1
spark plug (standard)	LMAR7M-9S (NGK)
spark plug gap	0.03 – 0.04 in (0.8 – 0.9 mm)
valve clearance (cold)	intake: 0.006 ± 0.001 in (0.16 ± 0.03 mm) exhaust: 0.009 ± 0.001 in (0.24 ± 0.02 mm)
idle speed	1,350 ± 100 rpm (non-adjustable)

# Specifications

---

<b>Power Transmission</b>		
primary reduction		1.883
final reduction	front	3.384
	rear	3.375
transmission ratio	1st	2.764
	2nd	2.047
	3rd	1.583
	4th	1.230
	5th	0.968
	6th	0.764
sub-transmission ratio	low	2.666
	high	1.960
	reverse	2.640
final drive		shaft

# Specifications

Chassis & Suspension		
caster	3°	
trail	0.6 in (16 mm)	
tire size	front:	27X9.00R14 NHS ARMSTRONG DIRT MASTER
	rear:	27X11.00R14 NHS ARMSTRONG DIRT MASTER
tire pressure (cold)	front:	SXS1000M3P/M3D 18 psi (120 kPa) SXS1000M5P/M5D 20 psi (140 kPa)
	rear:	SXS1000M3P/M3D 18 psi (120 kPa) SXS1000M5P/M5D 20 psi (140 kPa)

# Specifications

---

<b>Electrical</b>	
battery	GYZ16H 12 V-16 Ah (10HR)
generator	0.6 kW/5,000 rpm

<b>Lights</b>	
headlight	12 V 60/55 W × 2
brake/tail light	LED
front courtesy light (SXS1000M3D Trail/M3D Forest/ M5D Trail/M5D Forest)	LED
rear courtesy lights (SXS1000M3D Forest/M5D Forest)	LED
neutral indicator	LED
reverse indicator	LED
high coolant temperature indicator	LED
PGM-FI malfunction indicator lamp (MIL)	LED
electric power steering (EPS) indicator	LED

# Specifications

<b>Lights</b>	
seat belt indicator	LED
clutch temperature indicator	LED
4WD differential lock indicator (SXS1000M3P/ M3D Deluxe/M5P/ M5D Deluxe)	LED
<i>i</i> - 4WD indicator (SXS1000M3D Trail/ M3D Forest/M5D Trail/M5D Forest)	LED
low oil pressure indicator	LED
hill start assist (HSA) indicator (SXS1000M3D Trail/ M3D Forest/M5D Trail/M5D Forest)	LED
If there is a LED which is not turned on, see your dealer for this service.	

<b>Fuses</b>	
main	50 A
circuit	SXS1000M3P/M5P 30 A x 2, 15 A x 3, 10 A x 4 SXS1000M3D Deluxe/M5D Deluxe 30 A x 2, 15 A x 3, 10 A x 5 SXS1000M3D Trail/M3D Forest/M5D Trail/M5D Forest 30 A x 3, 15 A x 3, 10 A x 5



# Specifications

---

<b>Fuses</b>	
EPS	40 A
BTCS (SXS1000M3D Trail/M3D Forest/ M5D Trail/M5D Forest only)	40 A

<b>Torque Specification</b>	
engine oil filter cover bolts	9 lbf·ft (12 N·m, 1.2 kgf·m)
DCT oil filter cover bolts	9 lbf·ft (12 N·m, 1.2 kgf·m)
engine oil drain bolts (oil pan and oil tank)	22 lbf·ft (30 N·m, 3.1 kgf·m)
sub-transmission oil drain bolt	22 lbf·ft (29 N·m, 3.0 kgf·m)
front final gear oil fill cap	9 lbf·ft (12 N·m, 1.2 kgf·m)
front final gear oil drain plug	9 lbf·ft (12 N·m, 1.2 kgf·m)
rear final gear oil fill cap	9 lbf·ft (12 N·m, 1.2 kgf·m)
rear final gear oil drain plug	9 lbf·ft (12 N·m, 1.2 kgf·m)
air cleaner housing cover screws	3.8 lbf·ft (5.2 N·m, 0.5 kgf·m)
wheel nuts	80 lbf·ft (108 N·m, 11 kgf·m)

# Break-in Guidelines

---

Help assure your Honda SXS's future reliability and performance by paying extra attention to how you drive during the first operating day or 15 miles (25 km).

During this period, avoid full-throttle starts and rapid acceleration.

# Emission Control Systems (USA & Canada only)

---

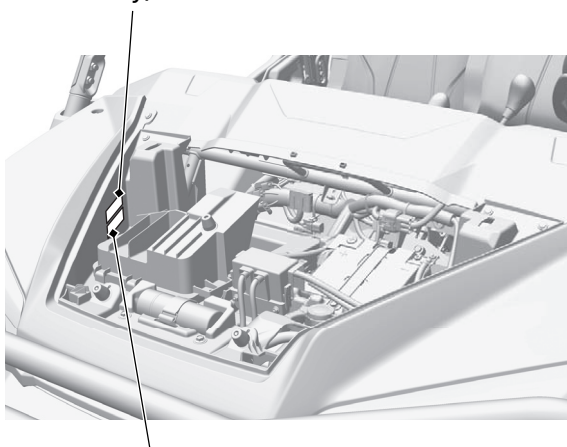
## Exhaust Emission Requirements

The U.S. Environmental Protection Agency (EPA), the California Air Resources Board (CARB), and Environment and Climate Change Canada (ECCC) require that your SXS comply with applicable exhaust emissions standards during its useful life, when operated and maintained according to the instructions provided.

The Vehicle Emission Control Information Label is attached on the right front side of the front fender under the front hood.

## RIGHT FRONT SIDE OF THE FRAME

vehicle emission control information label  
(Canada model only)



vehicle emission control information label

# Emission Control Systems (USA & Canada only)

---

## Source of Exhaust Emissions

The combustion process produces carbon monoxide (CO), oxides of nitrogen (NOx) and hydrocarbons (HC). Control of hydrocarbons and oxides of nitrogen is very important because, under certain conditions, they react to form photochemical smog when subjected to sunlight. Carbon monoxide does not react in the same way, but it is toxic.

Honda Motor Co., Ltd. utilizes various systems to reduce carbon monoxide, oxides of nitrogen and hydrocarbons.

## Exhaust Emission Control System

The exhaust emission control system includes an oxygen sensor, a three-way catalytic converter and a PGM-FI system.

No adjustment to this system should be made although periodic inspection of the components is recommended.

The exhaust emission control system is separate from the crankcase emission control system.

## Evaporative Emission Control System (USA - 50 states [meets California])

An evaporative emissions control system uses a canister filled with charcoal to adsorb fuel vapor from the fuel tank while the engine is off. The vapor is drawn into the engine and burned while driving.

Models sold in and used in California:

An add-on or modified part must be compliant with applicable ARB evaporative emission control standards. A violation of this requirement is punishable by civil and/or criminal punishment.

## Crankcase Emission Control System

The engine is equipped with a Closed Crankcase System to prevent discharging crankcase emissions into the atmosphere. Blow-by gas is returned to the combustion chamber through the air cleaner and throttle body.

# Emission Control Systems (USA & Canada only)

---

## Problems That May Affect Exhaust Emissions

If you are aware of any of the following symptoms, have the vehicle inspected and repaired by your dealer.

Symptoms:

1. Hard starting or stalling after starting
2. Rough idle
3. Misfiring or backfiring during acceleration
4. After-burning (backfiring)
5. Poor performance (driveability) and poor fuel economy

Federal regulations prohibit removing or disabling a device or element of design that may affect your engine's emission performance unless your Honda will be used exclusively in competition. If you modify your engine for use in sanctioned competition events, you must deface or destroy the emission control information label.

If you loan, sell, or give your competition modified Honda to someone else, according to applicable law, you must inform the new owner/driver in writing that the vehicle is to be used for competition only.

# Emission Control Systems (USA & Canada only)

---

## Noise Emission Control System

TAMPERING WITH THE NOISE CONTROL SYSTEM IS PROHIBITED: State laws prohibit, or Canadian provincial laws may prohibit, the following acts or the causing thereof: (1) The removal or rendering inoperative by any person, other than for purposes of maintenance, repair or replacement, of any device or element of design incorporated into any new vehicle for the purpose of noise control prior to its sale or delivery to the ultimate purchaser or while it is in use; or (2) the use of the vehicle after such device or element of design has been removed or rendered inoperative by any person.

AMONG THOSE ACTS PRESUMED TO CONSTITUTE TAMPERING ARE THE FOLLOWING ACTS:

- Removal of, or puncturing the muffler, baffles, header pipes or any other component which conducts exhaust gases.
- Removal of, or puncturing of any part of the intake system.
- Lack of proper maintenance.
- Removing or disabling any emissions compliance component, or replacing any compliance component with a non-compliant component.

## Fuel Permeation Emission Control System

This vehicle complies with the Fuel Permeation Emission Control regulations of the U.S. Environmental Protection Agency (EPA), the California Air Resources Board (CARB), and Environment and Climate Change Canada (ECCC).

The fuel tank, fuel hoses, and fuel vapor charge hoses used on this vehicle incorporate fuel permeation control technologies.

Tampering with the fuel tank, fuel hoses, or fuel vapor charge hoses to reduce or defeat the effectiveness of the fuel permeation technologies is prohibited by federal regulations.

# Oxygenated Fuels (USA & Canada only)

---

Some conventional gasolines are being blended with alcohol or an ether compound. These gasolines are collectively referred to as oxygenated fuels. To meet clean air standards, some areas of the United States and Canada use oxygenated fuels to help reduce emissions.

If you use an oxygenated fuel, be sure it is unleaded and meets the minimum octane rating requirement.

Before using an oxygenated fuel, try to confirm the fuel's contents. Some states/provinces require this information to be posted on the pump.

The following are percentages of oxygenates for non-road vehicles:

ETHANOL (ethyl or grain alcohol) up to 10% by volume.

You may use gasoline containing up to 10% ethanol by volume.

Gasoline containing ethanol may be marketed under the name "Gasohol".

Do not use gasoline containing more than 10% ethanol by volume.

The use of gasoline containing a higher percentage (e.g. E15, E20, E85) of ethanol has not been approved for use in this vehicle and may cause starting and/or performance problems and can also damage metal, rubber, and plastic parts of the fuel system and are not covered by the Distributor's Limited Warranty.

# Oxygenated Fuels (USA & Canada only)

---

Do not use gasoline containing METHANOL (methyl alcohol). Gasoline containing methanol may cause starting and/or performance problems. It may also damage metal, rubber, and plastic parts of your fuel system.

If you notice any undesirable operating symptoms, try another service station or switch to another brand of gasoline.

Fuel system damage or performance problems resulting from the use of an oxygenated fuel containing more than the percentages of oxygenates mentioned above are not covered under warranty.

Oxygenated fuels can damage paint and plastic. Be careful not to spill fuel when filling the fuel tank. Wipe up any spills immediately.

## NOTICE

*Oxygenated fuels can damage paint and plastic. Damage caused by spilled fuel is not covered by warranty.*



# Petrol Containing Alcohol (Except USA & Canada)

---

If you decide to use a petrol containing alcohol (gasohol), be sure its octane rating is at least as high as that recommended.

Do not use gasohol that contains more than 10% ethanol.

Engine performance problems resulting from the use of fuels that contain alcohol are not covered under the warranty. Honda cannot endorse the use of fuels containing methanol since evidence of their suitability is not yet complete.

Before buying fuel from an unfamiliar station, try to find out if the fuel contains alcohol. If it does, confirm the type and percentage of alcohol used. If you notice any undesirable operating symptoms while using a petrol that contains alcohol, or one that you think contains alcohol, switch to a petrol that you know does not contain alcohol.

# Catalytic Converter

---

This SXS is equipped with a three way catalytic converter. The catalytic converter contains precious metals that serve as catalysts, promoting chemical reactions to convert the exhaust gases without affecting the metals.

The catalytic converter acts on HC, CO, and NOx. A replacement unit must be an original Honda part or its equivalent.

The catalytic converter must operate at a high temperature for the chemical reactions to take place. It can set fire to any combustible materials that come near it. Park your SXS away from high grasses, dry leaves, or other flammables.

A defective catalytic converter contributes to air pollution, and can impair your engine's performance. Follow these guidelines to protect your SXS's catalytic converter.

- Always use unleaded gasoline. Even a small amount of leaded gasoline can contaminate the catalyst metals, making the catalytic converter ineffective.
- Keep the engine in good running condition. A poorly running engine can cause the catalytic converter to overheat causing damage to the converter or the SXS.
- If your engine is misfiring, backfiring, stalling, or otherwise not running properly, stop driving and turn off the engine. Have your SXS serviced as soon as possible.

This page intentionally left blank.

# Consumer Information (USA & Canada only)

---

This section contains information on your warranty and how to get an official Honda service manual.

Authorized Manuals (USA & Canada only) .....	300
Warranty Coverage (USA & Canada only) .....	301
Warranty Service (USA & Canada only) .....	302
Contacting Honda (USA & Canada only) .....	303
Your Honda Dealer (USA & Canada only) .....	305
Reporting Safety Defects (Canada only) .....	306

# Authorized Manuals (USA & Canada only)

---

The Service Manual used by your authorized dealer is available from your Honda dealer or Helm, Inc. (USA only, Canada: See your dealer to order authorized manuals.)

Also available but not necessary to service your model is the Honda Common Service Manual which explains theory of operation and basic service information for various systems on Honda motorcycles, scooters, ATVs, SXSs and PWCs.

(USA only)

The Winter Storage Guide in conjunction with the Owner's Manual and Service Manual can help you prepare your Honda motorcycle, scooter, ATV, and SXS for winter storage.

These Honda manuals are written for the professional technician, but most mechanically capable owners should find them easy to use if they have the proper tools and observe proper safety standards. Special Honda tools are necessary for some procedures.

Description
2025 Pioneer 1000 Service Manual
Common Service Manual (61CSM00)
(USA only) Winter Storage Guide (S9507)
2025 Pioneer 1000 Owner's Manual

**Order online: [www.helminc.com](http://www.helminc.com)**

**Order Toll Free: 1-888-CYCLE93 (1-888-292-5393)**

*(NOTE: For Credit Card Orders Only)*

Monday - Friday 8:00 AM - 6:00 PM EST

# Warranty Coverage (USA & Canada only)

---

Your new Honda is covered by these warranties:

- Honda SXS Limited Warranty
- Emission Control System Warranty

There are responsibilities, restrictions, and exclusions which apply to these warranties. Please read the Warranties Booklet given to you by your Honda dealer at the time of purchase. Be sure to keep your Honda owner's card with your Warranties Booklet.

Canada: Please refer to the Warranty Booklet posted on our website at [www.honda.ca](http://www.honda.ca).

It is important to realize that your warranty applies to defects in material or workmanship of your Honda. Your warranty coverage does not apply to normal wear or deterioration associated with using the Honda SXS.

Your warranty coverage will not be voided if you choose to perform your own maintenance. However, you should have the proper tools and service information and be mechanically qualified. Failures that occur due directly to improper maintenance are not covered.

Almost all of your warranty coverage can be extended through the HondaCare® Protection Plan (USA only). For more information, see your dealer.

# Warranty Service (USA & Canada only)

---

Please remember that recommended maintenance interval servicing is not included in your warranty coverage. Additionally, your warranty does not apply to the normal wear of items (such as brakes, tires, etc.).

If you believe you have a problem with your Honda SXS, call the service department of your dealer. Make an appointment for an inspection and diagnosis. Remember, as the owner of the Honda SXS, you will be asked to authorize that inspection. Your dealer will give you the results of the inspection. If the problem is covered under warranty, your dealer will perform the warranty repairs for you.

If you have questions about warranty coverage or the nature of the repair, it is best to talk to the Service Manager of your dealer.

Sometimes, in spite of the best intentions of all concerned, a misunderstanding may occur. If you aren't satisfied with your dealer's handling of the situation, we suggest you discuss your problem with the appropriate member of the dealership's management team. If the problem has already been reviewed with the Service Manager, Parts Manager, Sales Manager, etc., contact the Owner of the dealership or their designated representative.

# Contacting Honda (USA & Canada only)

---

Your owner's manual was written to cover most of the questions you might ask about your Honda. Any questions not answered in the owner's manual can be answered by your dealer. If your dealer doesn't have the answer right away, they will get it for you.

If you have a difference of opinion with your dealer, please remember that each dealership is independently owned and operated. That's why it's important to work to resolve any differences at the dealership level.

If you wish to contact Honda directly to comment on your experiences with your Honda or with your dealer, please send your comments using one of the following methods:

USA:



POST MAIL

Powersports Customer Relations  
American Honda Motor Co., Inc.  
4900 Marconi Drive  
Alpharetta, GA 30005-8847



PHONE

Telephone: (866) 784-1870



ONLINE CUSTOMER SERVICE

Website: <https://powersports.honda.com/contact-us>



# Contacting Honda (USA & Canada only)

---

Canada: Honda Canada Inc., Customer Relations Dept, 180 Honda Boulevard, Markham, Ontario L6C 0H9, telephone: (888) 946-6329, facsimile: (877) 939-0909.

E-mail: [honda\\_cr@ch.honda.com](mailto:honda_cr@ch.honda.com)

Please include the following information in your letter:

- name, address, and telephone number
- product model, year, and VIN
- date of purchase
- dealer name and address

We will likely ask your dealer to respond, or possibly acknowledge your comments directly.

# Your Honda Dealer (USA & Canada only)

---

Once you purchase your new Honda, get familiar with the organization of your Honda dealer so you can utilize the full range of services available.

The service department is there to perform regular maintenance and unexpected repairs. It has the latest available service information from Honda. The service department will also handle warranty inspections and repairs.

The parts department offers Honda Genuine Parts, Pro Honda products, Honda Accessories (USA only), and Honda accessories and products (Canada only). The same quality that went into your Honda can be found in Honda Genuine replacement parts. You'll also find comparable quality in the accessories and products available from the parts department.

The sales department offers the HondaCare® Protection Plan to extend almost all of your warranty coverage (USA only).

Your Honda dealer can inform you about competition and other driving events in your area. You'll also find that your dealer is a source of information about safety training available in your local area.

We're sure you'll be as pleased with the service your Honda dealer continues to provide after the sale as you are with the quality and dependability of your Honda.

# Reporting Safety Defects (Canada only)

---

If you believe that your vehicle has a defect which could cause a crash or could cause injury or death, you should immediately inform Honda Canada Inc. and you may also inform Transport Canada.

If Transport Canada receives similar complaints, it may open an investigation, and if it finds that a safety defect exists in a group of vehicles, it may lead to a recall and remedy campaign. However, Transport Canada cannot become involved in individual problems between you, your dealer, or Honda Canada Inc.

To contact Transport Canada's Defect Investigations and Recalls Division,

Mailing Address:

Transport Canada - ASFAD

330 Sparks Street

Ottawa, ON

K1A 0N5

Telephone: 819-994-3328 (Ottawa-Gatineau area or internationally)

Toll free: 1-800-333-0510 (in Canada)

Online:

(English Link:) [www.tc.canada.ca/recalls](http://www.tc.canada.ca/recalls)

(French Link:) [www.tc.canada.ca/rappels](http://www.tc.canada.ca/rappels)

For more information on reporting safety defects or about motor vehicle safety, go to <https://www.tc.gc.ca/roadsafety>.

# Index

---

## A

accessories .....	4
accessory power socket .....	89
age and size recommendation .....	2
air cleaner outer cover removal .....	154
air cleaner,	
filter .....	188
sub filter .....	191
air pressure, tire .....	217
American Honda, contacting .....	303
apparel, protective .....	101
appearance care .....	231
AT indicator .....	43
AT/MT switch .....	53
authorized manuals .....	300

## B

back mirror .....	83
battery .....	226
brake traction control system (BTCS) .....	120
brakes,	
fluid .....	210
pad wear .....	213
pedal inspection .....	214
break-in guidelines .....	289

## C

capacity, fuel .....	161
care, appearance .....	231
cargo,	
bed .....	91
limit .....	3, 107
catalytic converter .....	297

# Index

---

cleaning, appearance care .....	231
climbing hills .....	127
clip removal .....	157
color label .....	279
compartment,	
owner's manual .....	150
storage .....	84
tool kit .....	149
component fails .....	274
consumer information .....	299
coolant temperature gauge .....	36
courtesy light switches .....	57
crash, if you .....	270
crossing a hill .....	129
customer service .....	303

## D

dipstick .....	166, 176
doors .....	62
drive mode .....	120
drive mode indicator .....	44
drive mode select lever .....	49
driveshaft boots .....	225
driving,	
basic operations .....	111
clothing .....	2, 100, 101
precautions .....	122
preparing for .....	238
safety .....	2
through water .....	130

# Index

---

## E

electric power steering (EPS) .....	97
electric power steering (EPS) indicator .....	26
electronic brakeforce distribution (EBD) .....	96
emission control systems .....	290
engine,	
number .....	278
oil .....	163
pinging .....	160
starting .....	112
stopping .....	112
sub-transmission .....	176
won't start .....	250
environment .....	245

## F

final gear oil .....	180, 182
flat tire .....	258
fuel,	
fill cap .....	161
oxygenated .....	294
recommendation .....	160
tank capacity .....	161
fuses .....	264

## G

gap, spark plug .....	200, 283
gasohol .....	294
gasoline .....	160
gear position display .....	42

# Index

---

## H

headlight switch .....	47
heat shield cover removal .....	156
hill start assist (HSA) .....	55
hill,	
approaching a hill .....	127
crossing a hill .....	129
driving down a hill .....	128
driving up a hill .....	128
stopping on a hill .....	128
hour meter .....	38

## I

identification, vehicle .....	278
ignition switch .....	46
indicators,	
4WD drive mode indicator .....	44
AT indicator .....	43
clutch temperature indicator .....	27, 263
differential lock indicator .....	26
electric power steering (EPS) indicator .....	26
gear position display .....	42
high coolant temperature indicator .....	26, 261
hill start assist (HSA) indicator .....	27
<i>i</i> - 4WD indicator .....	27
LOW indicator .....	43
low oil pressure indicator .....	27
MT indicator .....	43
neutral indicator .....	26
PGM-FI malfunction indicator lamp (MIL) .....	26
reverse indicator .....	26
seat belt indicator .....	26
SPORT indicator .....	43

# Index

---

inspection, pre-drive ..... 104

## K

key,  
  lost ..... 271  
  number ..... 271  
kit, tool ..... 149

## L

labels, safety ..... 6  
limit, cargo ..... 3, 107  
loading guidelines ..... 108  
LOW indicator ..... 43  
low oil pressure indicator ..... 27  
lubrication,  
  engine oil ..... 164  
  final gear oil ..... 180, 182  
  points ..... 193

## M

maintenance,  
  importance ..... 135  
  maintenance minder indicator ..... 39, 139  
  precautions ..... 137  
  record ..... 143  
  safety ..... 136  
  schedule ..... 138  
manual, service ..... 300  
maximum weight limit ..... 3, 107  
modifications ..... 5  
MT indicator ..... 43  
multi-function display ..... 30



# Index

---

## N

neutral indicator .....	26
noise emission control systems .....	293
numbers, serial .....	278

## O

obstacles, avoiding .....	129
odometer .....	35
odometer display .....	34
oil,	
engine .....	164
final gear .....	180, 182
owner's manual storage .....	150
oxygenated fuels .....	294

## P

parking .....	121
passenger,	
handhold .....	82
no carrying in cargo bed .....	3
pedal, accelerator .....	197
petrol containing alcohol .....	296
pinging, engine .....	160
plug, spark .....	199
pre-drive inspection .....	104
problems, unexpected .....	248
protective apparel .....	101

## R

rear mudguard lid removal .....	155
removal, seat .....	153
reporting safety defects .....	306
reverse indicator .....	26

# Index

---

## S

safety,	
driving precautions .....	122
important precautions .....	137
labels .....	6
schedule, maintenance .....	138
seat,	
belts .....	75
removal .....	153
serial numbers .....	278
service,	
customer .....	303
manuals .....	300
warranty .....	302
shift paddle .....	59
shifting .....	48
side nets .....	64
spark arrester .....	202
spark knock .....	160
spark plugs .....	199
specifications .....	280
speedometer .....	30, 31
speedometer display .....	31
SPORT indicator .....	43
SPORT switch .....	54
starting,	
engine .....	112
troubleshooting .....	250
steering wheel adjustment lever .....	60
stopping engine .....	112
storage,	
owner's manual .....	150
SXS .....	241
under seat .....	88

# Index

---

sub-transmission .....	176
suspension,	
adjustment .....	205
damping, front .....	208
damping, rear .....	209
spring pre-load .....	206
switch,	
headlight .....	47
hill start assist (HSA) .....	55
ignition .....	46

## T

tailgate levers .....	91
tires,	
air pressure .....	217
flat .....	258
repairing .....	221
replacing .....	222
thread conditions .....	219, 220
tool kit .....	149
trailer hitch .....	95
trailer towing,	
operational guidelines .....	109
weight limits .....	109
transporting your Honda .....	240
tripmeter A/B .....	35
trouble, unexpected .....	247
troubleshooting, starting .....	250
turning, on level ground .....	126

## V

vehicle identification no. (VIN) .....	278
voltmeter .....	38

# Index

---

## W

warning labels .....	6
warranty,	
coverage .....	301
extended .....	301
service .....	302
washing your SXS .....	232
water, driving through .....	130
weight limit .....	107
wheel removal .....	259
winch switch .....	56

# Quick Reference

---

The following is a brief, but important collection of information you need to know about your Honda. You'll also find space to record important notes.

## How To Avoid Costly Repairs

The engine of your Honda can be the most expensive component to repair. Proper maintenance, especially the use of the recommended fluids and filters, prevents premature wear and damage.

Frequent causes of costly repairs are:

- Engine oil — insufficient quantity, improper oil.
- Air cleaner — dirty, leaking because of improper installation (poor seal).

Record important information on the following page:

# Quick Reference

---

Engine No.	
VIN	
Color Label	
Owner's Name	
Address	
City/State	
Phone	
Dealer's Name	
Address	
City/State	
Phone	
Service Mgr.	

# Quick Reference

---

Scheduled Maintenance	Initial: <b>100 miles (150 km)</b> Regular: every <b>600 miles (1,000 km)</b>
Pre-drive Inspection	Each time before you drive (page 104): oil level, coolant, fuel level, brake fluid, tires, wheels, driveshafts, steering gearbox and boots, underbody, suspension, lights, controls, tie-rod ends, cargo, seat belts, side nets, exhaust system
Fuel/Capacity	Unleaded gasoline, pump octane number 86 or higher <b>7.9 US gal (30 ℓ)</b>
Engine Oil/ Capacity, Sub-Transmission Oil/Capacity	API Service Classification SJ or higher except oils labeled as energy conserving or resource conserving on the circular API service label, SAE 10W-30, JASO T 903 standard MA, Pro Honda GN4 4-stroke oil (USA & Canada) or Honda 4-stroke oil, or an equivalent <b>engine oil</b> after draining: <b>5.8 US qt (5.5 ℓ)</b> after draining & engine oil filter change: <b>6.08 US qt (5.75 ℓ)</b> after draining, engine & DCT oil filters change: <b>6.1 US qt (5.8 ℓ)</b> <b>sub-transmission oil</b> after draining: <b>1.22 US qt (1.15 ℓ)</b>
Maximum Weight Capacity	USA - 49 states, Canada models: <b>1,649 lb (748 kg)</b> USA - 50 states [meets California] models: <b>1,248 lb (566 kg)</b> driver, passenger, all cargo and accessories

# Quick Reference







Tires	<p>Front: 27X9.00R14 NHS ARMSTRONG DIRT MASTER</p> <p>Rear: 27X11.00R14 NHS ARMSTRONG DIRT MASTER</p>
Tire Pressure (cold)	<p>Front: SXS1000M3P/M3D 18 psi (120 kPa) SXS1000M5P/M5D 20 psi (140 kPa)</p> <p>Rear: SXS1000M3P/M3D 18 psi (120 kPa) SXS1000M5P/M5D 20 psi (140 kPa)</p>
Spark Plugs	<p>standard: <b>LMAR7M-9S (NGK)</b></p>
Coolant	<p>Ethylene glycol antifreeze (silicate-free) for aluminum engines in 50/50 solution with Pro Honda HP Coolant or an equivalent distilled water</p>
Fuses	<p>main: <b>50 A</b></p> <p>circuit: SXS1000M3P/M5P <b>30 A x 2, 15 A x 3, 10 A x 4</b> SXS1000M3D Deluxe/M5D Deluxe <b>30 A x 2, 15 A x 3, 10 A x 5</b> SXS1000M3D Trail/M3D Forest/M5D Trail/M5D Forest <b>30 A x 3, 15 A x 3, 10 A x 5</b></p> <p>EPS: <b>40 A</b></p> <p>BTCS (SXS1000M3D Trail/M3D Forest/ M5D Trail/M5D Forest only): <b>40 A</b></p>




# Quick Reference

---

These symbols are used in Driver Controls section:

<b>SYMBOL</b>	<b>COMPONENT</b>	<b>SEE PAGE</b>
II	START — ignition switch	46
I	ON — ignition switch	46
O	OFF — ignition switch	46
	Low beam — headlight switch	47
	High beam — headlight switch	47
P, R, N, H, L	Park — Reverse — Neutral — High — Low — shift select lever	48
	ON — Hill Start Assist (HSA) switch	55
	OUT/IN — winch switch	56
	ON/OFF — front courtesy light switch	57
	ON/OFF — rear courtesy light switch	57
+	Up — right shift paddle	59
-	Down — left shift paddle	59

California Proposition 65 Warning

 **WARNING:** Operating, servicing and maintaining a passenger vehicle or off-highway motor vehicle can expose you to chemicals including engine exhaust, carbon monoxide, phthalates, and lead, which are known to the State of California to cause cancer and birth defects or other reproductive harm. To minimize exposure, avoid breathing exhaust, do not idle the engine except as necessary, service your vehicle in a well-ventilated area and wear gloves or wash your hands frequently when servicing your vehicle. For more information go to [www.P65Warnings.ca.gov/passenger-vehicle](http://www.P65Warnings.ca.gov/passenger-vehicle).

