



INSTALLATION INSTRUCTIONS

Accessory

HARD ROOF (5P)
0SR85-HL4-A50 (Black)
0SR85-HL4-G50 (Gray/Black)

Application

SXS1000M5D/M5P/M5LE

Publication No.

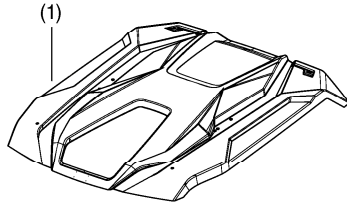
MII 17492

Issue Date

July 2020

Honda Dealer: Please give a copy of these instructions to your customer.

PARTS LIST



No.	Description	Qty
(1)	Roof	1
(2)	Installation Instruction URL	1

TOOLS AND SUPPLIES REQUIRED

- 4 mm hex wrench
- Torque wrench
- 10 mm open-end wrench
- Power drill
- 5/16" (8 mm) drill bit

TORQUE CHART

Tighten all screws, bolts, and nuts to their specified torque values. Refer to the Service Manual for the torque values of the removed parts.

Item	N·m	kgf·m	lbf·ft
6 mm screw and nut	5	0.5	4

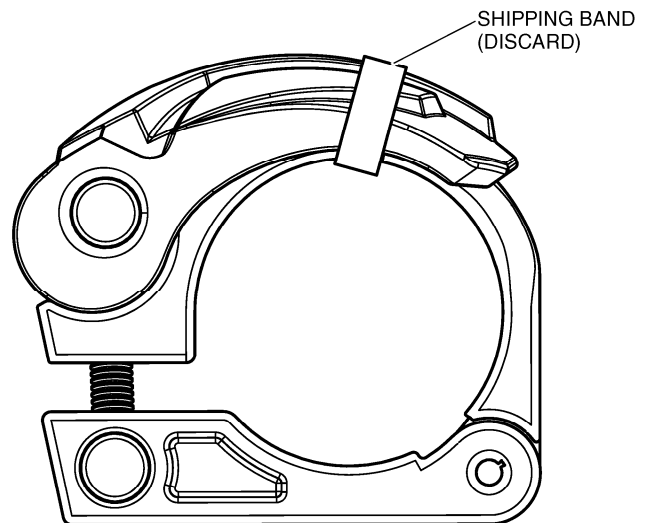
USE AND CARE INFORMATION

- Check the accessory mounts frequently and retighten if necessary.
- Replace this accessory with a new one if it is damaged or discolored excessively.
- When this accessory becomes dirty, rinse it thoroughly with cool water to remove loose dirt, then wipe with a clean cloth or sponge.
- Do not use a brush to clean this accessory as it may scratch the surface.
- Never use petroleum solvents such as gasoline, thinner, benzene, acid or alkaline cleaners.

INSTALLATION

NOTE:

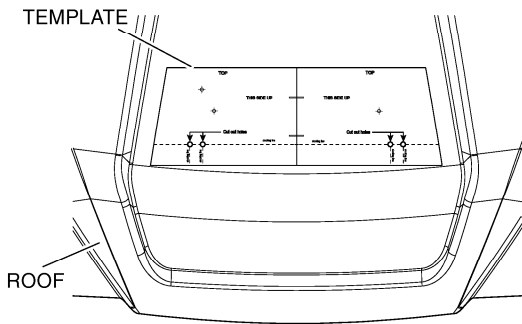
- Remove and discard the rubber shipping band from the cam lock before installation of this accessory.



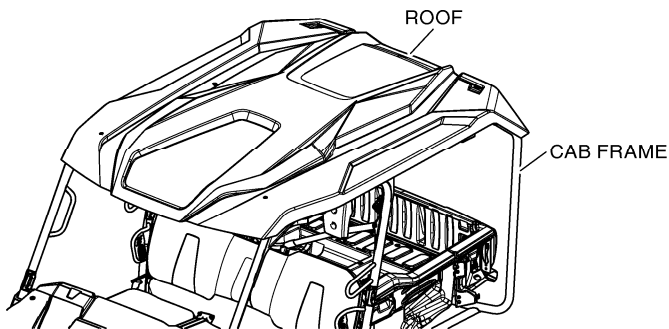
OPTIONAL: LED LIGHT BAR PRE-INSTALLATION

If you purchased the optional LED Light Bar (P/N 0SV31-HL4-301), complete the following steps to prepare the roof for later installation of this accessory.

- Print both template pages. Templates must be printed 'Actual Size'.
- Cut out both templates, including the holes. Tape both templates together along the joining edge.
- Place the template over the surface of the roof as shown, aligning the holes in the template with the holes in the roof.
- Insert a 6 x 20 mm screw into each of the four holes to secure the template to the surface of the roof.
- Drill a hole through the roof at each crosshair on the template using a 5/16" (8 mm) drill bit. Remove the template.



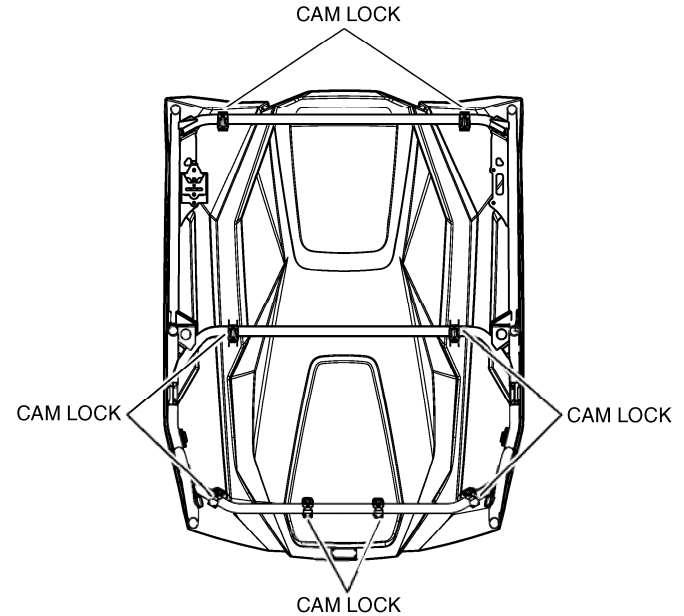
1. Open all eight clamps on the underside of the roof.
2. Place the roof on the top of the cab frame and align the clamps around the cab frame bars.



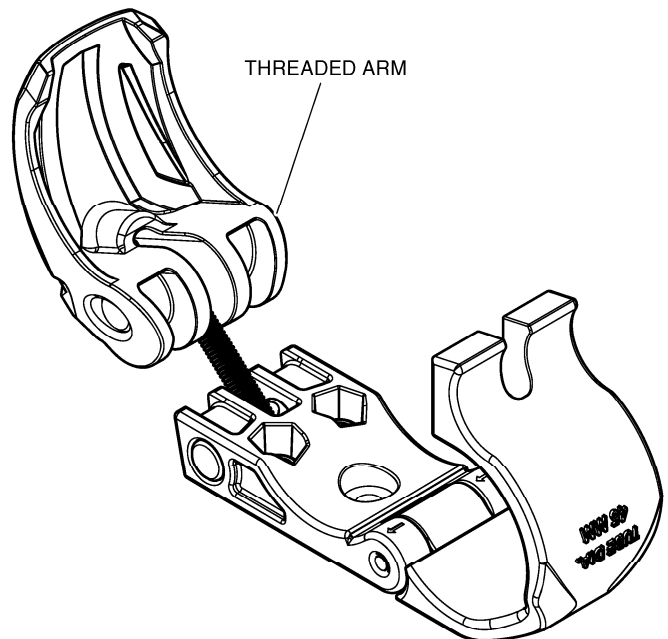
3. Check that the roof is centered over the cab frame. Starting with the middle, snap closed each of the eight cam locks.

Tighten all hardware to the specification in the Torque Chart on page 1.

- There should be no bulging near the base of the clamps or along the edges of the roof panel.
- If there is bulging, loosen the cam lock mounting hardware and adjust the fit as necessary.



4. Adjust cam lock tension by rotating the threaded arm clockwise to tighten, counter-clockwise to loosen.



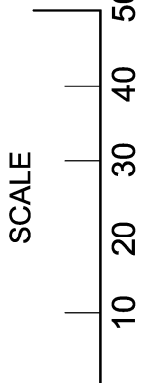
5. Tighten the hardware securing the cam locks to the roof to the torque value listed on page 1.

NOTICE

If you print this template from your local computer, make sure the printer settings do not "scale" or "shrink" the page.

Roof, Driver Side Drill Template B

50mm



TOP

THIS SIDE UP



Drill here.

Align with A

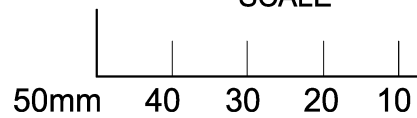
Cut out holes

Clocking line

Clocking line

Clocking line

SCALE



Roof, Passenger Side Drill Template A

SCALE



SCALE



NOTICE
 If you print this template from your local computer, make sure the printer settings do not "scale" or "shrink" the page.

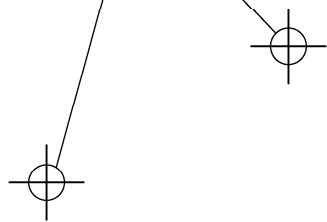
◀TEMPLATE▶



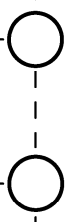
TOP

THIS SIDE UP

Drill here.



Cut out holes



Clocking line

Clocking line

Clocking line

Align with B

