



INSTALLATION INSTRUCTIONS

Accessory

HALF CARGO BOX
P/N 0SL52-HL6-A01

Application
SXS1000S2X
SXS1000S2R
SXS1000S4
SXS1000S4D
SXS520

Publication No.

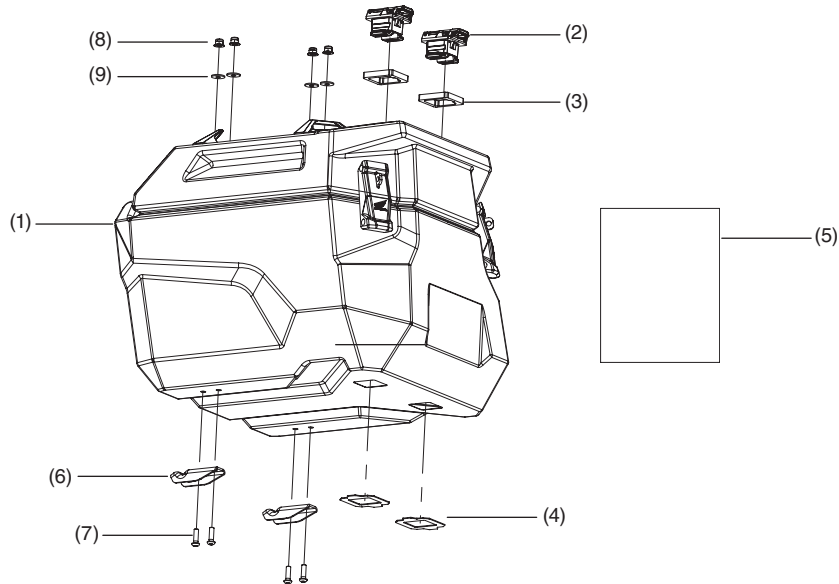
MII 16561

Issue Date

December 2021

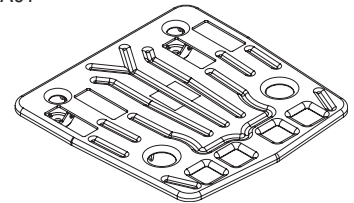
Honda Dealer: Please give a copy of these instructions to your customer.

PARTS LIST

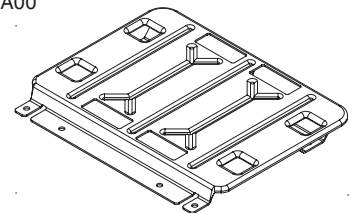


No.	Description	Qty
(1)	Cargo Box	1
(2)	Honda Pro-Connect® latch	2
(3)	Rubber Spacer	2
(4)	Snap Ring	2
(5)	Installation Instruction URL	1
(6)	Hook	2
(7)	6 × 20 mm Button Head screw	4
(8)	10 mm Hex Flange Nylon nut	4
(9)	Fender Washer BZ Plated M6	4

MOUNT PLATE
P/N 0SL41-HL6-A01
Sold Separately.



MOUNT PLATE
P/N 0SL41-HL5-A00
Sold Separately.



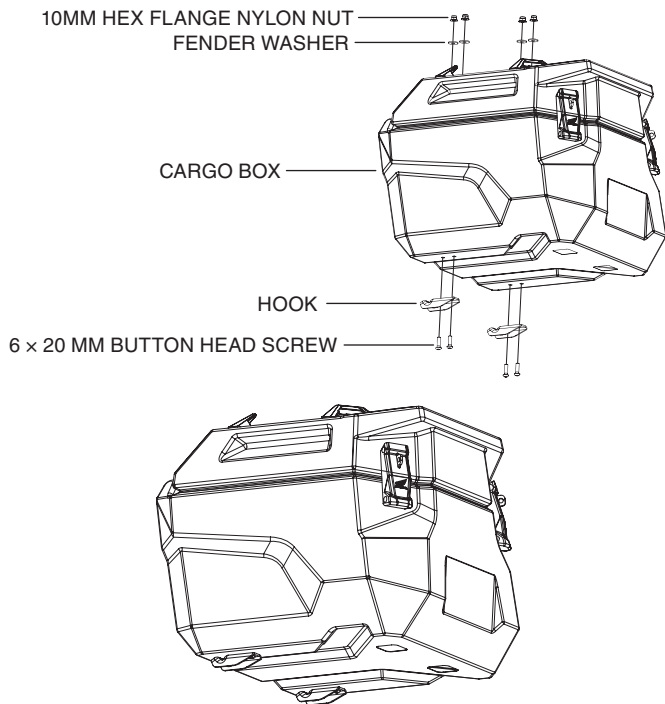
The cargo box requires one of the above mount plates for installation. See plate instructions for installation procedure.

NOTE:

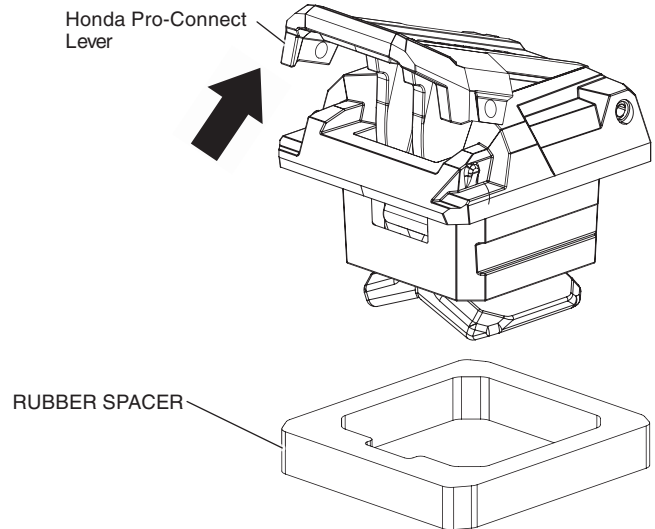
- Never exceed the cargo box limit of 50lb (22kg) and the maximum of 25lb (11kg) per item.
- Always make sure the hooks and Honda Pro-Connect® latches are properly engaged before riding.
- Make sure all cargo is secured before riding.
- Please read and follow all instructions and warnings supplied with the cargo box and cargo box mount plate.

INSTALLATION

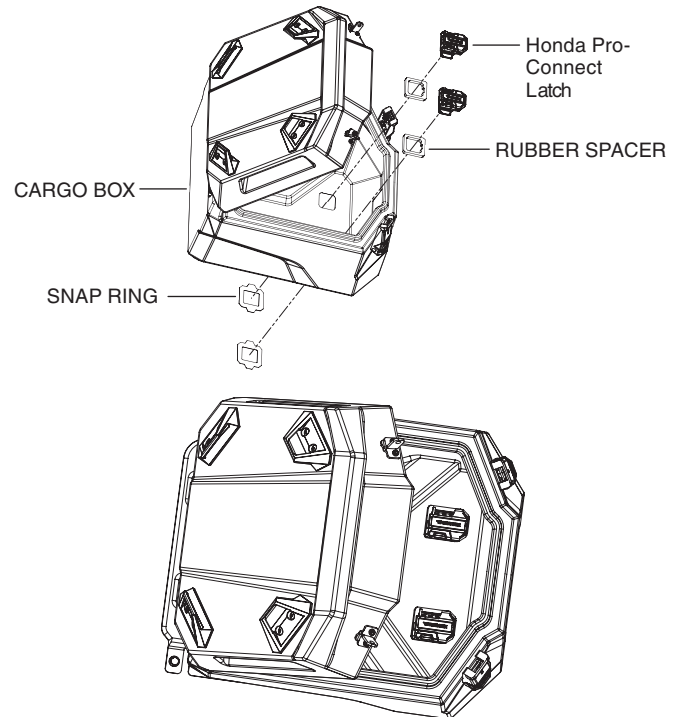
1. Install the two hooks with the four 6 × 20 mm Button Head screws (7), the four fender washers (9) and the four 10mm hex flange nylon nuts (8). The orientation of the two hooks must be as shown in the pictures below.



2. Lift the lever on each Honda Pro-Connect latch to unlock them and slide the Rubber Spacer around the Honda Pro-Connect latch. Insert the Honda Pro-Connect latch and spacer assembly into the cargo box square hole and secure the latches by installing a snap ring onto each latch from underneath the box.



Before and after latch installation on the box are shown on the two pictures below.



- To install the cargo box, align the hooks on the rectangular holes on the mounting plate and lift the lever on each Honda Pro-Connect latch to unlock them. Align the hooks in the rectangular holes and firmly push the cargo box to engage them. When the hooks are in place, each latch is also lined up with its corresponding hole in the mounting plate. Push the Honda Pro-Connect down on the plate and lock them by pressing down the Honda Pro-Connect levers. Verify that the cargo box feels solid, stable and make sure the hooks and the Honda Pro-Connect latches are well engaged.

The pictures below show the installation of the Half Cargo Box and the installed Honda Pro-Connect latch.

