



INSTALLATION INSTRUCTIONS

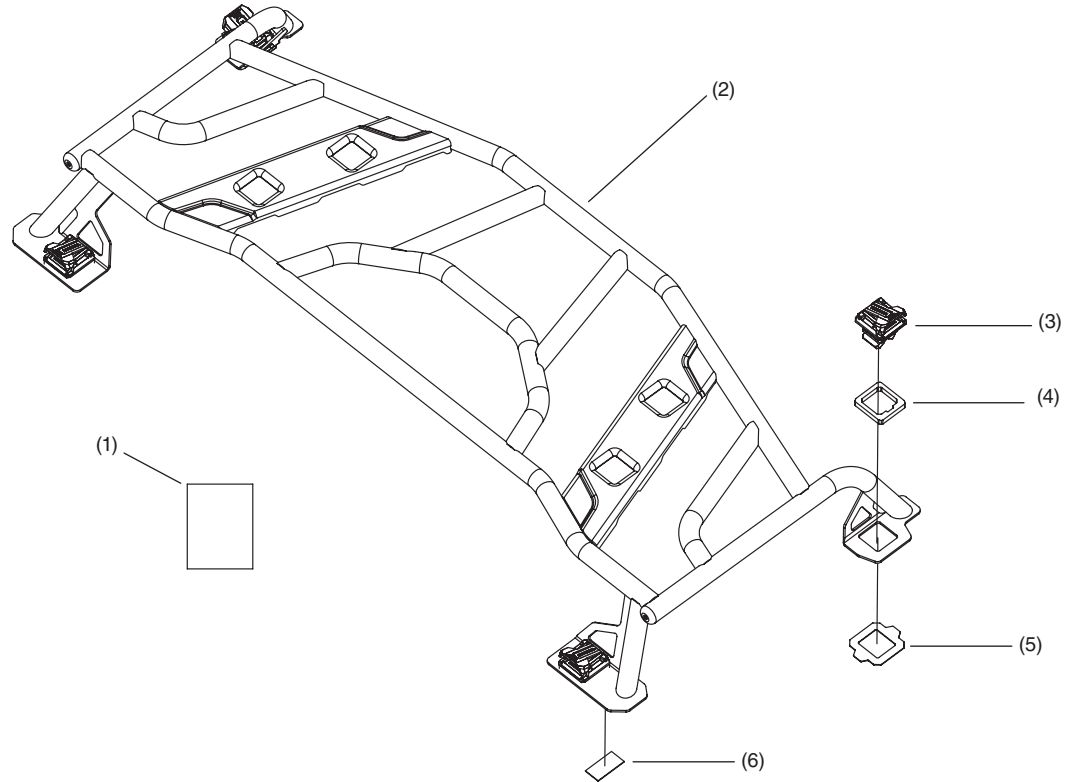
Accessory
BED RACK
P/N 0SE57-HL5-A00

Application
SXS520M

Publication No.
MII 17623
Issue Date
November 2021

Honda Dealer: Please give a copy of these instructions to your customer.

PARTS LIST



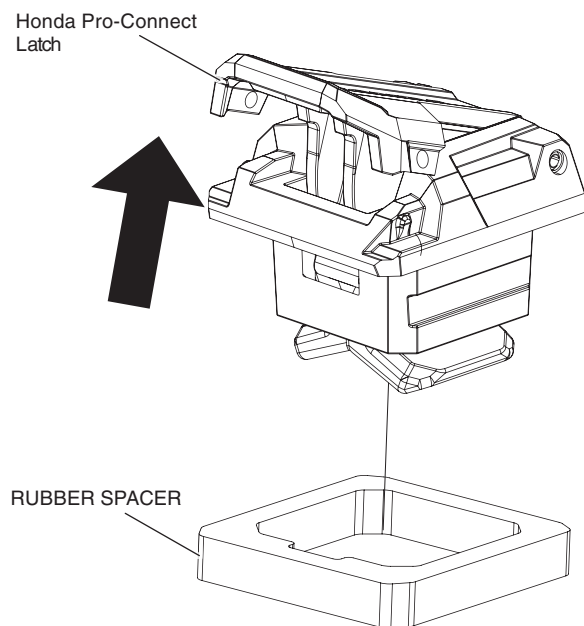
| No. | Description | Qty |
|-----|-------------------------------|-----|
| (1) | Installation Instructions URL | 1 |
| (2) | Bed Rack | 1 |
| (3) | Honda Pro-Connect® latch | 4 |
| (4) | Rubber Spacer | 4 |
| (5) | Snap Ring | 4 |
| (6) | Self-Adhesive rubber strips | 4 |

NOTE:

- **Maximum weight capacity of the bed rack: 100 lbs.**
- **Do not exceed weight capacity.**
- **Make sure all cargo is properly secured on the bed rack before SXS is in motion.**
- **Never allow anyone to sit or ride on the bed rack at any time.**
- **Never use the bed rack to tow something with the vehicle.**
- **Always make sure the Honda Pro-Connect® latches are properly engaged before riding.**
- **Please read and follow all instructions and warnings supplied with the bed rack.**

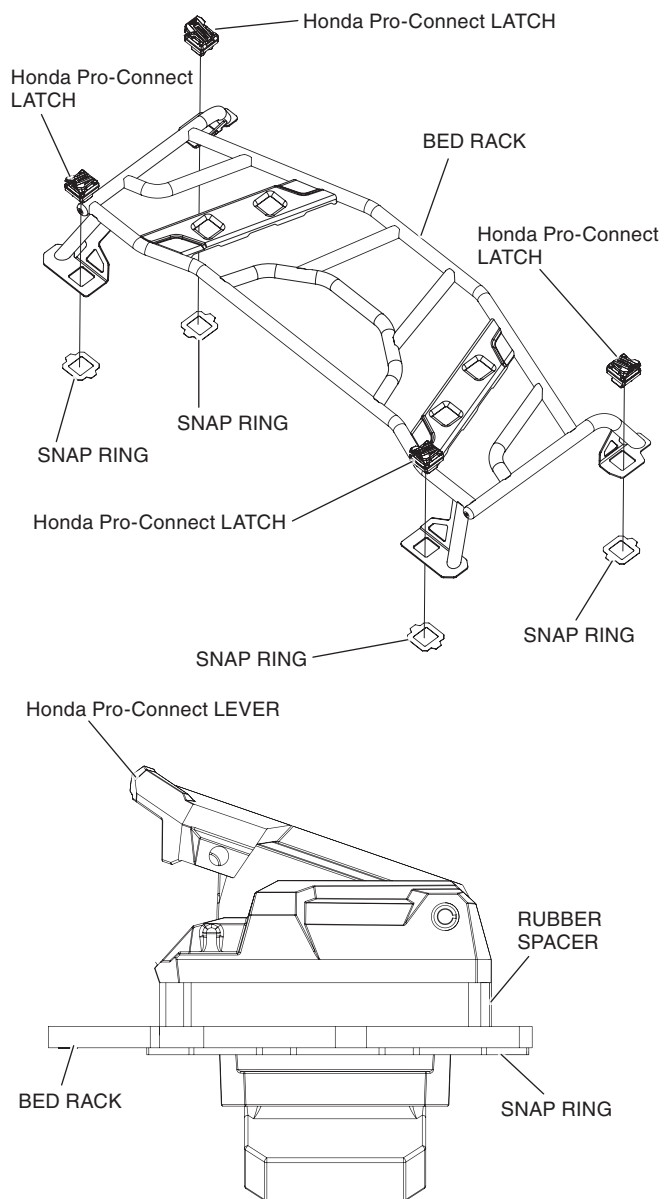
INSTALLATION

1. Lift the lever on each Honda Pro-Connect latch to unlock them and install the Rubber Spacer.



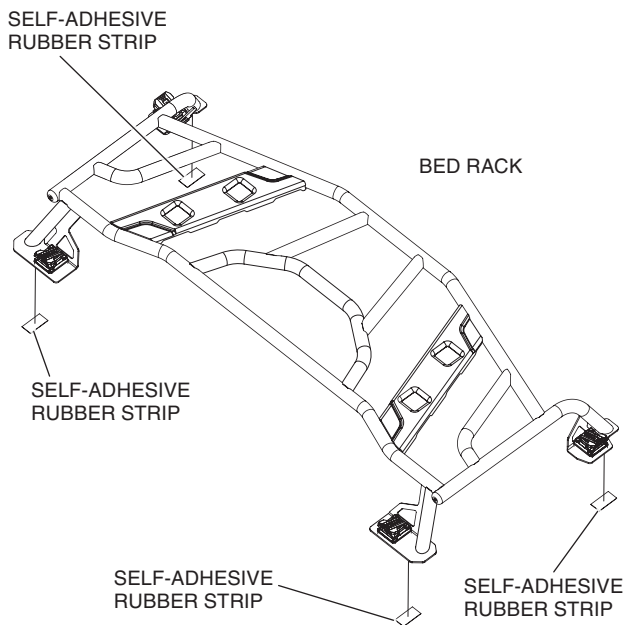
2. Insert the assembled Honda Pro-Connect latch with the rubber spacers in the Bed Rack installation square holes and secure them by using the Snap Rings.

NOTE: Pay attention to the assembly direction of the Honda Pro-Connect latch to ensure proper fitment. They must be installed as shown on the picture below.



3. Remove the film from the self-adhesive rubber strips and stick them to the Bed Rack in the position shown in the view below.

NOTE: Clean the mating surface of the bed rail with alcohol before installing rubber strips.



4. Make sure the Honda Pro-Connect latch levers are in the open position then locate the Bed Rack onto the Vehicle Bed by aligning each Honda Pro-Connect latch with his corresponding bed installation hole. Lock the Bed Rack in place by pressing down the four Honda Pro-Connect latch levers. To remove the Bed Rack from the vehicle, just lift the lever from each Honda Pro-Connect latch and freely remove the accessory.

