



INSTALLATION INSTRUCTIONS

Accessory

RECOIL STARTER KIT
P/N 08U70-HR3-A40/A60

Application

A40: TRX420TM1/TE1/FM1/
FM2/FE1, TRX500FM1/
FM2/FE1/FE2
A60: TRX420FA1/FA2

Publication No.

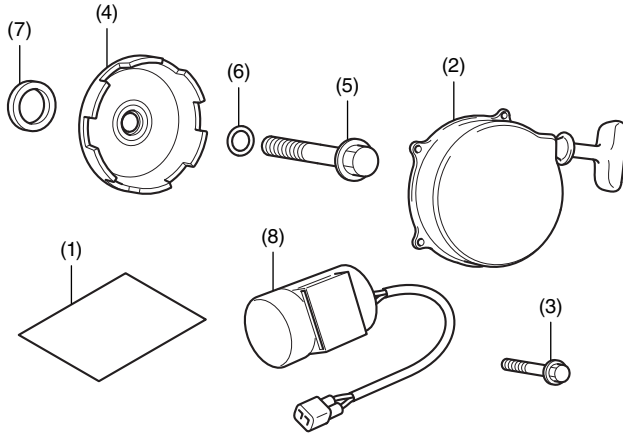
MII 14473

Issue Date

Revised July 2015

Honda Dealer: Please give a copy of these instructions to your customer.

PARTS LIST



No.	Description	Qty
(1)	Installation Instruction URL	1
(2)	Recoil starter	1
(3)	6 mm flange bolt	4
(4)	Recoil pulley comp.	1
(5)	12 mm flange bolt	1
(6)	O-Ring	1
(7)	Oil seal	1
(8)	Condenser unit	1

TOOLS AND SUPPLIES REQUIRED

Socket (10 and 17 mm)

Ratchet

Ratchet extension

Recoil pulley holder (T/N: 075MB-HM70100)

Engine oil

Torque wrench

TORQUE CHART

Tighten all screws, bolts, and nuts to their specified torque values. Refer to the Service Manual for the torque values of the removed parts.

Item	N-m	kgf-m	lbf-ft
6 mm flange bolt	12	1.2	9
12 mm flange bolt	108	11	80

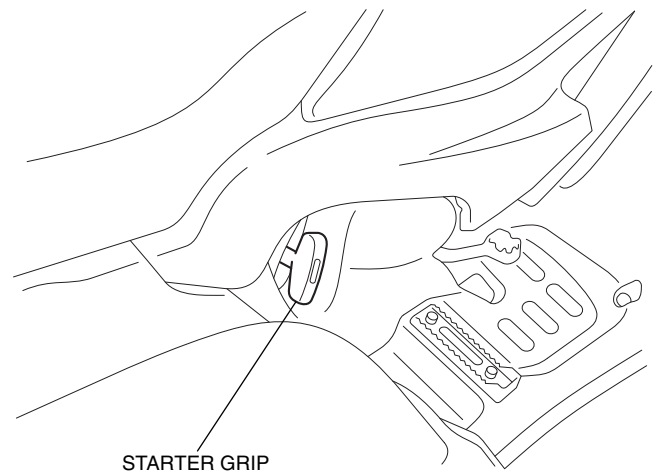
USE AND CARE INFORMATION

- Check the flange bolts periodically for the proper torque.
- Do not pull the recoil starter grip while the engine is running.
- If the starter grip does not return smoothly (because of dirt in the assembly), see your Honda dealer.
- The recoil starter is used to start the engine when the battery is low.

To operate the recoil starter:

1. Turn the ignition switch to ON and engine stop switch to RUN.
2. Check that the transmission is in neutral.
3. Grasp the starter grip firmly, then pull it out slowly approximately 100 mm (4 in).
4. Pull the grip up briskly and fully.
5. After the engine starts, allow the starter grip to recoil slowly and then let go.

<Right side>



INSTALLATION

▲ CAUTION

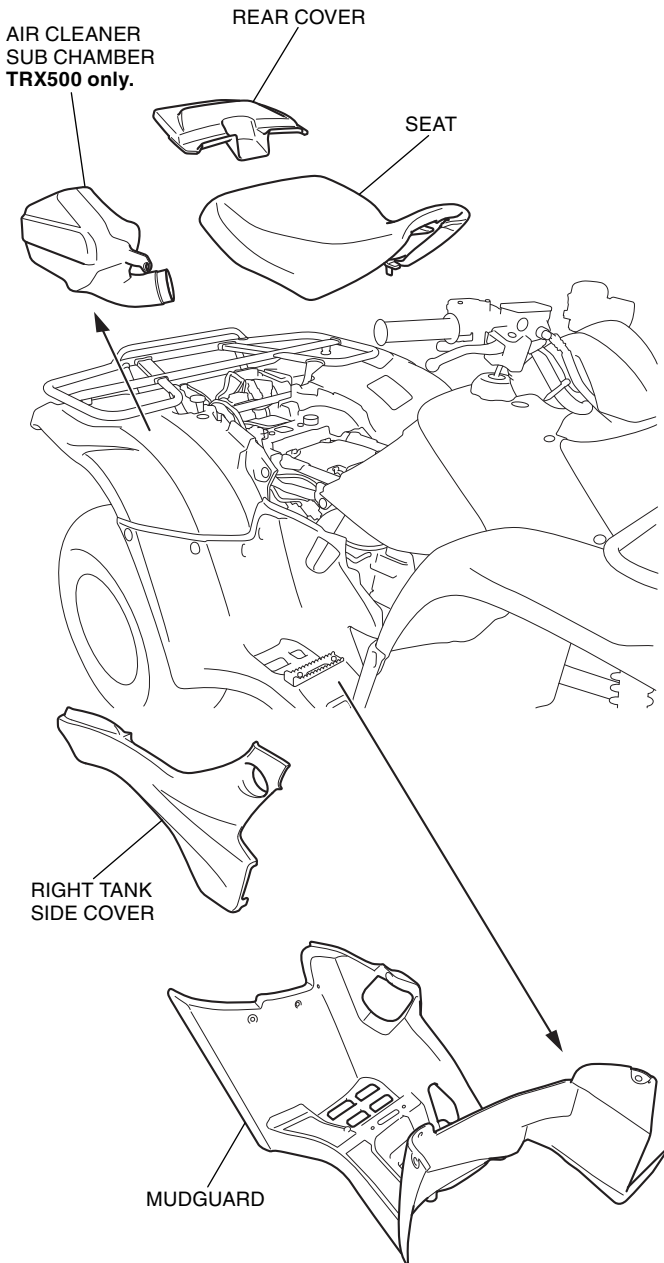
- To prevent burns, allow the engine, exhaust system, radiator, etc. to cool before installing the accessory.

NOTE:

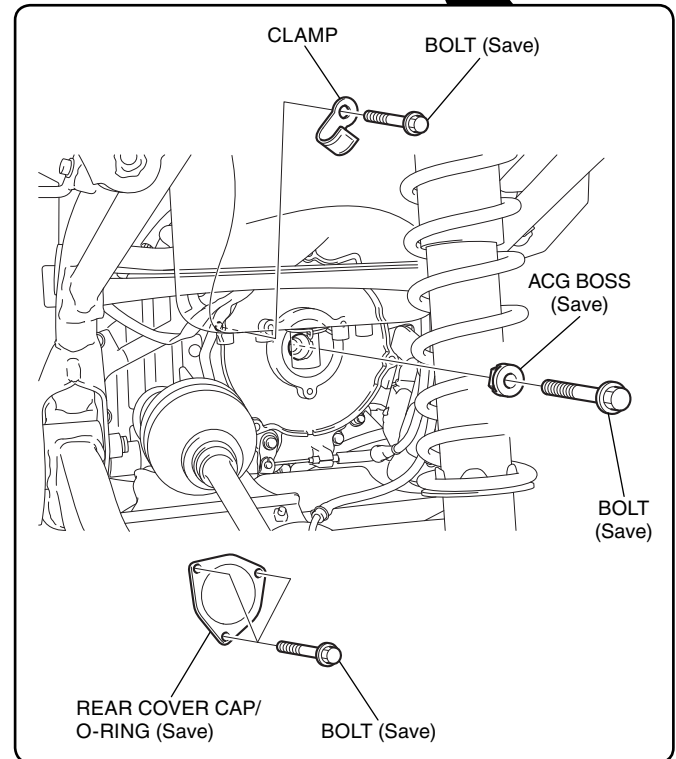
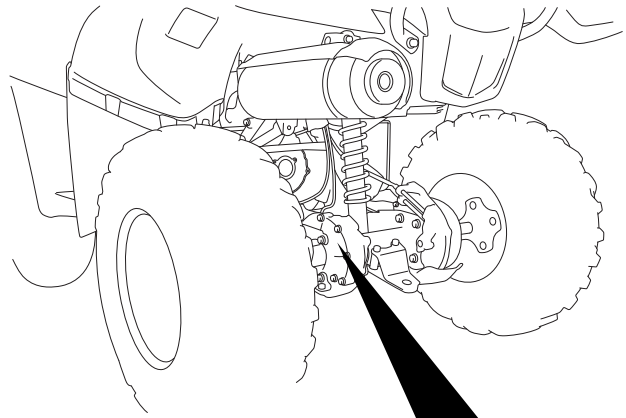
- Disconnect the negative (-) cable from the battery before installing this accessory.
- The memories of the tripmeter and clock will be erased when you disconnect the battery. Reset the clock after reconnecting the battery.

1. Refer to the model specific Service Manual to remove the indicated parts.

<TRX500 SHOWN>

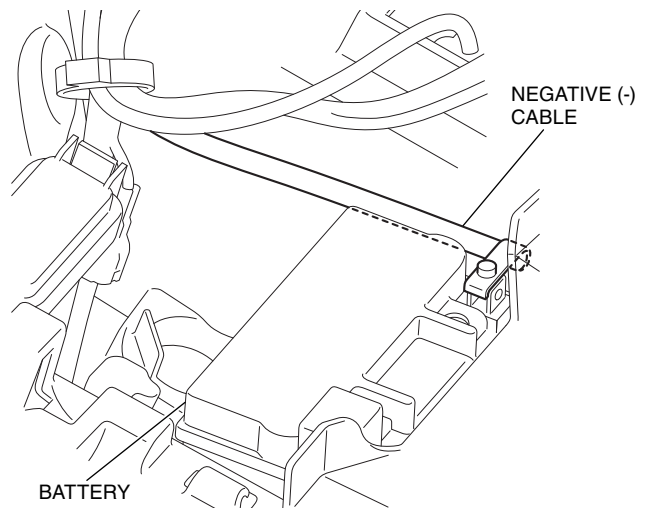


2. Refer to the Service Manual to remove the parts.

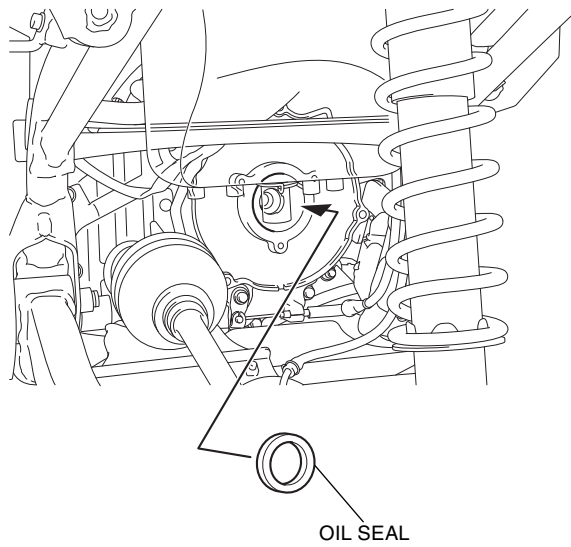


3. Disconnect the negative (-) cable from the battery.

<Inside the battery box>

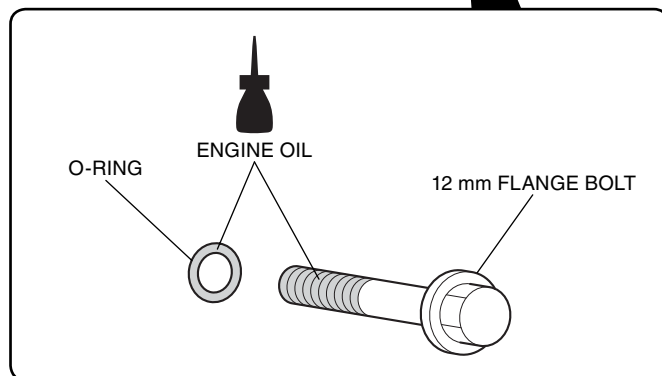
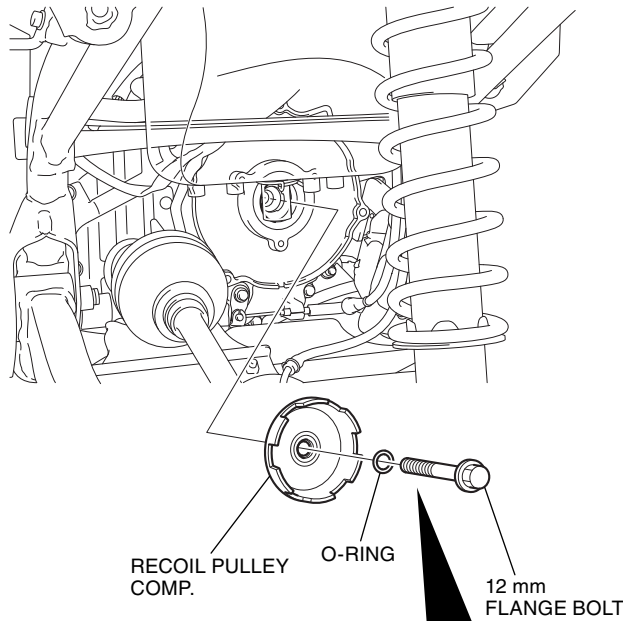


4. Install the oil seal as shown.

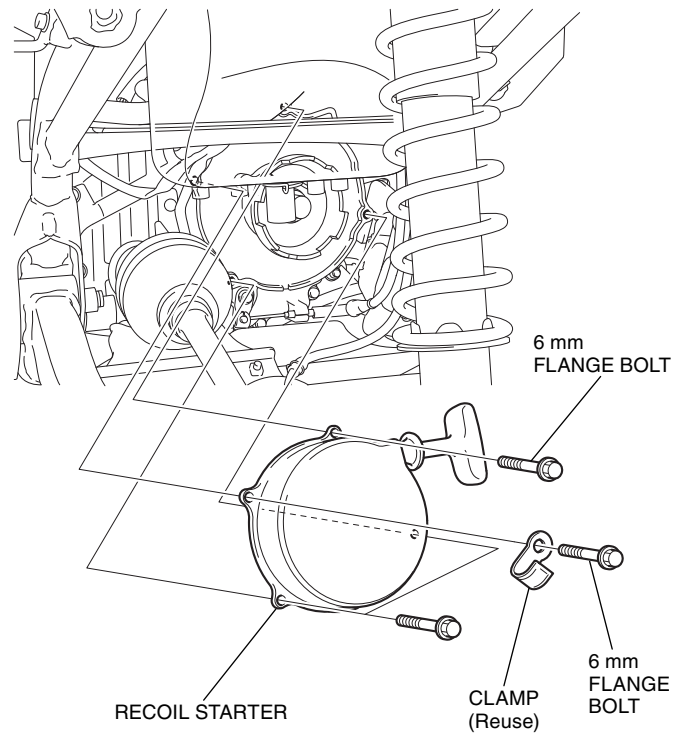


5. Install the recoil pulley as shown. Use the special tool to hold the recoil pulley while torquing the flange bolt.

- **NOTE:** The recoil pulley is keyed to the flywheel. Be sure to properly index the recoil pulley to the flywheel before installing the o-ring and bolt.

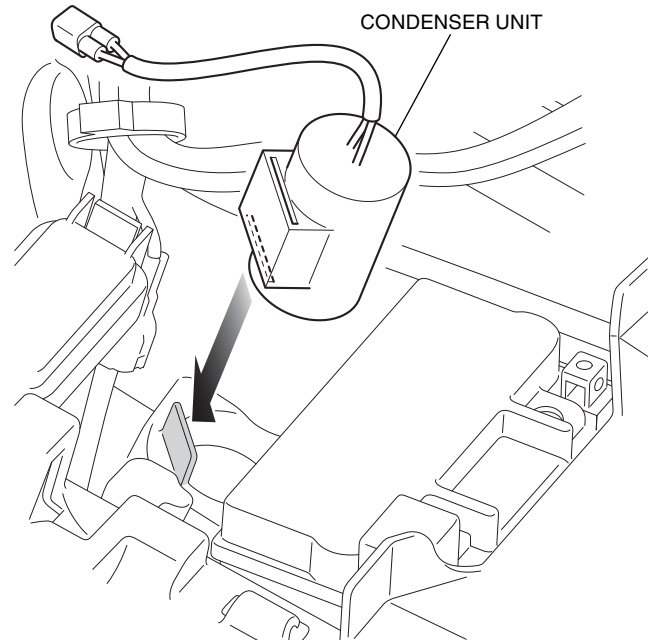


6. Install the recoil starter as shown.

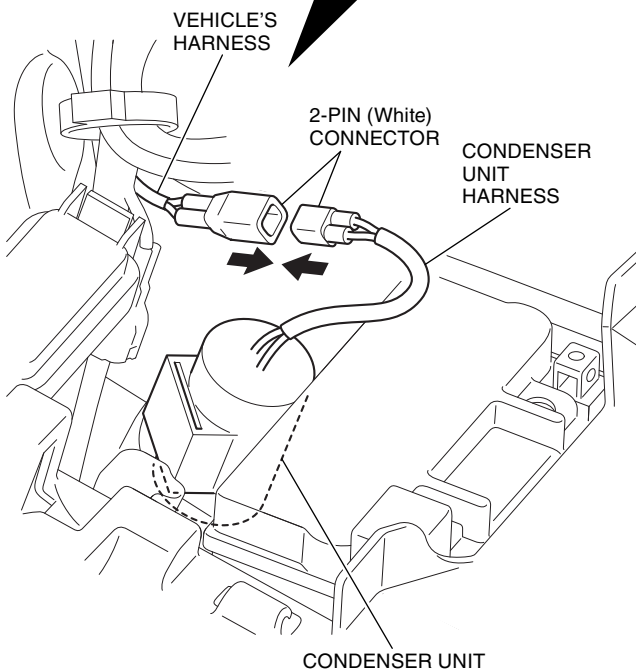
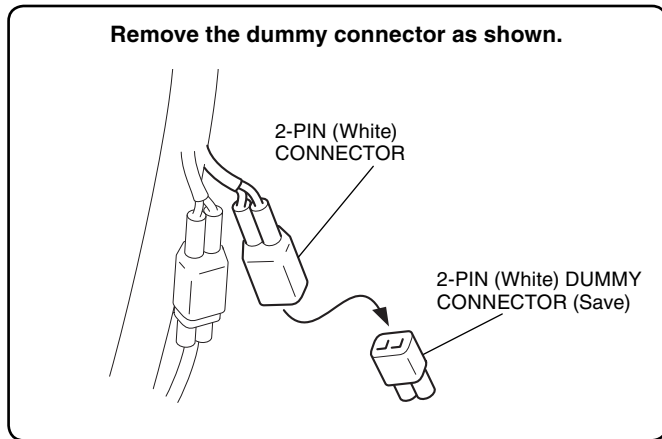


7. Install the condenser unit as shown.

<Inside the battery box>



8. Connect the condenser unit harness as shown.



OPERATION CHECKS AFTER INSTALLATION

1. Check that the transmission is in neutral.
 2. Check that the negative (-) battery cable is disconnected from the battery.
 3. Turn the ignition switch ON.
 4. Hold the recoil starter grip firmly and pull it vigorously to start the engine.
 5. Stop the engine. Turn the ignition switch OFF and reconnect the negative (-) battery cable securely.
- **Note that the above procedure is for checking functions after installation only. Normally, use the recoil starter with the battery cables connected.**
9. Reinstall the removed ATV parts.