

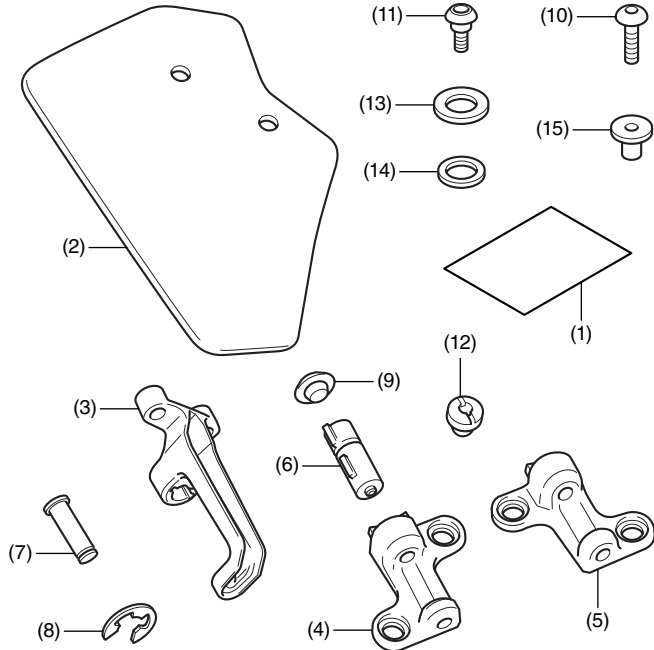
HONDA

INSTALLATION INSTRUCTIONS

Accessory	Application	Publication No.
UPPER AIR DEFLECTOR P/N 08R72-MKC-A01	GL1800/D/DA GL1800B/BD	MII 16426
		Issue Date
		January 2018

Honda Dealer: Please give a copy of these instructions to your customer.

PARTS LIST



No.	Description	Qty
(1)	Installation instructions URL	1
(2)	Air deflector A	2
(3)	Air deflector bracket A	2
(4)	Right air deflector bracket B	1
(5)	Left air deflector bracket B	1
(6)	Damper	2
(7)	Pin	2
(8)	E-ring	2
(9)	Plug	2
(10)	5 mm screw (long)	4
(11)	5 mm screw (short)	4
(12)	Special nut	4
(13)	Washer	4
(14)	Rubber washer	4
(15)	Collar	4

TOOLS AND SUPPLIES REQUIRED

- Hex wrench (5 mm)
- Flat-tip screwdriver
- Long nose pliers
- Electric drill
- Drill bit (5 mm)
- File
- Masking tape
- Torque wrench

TORQUE CHART

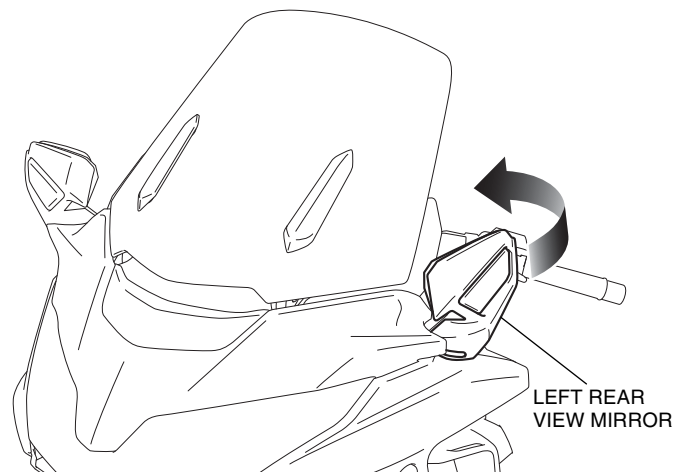
Tighten all screws, bolts, and nuts to their specified torque values. Refer to the Service Manual for the torque values of the removed parts.

Item	N-m	kgf-m	lbf-ft
5 mm screw	5.2	0.5	3.8
Special nut	5.2	0.5	3.8

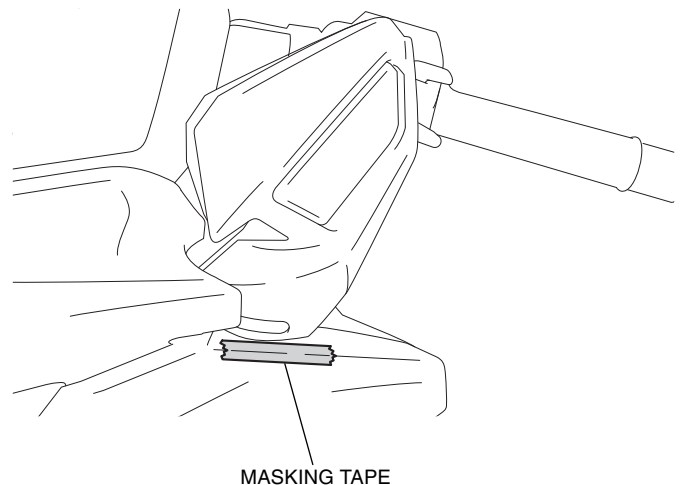
INSTALLATION

1. Fold down the left rear view mirror backward as shown.

<Left side>

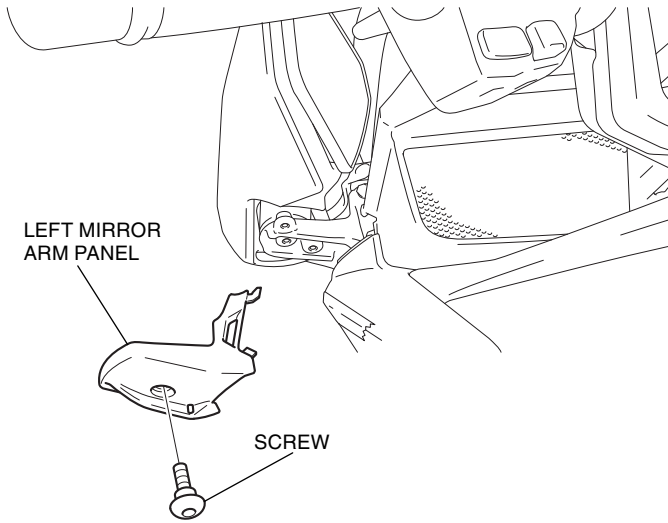


2. Attach masking tape as shown.



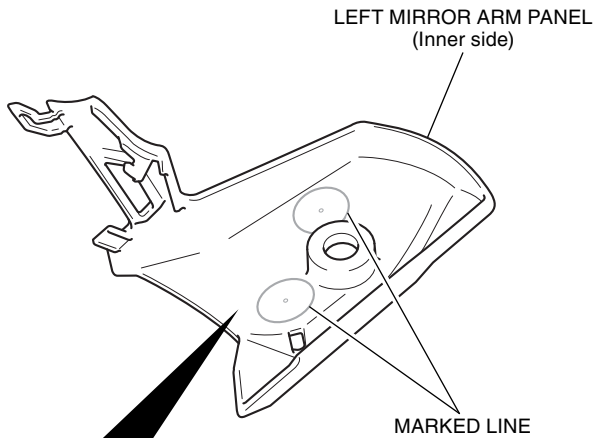
3. Remove the left mirror arm panel as shown.

<Left side>

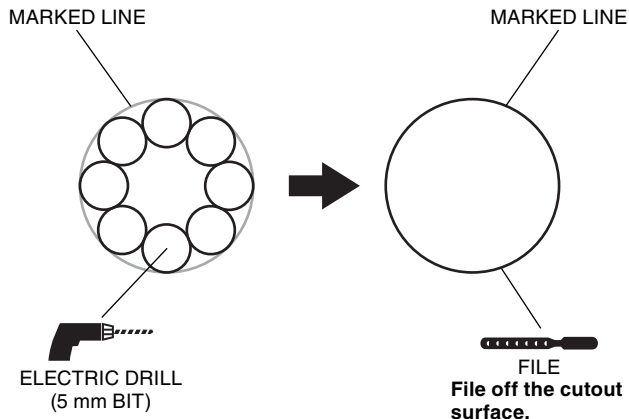


4. Drill at the marked lines of the left mirror arm panel as shown.

- Remove any burrs from the edge of the hole.

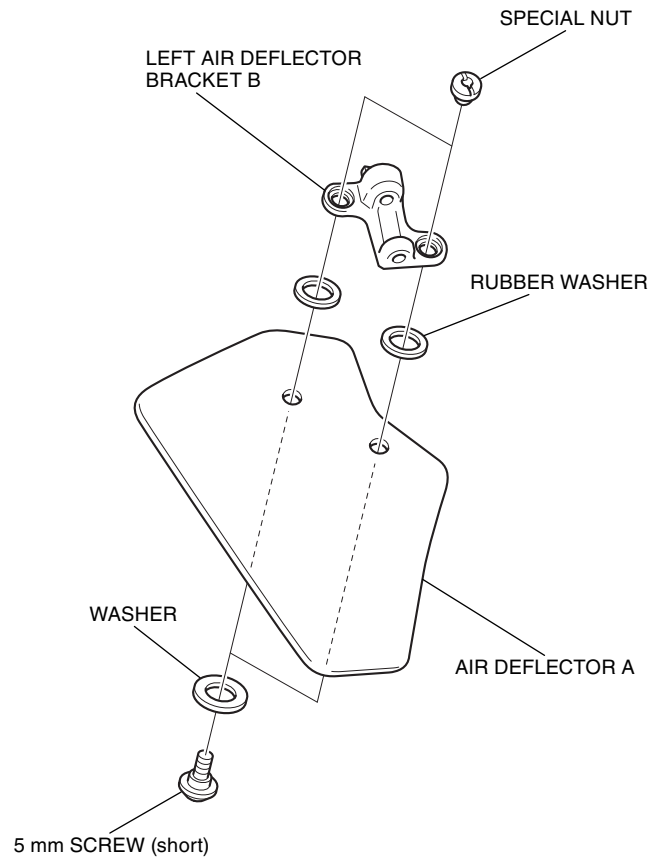


After cutting, finish with a file as shown.

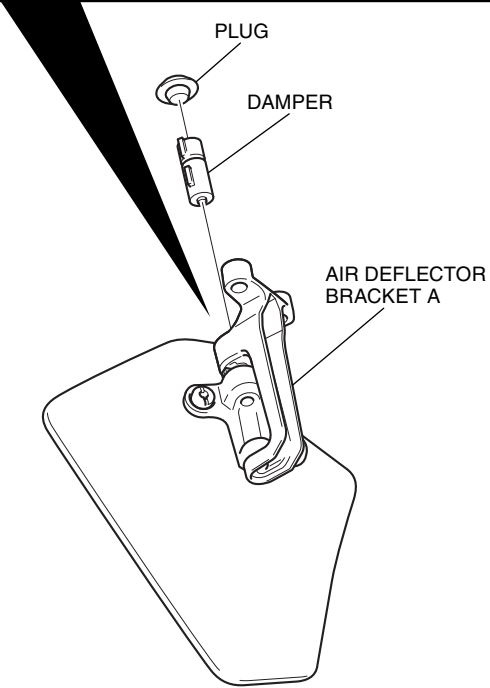
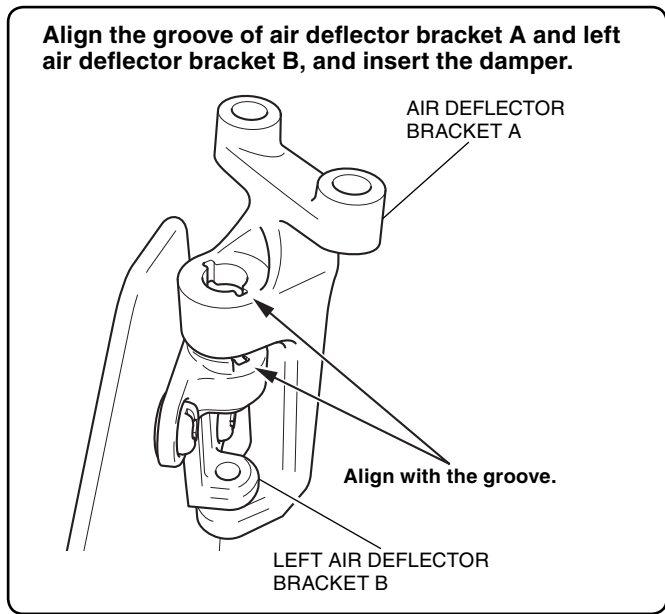


5. Install the left mirror arm panel in the reverse order of removal.

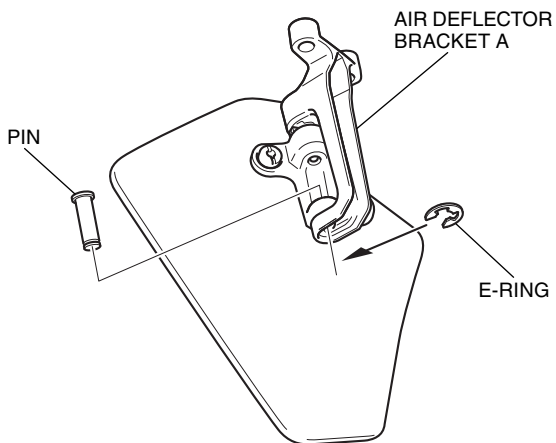
6. Install the air deflector A as shown.



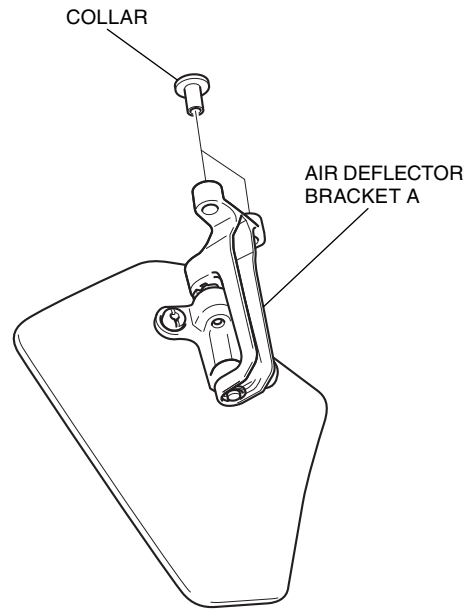
7. Install the air deflector bracket A as shown.



8. Install the pin as shown.

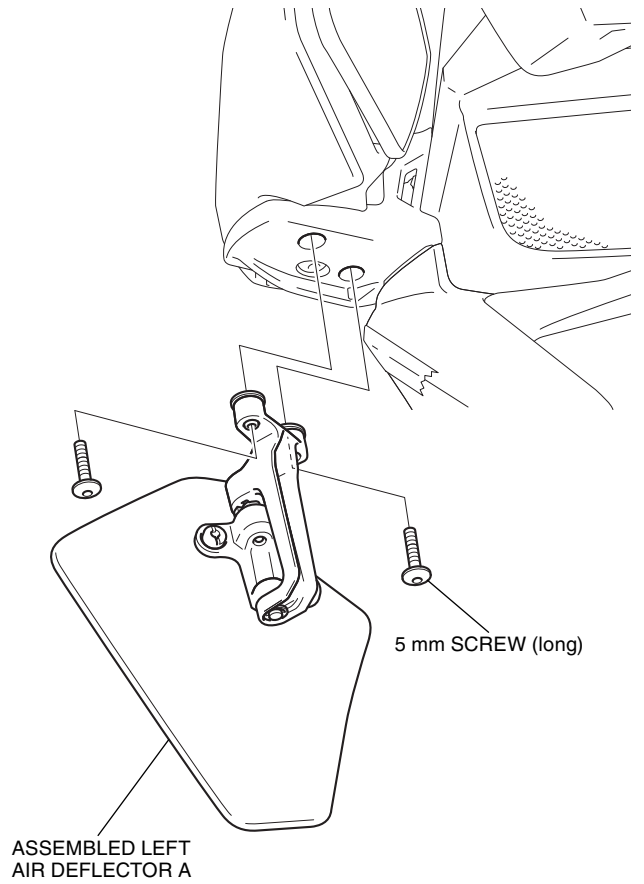


9. Install the collars as shown.



10. Install the assembled left air deflector A as shown.

<Left side>



11. Remove the masking tape.

12. Return the left rear view mirror to its original position.

13. Install the right side in the same manner as the left side.