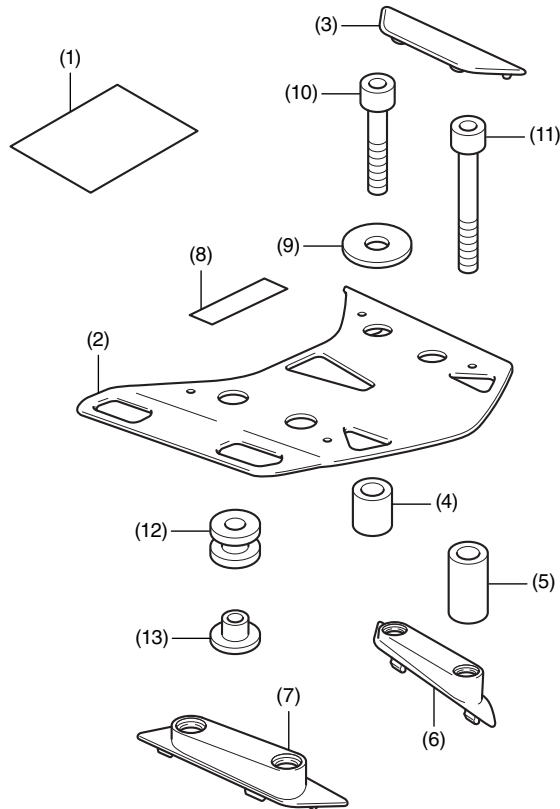


Accessory	Application	Publication No.
REAR CARRIER P/N 08L72-MKC-A10	GL1800/D/DA GL1800B/BD	MII 16426
		Issue Date
		January 2018

Honda Dealer: Please give a copy of these instructions to your customer.

PARTS LIST



No.	Description	Qty
(1)	Installation Instructions URL	1
(2)	Rear carrier	1
(3)	Carrier cover	2
(4)	Collar (short)	2
(5)	Collar (long)	2
(6)	Right cover	1
(7)	Left cover	1
(8)	Label	1
(9)	Washer	4
(10)	8 mm socket bolt (short)	2
(11)	8 mm socket bolt (long)	2
(12)	Grommet	4
(13)	Flange collar	4

TOOLS AND SUPPLIES REQUIRED

- Hex wrench (6 mm)
- Ruler
- Scissors
- Isopropyl alcohol
- Shop towel
- Torque wrench

TORQUE CHART

Tighten all screws, bolts, and nuts to their specified torque values. Refer to the Service Manual for the torque values of the removed parts.

Item	N-m	kgf-m	lbf-ft
8 mm socket bolt	22	2.2	16

MAXIMUM LOADING CAPACITY

- The weight of the cargo must not exceed the following maximum loading capacity:

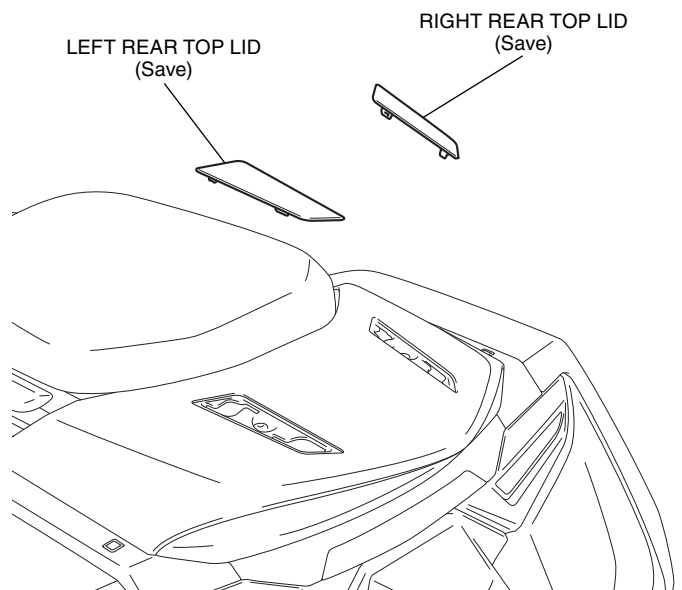
Maximum Loading Capacity	
Rear carrier	6.6 lb (3.0 kg)

INSTALLATION

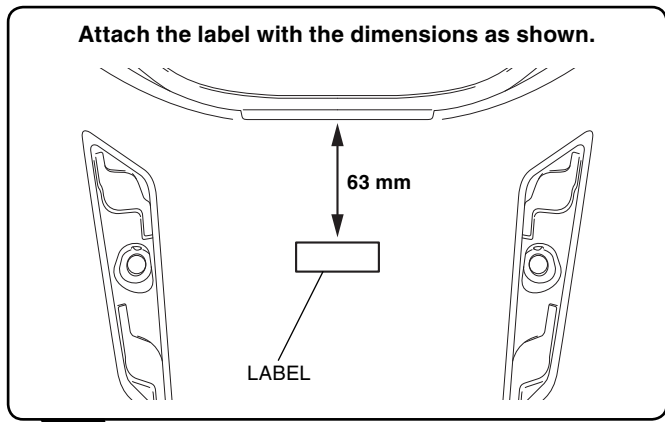
NOTE:

- Heat the bonding surfaces with a hair dryer if the ambient air temperature is below 70°F (21°C).
- The adhesive reaches full strength in 72 hours. Wait at least 24 hours before riding your motorcycle.

1. Remove the right and left rear top lid as shown.

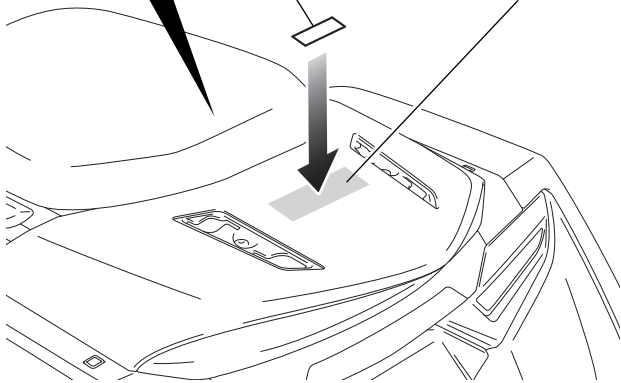


2. Attach the label as shown.

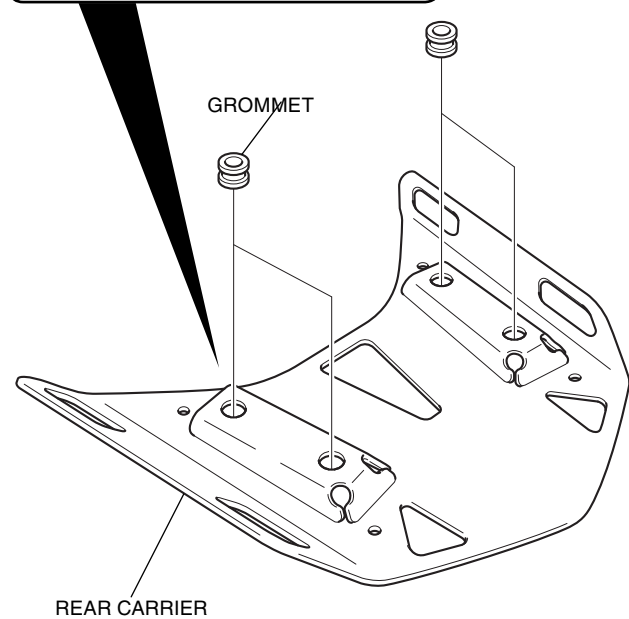
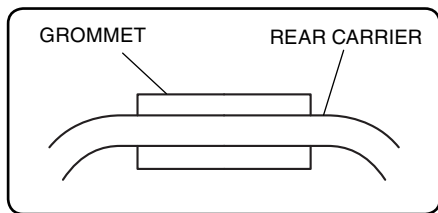


LABEL
Remove the adhesive backing before attaching.

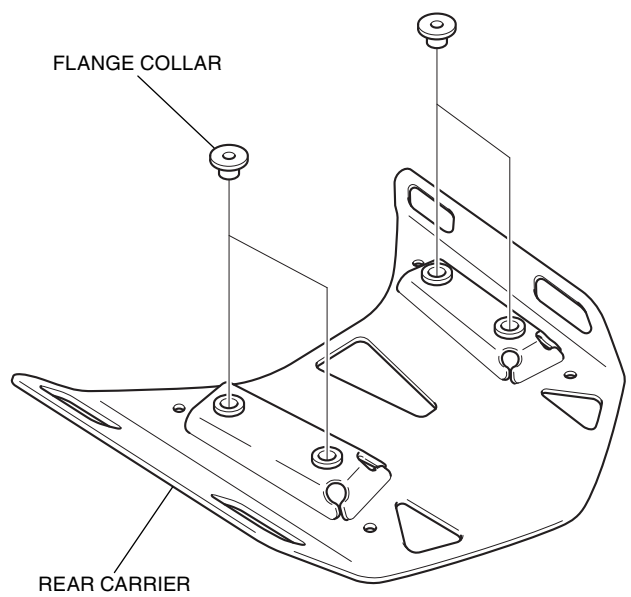
ISOPROPYL ALCOHOL
Thoroughly clean the area where the label will be attached.



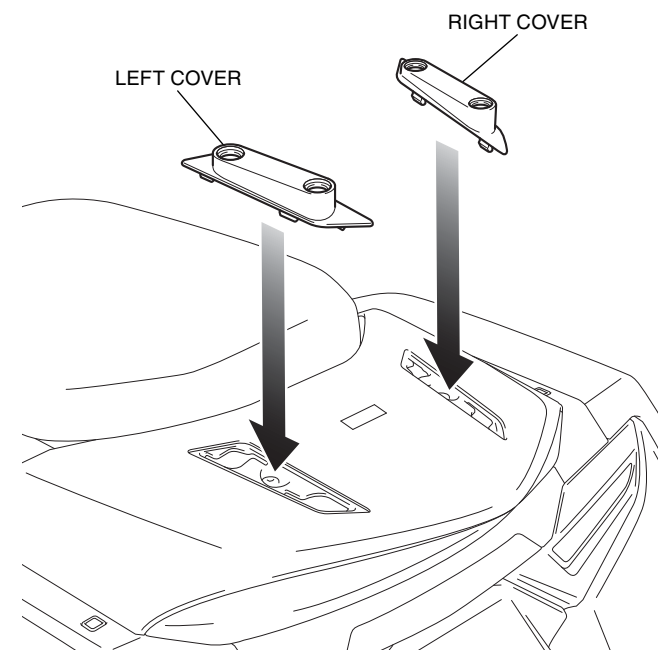
3. Install the grommets as shown.



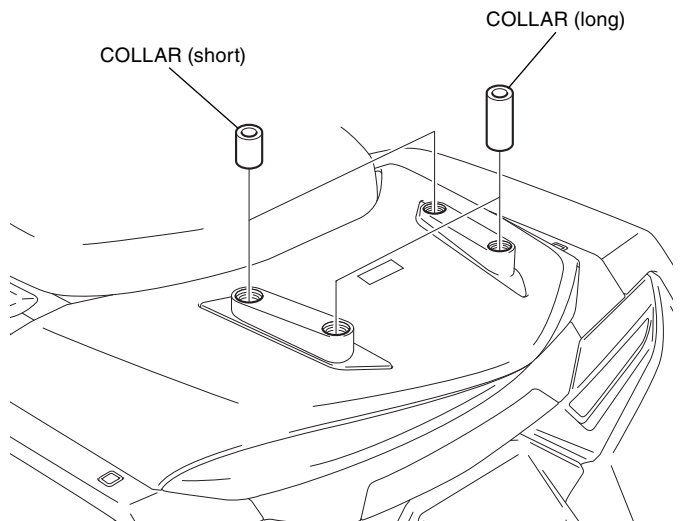
4. Install the flange collars as shown.



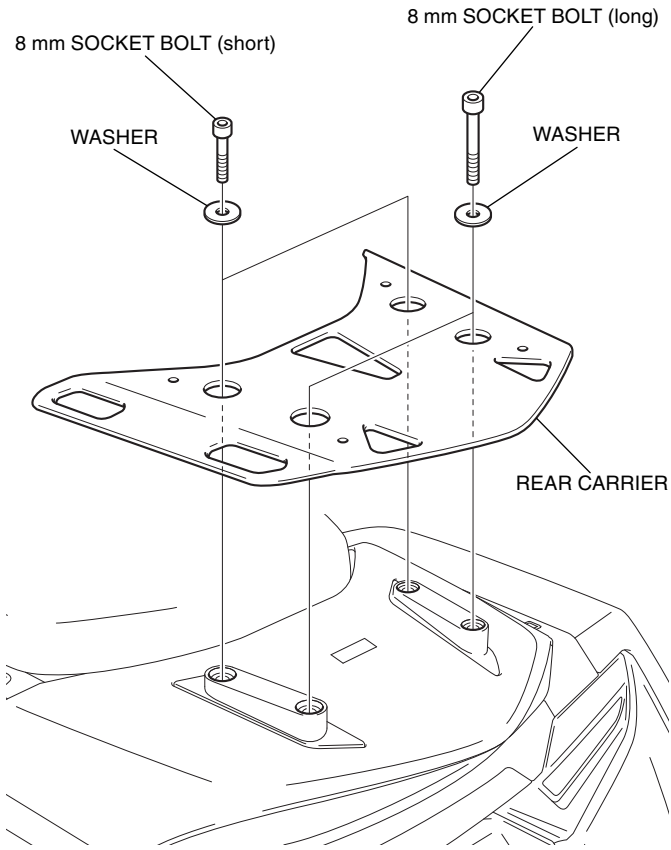
5. Install the right and left cover as shown.



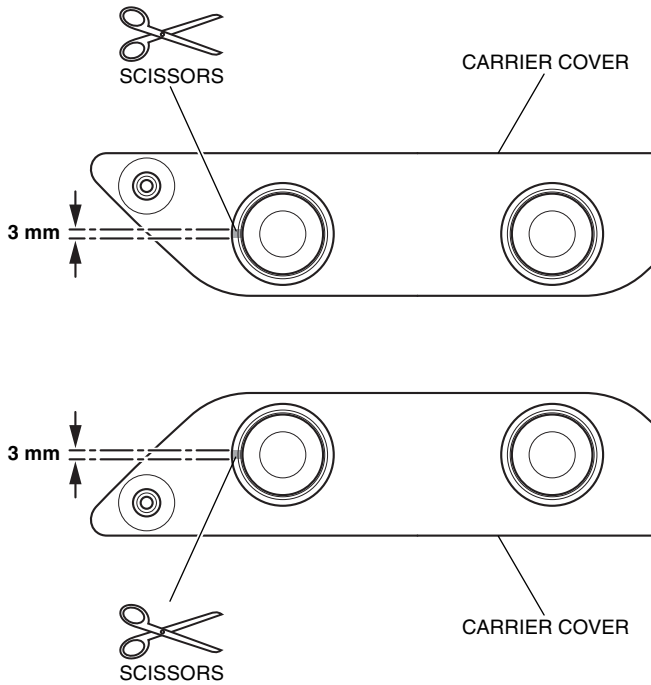
6. Install the collars as shown.



7. Install the rear carrier as shown.



8. Cut the carrier covers to the dimensions shown.



9. Install the carrier covers as shown.

