

SADDLEBAG SUPPORT

Accessory Name	Parts Number	Application Model	Issue Date	Publication No.
SADDLEBAG SUPPORT	08L71-K2W-A20ZA	DAX125	September 2024	MII 55245
SADDLEBAG	08L74-K26-M50			

Introduction

ALL INFORMATION, ILLUSTRATIONS, DIRECTIONS AND SPECIFICATIONS INCLUDED IN THIS PUBLICATION ARE BASED ON THE LATEST PRODUCT INFORMATION AVAILABLE AT THE TIME OF APPROVAL FOR PRINTING. Honda Motor Co., Ltd. RESERVES THE RIGHT TO MAKE CHANGES AT ANY TIME WITHOUT NOTICE AND WITHOUT INCURRING ANY OBLIGATION WHATSOEVER. NO PART OF THIS PUBLICATION MAY BE REPRODUCED WITHOUT WRITTEN PERMISSION. THIS MANUAL IS WRITTEN FOR PERSONS WHO HAVE ACQUIRED BASIC KNOWLEDGE OF MAINTENANCE ON Honda MOTORCYCLES, MOTOR SCOOTERS, ATVS or SXS'S.

Honda Dealer:







Please give a copy of these instructions to your customer.

Customer:

Because the installation of this accessory requires specialized knowledge, special tools and equipment, it is recommended to only install it at a dealer with qualified technicians.

How To Read These Symbols

Your safety, and the safety of others, is very important. To help you make informed decisions we have provided safety messages and other information throughout this manual.

-  **WARNING** You CAN be KILLED or SERIOUSLY HURT if you don't follow instructions.
-  **CAUTION** You CAN be HURT if you don't follow instructions.
-  **NOTICE** The purpose of this message is to help prevent damage to your vehicle, other property, or the environment.
-  **NOTE** Things you want to know, things that are useful to know.
-  Follow the instructions of the Service Manual.
-  Follow the other instruction symbols of the "Basic Shop Manual".

Other Instruction Symbols

The symbols used throughout these instructions show specific "Warnings and Notices". Refer to the "Basic Shop Manual" for the description of each symbol.

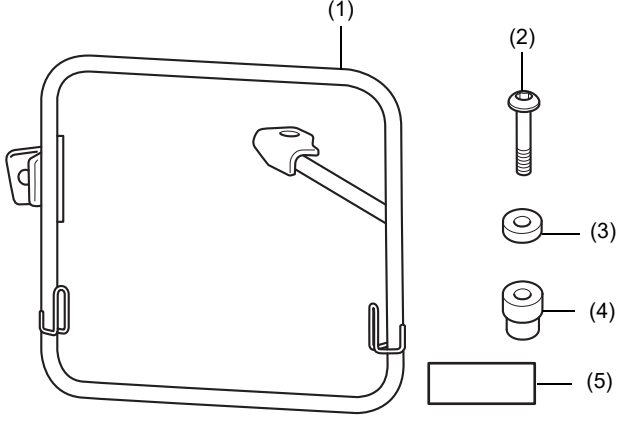
INFORMATION

⚠ CAUTION

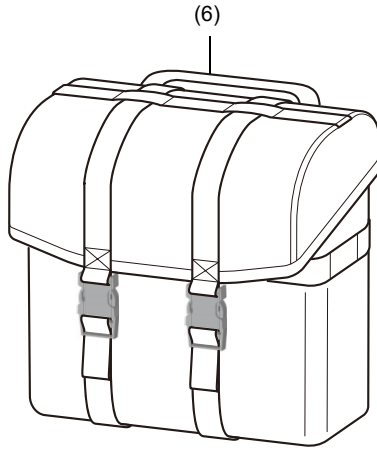
- To prevent burns, allow the engine, exhaust system, radiator, etc., to cool before installing the accessory.

PARTS LIST

<SADDLEBAG SUPPORT>

Component	No.	Parts Name	Qty	Parts No.
	(1)	Saddlebag support pipe	1	-
	(2)	8 x 50 mm bolt	1	-
	(3)	Collar B	2	-
	(4)	Collar A	1	-
	(5)	Label	1	-

<SADDLEBAG>

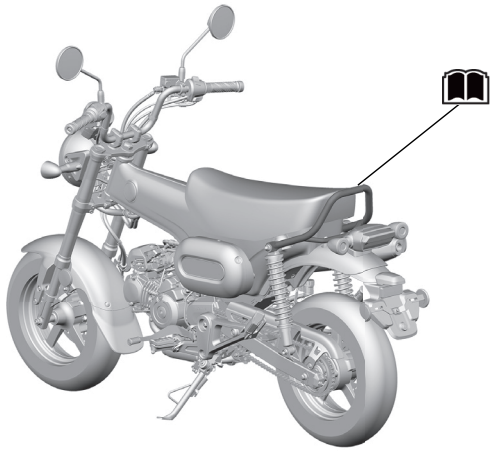
Component	No.	Parts Name	Qty	Parts No.
	(6)	Saddlebag	1	-

TORQUE INFORMATION

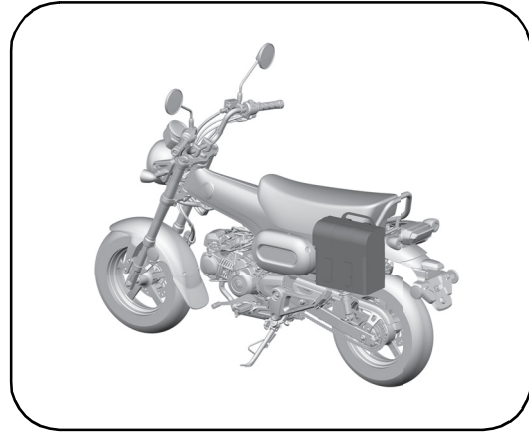
Refer to the Service Manual for the torque values including the standard torque of the removed parts. (🔧)

INSTALLATION

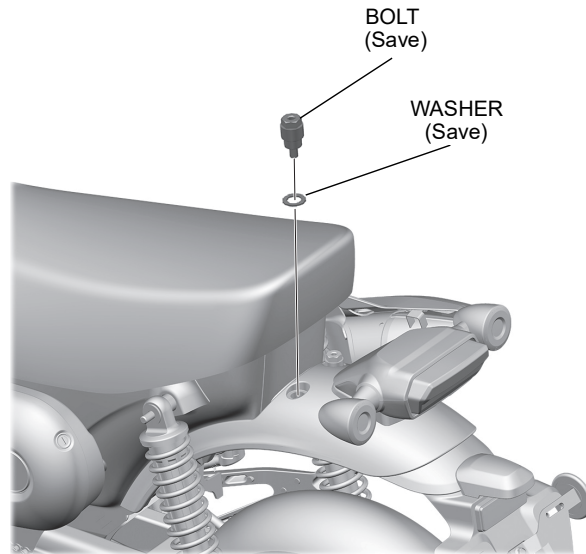
1. Refer to the Service Manual for the motorcycle and remove the motorcycle parts as shown.



INSTALLATION IMAGE

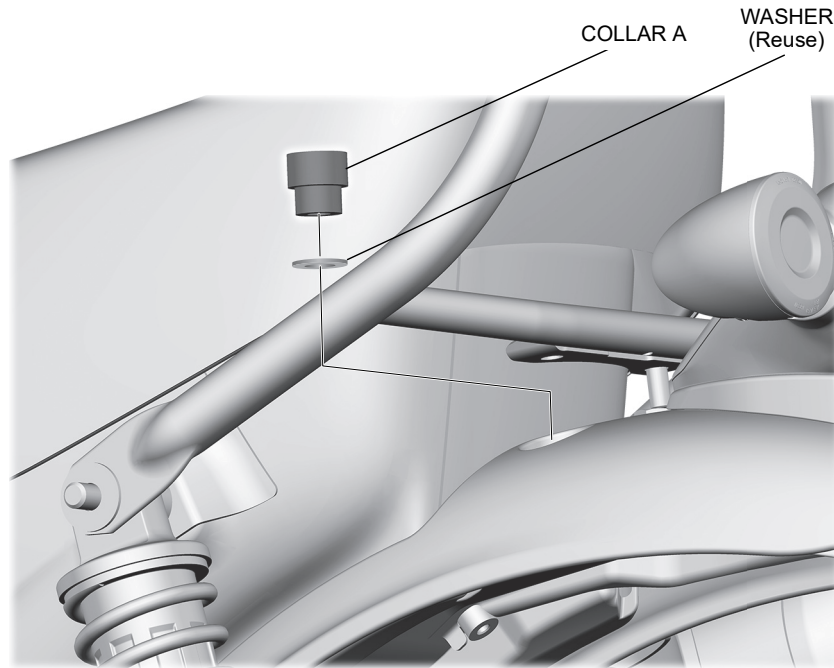


2. Remove the parts as shown.

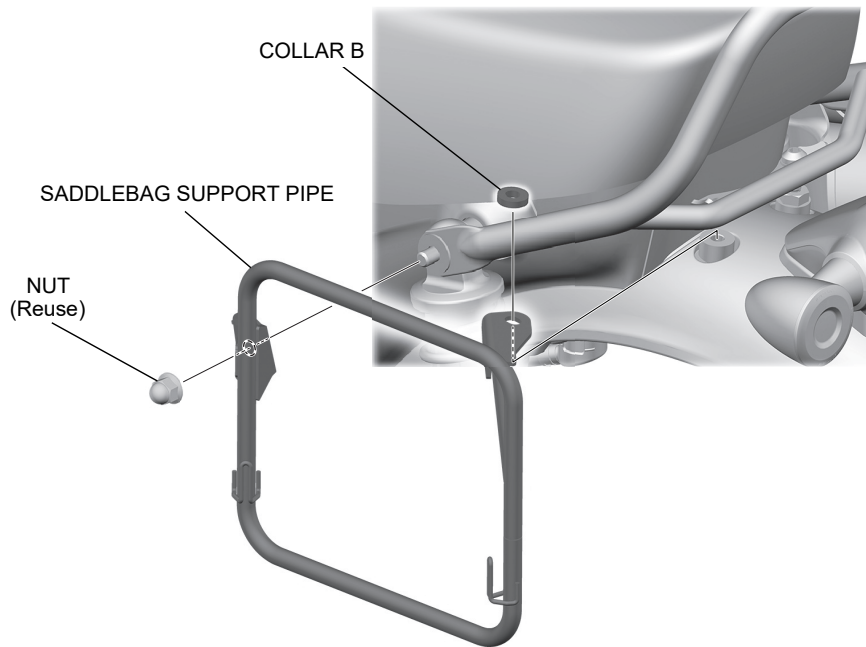


3. Temporarily install the rear grip.
 - Tighten the bolts and nuts temporarily.

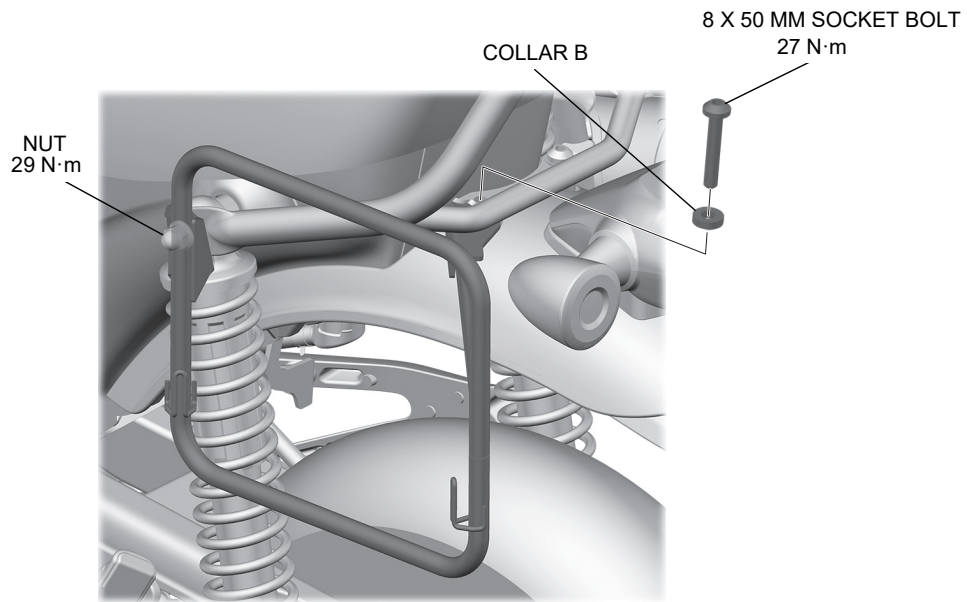
4. Install the parts as shown.



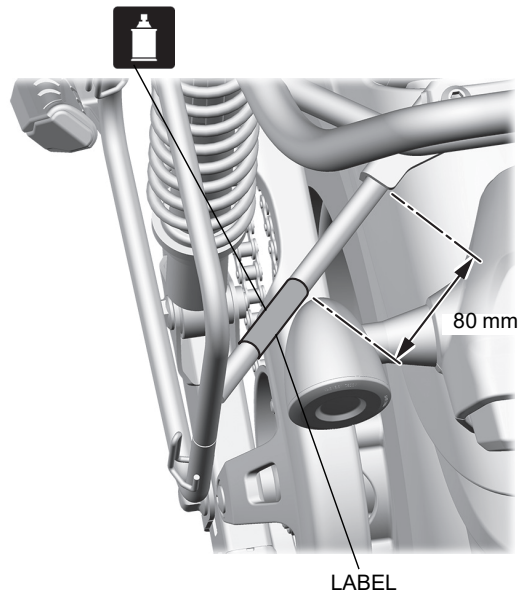
5. Install the parts as shown.



6. Install the parts as shown.
- Tighten all bolts and nuts.

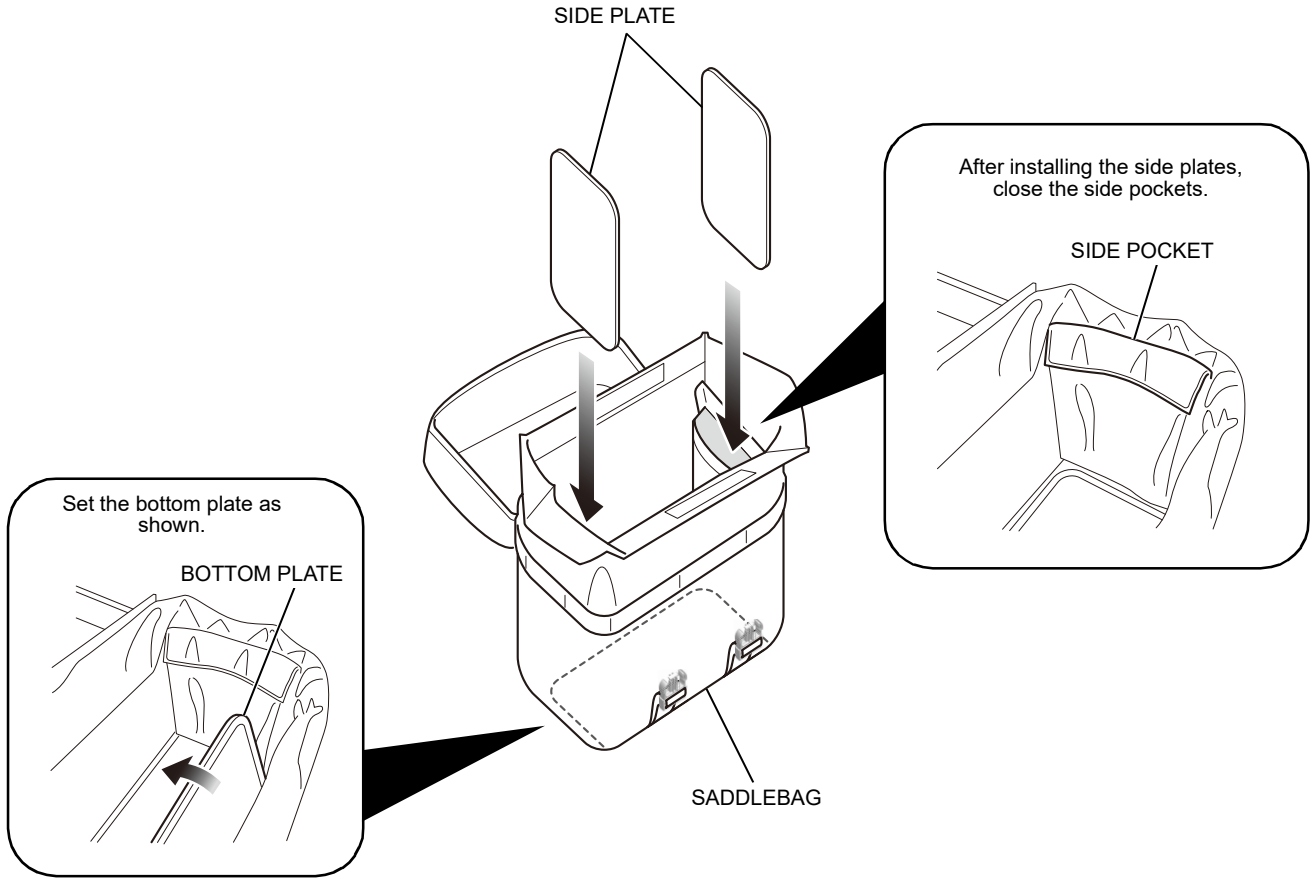


7. Degrease and install as shown.

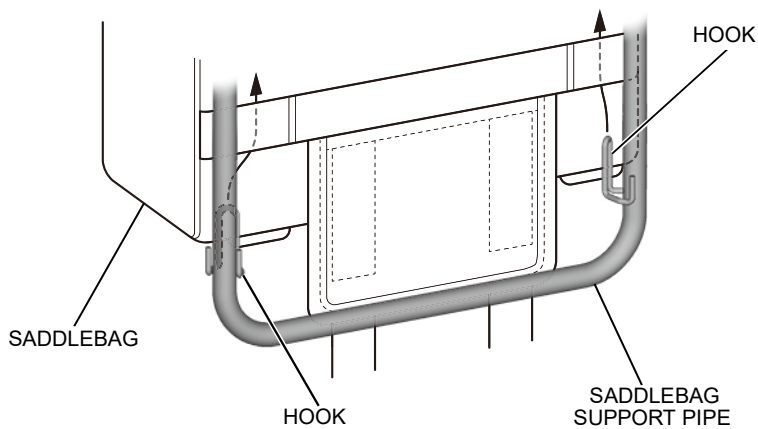


SADDLEBAG INSTALLATION

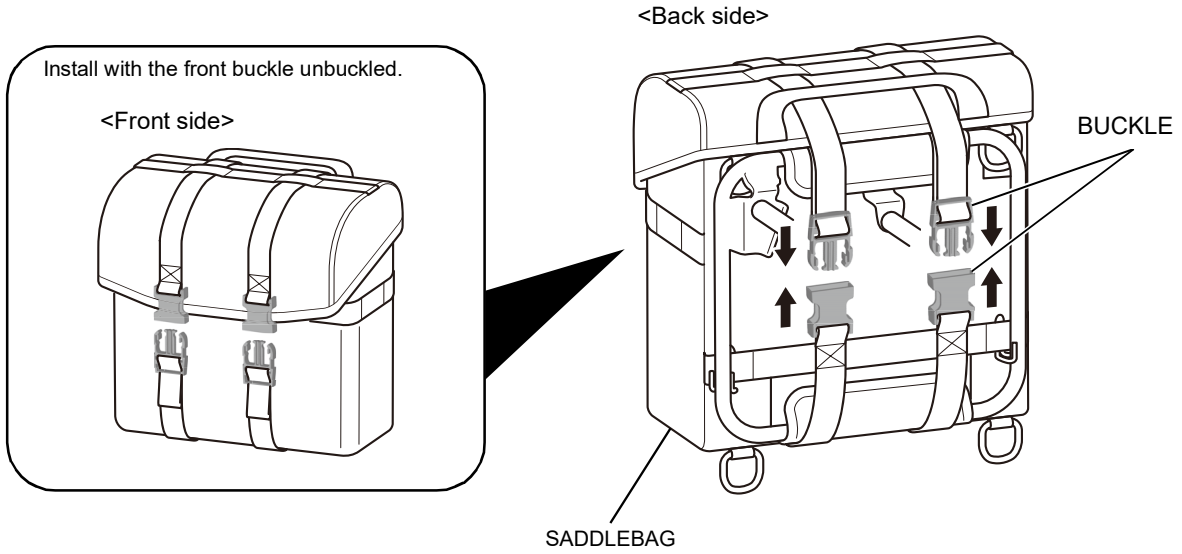
1. Install the parts as shown.



2. Install the parts as shown.



3. Attach the rear buckle as shown.



4. Attach the front buckle as shown.

- Tighten the front and rear belts firmly, without play.

