

## TOP BOX

Accessory Name	Parts Number	Application Model	Issue Date	Publication No.
TOP BOX	08L70-K1T-A10	SCL500	June 2023	MII 17974
TOP BOX LOCK	08L71-K1T-E10			
1 KEY CYLINDER	08M71-KZL-841			
CARRIER BRACKET *	08L70-MKK-D00			
REAR CARRIER	08L70-K3S-JA0			

### Introduction

ALL INFORMATION, ILLUSTRATIONS, DIRECTIONS AND SPECIFICATIONS INCLUDED IN THIS PUBLICATION ARE BASED ON THE LATEST PRODUCT INFORMATION AVAILABLE AT THE TIME OF APPROVAL FOR PRINTING. Honda Motor Co., Ltd. RESERVES THE RIGHT TO MAKE CHANGES AT ANY TIME WITHOUT NOTICE AND WITHOUT INCURRING ANY OBLIGATION WHATSOEVER. NO PART OF THIS PUBLICATION MAY BE REPRODUCED WITHOUT WRITTEN PERMISSION. THIS MANUAL IS WRITTEN FOR PERSONS WHO HAVE ACQUIRED BASIC KNOWLEDGE OF MAINTENANCE ON Honda MOTORCYCLES, MOTOR SCOOTERS, ATVS and SXS's.

Honda Dealer:







Please give a copy of these instructions to your customer.

Customer:

Because this accessory requires specialized knowledge, special tools and equipment, it is recommended to install it at a dealer with qualified technicians.

### How To Read These Symbols

Your safety, and the safety of others, is very important. To help you make informed decisions we have provided safety messages and other information throughout this manual.

-  **WARNING** You CAN be KILLED or SERIOUSLY HURT if you don't follow instructions.
-  **CAUTION** You CAN be HURT if you don't follow instructions.
-  **NOTICE** The purpose of this message is to help prevent damage to your vehicle, other property, or the environment.
-  **NOTE** Things you want to know, things that are useful to know.
-  Follow the instructions of the Service Manual.
-  Follow the other instruction symbols of the "Basic Shop Manual".

### Other Instruction Symbols

The symbols used throughout these instructions show specific "Warnings and Notices". Refer to the "Basic Shop Manual" for the description of each symbol.

# INFORMATION

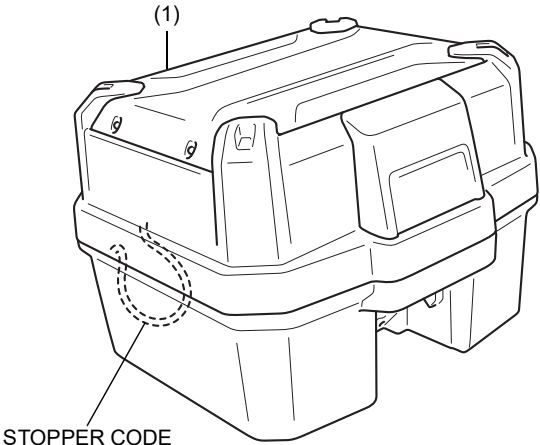
## ⚠ CAUTION

- To prevent burns, allow the engine, exhaust system, radiator, etc., to cool before installing the accessory.

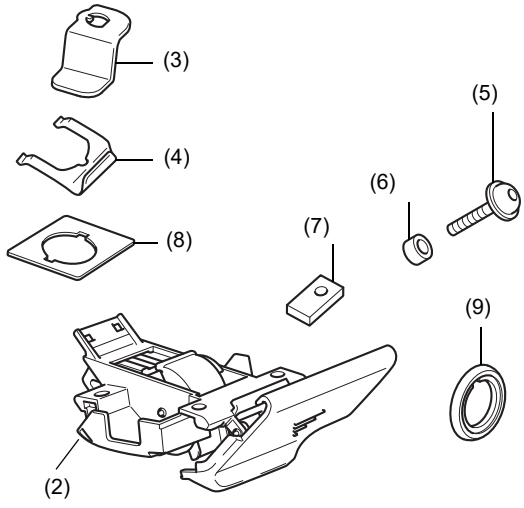
**NOTE:**

- Refer to this manual and the rear carrier Installation Instructions when the motorcycle is equipped with the rear carrier.

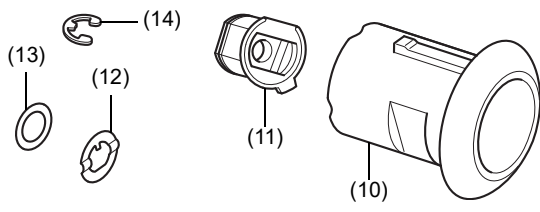
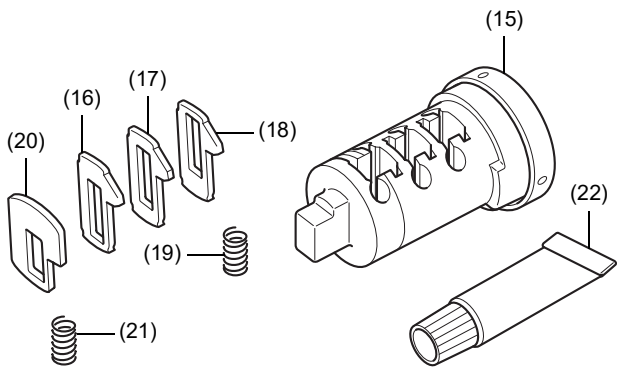
# PARTS LIST

Component	No.	Parts Name	Qty	Parts No.
	(1)	Top box	1	08L70-K1T-A10
		Stopper code	1	08L01-HAC-D00

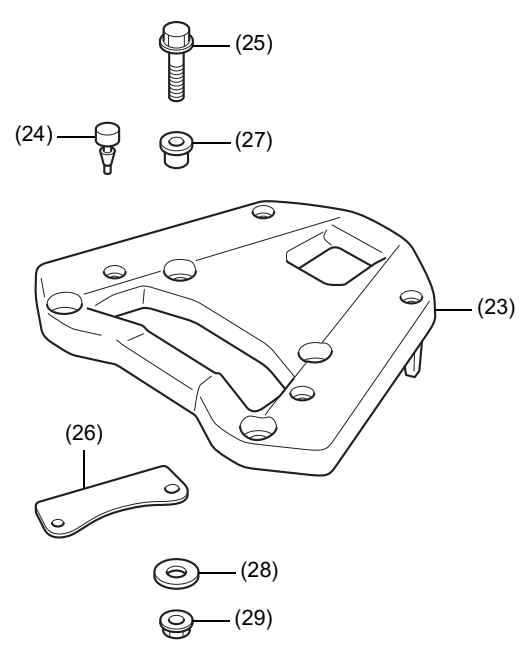
**<TOP BOX LOCK>**

Component	No.	Parts Name	Qty	Parts No.
	(2)	Lock assembly	1	-
	(3)	Cam plate	1	-
	(4)	Spring	1	75581-673-000
	(5)	6 mm socket bolt	4	-
	(6)	Collar	4	-
	(7)	Nut	4	-
	(8)	Lock washer	1	77236-GZ5-000
	(9)	Spacer	1	-

<1 KEY CYLINDER>

Component	No.	Parts Name	Qty	Parts No.	
<b>1 KEY BODY PARTS</b> 	(10)	Key cylinder	1	-	
	(11)	Inner joint	1	-	
	(12)	Set ring	1	-	
	(13)	Washer	1	-	
	(14)	E-ring	1	-	
	(15)	Inner cylinder	1	-	
	(16)	Tumbler A	5	-	
	(17)	Tumbler B	5	-	
	(18)	Tumbler C	5	-	
	(19)	Spring (Silver)	10	-	
	(20)	Stopper tumbler	3	-	
	(21)	Stopper spring (Black)	3	-	
	(22)	Grease	1	-	
	<b>1 KEY INNER CYLINDER</b> 				

<CARRIER BRACKET>

Component	No.	Parts Name	Qty	Parts No.	
	(23)	Carrier base	1	-	
	(24)	Rubber	4	'1	
	(25)	8 mm flange bolt (Not used.)	4	'2	
	(26)	Plate	2	-	
	(27)	Flange collar	8	'2	
	(28)	Washer (Not used.)	4	'2	
	(29)	8 mm flange nut (Not used.)	4	'2	
	(1)	Rubber set			08L05-MJP-G50
	(2)	Carrier parts set			08L04-MJP-G50

<REAR CARRIER>

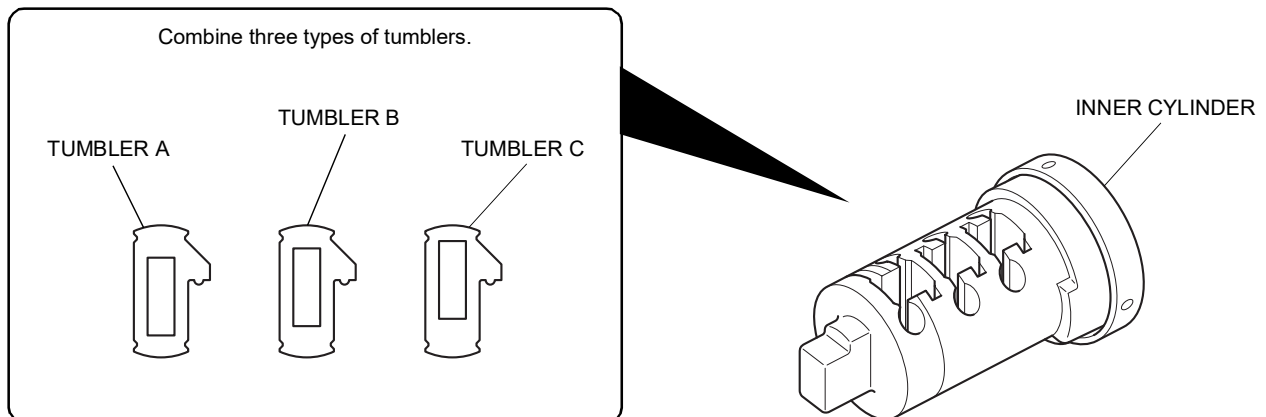
Component	No.	Parts Name	Qty	Parts No.
	(30)	Rear carrier plate	1	-
	(31)	Right carrier pipe	1	-
	(32)	Left carrier pipe	1	-
	(33)	8 mm socket bolt (short)	4	90108-K87-A00
	(34)	8 mm socket bolt (middle)	4	90105-MKN-D50
	(35)	8 mm flange nut	4	90309-ML4-901
	(36)	8 mm socket bolt (long)	4	96700-08032-07
	(37)	Caution label	1	-
	(38)	Cargo limit label (Not used.)	1	-
	(39)	Notice label (K3S-JA0) (Not used.)	1	-
	(40)	Notice label (K3S-TA0) (Not used.)	1	-
	(41)	Notice label (K3S-HA0) (Not used.)	1	-
	(42)	Notice label (MLP-AA0)	1	-
	(43)	Notice label (MLP-DA0) (Not used.)	1	-
	(44)	Notice label (MLP-CA0)	1	-
(45)	Notice label (MLP-KA0) (Not used.)	1	-	

**TORQUE INFORMATION**

Refer to the Service Manual for the torque values including standard torque of the removed parts. (■)

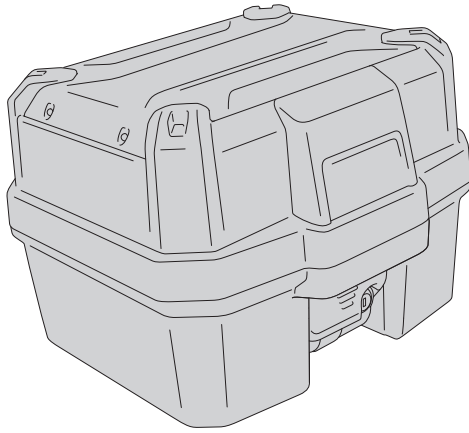
<Notes regarding the key cylinder>

- This product is used to assemble a key cylinder matching the motorcycle key by combining three types of tumblers.
- When this key cylinder is installed in a box or similar equipment, the installed equipment can be operated with the motorcycle key.

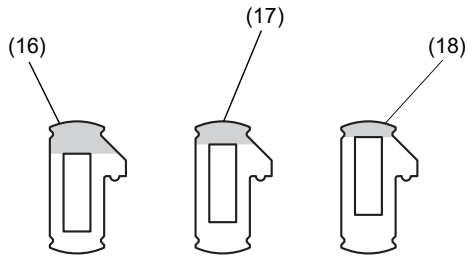



# INSTALLATION

INSTALLATION IMAGE

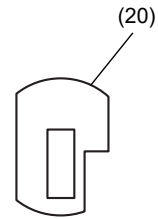


- The three tumbler types shown are provided.
  - As the tumblers are small, keep them in the bag until they are used.



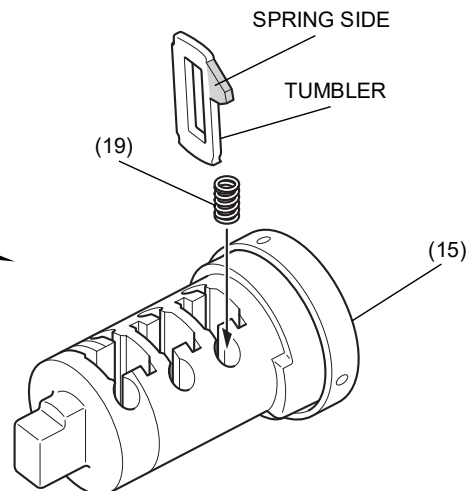
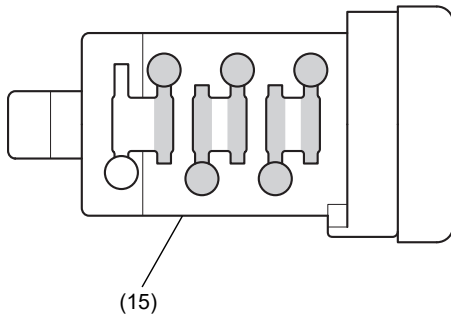
The  part has a different width for each of the three tumbler types.

The stopper tumbler will be used later.

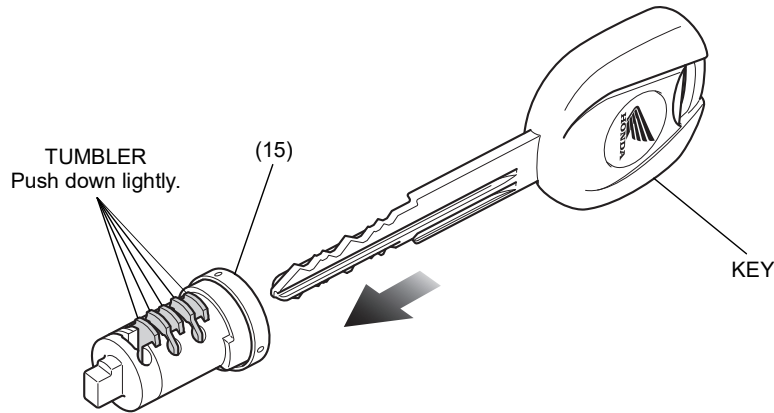


- Install the parts as shown.
  - Install five tumblers of the same type out of the three types.

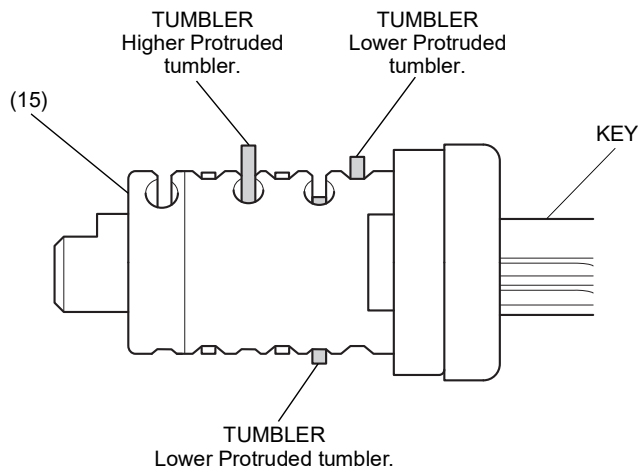
Insert tumbler and a spring at the indicated position.



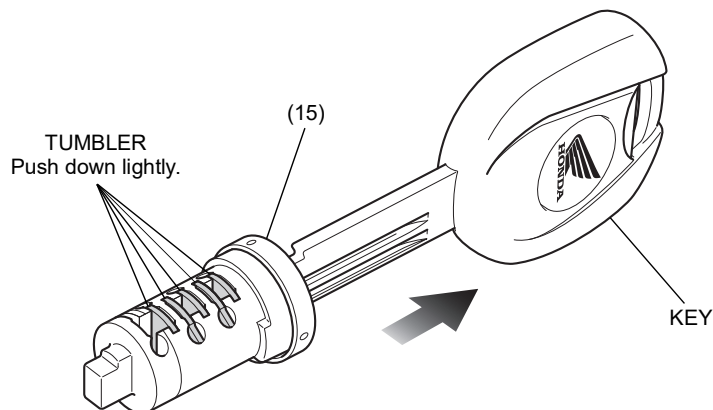
3. Insert the key as shown.
- Lightly push down on the tumblers from above, then insert the key.



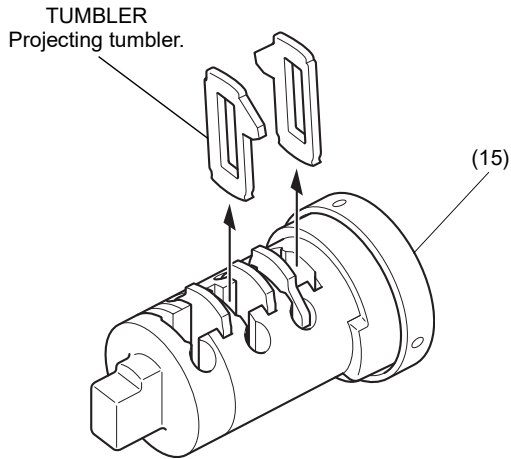
4. Confirm the tumblers are projecting as shown at their respective positions.
- The positions where tumblers project and the projecting height differ according to the key.



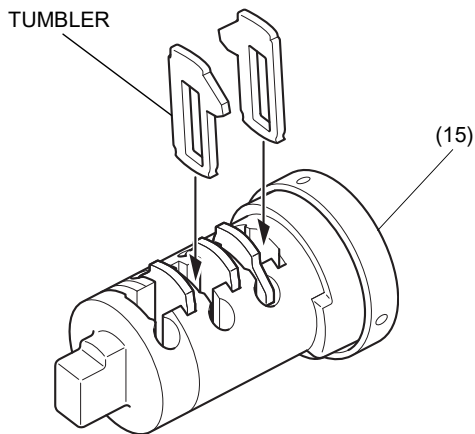
5. Press down lightly on the tumbler, pull the key.
- The tumbler spring may jump out when the tumbler is not pressed down lightly.



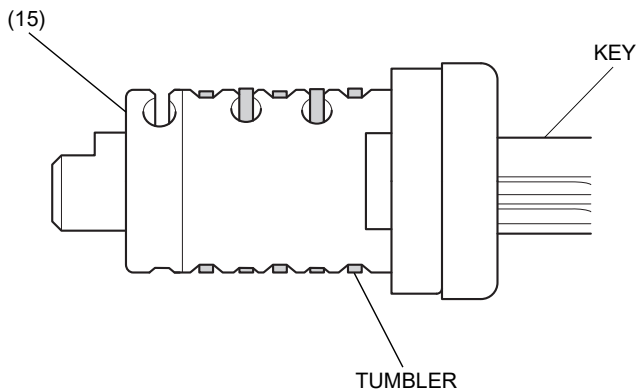
6. Pull out the projecting tumbler.  
• Leave the spring installed.



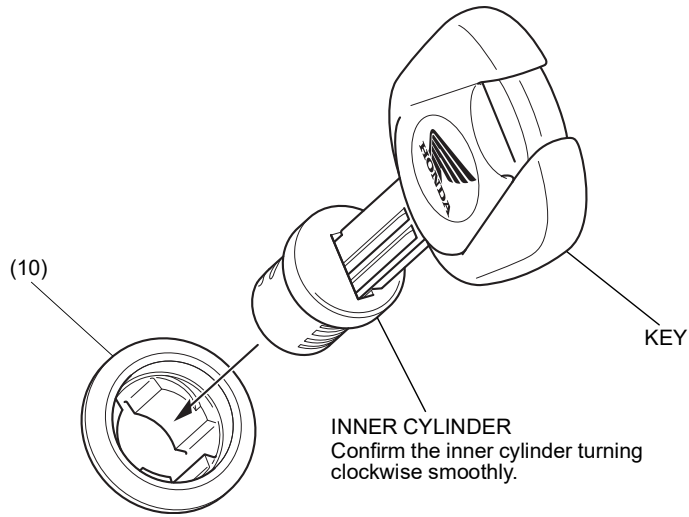
7. Insert a different tumbler at the position after pulling out the tumbler.



8. Perform steps 3 to 7. Insert the key as shown and confirm that all tumblers remain inside.  
• Lightly push down on the tumblers from above, then insert the key.

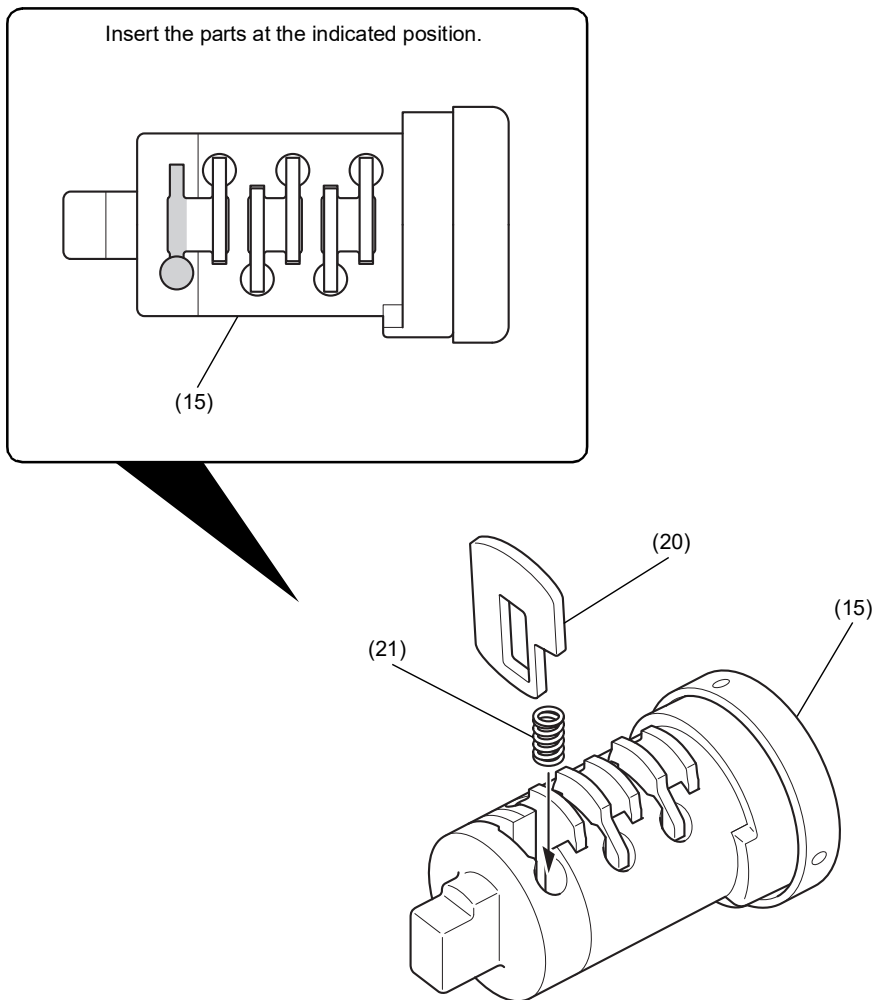


9. Insert the parts as shown.



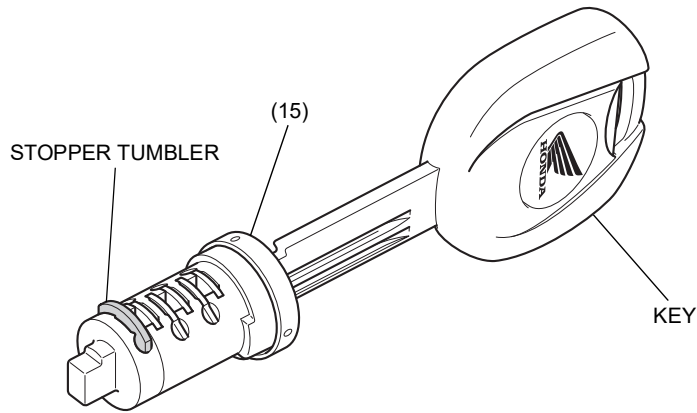
10. Pull the inner cylinder and push down lightly on the tumblers and pull the key.

11. Install the parts as shown.

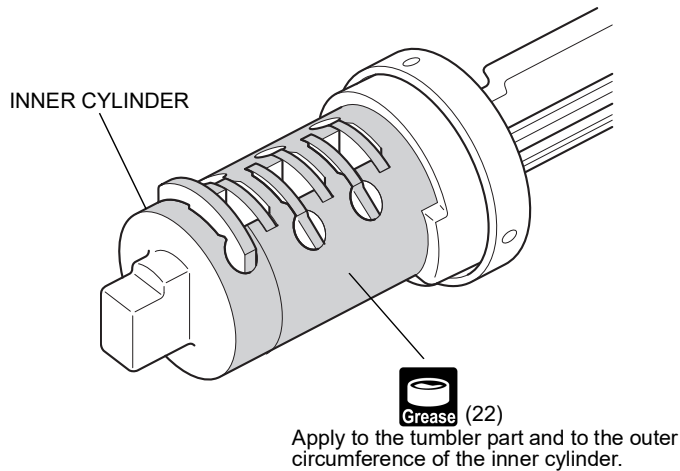




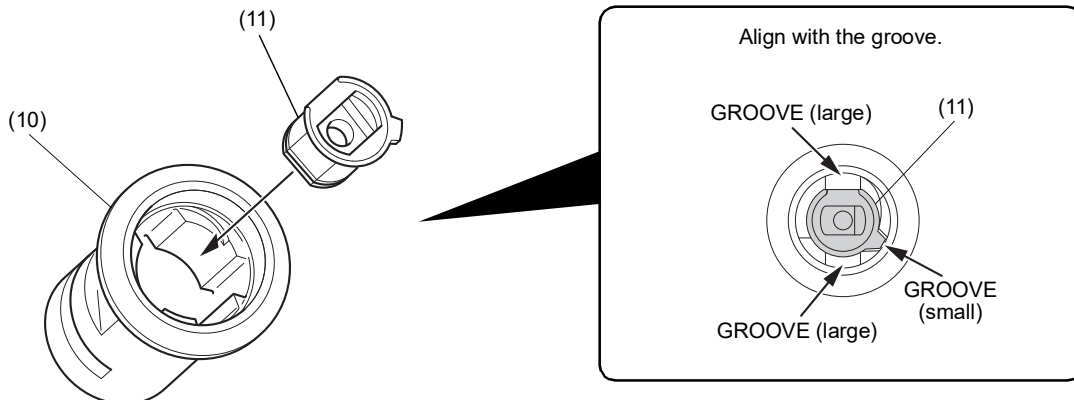
12. Insert the key as shown.
- Lightly push down on the tumblers from above, then insert the key.
  - Confirm that the stopper tumbler jumps out.



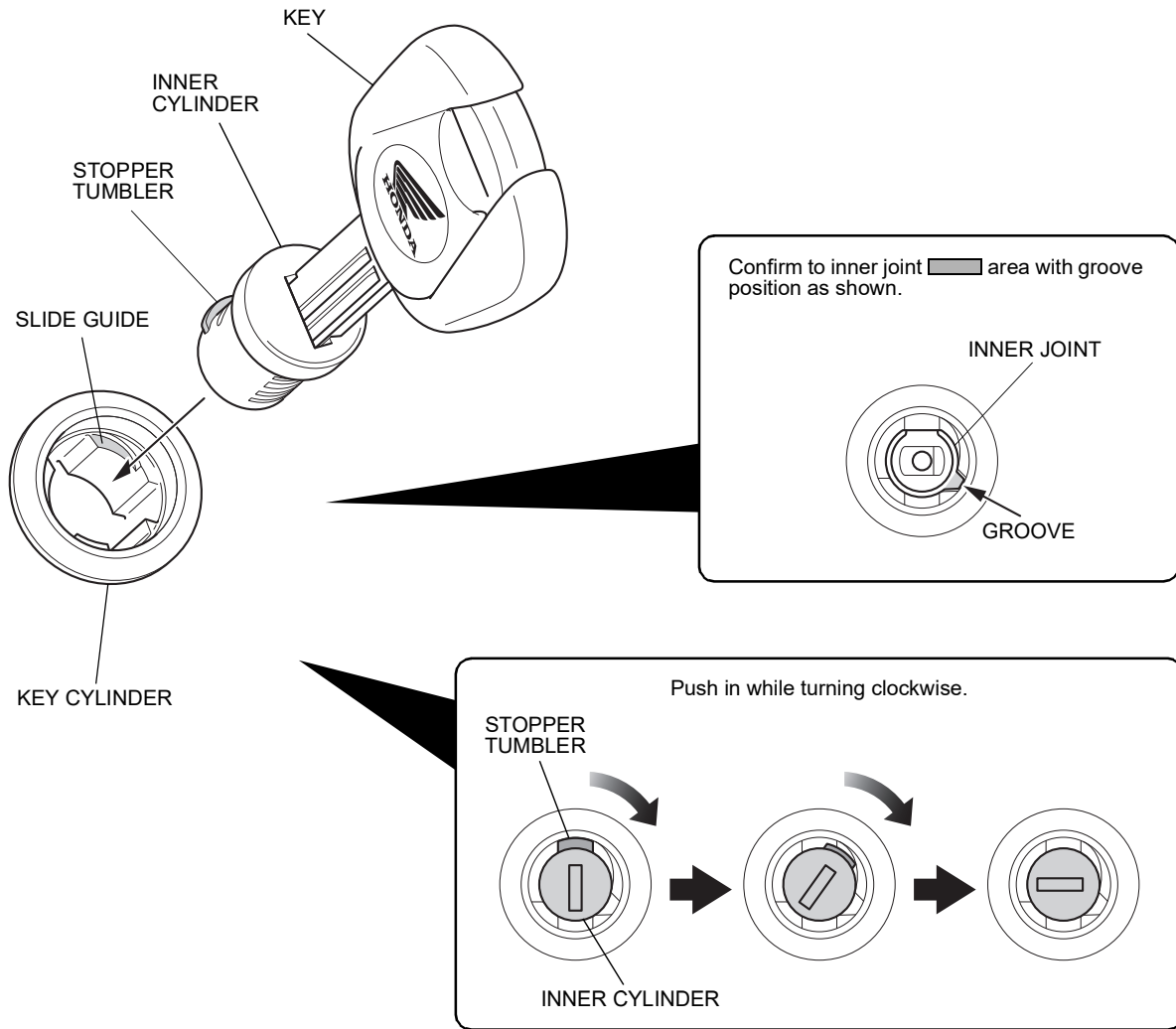
13. Apply grease to the position shown.
- Only use the supplied grease.



14. Install the parts as shown.

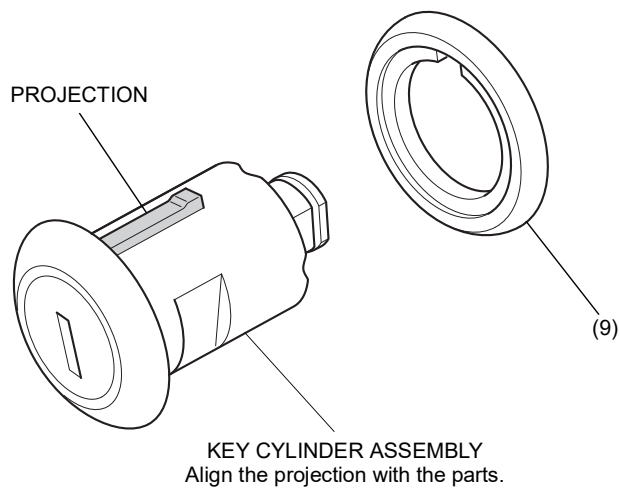


15. Install the inner cylinder by sliding the stopper tumbler along the slide guide while rotating it.
- If the inner cylinder cannot be inserted, again confirm that no tumblers other than the stopper tumbler have jumped out.

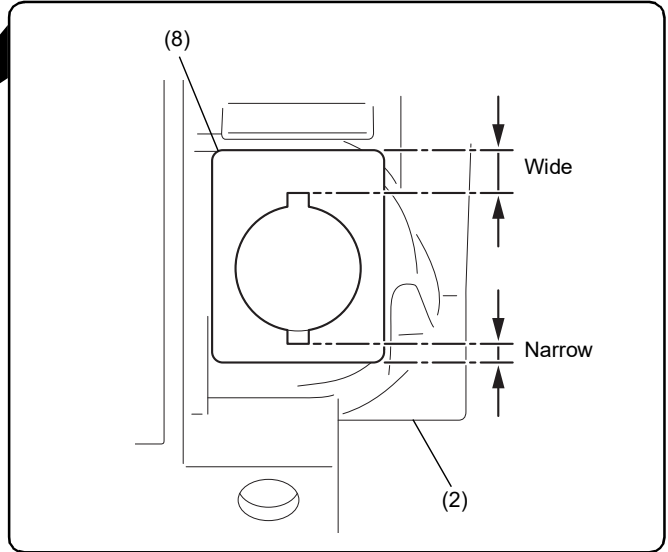
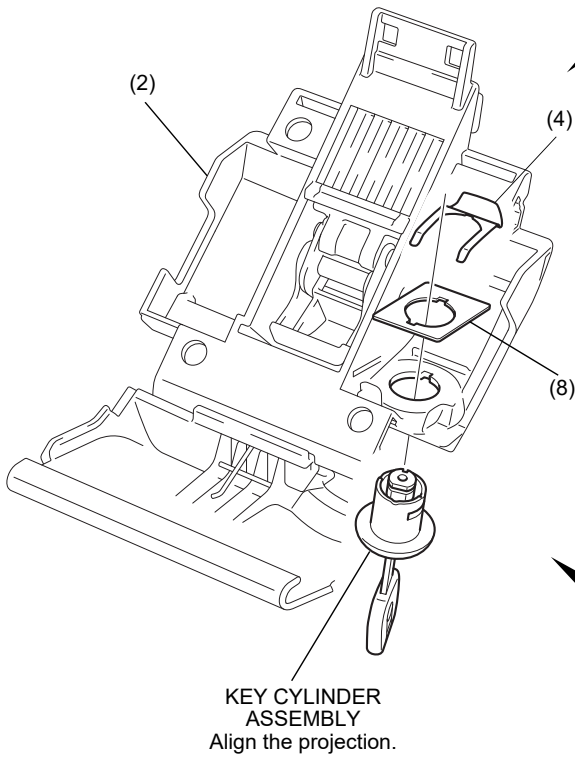


16. Draw out the key and check that the inner cylinder does not come out.

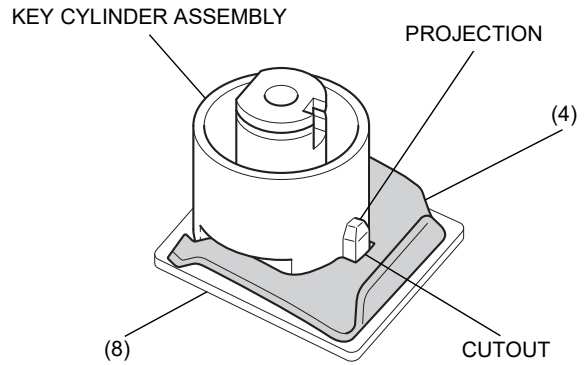
17. Install the parts as shown.



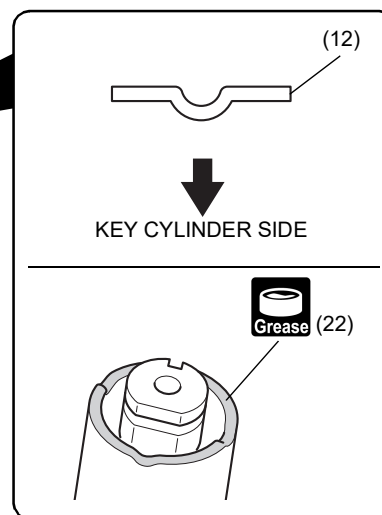
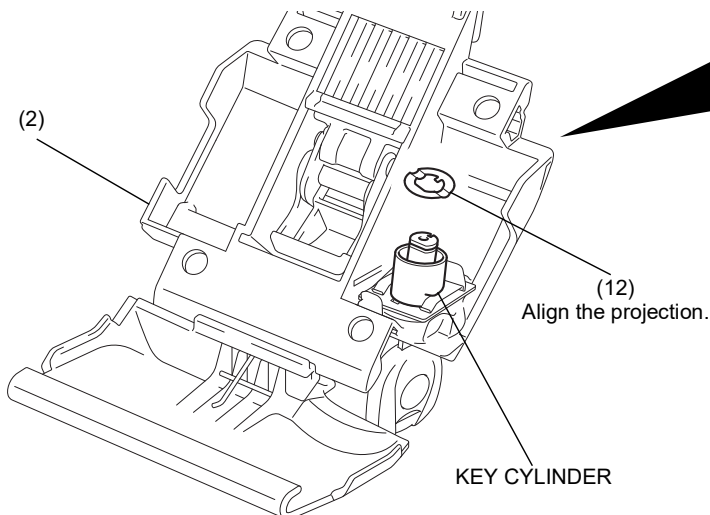
18. Insert the key and install the parts as shown.



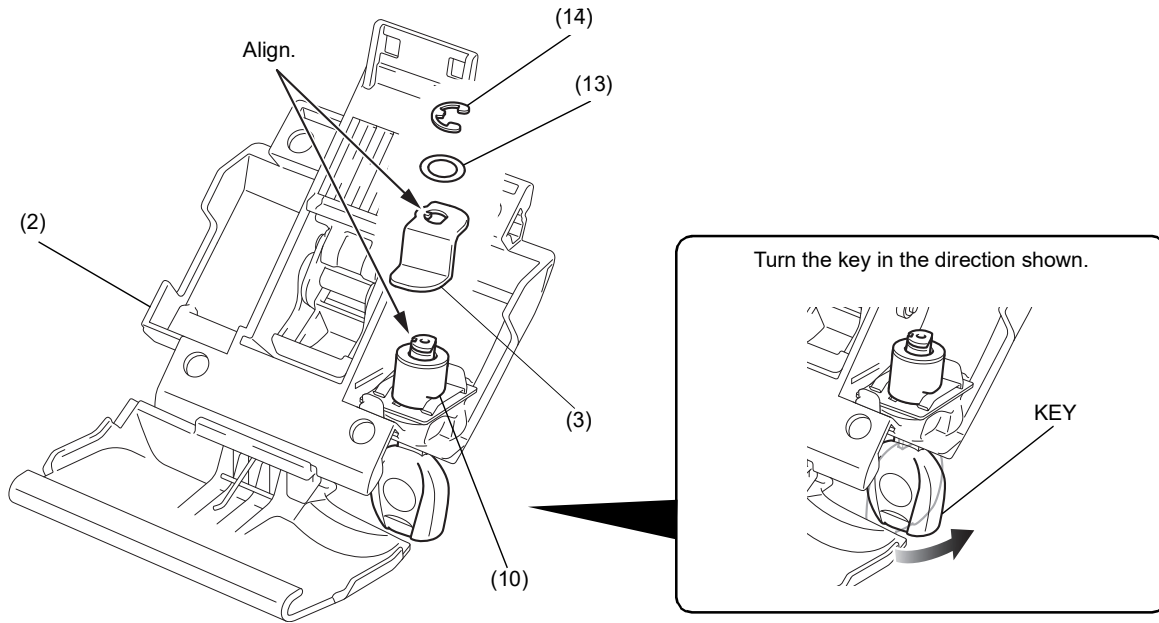
Install the parts while aligning the projection on the key cylinder with the cutout in the lock assembly as shown.



19. Install the parts as shown.

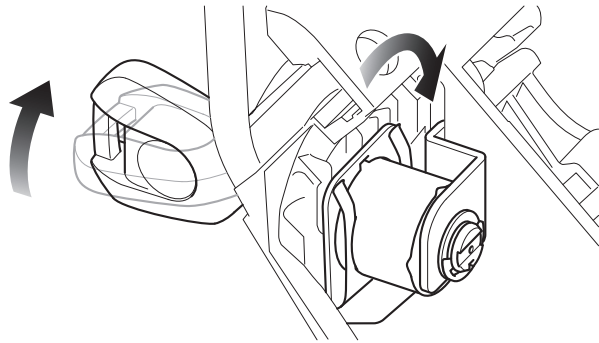


20. Install the parts as shown.

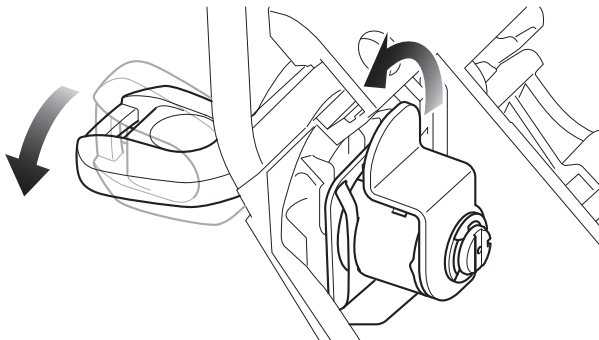


21. Turn the key and check the key lock system as shown.  
• If the key lock system is not operational, reassemble the key cylinder.

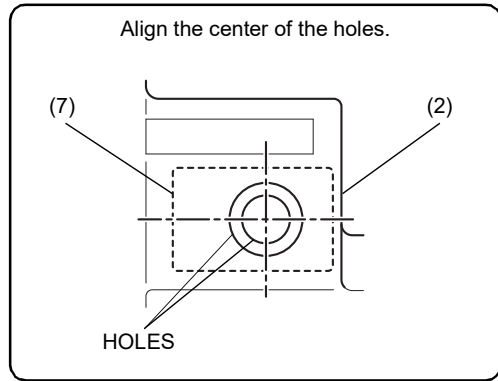
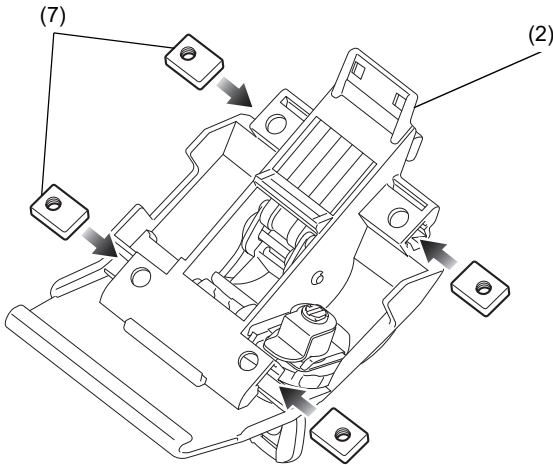
<LOCK>



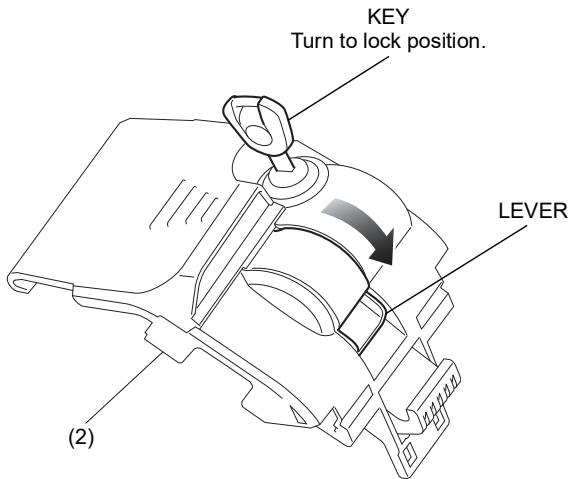
<UNLOCK>



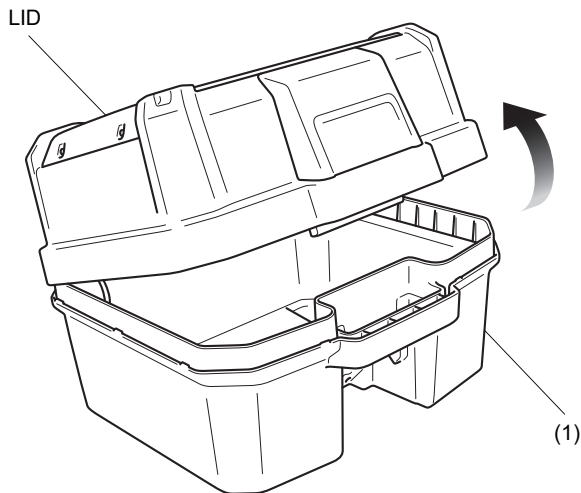
22. Install the parts as shown.



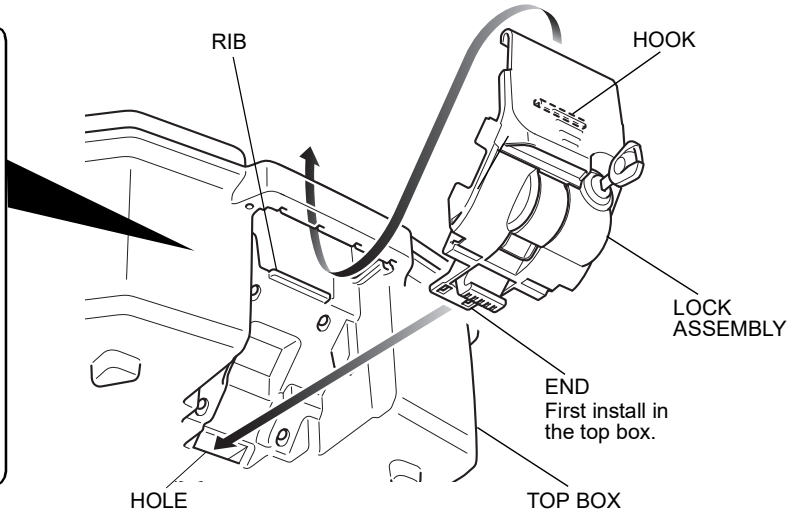
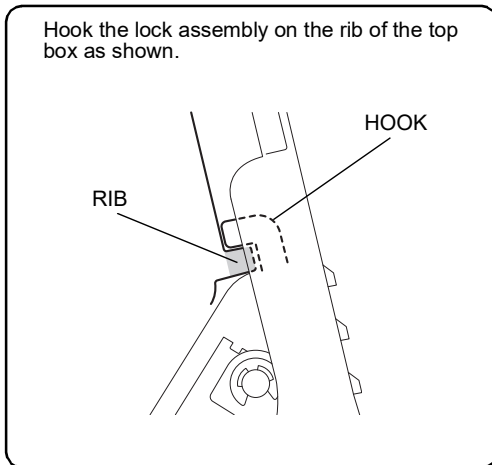
23. Lower the lever and turn the key counter-clockwise as shown.



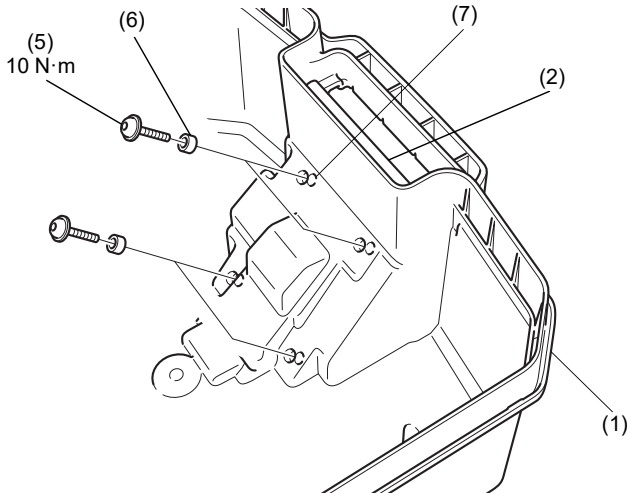
24. Open the lid.



25. Install the parts as shown.



26. Install the parts as shown.



27. Install the rear carrier (sold separately) and carrier bracket (sold separately).

28. Refer to the Genuine Accessory User's Guide and install the top box.