

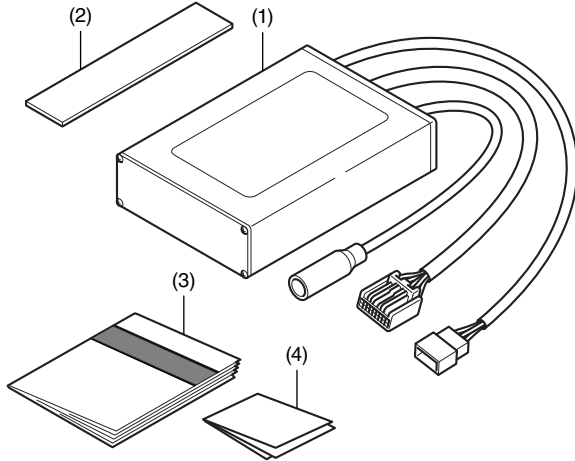


INSTALLATION INSTRUCTIONS

Accessory	Application	Publication No.
CB RADIO P/N 08E70-MCA-S40 08E95-MCA-100B	After '10 GL1800	MII 13574-13809
		Issue Date
		Revised August 2011

Honda Dealer: Please give a copy of these instructions to your customer.

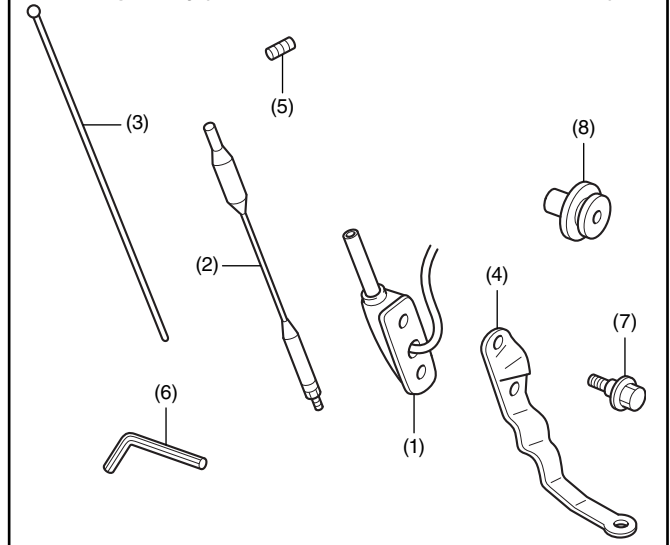
PARTS LIST



No.	Description	Qty
(1)	CB radio	1
(2)	Cushion tape	2
(3)	User's Guide	1
(4)	FCC Rule Book	1

CB antenna

Sold separately (P/N 08E74-MCA-S40 or 08E96-MCA-100C)



For the installation, refer to the included Installation Instructions.

No.	Description	Qty
(1)	Antenna base	1
(2)	Lower antenna Assy.	1
(3)	Upper antenna	1
(4)	Antenna plate	1
(5)	Stop screw	2
(6)	2 mm Hex wrench	1
(7)	6 mm flange bolt	2
(8)	Grommet	1

SUPPLIES REQUIRED

Marker
Ruler, metric
Isopropyl alcohol
Shop towel

TORQUE CHART

Refer to the Service Manual for the torque values of the removed parts.

USE AND CARE INFORMATION

- Check the accessory mounts frequently.
- The combined weight of the cargo and accessories must not exceed the maximum weight capacity of the trunk:

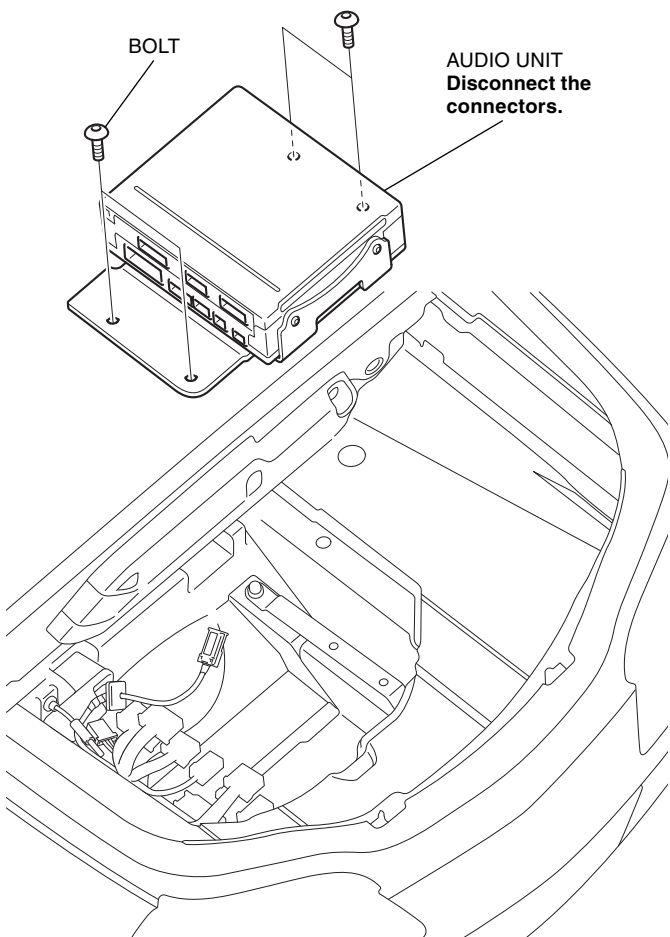
CB Radio Kit	15.4 lbs (7.0 kg)
--------------	-------------------

INSTALLATION

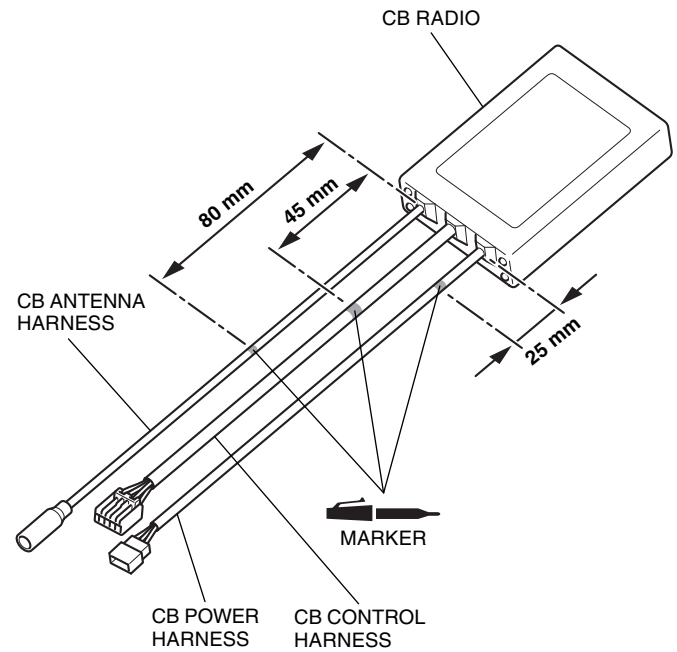
NOTE:

- CB antenna (08E74-MCA-S40 or 08E96-MCA-100C) is required for installation of this accessory.
- Install the CB antenna first.
- Disconnect the negative (-) cable from the battery before installing this accessory.
- After turning the ignition switch OFF, wait more than 10 seconds and then remove the negative cable of the battery.
- The memories of the tripmeter, clock, and suspension system will be erased when you disconnect the battery. Reset the clock and suspension after reconnecting the battery.
- Heat the bonding surfaces with a hair dryer if the ambient air temperature is below 70°F (21°C).
- The adhesive reaches full strength in 72 hours. Wait at least 24 hours before riding your motorcycle.

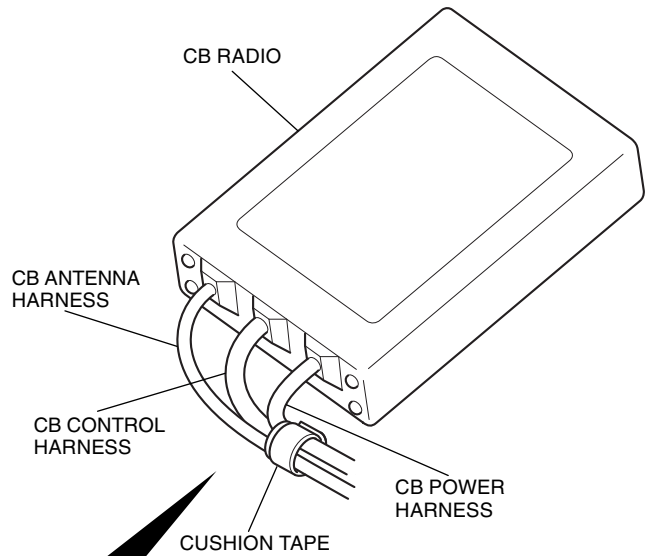
1. Install the CB antenna.
2. Remove the audio unit as shown.



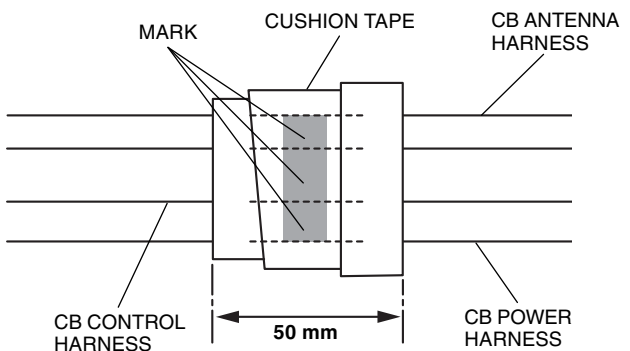
3. Mark the harnesses at the points shown below.



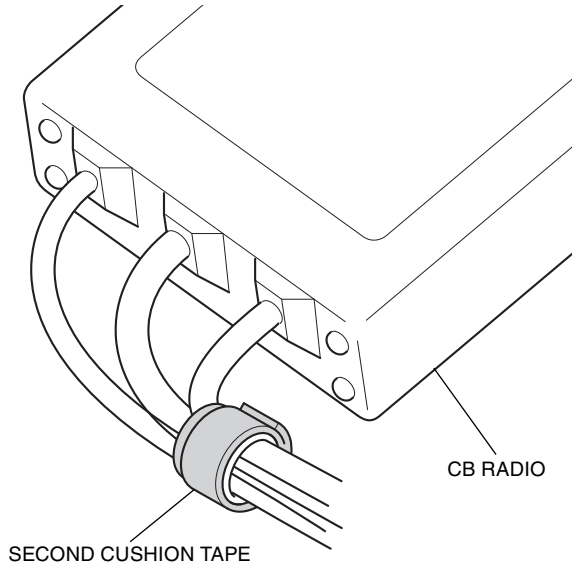
4. Match the marks and bundle the harnesses with cushion tape at the marked area.



Wind the cushion tape with the marked position at the center.

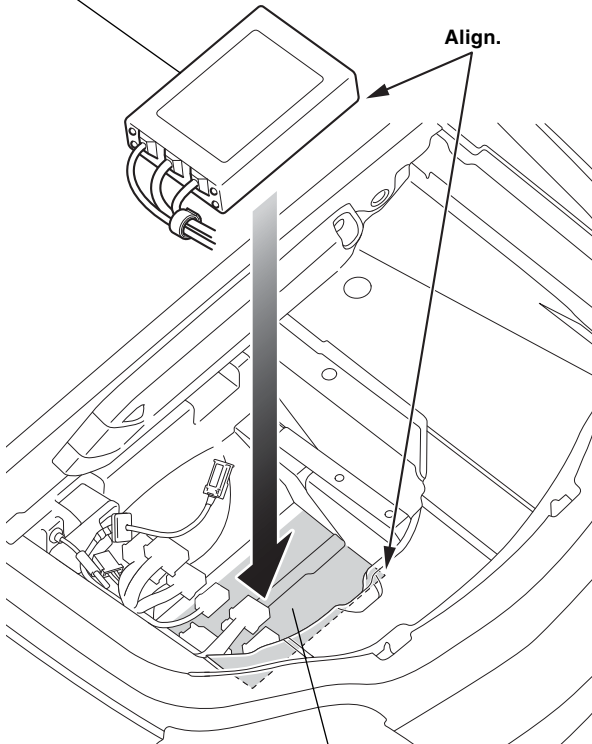


5. Wind the second cushion tape around the first as shown.



6. Attach the CB radio in the position shown.

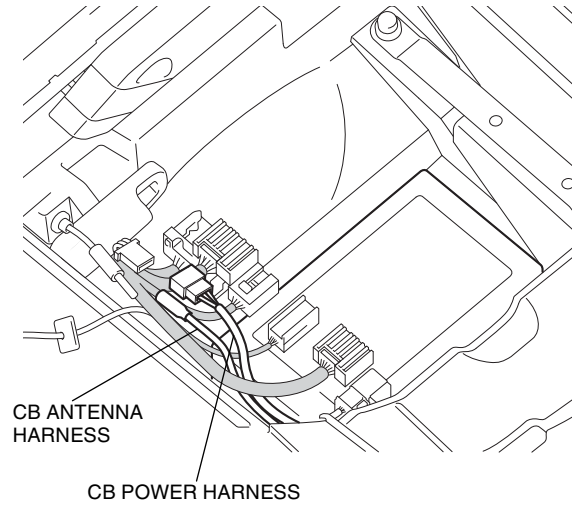
CB RADIO
Remove the adhesive backing before attaching.



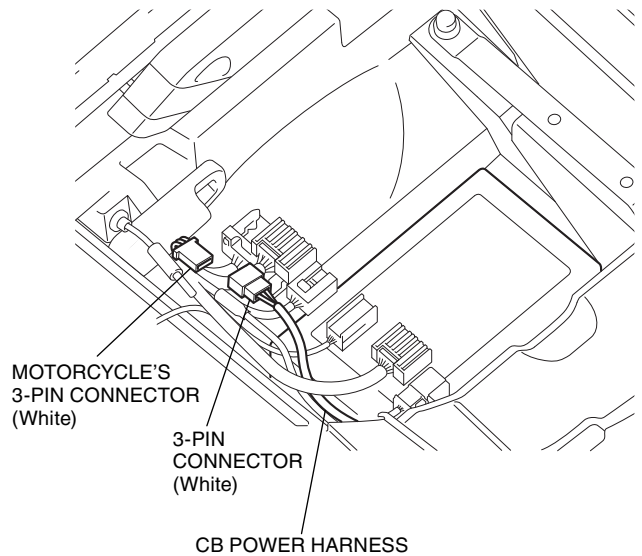
ISOPROPYL ALCOHOL
Thoroughly clean the area where the CB radio will be attached.



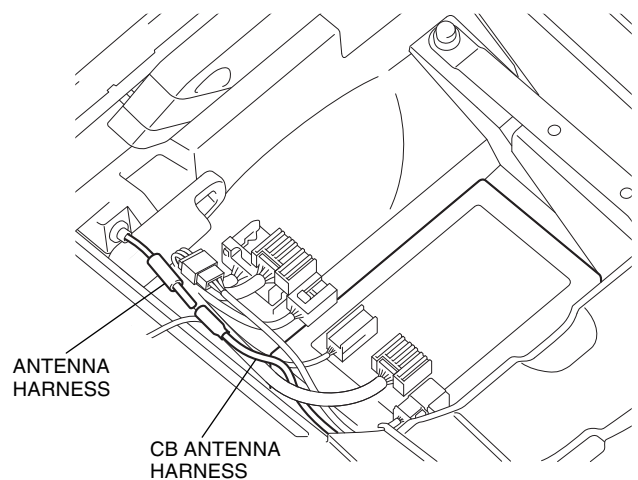
7. Route the CB antenna harness and CB power harness as shown.



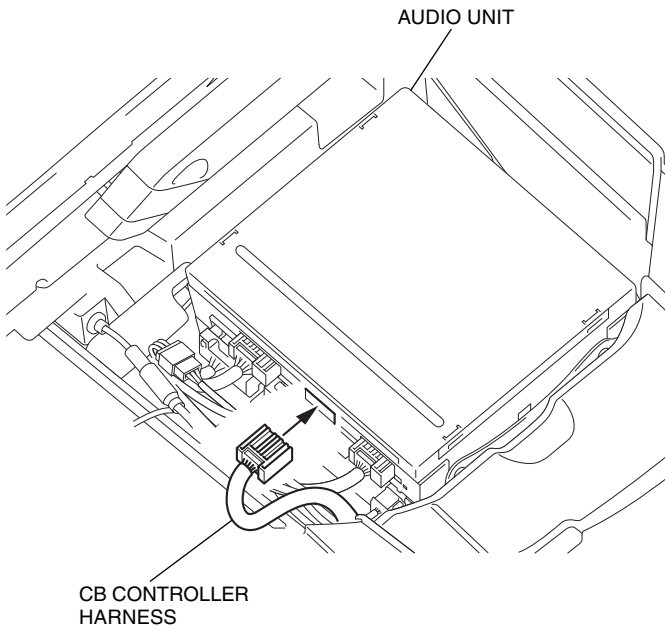
8. Connect the CB power harness as shown.



9. Connect the CB antenna harness as shown.



10. Install the audio unit in the reverse order of removal.
11. Connect the CB controller harness to the audio unit as shown.



12. Reconnect the negative (-) battery cable and test the operation of the CB radio and audio unit.
13. Install the motorcycle's parts in the reverse order of removal.