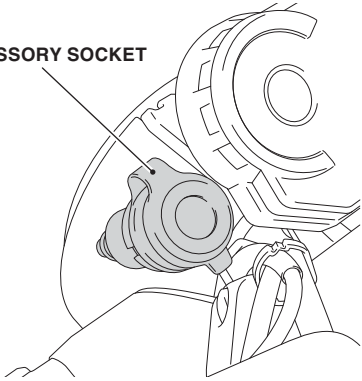


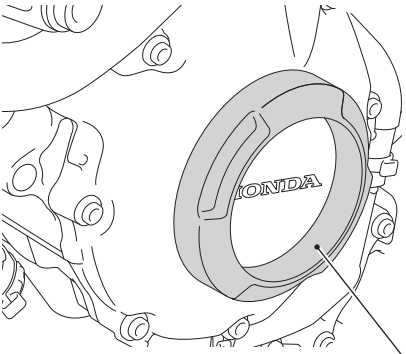
ACCESSORY SOCKET

ACCESSORY SOCKET



- The maximum power rating of connected accessories is 12W (12V, 1A).
- Use accessories with engine running to avoid discharging the battery.
- Do not use a cigarette lighter, as this can cause a malfunction.
- Cover the socket with the cap when the accessory socket is not used to prevent entry of foreign objects.
- Carefully secure any connected devices, as vibrations may cause them to shift unexpectedly.
- Make sure that the cable of device connected to the accessory socket does not disturb the steering operation or riding. Do not pinch the cable to prevent from being damaged.

CRANKCASE RING

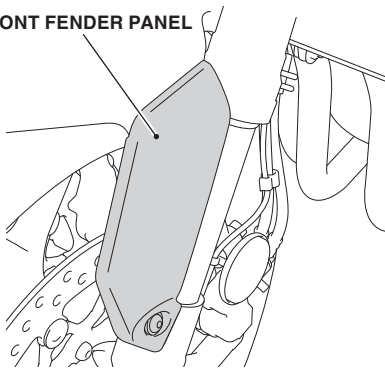


CRANKCASE RING

- When this accessory becomes dirty, rinse it thoroughly with cool water to remove loose dirt, then wipe with a clean cloth or sponge. Do not use a brush to clean this accessory as it may scratch the surface.
- Never use organic solvents such as gasoline, thinner and benzine to clean this accessory. Also do not use acid or alkaline cleaners to clean this accessory. Wipe up spilled brake or battery fluid at once as they may damage the surface.

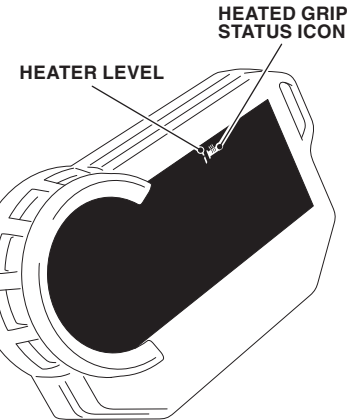
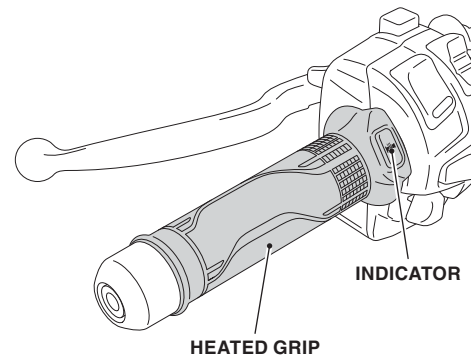
FRONT FENDER PANEL

FRONT FENDER PANEL



- When this accessory becomes dirty, rinse it thoroughly with cool water to remove loose dirt, then wipe with a clean cloth or sponge. Do not use a brush to clean this accessory as it may scratch the surface.
- Never use organic solvents such as gasoline, thinner and benzine to clean this accessory. Also do not use acid or alkaline cleaners to clean this accessory. Wipe up spilled brake or battery fluid at once as they may damage the surface.

HEATED GRIPS



- Wear gloves to protect your hands from the heated grips.
- Do not use the heated grips with the engine at idle for a long time. It may result in a low (or dead) battery.
- The heated grip warms up the right and left grips of the handlebar for comfortable riding on a cold day.
- Adjust the temperature by repeatedly pressing the switch. The temperature can be adjusted to five levels.
- The heated grip maintains the selected level when the ignition switch is turned off.
- The heater level is not saved if the ignition switch is turned to the OFF position within 5 seconds of changing the heater level.
- Do not leave the heated grip in the high position for a long time on a warm day.

INDICATOR

- Displayed when the heated grips are on.
- The selected heater level is indicated by the number of times the indicator blinks when the heater is turned on and the heater level is changed. For example, If you select heater level 5, the indicator blinks 5 times and repeats it 7 times.

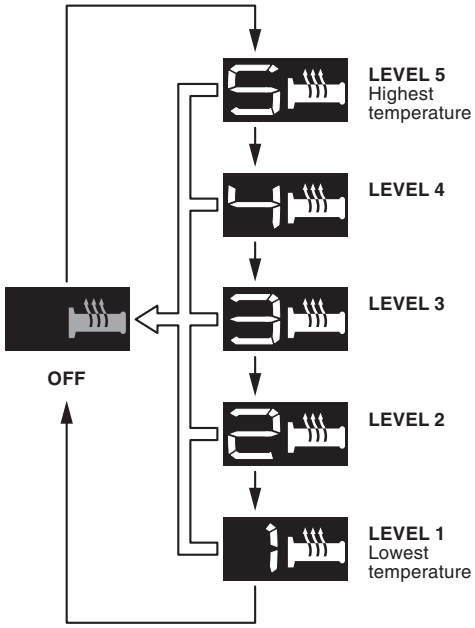
HEATER LEVEL

- The selected heater level is indicated for a few seconds when the heater switch is operated.

HEATED GRIP STATUS ICON

- Displayed when the heated grips are on.
- If the heated grips system has an error, the heated grips status icon will blink. If the "E1", "E2" or "E3" blinking does not go off, see your Honda dealer as soon as possible.



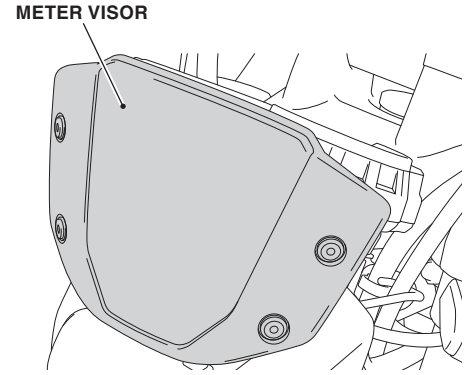


HOW TO USE THE HEATED GRIPS

1. Start the engine.
2. Press the heater switch. The heated grips are on.
3. Select the heater level by pressing the heater switch.
 - The clock on the display automatically switches to indicate the heater level. The indicator will return to the ordinary mode after blinking for about 5 seconds.
4. To turn off the heater, press the heater switch until the status icon on the display disappears.
 - Also to turn off, press and hold the heater switch.

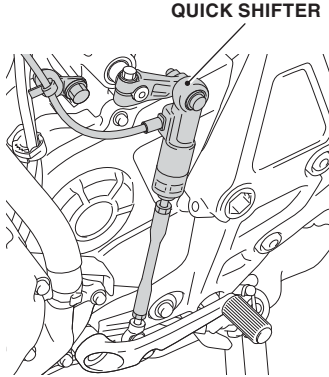
← Press the heater switch.
 ← Press and hold the heater switch.

METER VISOR



- When this accessory becomes dirty, rinse it thoroughly with cool water to remove loose dirt, then wipe with a clean cloth or sponge. Do not use a brush to clean this accessory as it may scratch the surface.
- Never use organic solvents such as gasoline, thinner and benzene to clean this accessory. Also do not use acid or alkaline cleaners to clean this accessory. Wipe up spilled brake or battery fluid at once as they may damage the surface.
- Handle this accessory with care. It can be damaged when it is bent excessively or is subject to strong shock or impact.

QUICK SHIFTER

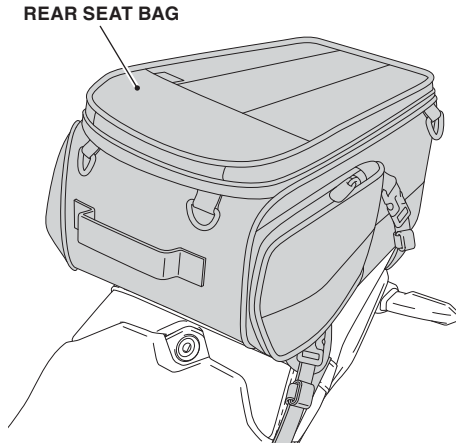


- Do not disassemble the quick shifter.
- If the gear position display is not normal, the shift feeling may change.
- When the shift change does not operate normally, the shift change can be operated by clutch operation.
- If the PGM-FI malfunction indicator lamp comes on or the gear position indicator flashes "-" in the current gear position, the Quick Shifter system may not operate. If either of the above occurs, contact your dealer as soon as possible.

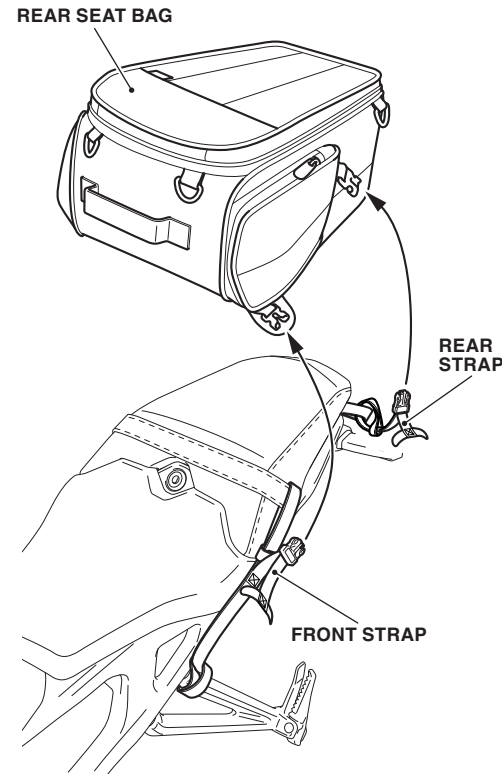
HOW TO USE THE QUICK SHIFTER

- This accessory enables up and down gear shifting without using the clutch during acceleration/deceleration (Engine speed is more than 1,350 rpm on upshifting or more than the idle speed on downshifting).
- This system does not function when upshifting with the throttle closed.
- This system does not function when the clutch lever is being operated.

REAR SEAT BAG

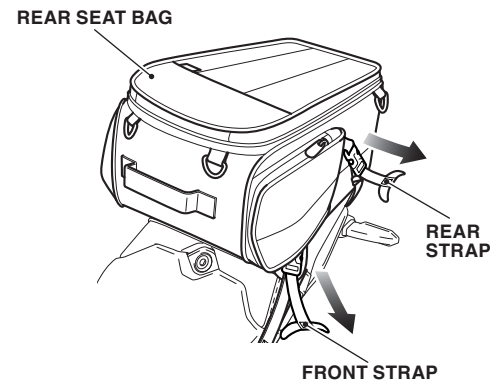


- The weight of the cargo must not exceed the following maximum weight capacity:
Rear seat bag 8.8 lb (4.0 kg)
 - Be sure that the rear seat bag is installed securely before riding.
 - Before riding, close the rear seat bag.
 - The rear seat bag is not perfectly watertight, and water may enter when it rains, etc.
 - Do not store valuables or fragile articles in the rear seat bag.
 - To prevent burns, allow the engine, exhaust system, radiator, etc., to cool before installing and removing the accessory.
 - When washing the motorcycle and when leaving the motorcycle, remove the rear seat bag.
 - Do not let anybody ride on the rear seat bag.
 - Never use organic solvents such as gasoline, thinner and benzene to clean this accessory. Also do not use acid or alkaline cleaners to clean this accessory.
- Wipe up spilled brake or battery fluid at once as they may damage the surface.



HOW TO INSTALL THE REAR SEAT BAG

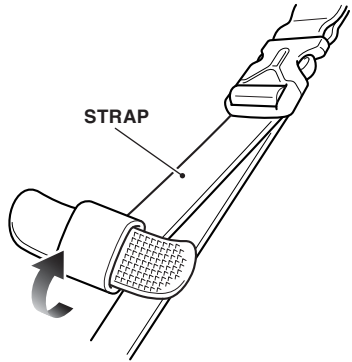
1. Install the rear seat bag as shown.
 - Repeat on the right side.



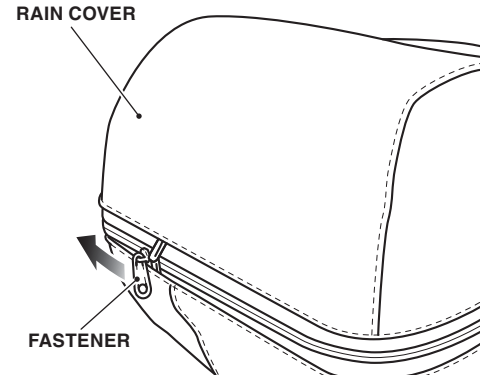
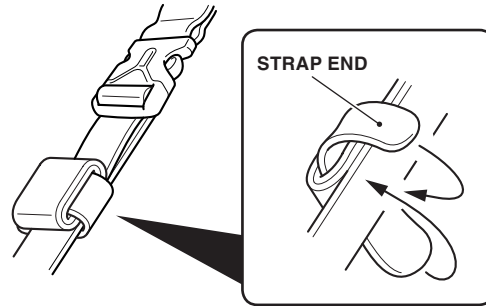
2. Tighten the straps while adjusting the balance between the right and left sides of the rear seat bag as shown.
 - Repeat on the right side.
 - Secure well by pulling the straps tight.

CB1000RA

Genuine Accessory User's Guide



3. Wind the strap as shown.
4. Secure the strap end as shown.

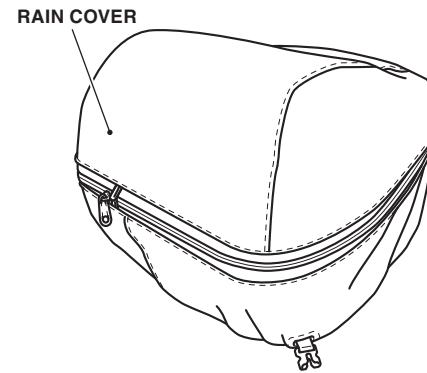


HOW TO USE THE RAIN COVER

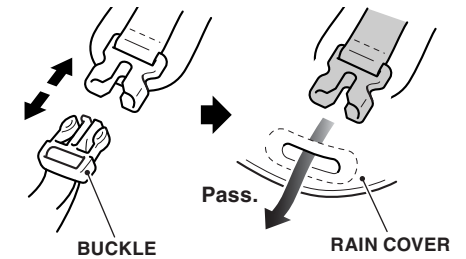
1. Open the fastener as shown.
 - Perform this step on the extended rear seat bag.



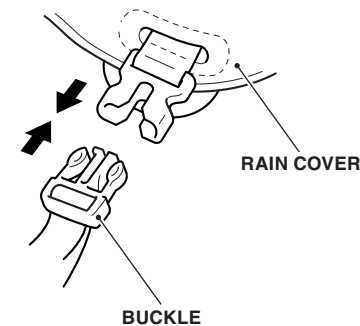
5. Secure the other straps in the same manner.
6. Make sure that the rear seat bag does not protrude to the rear of the tail light as shown.
 - If the rear seat bag protrudes, adjust the tensions of front strap and rear strap.



2. Temporarily release the buckles and pass them through the rain cover holes as shown.



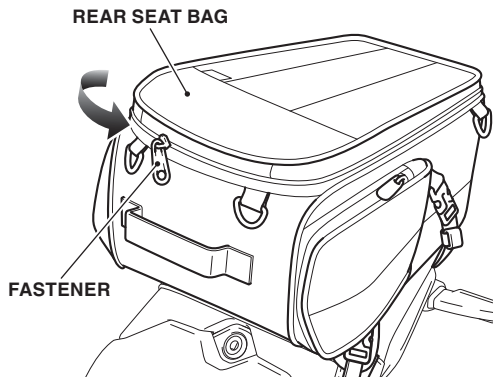
3. Cover the rain cover as shown.



4. Lock the buckles as shown.

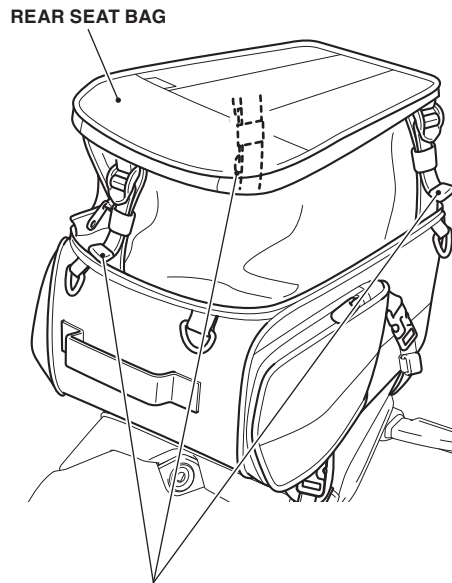
CB1000RA

Genuine Accessory User's Guide



HOW TO EXTEND THE REAR SEAT BAG

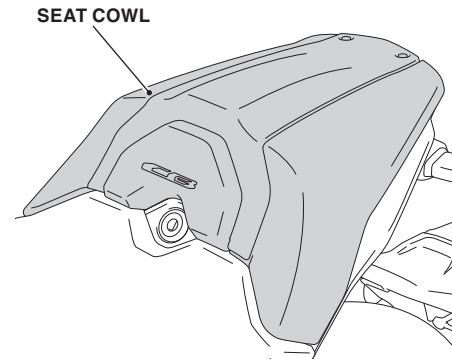
1. Open the fastener as shown.



2. Pull up the rear seat bag as shown.

Firmly pull to secure the belts.

SEAT COWL

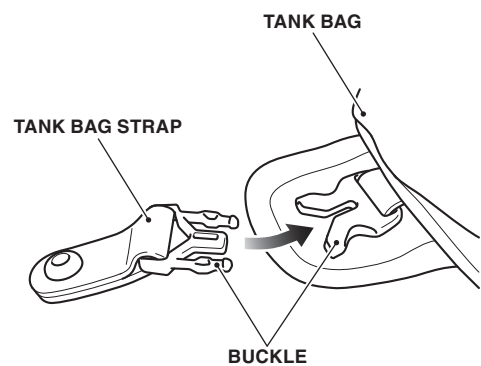


- Do not allow passengers to ride on the seat cowl.
- Do not attach luggage to the seat cowl.
- When this accessory becomes dirty, rinse it thoroughly with cool water to remove loose dirt, then wipe with a clean cloth or sponge. Do not use a brush to clean this accessory as it may scratch the surface.
- Never use organic solvents such as gasoline, thinner and benzine to clean this accessory. Also do not use acid or alkaline cleaners to clean this accessory. Wipe up spilled brake or battery fluid at once as they may damage the surface.

TANK BAG



- The weight of the cargo must not exceed the following maximum weight capacity:
Tank bag 2.2 lb (1.0 kg)
- Be sure that the tank bag is installed securely before riding.
- Before riding, close the tank bag.
- The tank bag is not perfectly watertight, and water may enter when it rains, etc.
- Do not store valuables or fragile articles in the seat bag.
- When washing the motorcycle and when leaving the motorcycle, remove the tank bag.
- Before installation, remove all dust, sand, etc. from fuel tank and tank bag, as otherwise the fuel tank may be damaged.
- Never use organic solvents such as gasoline, thinner and benzine to clean this accessory. Also do not use acid or alkaline cleaners to clean this accessory. Wipe up spilled brake or battery fluid at once as they may damage the surface.

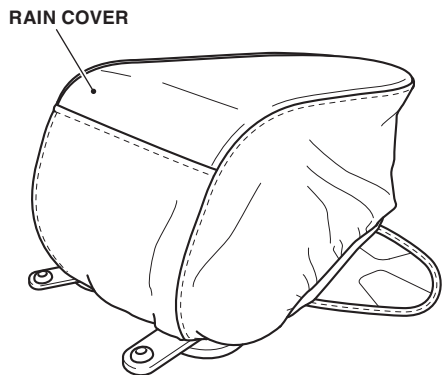


HOW TO INSTALL THE TANK BAG

1. Lock the buckle as shown.



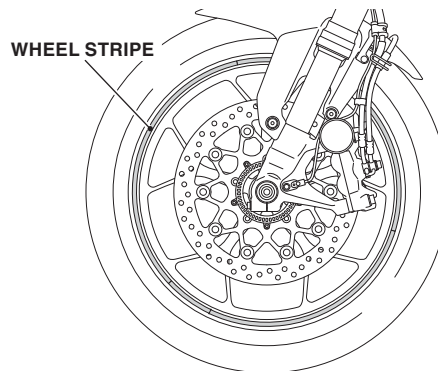
2. Install the tank bag as shown.



HOW TO USE THE RAIN COVER

1. Put the rain cover on the tank bag as shown.

WHEEL STRIPE



- When this accessory becomes dirty, rinse it thoroughly with cool water to remove loose dirt, then wipe with a clean cloth or sponge. Do not use a brush to clean this accessory as it may scratch the surface.
- Never use organic solvents such as gasoline, thinner and benzine to clean this accessory. Also do not use acid or alkaline cleaners to clean this accessory. Wipe up spilled brake or battery fluid at once as they may damage the surface.
- Do not wash the motorcycle with a high-pressure washer, as this may peel off the wheel stripes.