



INSTALLATION INSTRUCTIONS

Accessory

Heated Grips Kit
P/N 0ST71-HR3-A00

Application

After '13 TRX420 All
(except '14 TRX420FA/FPA)
After '13 TRX500 All
(except '14 TRX500FA/FPA)

Publication No.

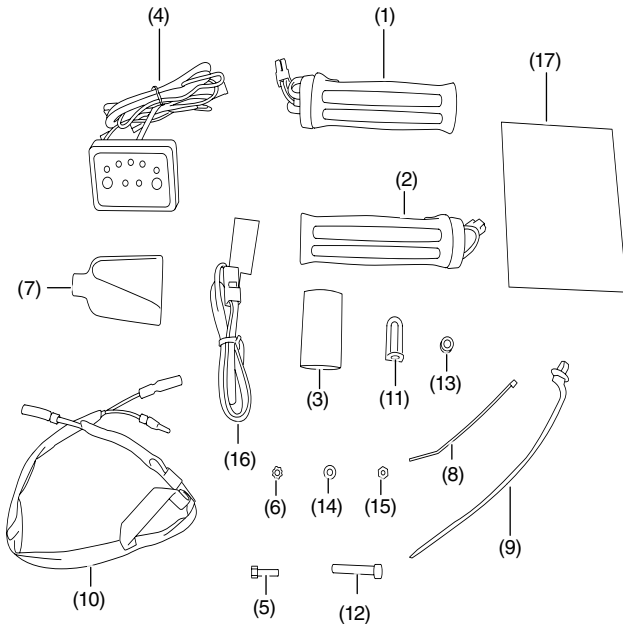
MII 15753

Issue Date

March 2017

Honda Dealer: Please give a copy of these instructions to your customer.

PARTS LIST

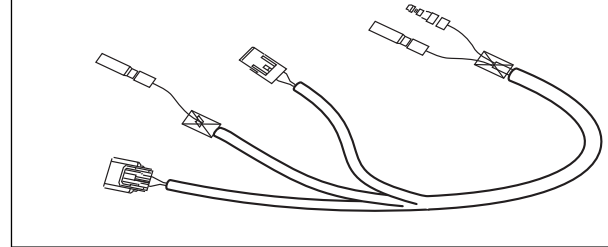


No.	Description	Qty
(1)	Right heated grip	1
(2)	Left heated grip	1
(3)	Shrink tube	1
(4)	Dual zone controller	1
(5)	4 x 16 mm bolt	1
(6)	External lock washer	1
(7)	Connector cover	1
(8)	Wire tie, small	1
(9)	Wire harness clip/tie	1
(10)	Heated grips sub-harness	1
(11)	L bracket	1
(12)	6 x 30 mm socket bolt	1
(13)	Collar	1
(14)	4 mm flat washer	1
(15)	4 mm lock nut	1
(16)	Thumb warmer	1
(17)	Installation Instruction URL	1

Sub-Harness

Sold separately P/N 08Z01-HR3-A20

The Heated Grip Kit requires installation of the Accessory Sub-Harness.



TOOLS AND SUPPLIES REQUIRED

- Phillips screwdriver
- Torque wrench
- Hex wrench (3 mm)
- Hex wrench (5 mm)
- End wrench (7 mm)
- Socket (10 mm)
- Socket (12 mm)
- Ratchet
- Isopropyl alcohol
- Shop towel
- Heat gun
- Electrical tape

TORQUE CHART

Refer to the Service Manual for the torque values of the removed parts.

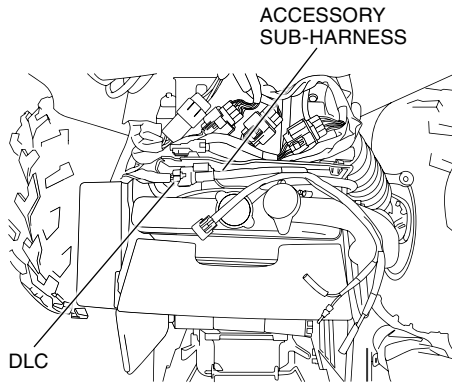
Item	N·m	kgf·m	lbf·ft
4 mm screw	1.5	0.15	1.1

USE AND CARE INFORMATION

- Check the accessory mounts frequently and retighten if necessary.
- Read through these instructions completely prior to installation of the heated grips kit.

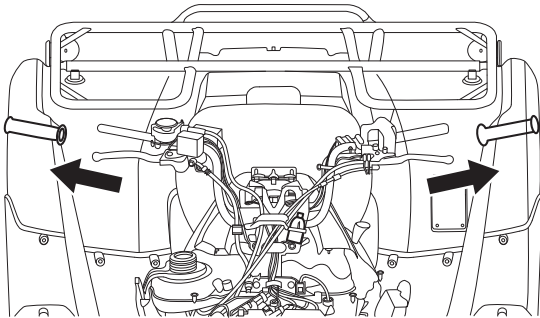
ACCESSORY SUB-HARNESS INSTALLATION

1. Using the procedures in the appropriate Service Manual, remove the Front Fender/Carrier.
2. Using the procedures in the appropriate Service Manual, remove the Assist Headlight (TRX500)/ Combination Meter or Cover (TRX420) from the handlebar.
NOTE: Do not disconnect the headlight/meter connections, just remove it from the handlebar and set it aside.
3. Connect the accessory sub-harness to the DLC (4-P red connector) as shown.



HEATED GRIPS INSTALLATION

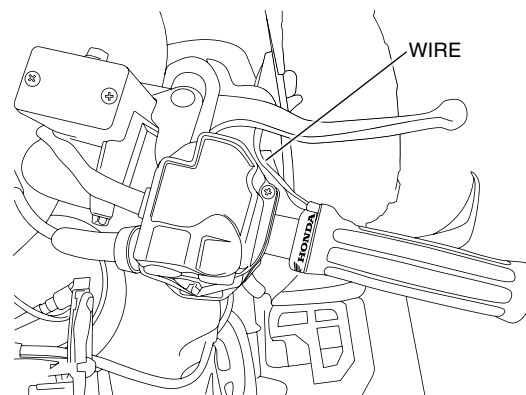
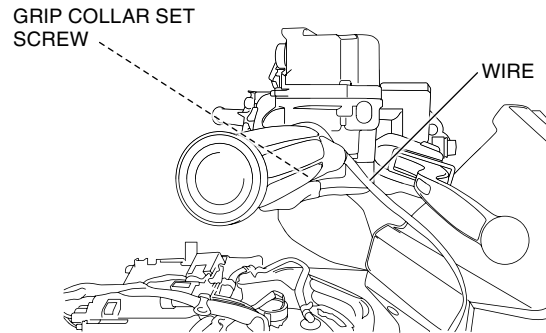
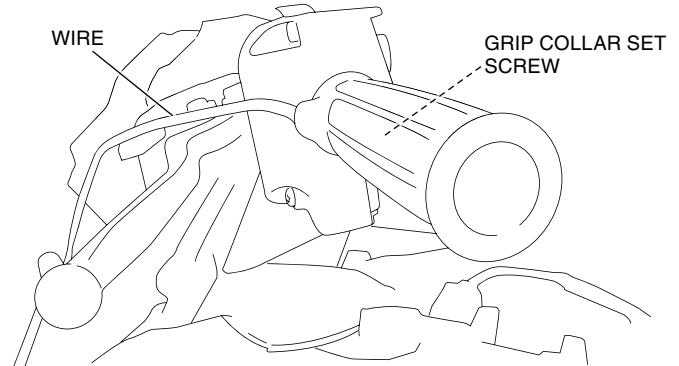
1. Remove the existing left and right grips from the handlebar. Use isopropyl alcohol to remove any remaining adhesive or residue.



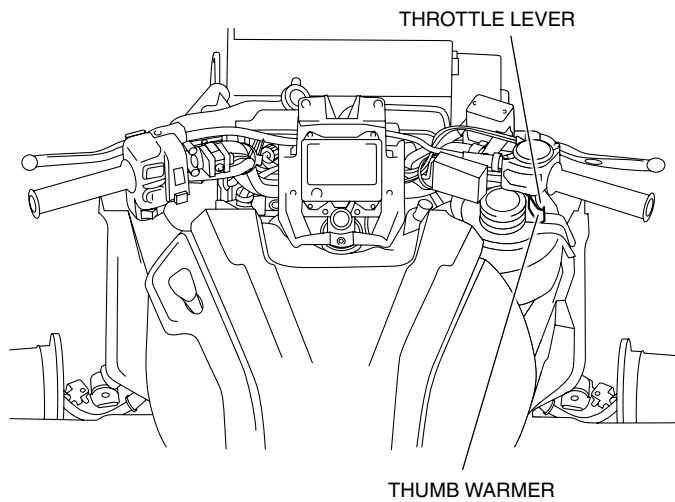
2. Position the left grip so the Honda logo is facing up with the wire facing forward and push it onto the handlebar. Tighten the grip collar set screw.
3. Position the right grip so the Honda logo is facing up with the wire facing forward and push it onto the handlebar.

Tighten the grip collar set screw.

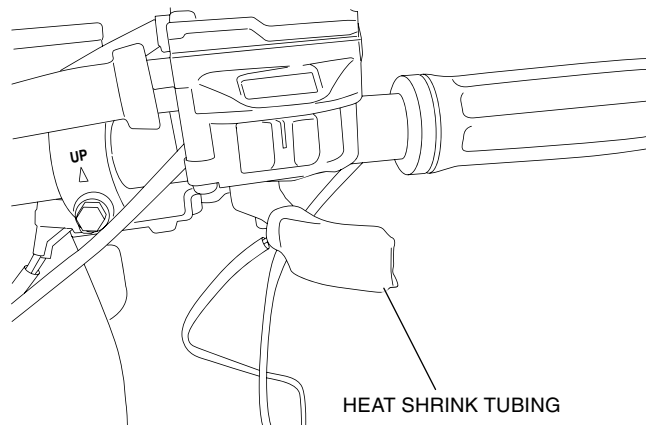
- Honda logo should be facing up with the wire facing forward.
- Both heated grips should be the same angle.



- Clean the face of the throttle lever with isopropyl alcohol.
- Peel the backing paper from the thumb warmer. Install the thumb warmer to the front side of the throttle lever as shown.

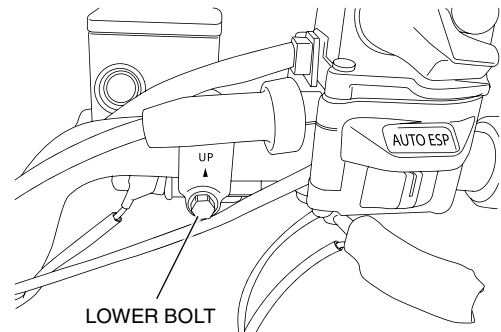


- Slide the heat shrink tubing over the thumb warmer and throttle lever. Use a heat gun to shrink the tubing.

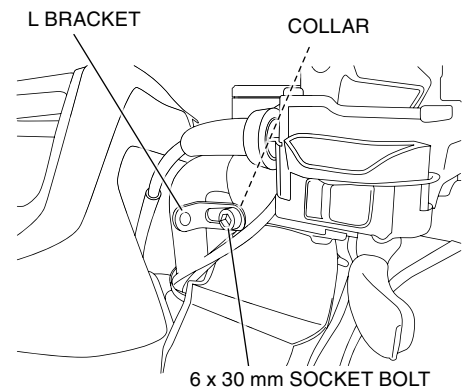


DUAL ZONE CONTROLLER INSTALLATION

- Remove the lower bolt from the front brake master cylinder mount as shown.



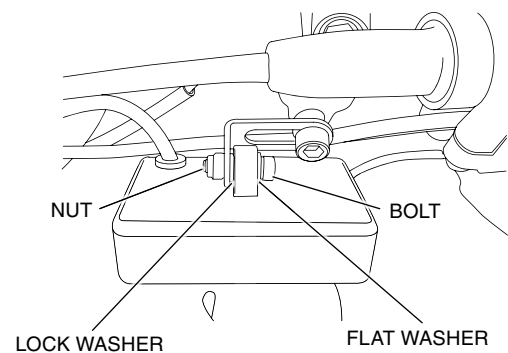
- Install the collar, L-bracket, and 6 x 30 mm socket bolt to the front brake master cylinder mount in the position shown.



- Install the controller to the L-bracket with the 4 x 16 mm bolt, flat washer, lock washer, and nut as shown.

NOTE: Make sure the lock washer is between the controller and the L-bracket.

Rotate the controller to allow the best view for the rider then tighten the bolt and nut.

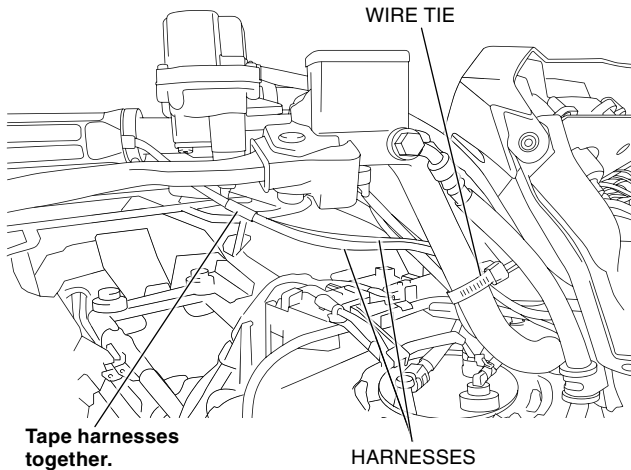


- Route the right heated grip and thumb warmer harnesses along the handlebar and under the meter stay.

Tape the heated grip and thumb warmer wire harnesses together as shown.

Route the dual zone controller wire harness alongside the handlebar as shown.

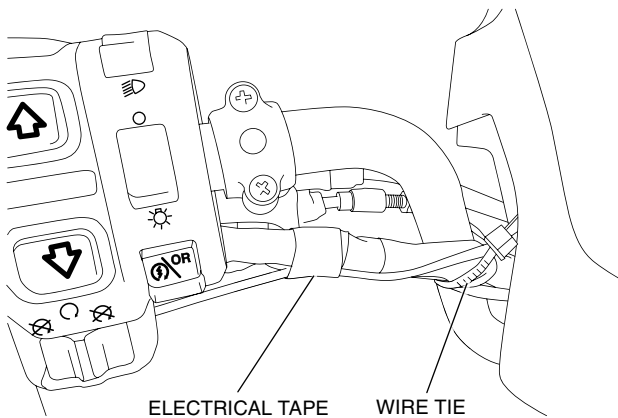
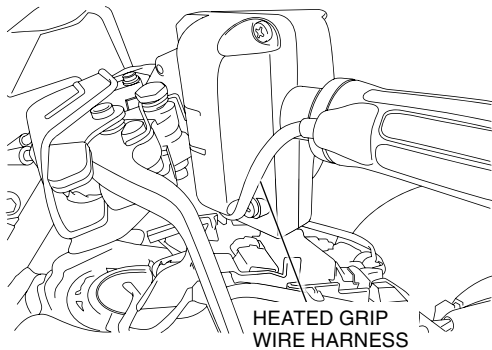
Secure the heated grips harnesses to the handlebar with the existing wire tie.



Tape harnesses together.

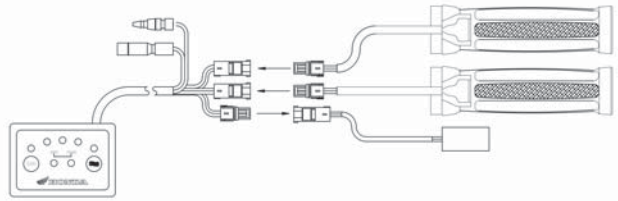
- Route the left heated grip wire harness along the handlebar and under the meter stay.

Secure the grip harness to the switch harness with electrical tape and the harnesses to the handlebar with the existing wire tie in the position shown.

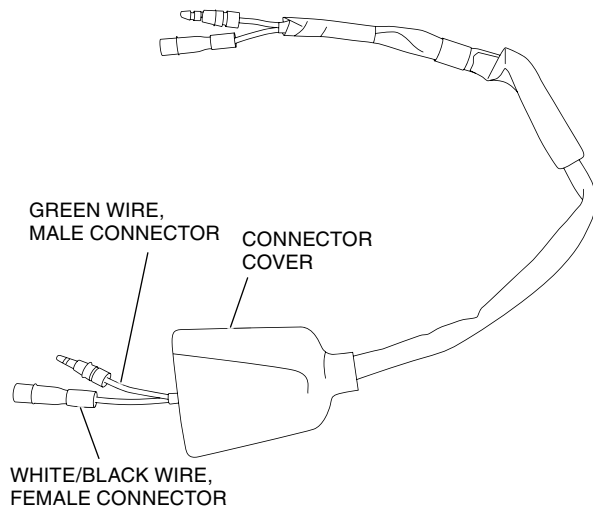


- Connect the left and right heated grips and thumb warmer to the corresponding connectors from the dual zone controller.

NOTE: The grip connectors are interchangeable.

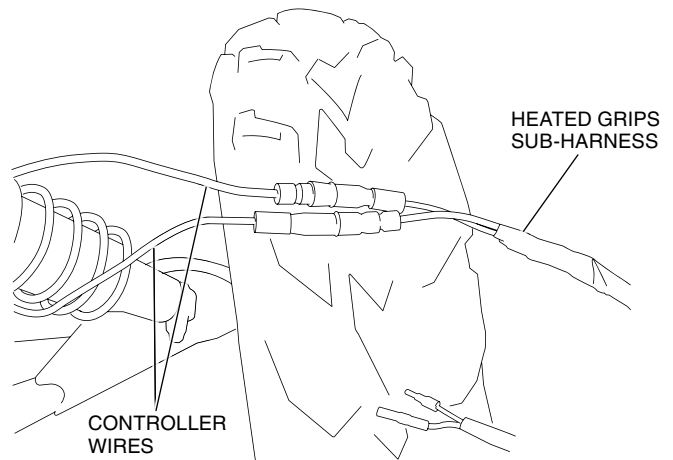


- Slide the connector cover over the heated grips sub-harness as shown.



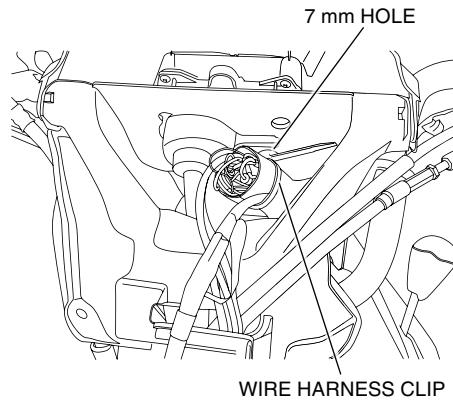
- Connect the heated grips sub-harness Green wire to the heated grips controller Black wire.

Connect the heated grips sub-harness White/black wire to the heated grips controller Red wire.



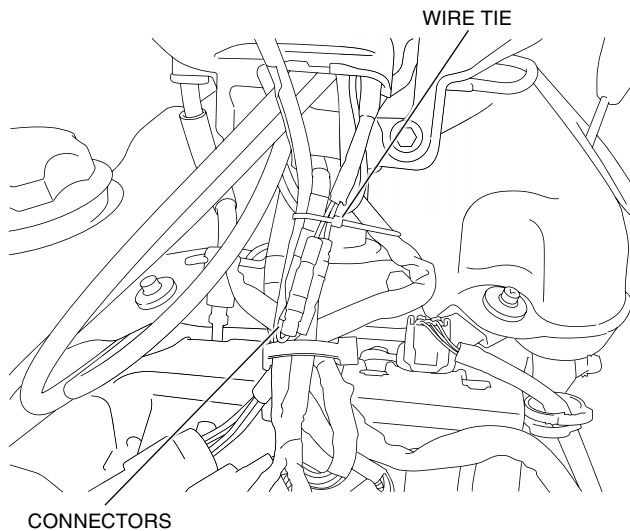
- Bundle the three black connectors and the bullet connectors together and then slide the connector cover over the bundle.

Attach the wire harness clip into the 7 mm hole located in the meter stay and secure the connectors/cover as shown.



- Connect the heated grips sub-harness to the accessory sub-harness connectors by corresponding wire color.

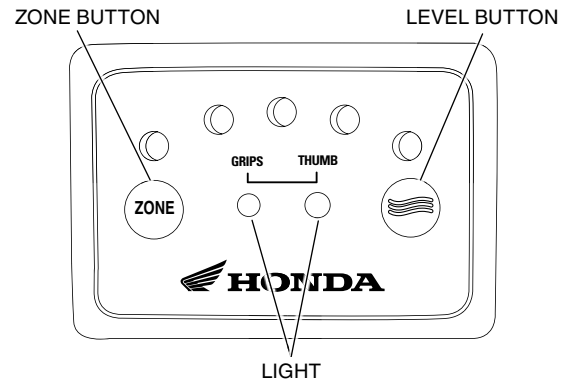
Secure the connectors with the supplied wire tie.



- Check the wire harness routing for heated grips kit.
 - Operate the reverse switch, brake, and throttle at all steering positions to confirm that no wires are pinched or taugt.
- Reinstall the removed parts in reverse order of removal.

OPERATING INSTRUCTIONS

After controller installation, adjust the heat level of the heated grips and thumb warmer:



- When the ignition switch is turned ON, the light below GRIPS will illuminate.
- Press the ZONE button to switch between GRIPS and THUMB and adjust the heat level of each independently. The light below the selected component will illuminate.
- Press the LEVEL button repeatedly to select the heat level for the heated grips. Each time the button is pressed another light will come on indicating a higher heat level. Pressing the LEVEL button five times will provide the highest heat level. When LEVEL is pressed again, the heat will shut off and the heat level selection will start over.
- Press the ZONE button to switch from GRIPS to THUMB. The light below THUMB will come on. Press the LEVEL button repeatedly to select the heat level for the thumb warmer. Setting the heat level for the thumb warmer will not affect the heat level previously set for the heated grips.
 - The temperature controller will shut off automatically after two hours if no adjustments are made. To reactivate the temperature controller press the ZONE button and reset the desired heat level(s).
 - Press and hold both ZONE and LEVEL buttons at the same time to change the intensity of the lights for night or day operation.
 - To turn the controller on or off, press and hold the ZONE button for two seconds.
 - The controller has a memory function. When the power is turned off, the selected heat level settings will be stored.