



INSTALLATION INSTRUCTIONS

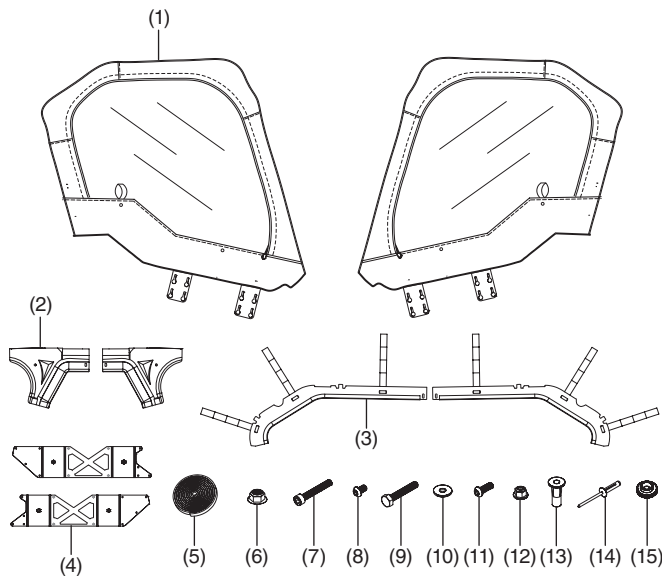
Accessory
**FABRIC REAR DOORS
(BLACK)**
P/N 0SR90-HL8-210B

Application
SXS1000M6

Publication No.
MII 17844
Issue Date
August 2022

Honda Dealer: Please give a copy of these instructions to your customer.

PARTS LIST



No.	Description	Qty
(1)	Upper door (left and right side)	1 ea.
(2)	Mid OPS cover (left and right side)	1 ea.
(3)	Upper rear OPS seal piece (left and right side)	1 ea.
(4)	Door bracket (left and right side)	1 ea.
(5)	Self-adhesive (SA) foam tape	1
(6)	8 mm flange nut	1
(7)	6 × 40 mm socket bolt	2
(8)	6 × 10 mm socket bolt	4
(9)	6 × 40 mm bolt	1
(10)	6 mm washer	8
(11)	6 × 18 mm socket bolt	4
(12)	6 mm nylon flange nut	4
(13)	6 mm jacknut	2
(14)	Bulb rivet	24
(15)	Thumb screw cap	2
(16)	Zipper lubricant (not shown.)	1
(17)	Installation Instruction URL (not shown.)	1

NOTE:

Rear doors must be used in combination with front doors, a windshield/windscreen, and a roof or roof/rear panel.

TOOLS AND SUPPLIES REQUIRED

- Gloves
- Safety goggles
- Punch or awl
- Drill
- Drill bit (5 mm & 9.5 mm) (3/16" & 3/8")
- Open end wrench (10 mm & 14 mm)
- Standard slotted screw driver
- Vice or press

USE AND CARE INFORMATION

- Completely read and understand the instructions before installing this accessory.
- Do not tow the vehicle on an open trailer with this accessory installed, as the accessory is not designed for use at highway speeds.
- To clean, sponge with mild soap and cold water, rinse with a hose and allow it to drip-dry.
- Do not machine wash or dry.
- Use mild detergent to remove stubborn stains.
- The windows can be rolled up and stowed using the webbing straps and snaps.
- When not in use, the window roll up straps can be fastened to themselves using the snaps.
- Routinely clean and lubricate the window zipper using the supplied lubricant.
- If the window zipper sticks do not force it. Remove any obstructions and clean the zipper teeth. Re-lubricate, and ensure the zipper operates smoothly before attempting to open or close further.
- Clean the zipper using a toothbrush with soap and water and rinse as needed to keep it free of dust and dirt. Once the zipper has dried, lubricate the teeth using the supplied lubricant.

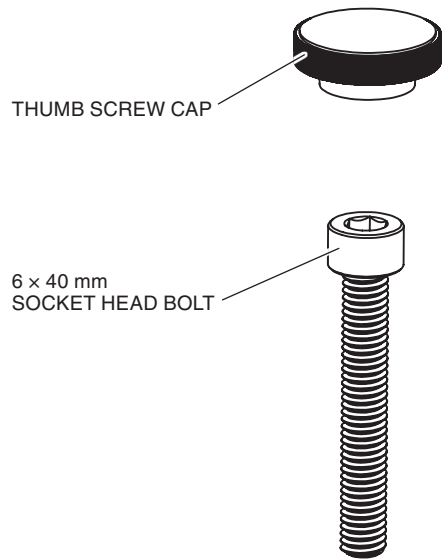
NOTICE:

This accessory will create the need for more frequent air cleaner maintenance. Service the air cleaner daily when operating in dusty conditions.

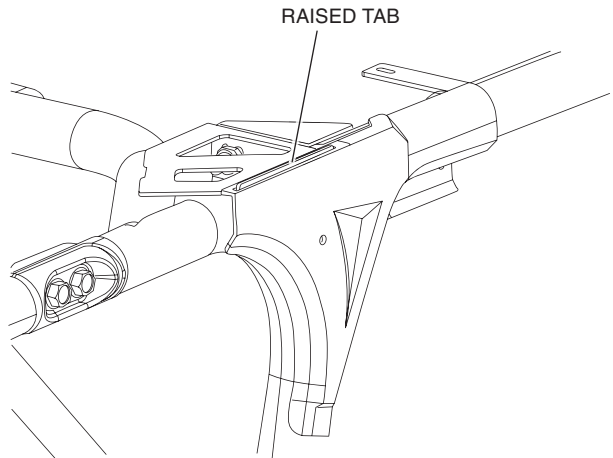
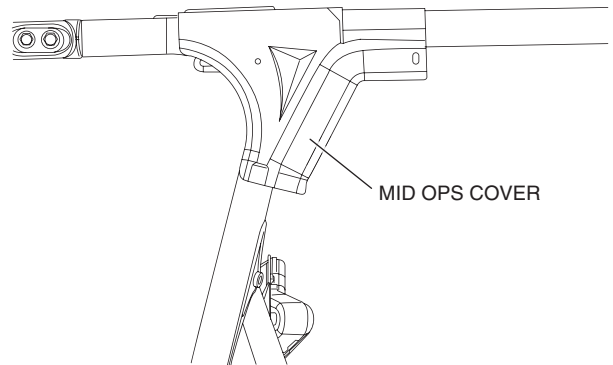
If the vehicle is equipped with plastic outer panels on the rear doors, refer to the service manual for the vehicle, remove the outer plastic panels. Reinstall the outer plastic panels before driving the vehicle.

INSTALLATION

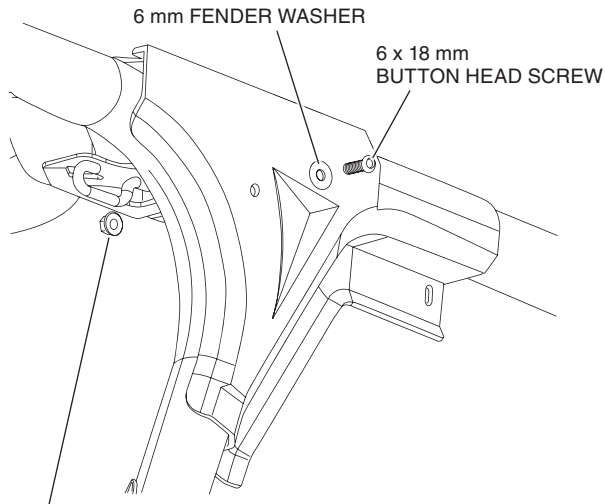
1. Assemble the two (2) thumb screws. Using a vice or press, press the thumb screw caps onto the 6 x 40 mm SHCS.



2. Seat the mid OPS Covers onto the OPS tubes between the front and rear doors.
Ensure that the slot in the OPS cover fits over the raised tab on the OPS bracket.



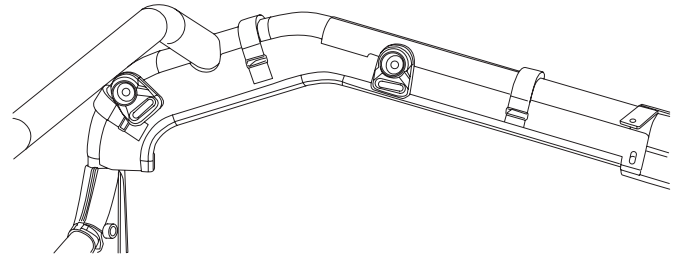
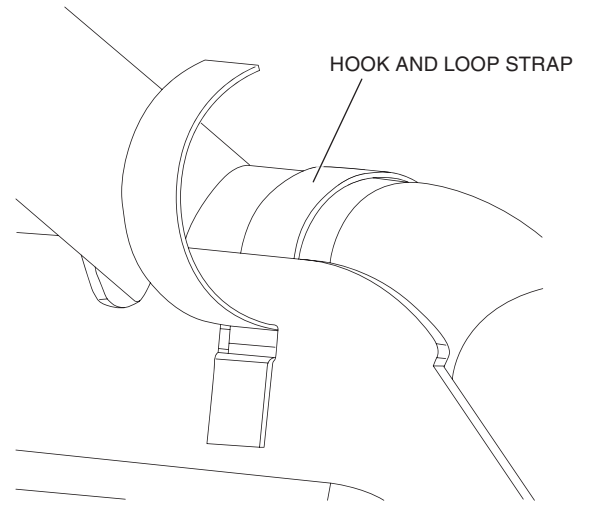
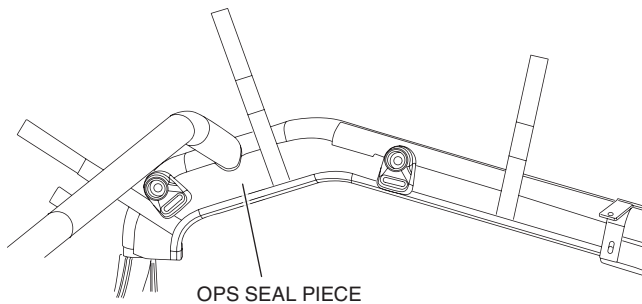
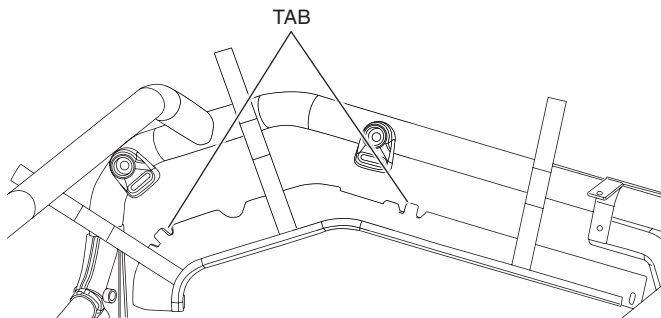
- Secure the left OPS cover using a 6 × 18 mm button head screw, 6 mm fender washer, and a 6 mm nylon insert flange nut as shown. Repeat on the other side.



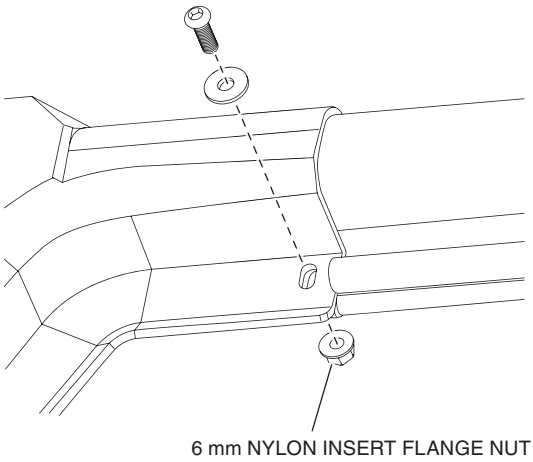
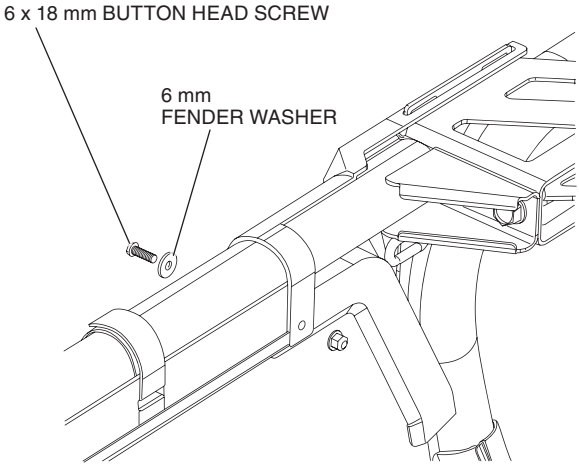
- Install the left upper OPS seal piece to the inside of the upper frame tubes. Locate the seal piece by inserting the tabs into the slots under the safety net mounting locations as shown.

Thread each hook and loop strap out through the hole in the seal piece, around the frame tube, back through the hole in the seal piece, and then back to itself.

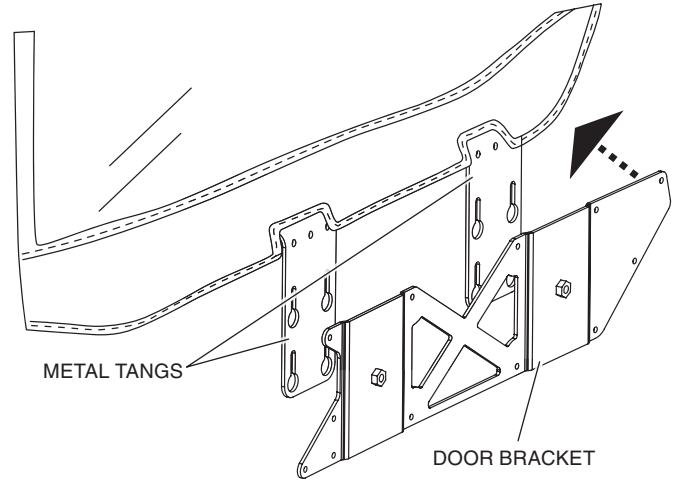
Install the right upper OPS seal piece using the same procedure



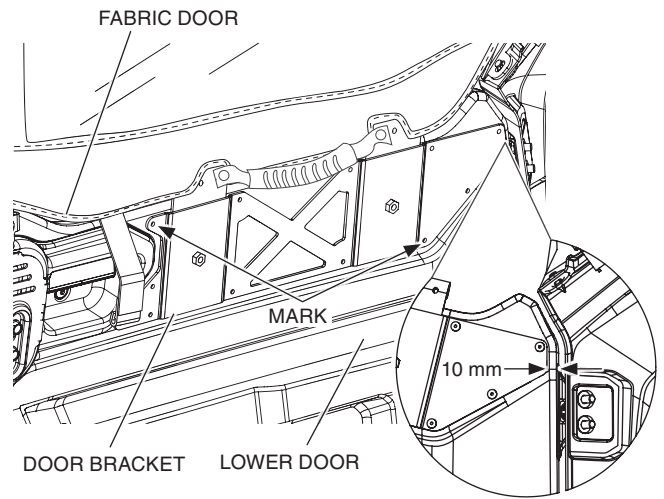
- Assemble the left mid OPS cover and upper OPS seal piece.
 Bend the tab on the mid OPS cover over the OPS tube and behind the upper OPS seal piece.
 Secure the two pieces together using an 6 x 18 mm button head screw, 6 mm fender washer, and a 6 mm nylon insert flange nut as shown.
 Repeat on the other side.



- Slide the left door bracket over the metal tangs on the bottom of the door frame as shown.
 Temporarily tape door bracket to the fabric door if necessary.
 Position the right door bracket to the right fabric door frame using the same procedure.



- Place the assembled fabric door frame and bracket onto the left lower door so that the left door bracket is 10 mm from the front edge of the lower door as shown.
 Using a punch or awl, mark the lower door through a hole at each end of the bracket as shown.
 Remove the fabric door frame and door bracket.
 Drill a 5 mm (3/16 in) hole at each mark.
 Mark the right lower door using the same procedure.



8. Align the left door bracket with the drilled holes.
Insert a bulb rivet into each drilled hole (do not set the rivets at this time) to hold the door bracket in place.

Check fit the left fabric door by placing it onto the left lower door and into the door bracket.

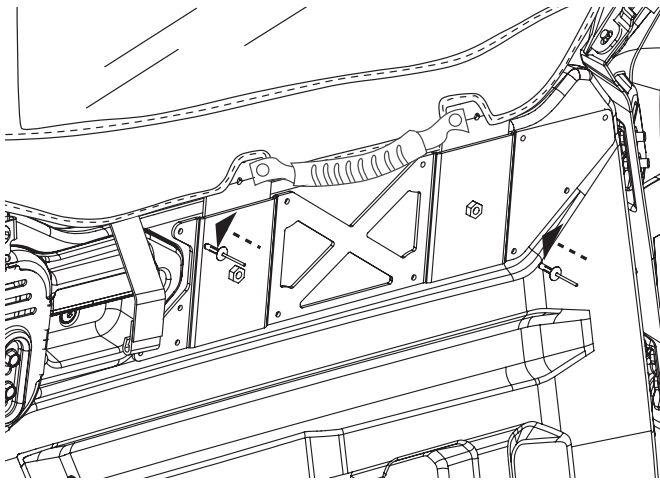
NOTE: Be sure that the fabric door is centered between the front and rear OPS frame tubes and that it is well seated in the cover/seal retainer assembly.

Once the door fit is verified, remove the fabric door and set the two placed bulb rivets in the door bracket with a rivet tool.

Drill a 5 mm (3/16 in) hole into the lower door at the ten remaining door bracket mounting hole locations.

Insert and set a bulb rivet into each mounting hole.

Install the right door bracket using the same procedure.



9. Open the left lower door and install the fabric door into the door bracket. Unzip the fabric zipper at the lower rear of the fabric door (not the clear window zipper) to access the interior door frame. Close the assembled door.

Perform a final check fit of the fabric door:

NOTE: Make sure that the fabric door is seated firmly against the lower door and is centered between the front and rear OPS frame tubes.

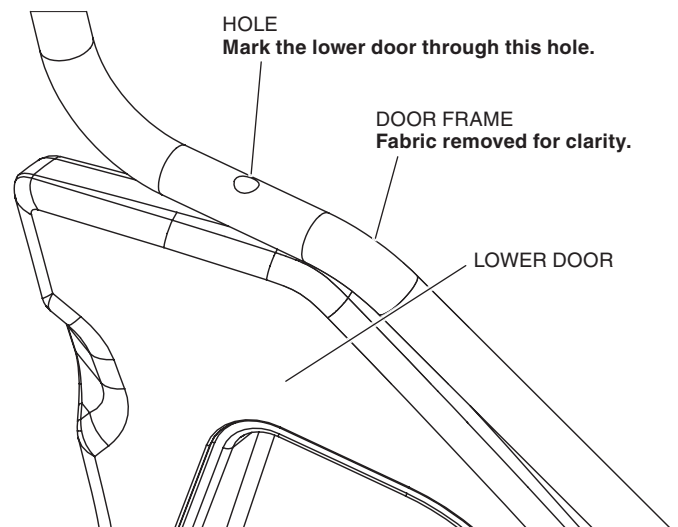
NOTE: Make sure the upper door is seated in the cover-seal-retainer assembly and there are no gaps between the fabric door and the OPS frame tubes.

Once the fit is verified, use a transfer punch or similar to mark the top edge of the lower door through the hole in the door frame as shown.

Remove the fabric door.

Drill a 9.5 mm (3/8 in) hole into the top edge of the left lower door at the punch mark.

Mark and drill the top edge of the right lower door using the same procedure.



10. Slide the 8 mm flange nut onto the 6 × 40 mm bolt with the flange facing away from the bolt head as shown.

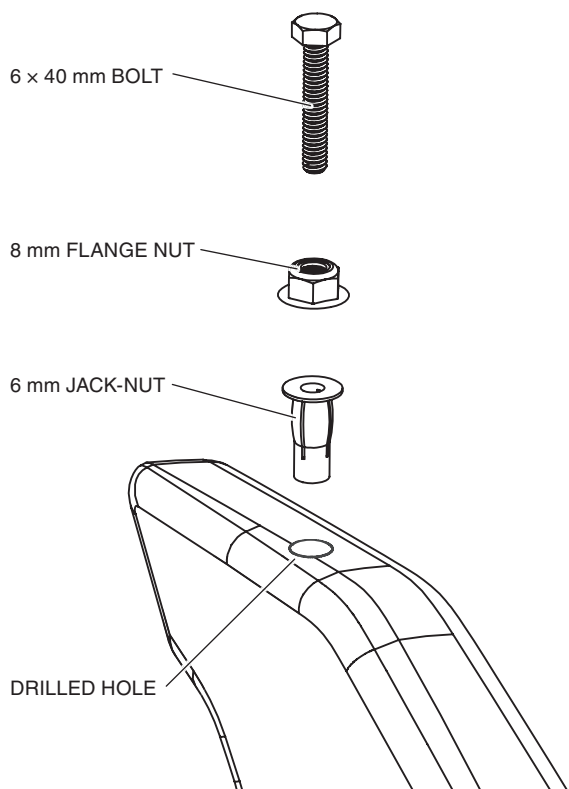
Thread the bolt with nut into the 6 mm jacknut, but do not compress the jacknut.

Insert a jacknut assembly into the hole drilled into each lower door.

Using a 14 mm wrench, hold the flange nut to prevent it and the jacknut from turning. Tighten the 6 × 40 mm bolt using a 10 mm wrench.

NOTE: Initially this will take minimal effort, but increased torque will be necessary as the jacknut is compressed. Once the jacknut is installed, remove the bolt and flange nut.

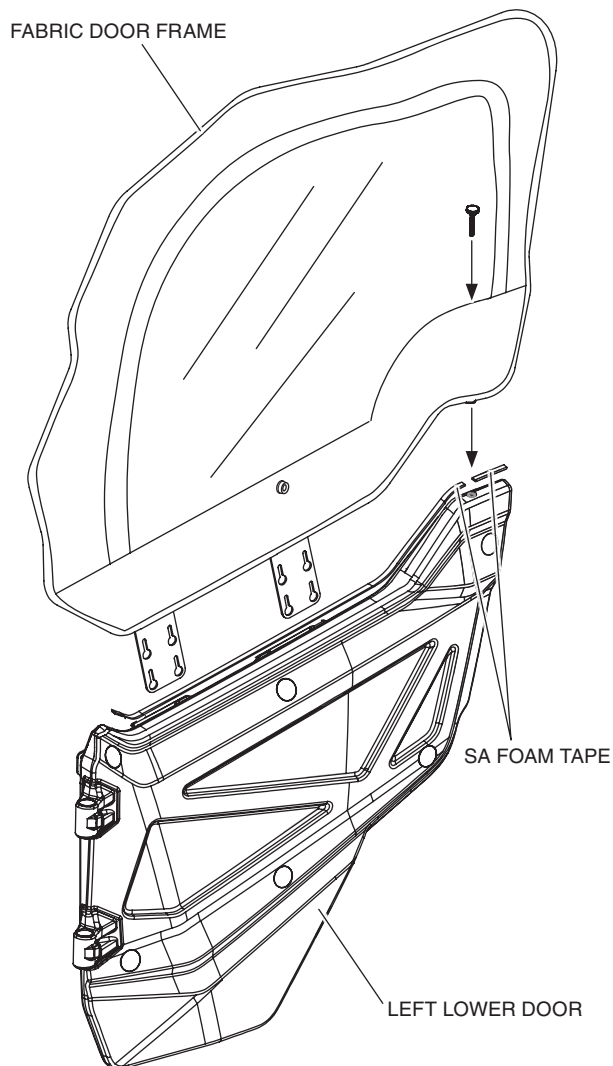
Assemble a second jacknut and install on the other side using the same procedure.



11. Clean and then dry the top edge of the left lower door.

Install the self-adhesive foam tape along the top of the left lower door so that it is centered under the fabric door frame as shown. Trim the tape so it does not cover the 6 mm jacknut.

Install the self-adhesive foam tape to the right lower door using the same procedure.



12. With the left lower door open, align the left fabric door with the left door bracket and firmly seat it onto the lower left door.

Install two 6 × 10 mm button head screws into the threaded center locations of the door bracket as shown.

Temporarily install the assembled thumbscrew through the door frame and into the jacknut on the top edge of the lower door as shown.

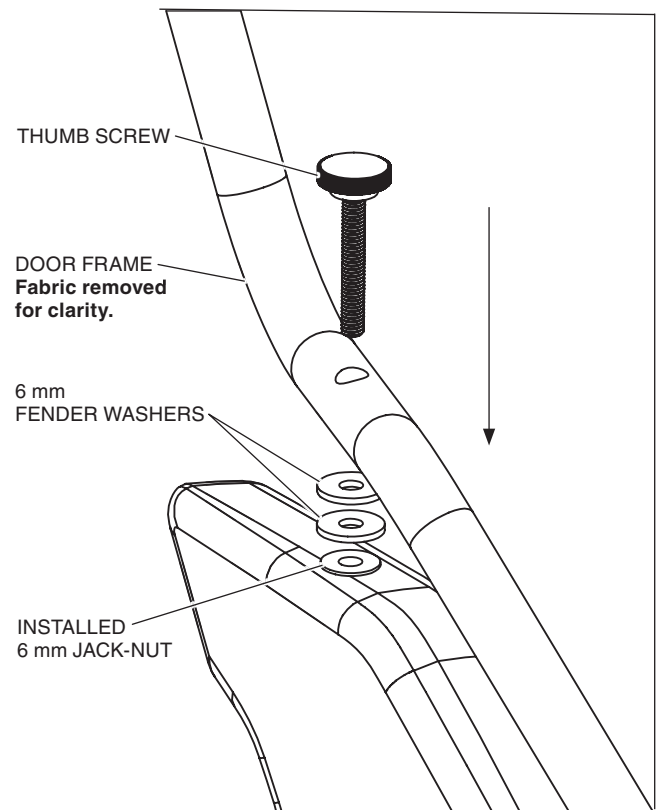
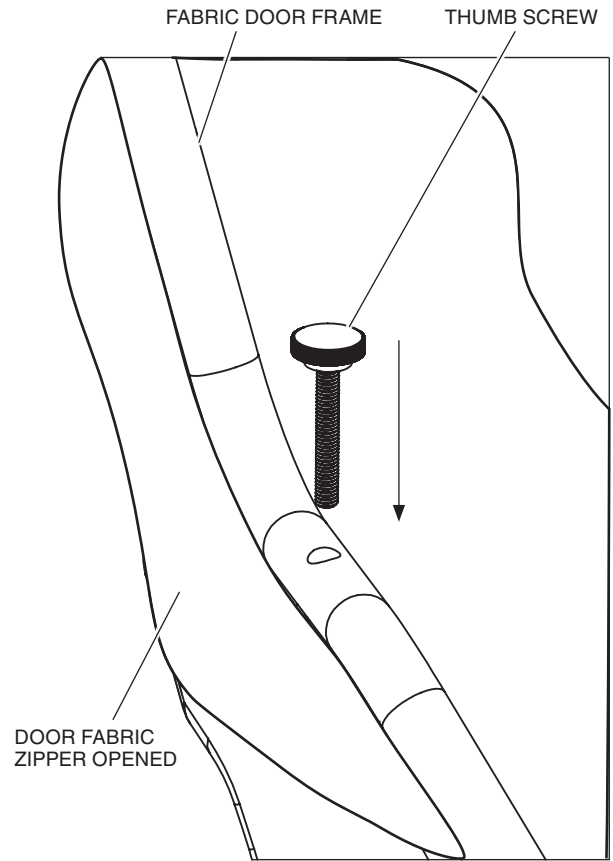
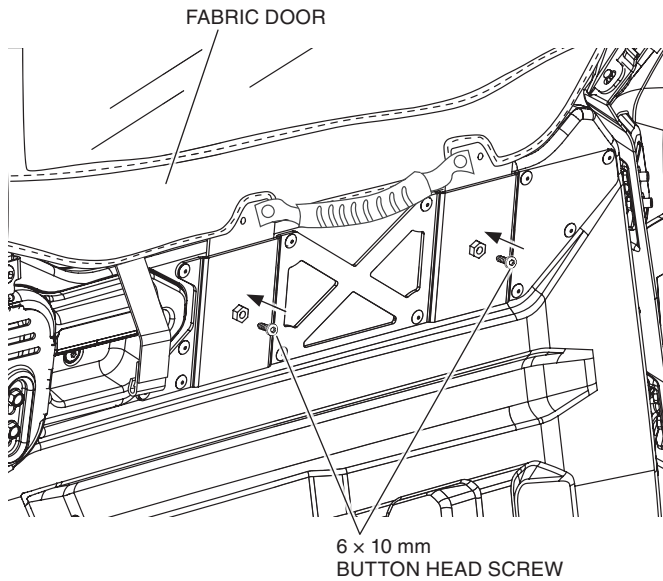
Close the zipper at the lower rear of the fabric door and then close the assembled door.

Check the fit of the assembled door.

NOTE: If the fabric door does not sit correctly within the OPS frame, install a 6 mm fender washer between the fabric door frame and the lower door to adjust the fit.

Tighten any loose fasteners.

Install and adjust the right fabric door using the same procedure.



13. Attach the webbing strap with J-channel onto the left lower door handle as shown.
Do the same for the right door assembly.

