



INSTALLATION INSTRUCTIONS

Accessory

**BIMINI TOP
P/N 0SR85-HL8-322A**

Application

SXS1000M6

Publication No.

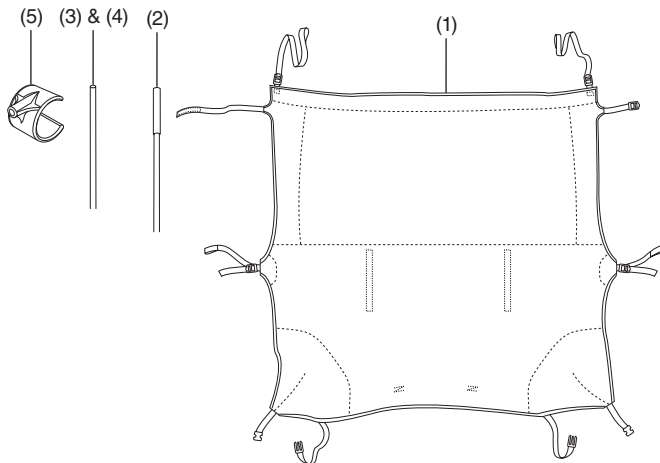
MII 17844

Issue Date

August 2022

Honda Dealer: Please give a copy of these instructions to your customer.

PARTS LIST



No.	Description	Qty
(1)	Bimini top	1
(2)	Fiber rod with ferrule – 31.5" overall length	4
(3)	Fiber rod – 33" length	2
(4)	Fiber rod – 30" length	2
(5)	Bar snap	8
(6)	Installation Instruction URL (not shown.)	1

TOOLS AND SUPPLIES REQUIRED

Gloves

Safety goggles

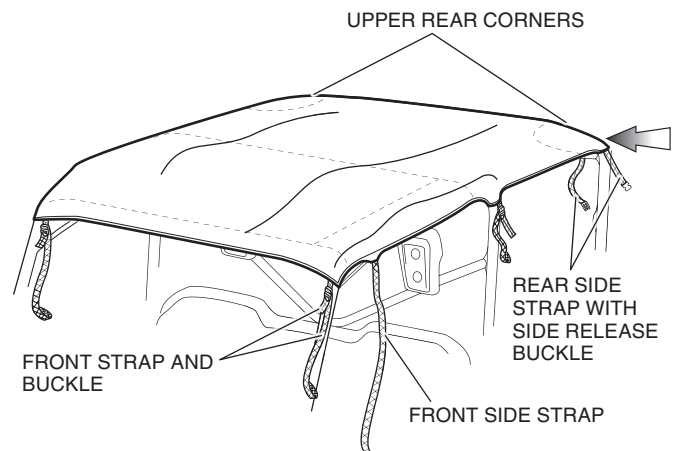
USE AND CARE INFORMATION

- Completely read and understand the instructions before installing this accessory.
- Do not tow the vehicle on an open trailer with this accessory installed, as the accessory is not designed for use at highway speeds.
- To clean, sponge with mild soap and cold water, rinse with a hose and allow it to drip-dry.
- Do not machine wash or dry.
- Use mild detergent to remove stubborn stains.

INSTALLATION

⚠ CAUTION: To prevent injuries, wear eye protection and gloves when handling the fiber rods.

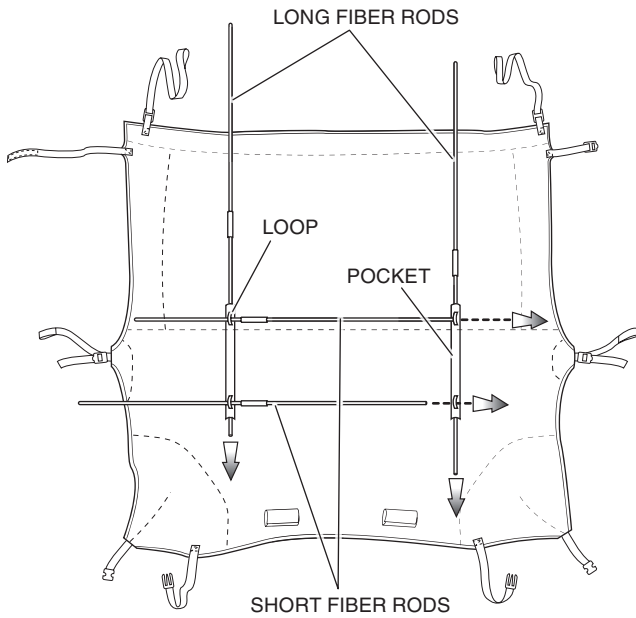
1. Assemble the fiber rods. Connect each of the fiber rods without a ferrule to a fiber rod with a ferrule. When complete there will be two fiber rods with a length of 63" and two fiber rods with a length of 60".
2. Lay the bimini top over the cab frame. The rear side straps with side release buckles should hang to the back.



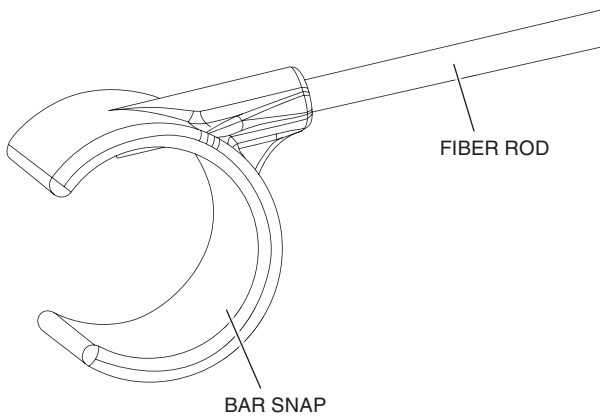
3. Install the fiber rods:

Insert the assembled rods into the pockets on the bottom of the bimini top as shown.

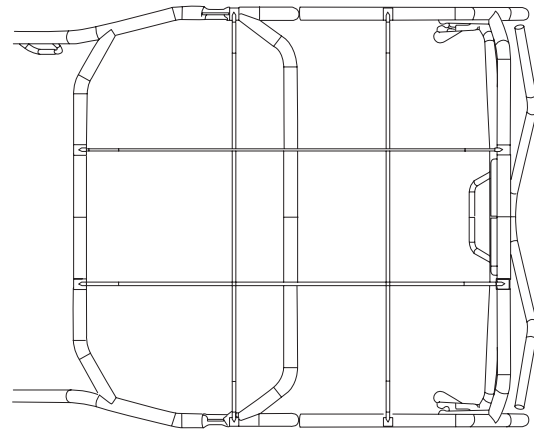
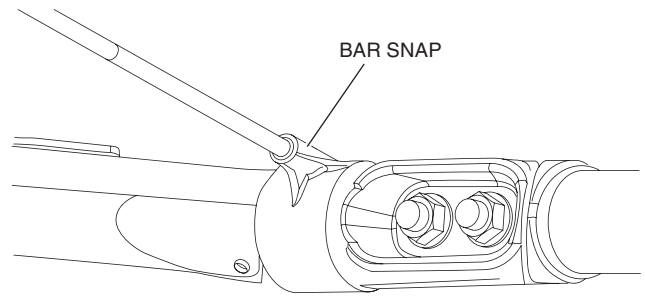
 - a. The long (63") fiber rods must be installed to fit from front to back. Insert each rod into the webbing pocket.
 - b. The short (60") fiber rods must be installed to fit from side to side. Insert each rod into the loops hanging off of the webbing pockets.



4. Install a bar snap onto the end of each fiber rod.

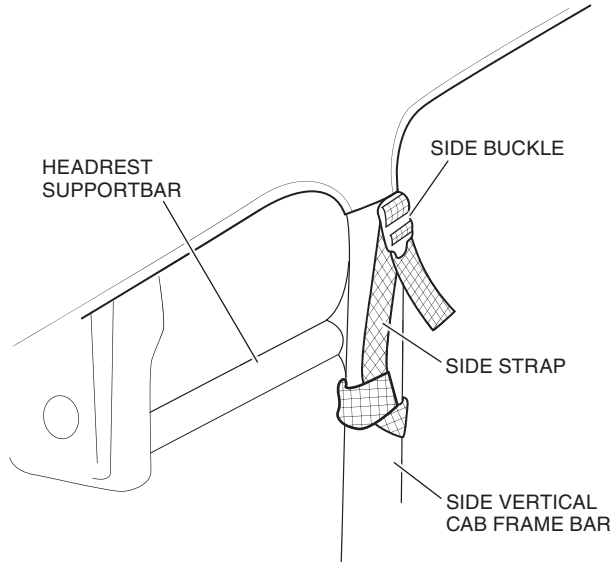


5. Install the bar snaps to the OPS. The fiber rods should bow upwards. The images below are shown without the bimini top.



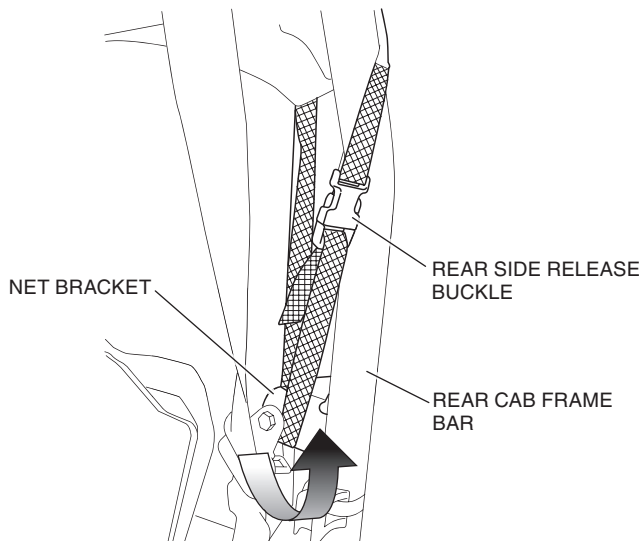
- Remove the center side strap from the buckle. Thread the strap around the cab frame B-pillar, below the headrest support bar, and back through the loop in the end of the strap as shown. Thread the end of the strap back through the buckle.

NOTE: Do not tighten at this time. Repeat for the other side.



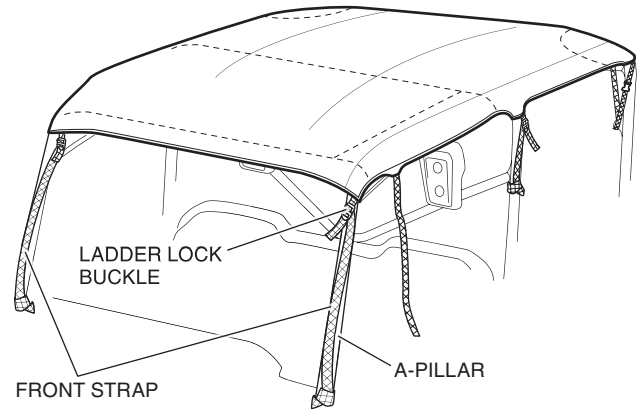
- Wrap the rear side strap with side release buckle down behind the cab frame C-pillar, around the net bracket, and back up to the mating buckle as shown.

NOTE: Do not tighten at this time. Repeat for the other side.

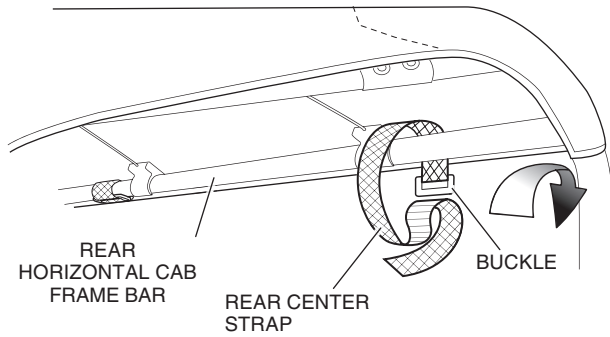


- Remove the front strap from the buckle. Thread the strap around the cab frame A-pillar, below the bolted joint, and back through the loop in the end of the strap as shown. Thread the end of the strap back through the buckle.

NOTE: Do not tighten at this time. Repeat for the other side.



9. Wrap the rear center strap around the upper rear horizontal cab frame bar. Thread the strap through the buckle and back to itself as shown. Repeat for the other side.



10. Tighten all the straps at this time (front, side, rear).
11. Install the front side strap as shown.

NOTE: The strap must run on top of the plastic bar snaps, not on the fiber rods. Thread the strap through the mating front side buckle and tighten. Secure the end of the strap by doubling it back through the end of the buckle and attaching the hook and loop fasteners.

