



INSTALLATION INSTRUCTIONS

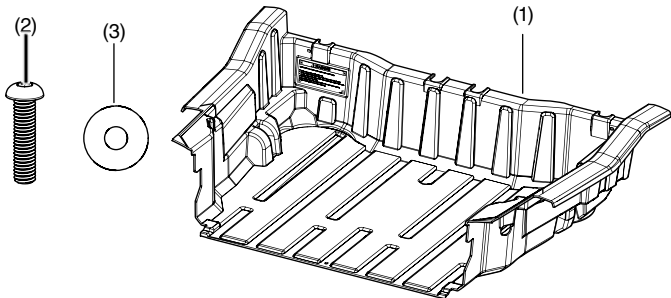
Accessory
BED LINER
 P/N OSP43-HL4-203 (49 State)
 P/N OSP43-HL4-203CA (CA only)

Application
SXS1000M5D/M5P

Publication No.
MII 15753
 Issue Date
August 2016

Honda Dealer: Please give a copy of these instructions to your customer.

PARTS LIST



No.	Description	Qty
(1)	Bedliner	1
(2)	6 x 20 mm screw	3
(3)	6 mm flat washer	3
(4)	Installation Instruction URL (not shown)	1

TOOLS AND SUPPLIES REQUIRED

Hex wrench (4 mm)
 Isopropyl alcohol
 Shop towel

TORQUE CHART

Tighten all screws, bolts, and nuts to their specified torque values. Refer to the Service Manual for the torque values of the removed parts.

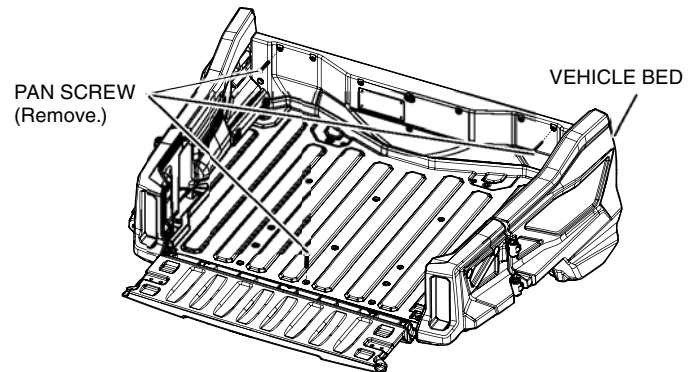
Item	N-m	kgf-m	lbf-ft
6 mm screw	5	0.5	4

USE AND CARE INFORMATION

- Check the accessory mount frequently and retighten if necessary.
- Replace this accessory with a new one if it is damaged or discolored excessively.
- When this accessory becomes dirty, rinse it thoroughly with cool water to remove loose dirt, then wipe with a clean cloth or sponge.
- Never use, or expose this accessory to petroleum solvents such as gasoline, thinner, benzine, acid, or alkaline cleaners.
- Refer to your Owner's Manual for vehicle loading guidelines.

INSTALLATION

1. Clean the vehicle bed before installing the bedliner.
2. Remove the three pan screws from the vehicle bed in the locations shown.



3. Place the bed liner into the vehicle bed and align it with the mount holes exposed in Step 2.
4. Secure the bed liner by installing one 6 x 20 mm screw and washer in each of the locations shown. Tighten each screw to the value in the Torque Chart.

