



# INSTALLATION INSTRUCTIONS

Accessory

ALUMINUM ROOF  
P/N 0SL90-HL7-A00

Application

SXS1000S4  
SXS1000S4D

Publication No.

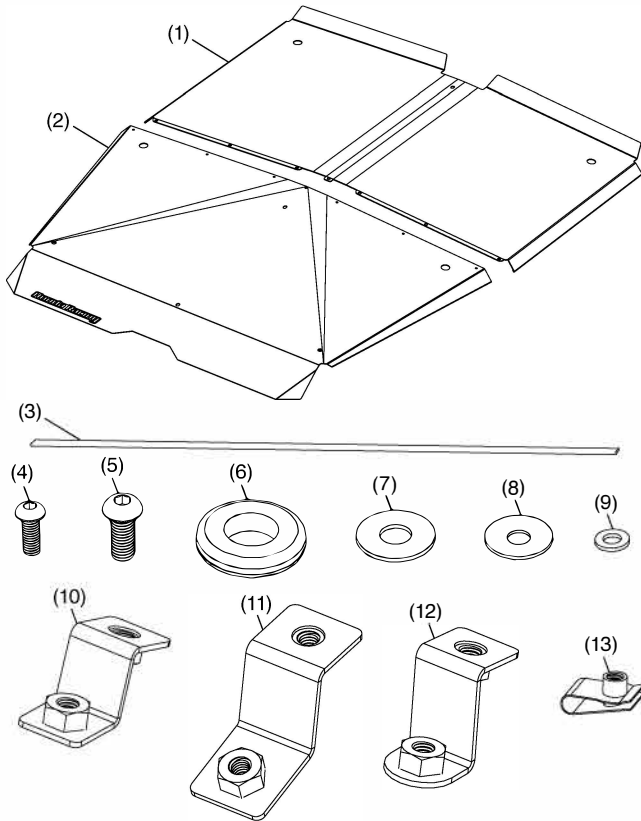
MII 17142

Issue Date

August 2019

**Honda Dealer: Please give a copy of these instructions to your customer.**

## PARTS LIST



## TOOLS REQUIRED

4 mm hex wrench

5 mm hex wrench

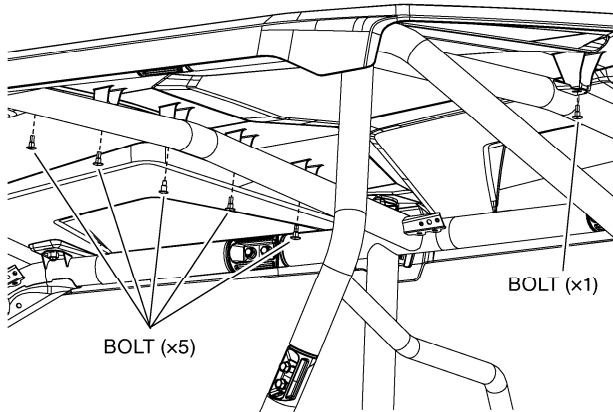
## USE AND CARE INFORMATION

- Check the accessory mounts frequently and retighten if necessary.
- Replace this accessory with a new one if it is damaged or discolored excessively.
- When this accessory becomes dirty, rinse it thoroughly with cool water to remove loose dirt and then wash with a clean cloth or sponge.
- Do not use a brush to clean this accessory as it may scratch the surface.
- Never use petroleum solvents such as gasoline, thinner, benzene, acid or alkaline cleaners.

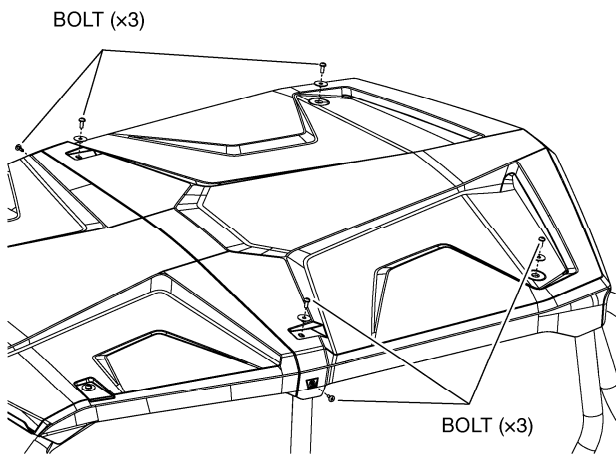
No.	Description	Qty
(1)	Aluminum roof – rear section	1
(2)	Aluminum roof – front section	1
(3)	Adhesive gasket	1
(4)	6 × 16 mm button head bolt	7
(5)	8 × 20 mm button head bolt	6
(6)	Rubber grommet	4
(7)	Rubber washer	2
(8)	Cupped steel washer	8
(9)	Flat steel washer	7
(10)	Center mounting bracket	1
(11)	Front mounting bracket	1
(12)	Rear mounting bracket	1
(13)	Clip nut	7
(14)	Installation Instruction URL (Not shown)	1

## INSTALLATION

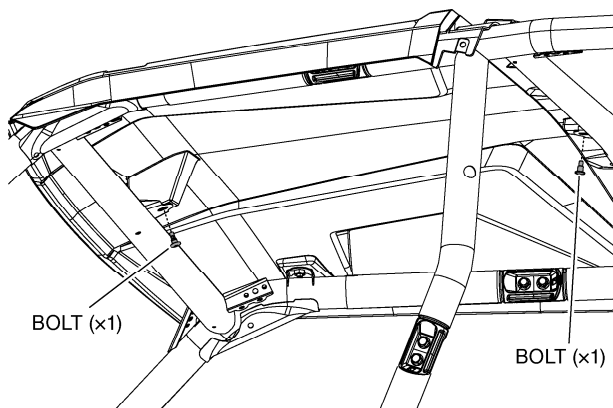
1. Remove the six bolts securing the original rear roof on the inside of the vehicle.



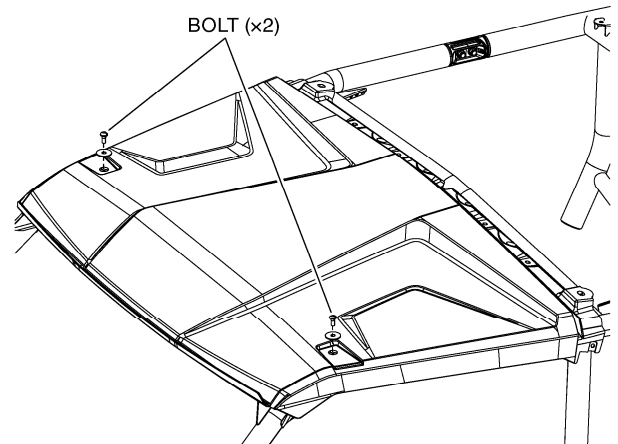
2. Remove the six bolts securing the original rear roof from the outside of the vehicle. Remove the original rear roof and set aside.



3. Remove the two bolts securing the original front roof on the inside of the vehicle.



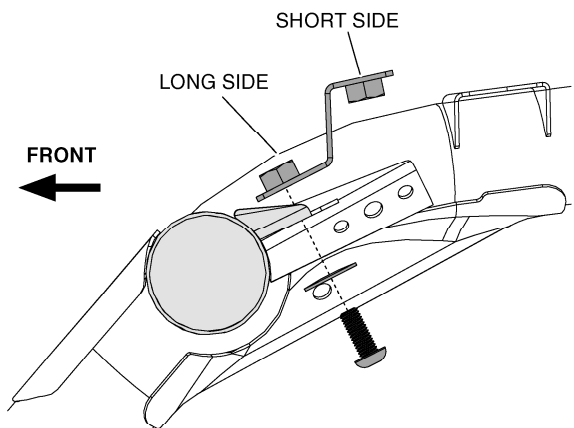
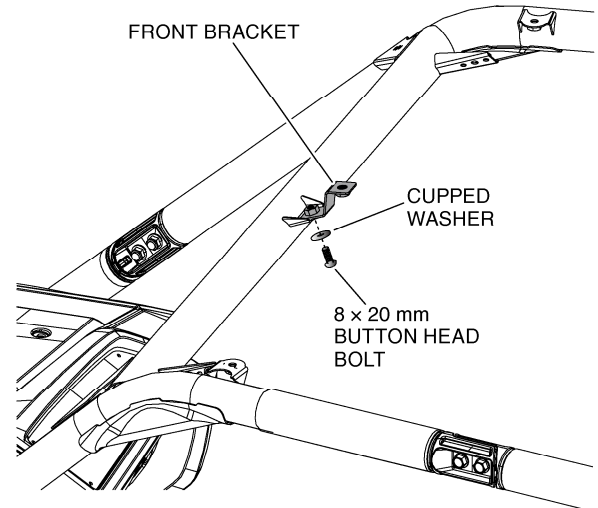
4. Remove the two bolts and spacers securing the original front roof from the outside of the vehicle. Remove the original front roof and set aside.



5. Install the front mounting bracket to the top of the front OPS mounting flange using one 8 x 20 mm button head bolt and cupped steel washer. Tighten the hardware securely.

**NOTE: Install the washer so that the cupped side is facing down towards the floor of the vehicle.**

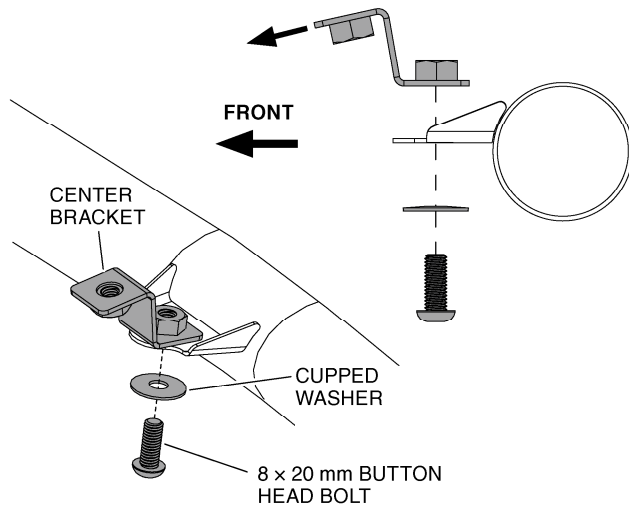
**NOTE: Bracket orientation long side mount to vehicle, short side mounts to the roof.**



- Install the center mounting bracket to the top of the center OPS mounting flange using one 8 × 20 mm button head bolt and cupped steel washer. Tighten the hardware securely.

**NOTE: Install the washer so that the cupped side is facing down towards the floor of the vehicle.**

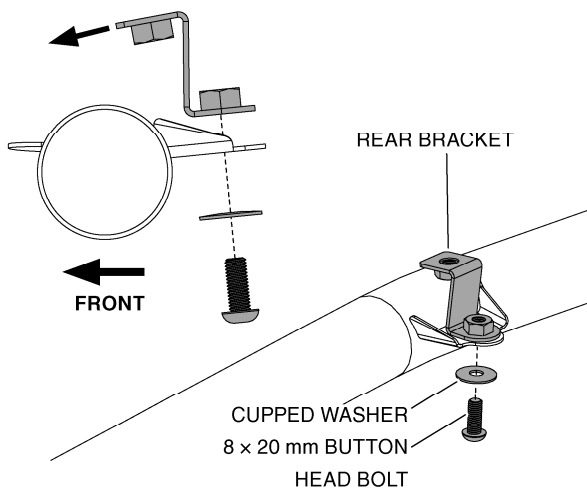
**NOTE: Bracket orientation as shown.**



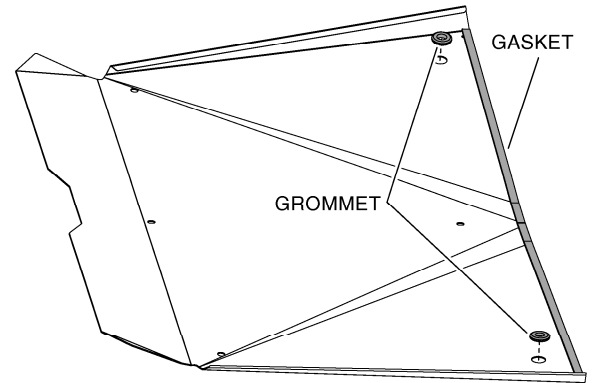
- Install the rear mounting bracket to the top of the rear OPS mounting flange using one 8 × 20 mm button head bolt and cupped steel washer. Tighten the hardware securely.

**NOTE: Install the washer so that the cupped side is facing down towards the floor of the vehicle.**

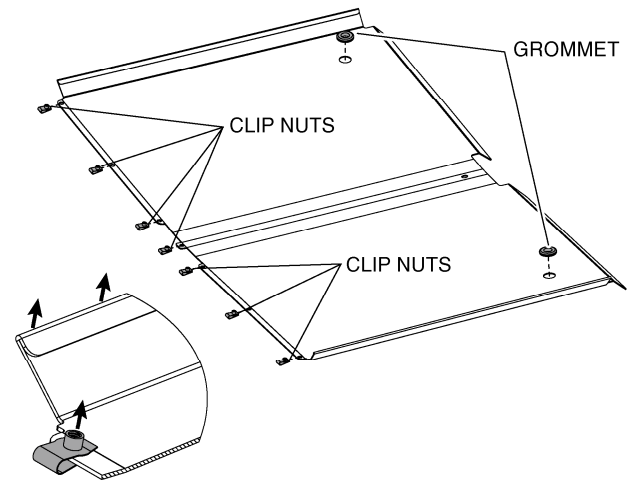
**NOTE: Bracket orientation as shown.**



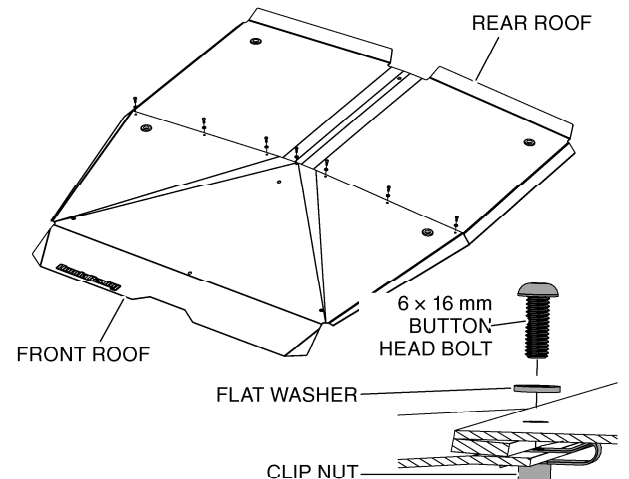
- Install two rubber grommets and the adhesive gasket to the inside of the front roof as shown.



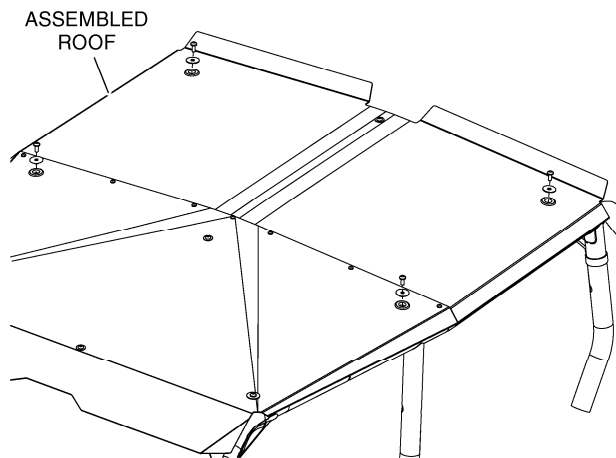
- Install two rubber grommets and seven clip nuts to the inside of the rear roof as shown.



- Carefully place the rear edge of the front roof over the front edge of the rear roof while lining up the holes in both pieces. Install both roof sections together using seven 6 × 16 mm button head bolts and flat washers as shown. Be sure the hardware is tightened securely.



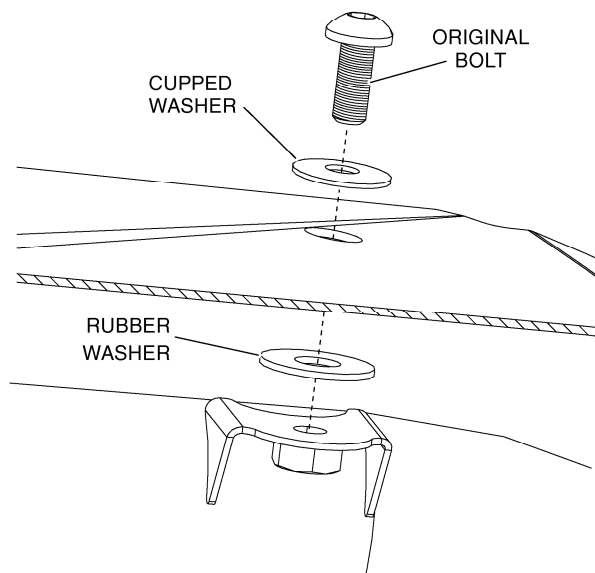
11. Place the roof over the top of the OPS as shown.



12. Loosely install the roof in the two front corner locations using the original bolts removed in Step 4, as well as one rubber washer and one cupped washer in both locations.

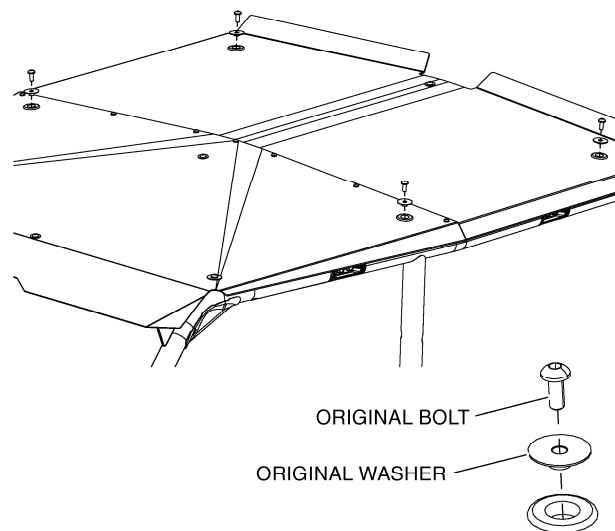
**NOTE: Place the rubber washer between the roof and the frame as shown.**

**NOTE: Install the washer so that the cupped side is facing down towards the floor of the vehicle.**



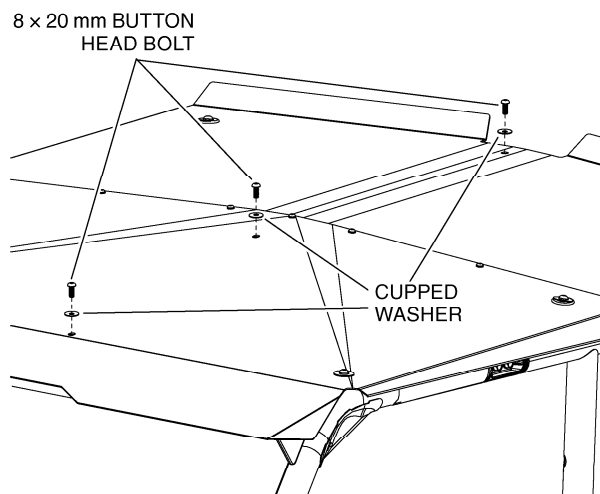
13. Loosely install the roof in the four outside locations with the grommets using the original bolts and washers removed in Step 2.

**NOTE: The raised side of the original washers face down towards the roof.**



14. Loosely install the roof in the three center locations using three 8 x 20 mm button head bolts and cupped washers as shown.

**NOTE: Install the washers so that the cupped sides are facing down towards the floor of the vehicle.**



15. Tighten down the fasteners securely in the order shown below to ensure the roof forms around the top of the OPS correctly.

