



INSTALLATION INSTRUCTIONS

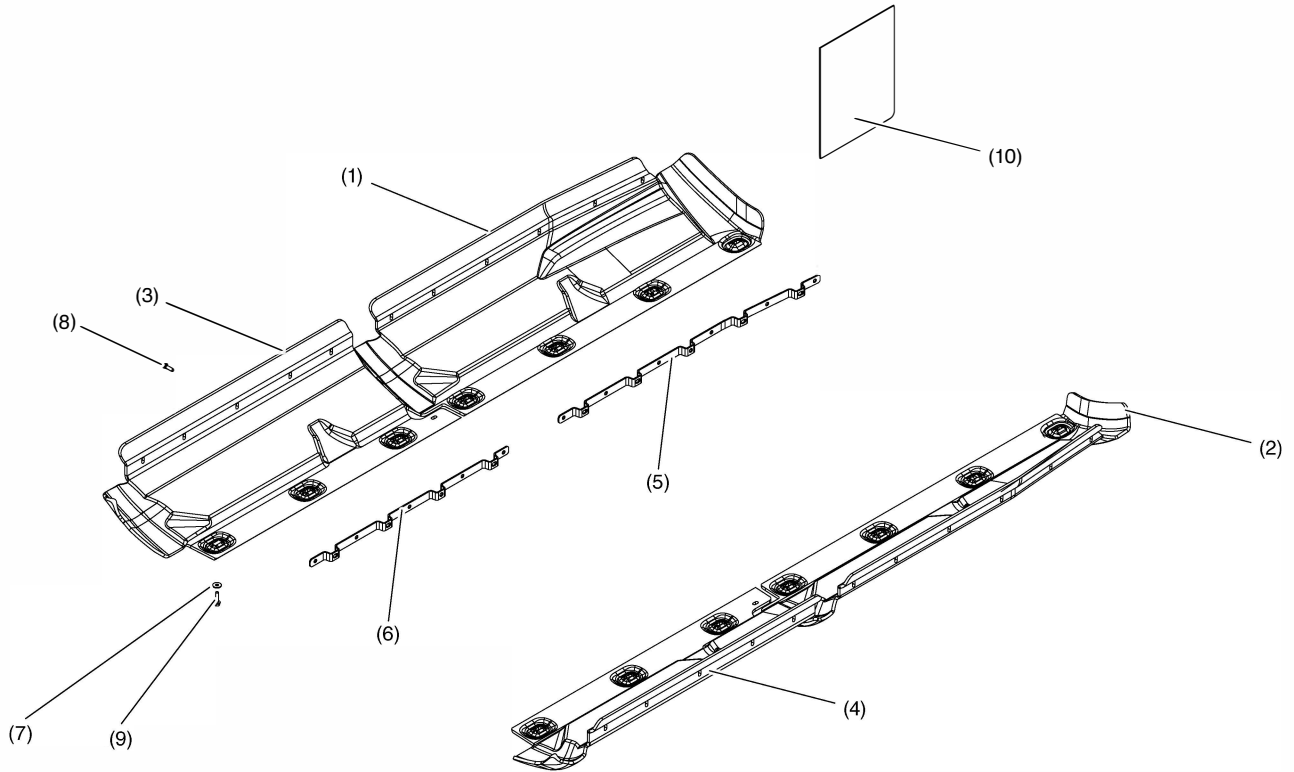
Accessory
SIDE SKID PLATES
P/N OSK40-HL7-A00

Application
SXS1000S4
SXS1000S4D

Publication No.
MII 17142
 Issue Date
August 2019

Honda Dealer: Please give a copy of these instructions to your customer.

PARTS LIST



No.	Description	Qty
(1)	Driver front side skid plate	1
(2)	Passenger front side skid plate	1
(3)	Driver rear side skid plate	1
(4)	Passenger rear side skid plate	1
(5)	Front sub frame	2
(6)	Rear sub frame	2
(7)	18 mm washer	38
(8)	10 × 20 mm bolt	22
(9)	10 × 25 mm Flange bolt	16
(10)	Installation Instruction URL	1

TORQUE CHART

Tighten all screws, bolts, and nuts to their specified torque values. Refer to the Service Manual for the torque values of the removed parts.

Item	N-m	kgf-m	lbf-ft
10 mm flange bolt	9	0.92	6.5

TOOLS REQUIRED

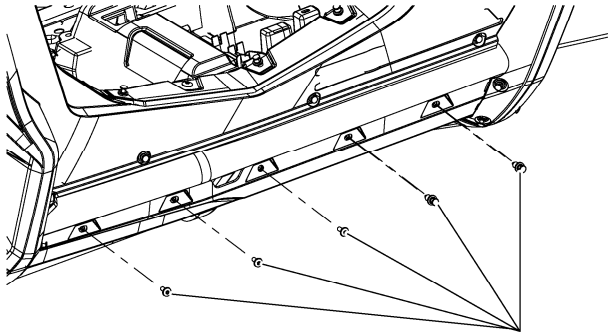
- Socket (10 mm)
- Ratchet
- Torque wrench
- Box-end wrench (10 mm)
- 5 mm Hex wrench

INSTALLATION

⚠ CAUTION

To prevent burns, allow the engine, exhaust system, radiator, etc., to cool before installing the accessory.

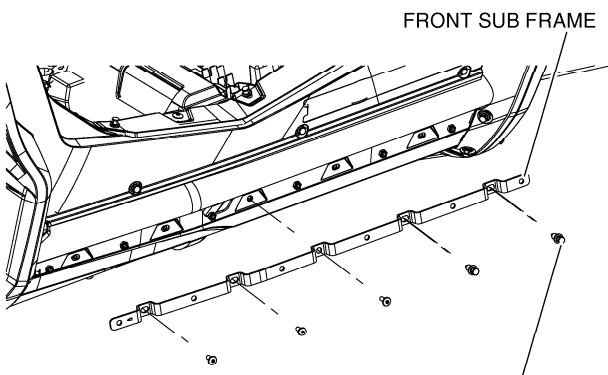
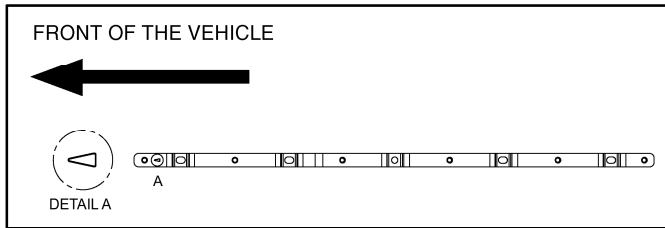
1. Start on driver side. Remove original front side panel bolts and trim clips as shown.



ORIGINAL HARDWARE
Save.

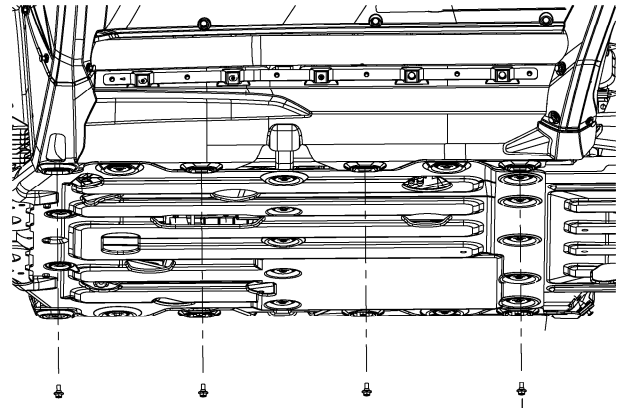
2. Install the front sub frame as shown with the original hardware removed at step 1.

NOTE: Position the front sub frame so the orientation mark (DETAIL A) is pointed toward the front of the vehicle. (Driver side shown).



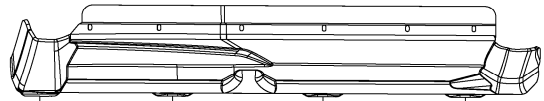
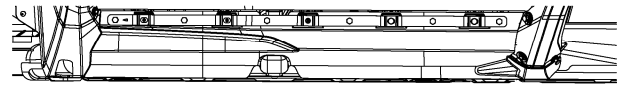
FRONT SUB FRAME
ORIGINAL HARDWARE
Reuse.

3. Remove the front side panel lower bolts as shown.
<LEFT UNDERSIDE>



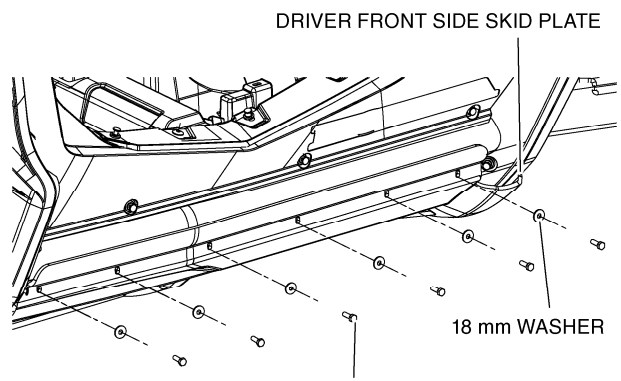
BOLTS
Save.

4. Loosely install the driver front side skid plate using the 18 mm washers and the 10 x 25 mm flange bolts at the positions shown.



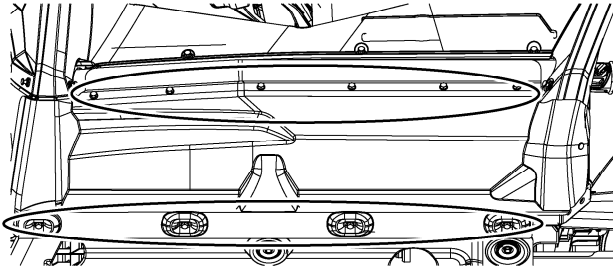
18 mm WASHER
10 x 25 mm FLANGE BOLT

5. Loosely install the 10 x 20 mm bolts and 18 mm washers to attach the driver side skid plate on the front sub frame as shown.

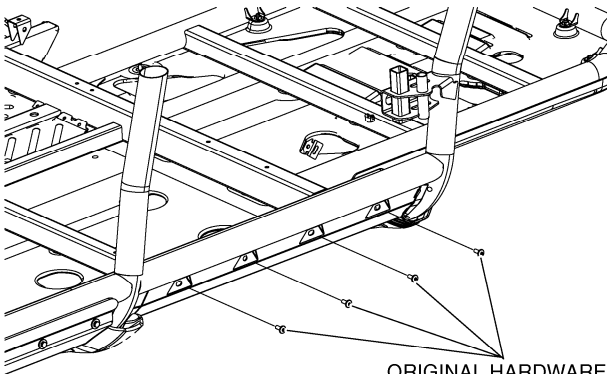


DRIVER FRONT SIDE SKID PLATE
18 mm WASHER
10 x 20 mm FLANGE BOLT

- Tighten the upper bolts first and then the lower bolts to the value specified in the TORQUE CHART.

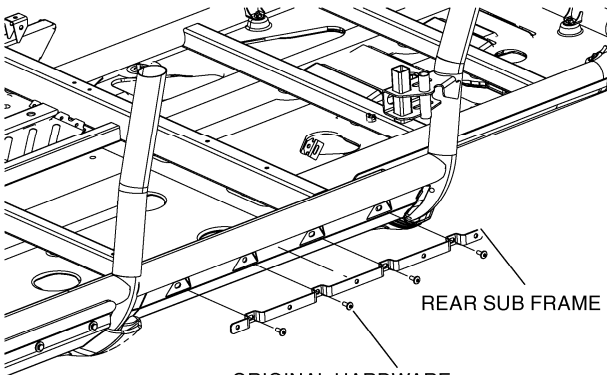


- Remove the original left rear side panel bolts as shown.



ORIGINAL HARDWARE
Save.

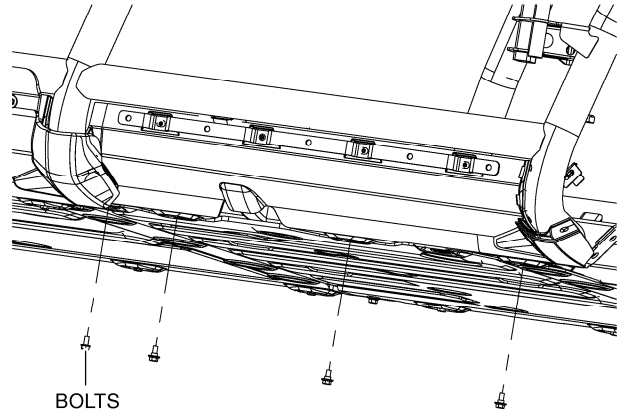
- Install the rear sub frame as shown with the original hardware removed at step 7.



REAR SUB FRAME
ORIGINAL HARDWARE
Reuse.

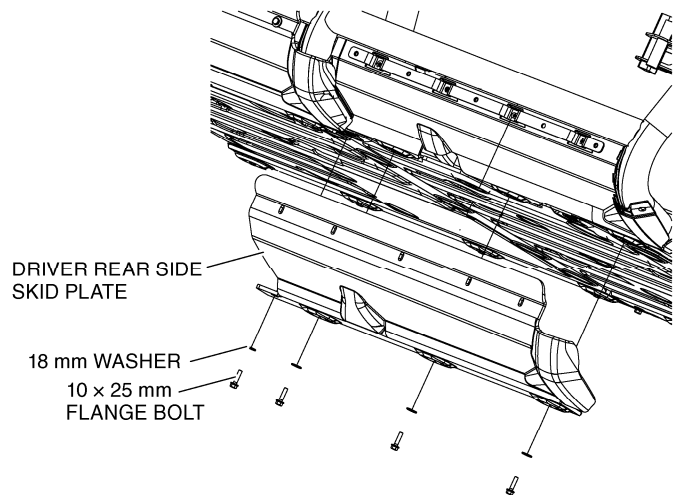
- Remove the left rear side panel lower bolts as shown.

<LEFT UNDERSIDE>



BOLTS
Save.

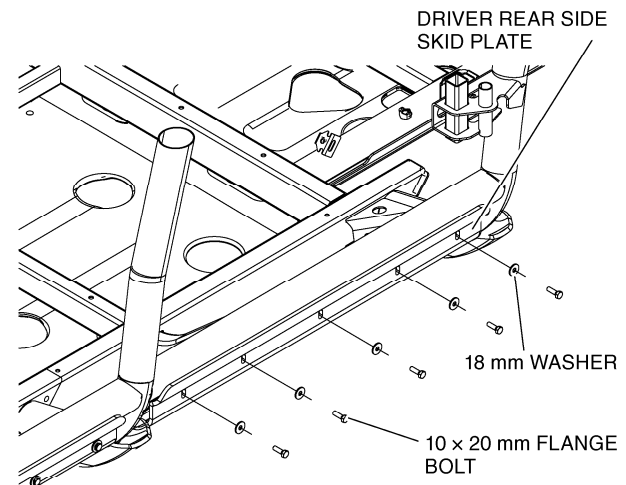
- Loosely install the driver rear side skid plate using four 18 mm washers and four 10 x 25 mm flange bolts at the positions shown.



DRIVER REAR SIDE
SKID PLATE

18 mm WASHER
10 x 25 mm
FLANGE BOLT

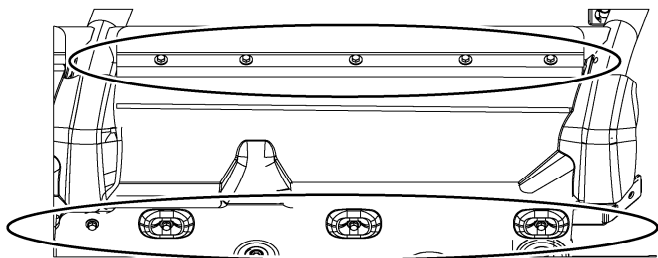
- Loosely install five 10 x 20 mm bolts and five 18 mm washers to attach the driver rear side skid plate on the rear sub frame as shown.



DRIVER REAR SIDE
SKID PLATE

18 mm WASHER
10 x 20 mm FLANGE
BOLT

12. Tighten the upper bolts first and then the lower bolts to the value specified in the TORQUE CHART.



13. Repeat steps 1 through 12 on the passenger side.