



INSTALLATION INSTRUCTIONS

Accessory

SIDE SKID PLATES
P/N OSK40-HL6-A00

Application

SXS1000S2X
SXS1000S2R

Publication No.

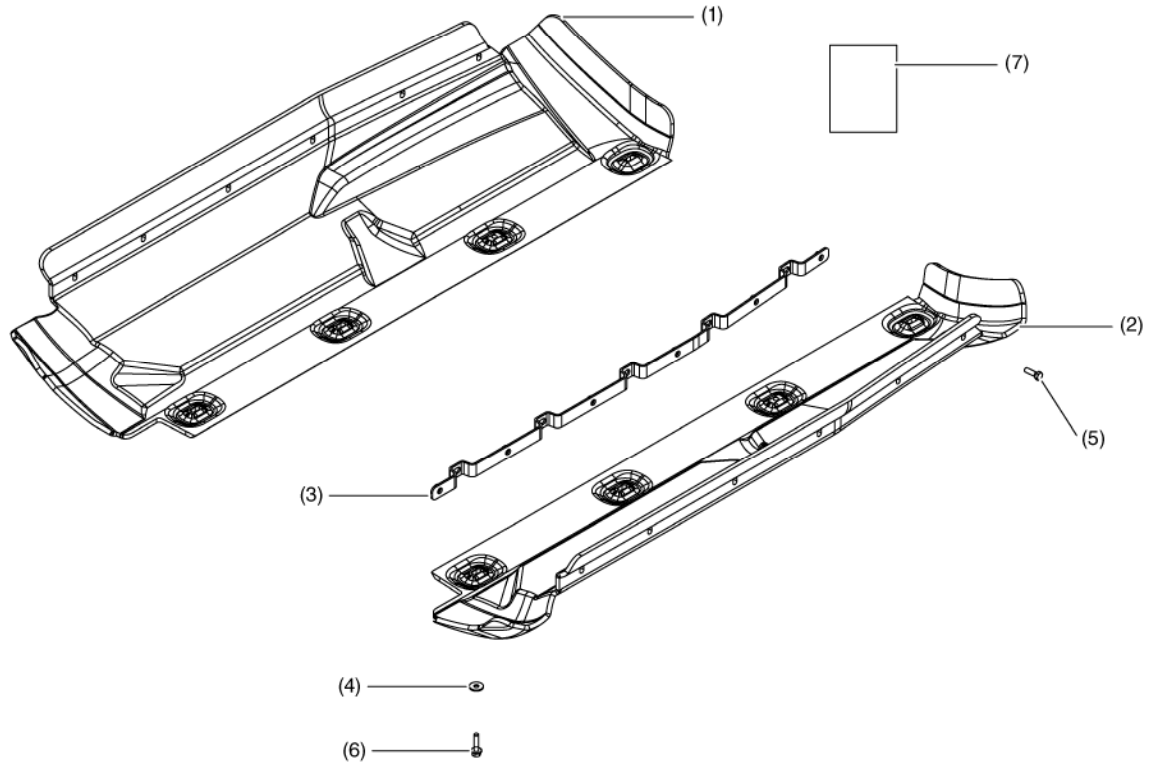
MII 16561

Issue Date

April 2019

Honda Dealer: Please give a copy of these instructions to your customer.

PARTS LIST



No.	Description	Qty
(1)	Driver side skid plate	1
(2)	Passenger side skid plate	1
(3)	Sub frame	2
(4)	Fender washer	20
(5)	10 x 20 mm bolt	12
(6)	10 x 25 mm Flange bolt	8
(7)	Installation Instruction URL	1

TORQUE CHART

Tighten all screws, bolts, and nuts to their specified torque values. Refer to the Service Manual for the torque values of the removed parts.

Item	N-m	kgf-m	lbf-ft
10 mm flange bolt	9	0.92	6.5

TOOLS REQUIRED

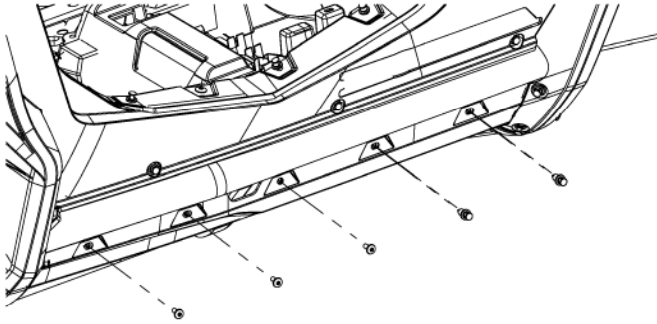
- Socket (10 mm)
- Ratchet
- Torque wrench
- Box-end wrench (10 mm)
- 5 mm Hex wrench

INSTALLATION

⚠ CAUTION

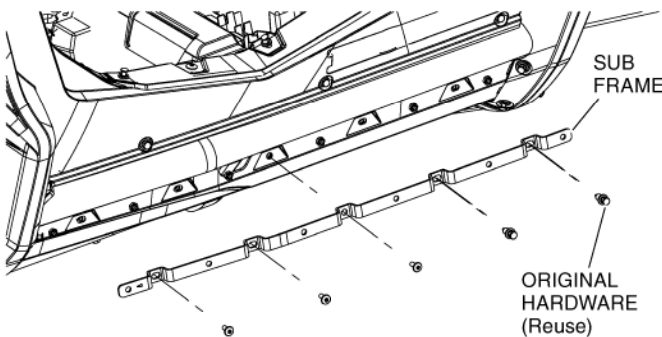
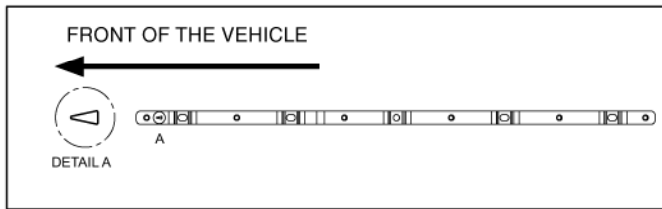
To prevent burns, allow the engine, exhaust system, radiator, etc., to cool before the accessory.

1. Start on driver side. Remove original side panel bolts and trim clips as shown.



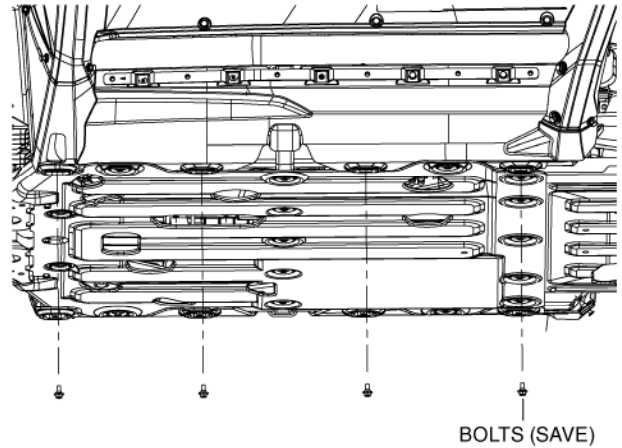
2. Install the sub frame as shown with the original hardware removed at step 1.

NOTE: Position the sub frame so the orientation mark (DETAIL A) is pointed toward the front of the vehicle. (Driver side shown).

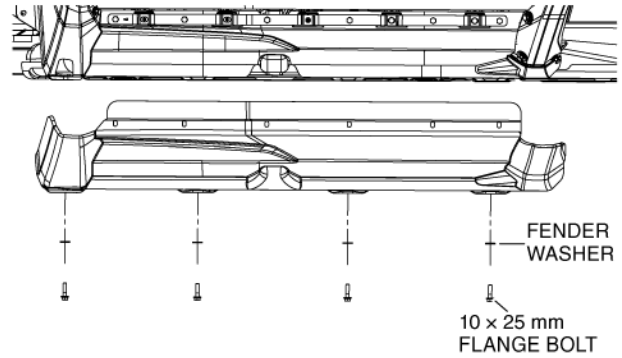


3. Remove the side panel lower bolts as shown.

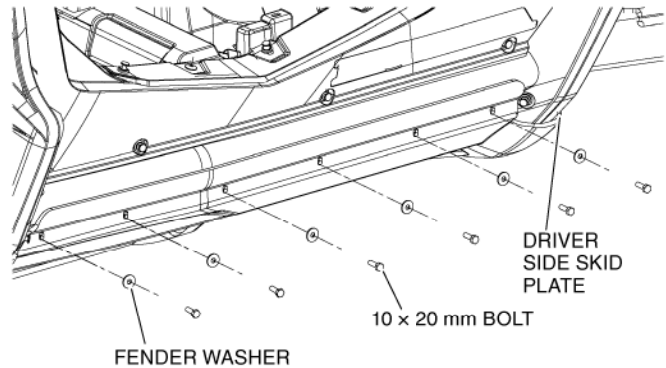
<DRIVER UNDERSIDE>



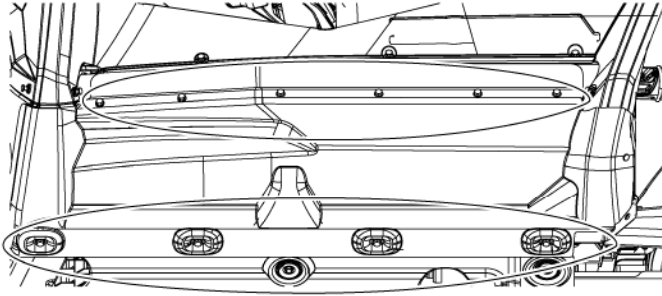
4. Loosely install the driver side skid plate using the fender washers and the 10 x 25 mm flange bolts at the positions shown.



5. Loosely install the 10 x 20 mm bolts and fender washers to attach the driver side skid plate on the sub frame as shown.



6. Tighten upper bolts first and then the lower bolts to the value specified in the TORQUE CHART.



7. Repeat steps 1 through 6 on the passenger side.