



INSTALLATION INSTRUCTIONS

Accessory

REAR PANEL
P/N 0SB73-HL7-A00

Application

SXS1000S4
SXS1000S4D

Publication No.

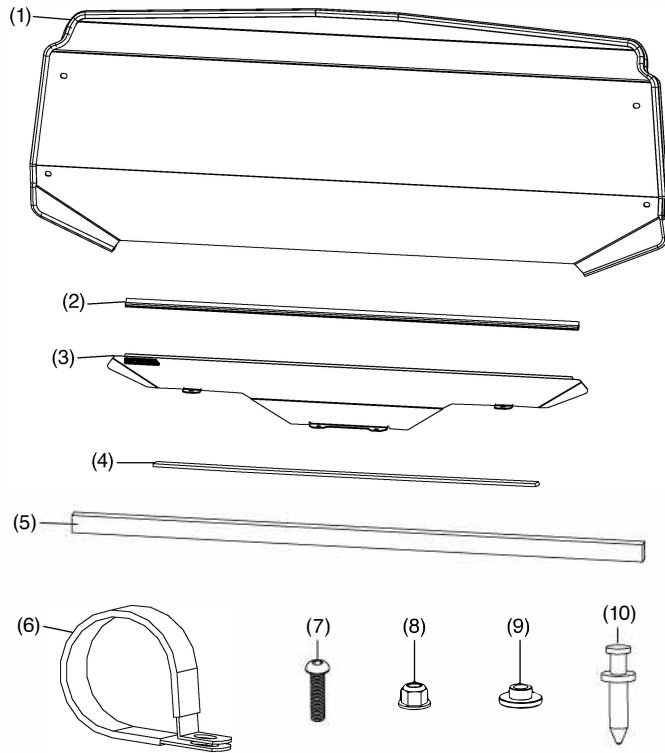
MII 17142

Issue Date

August 2019

Honda Dealer: Please give a copy of these instructions to your customer.

PARTS LIST



No.	Description	Qty
(1)	Rear panel	1
(2)	Flocked trim	1
(3)	Lower mounting bracket	1
(4)	Adhesive foam	1
(5)	Foam seal	1
(6)	Clamp	4
(7)	6 x 25 mm screw	4
(8)	6 mm Nylock flange nut	4
(9)	Shoulder spacer	4
(10)	Trim clip	4
(11)	Installation instruction URL (not shown)	1

TOOLS REQUIRED

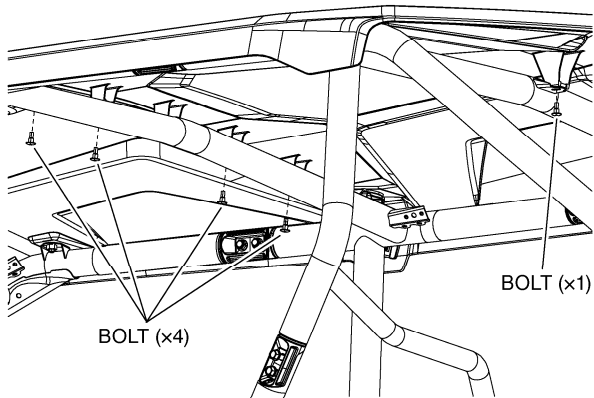
- 10 mm socket
- Tape measure
- Scissors
- 4 mm hex wrench
- Ratchet

USE AND CARE INFORMATION

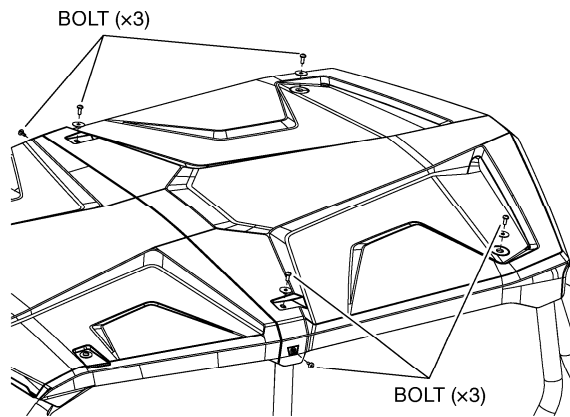
- Check the accessory mounts frequently and retighten if necessary.
- Replace this accessory with a new one if it is damaged or discolored excessively.
- When this accessory becomes dirty, rinse it thoroughly with cool water to remove loose dirt and then wash with a clean cloth or sponge.
- Do not use a brush to clean this accessory as it may scratch the surface.
- Never use petroleum solvents such as gasoline, thinner, benzene, acid, or alkaline cleaners.

INSTALLATION

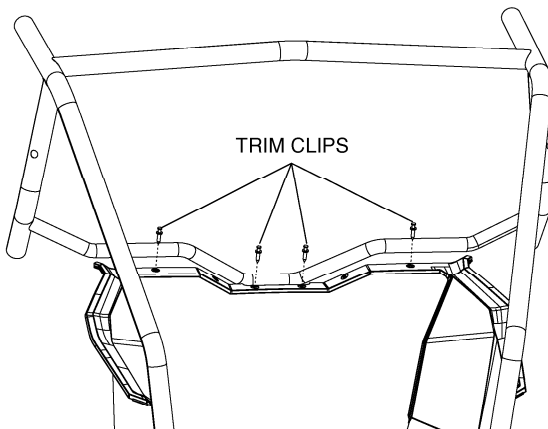
1. Remove the five bolts securing the original rear roof on the inside of the vehicle.



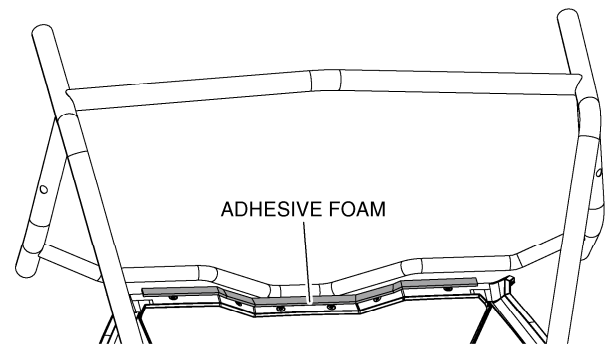
2. Remove the six bolts securing the original rear roof from the outside of the vehicle. Remove the original rear roof and set aside.



3. Remove the four original trim clips from the seat back upper cover as shown.

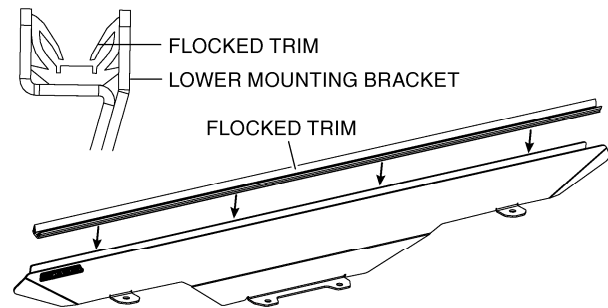


4. Remove the backing from the adhesive foam and apply it along the base of the body panel just above the trim clips removed in the previous step.



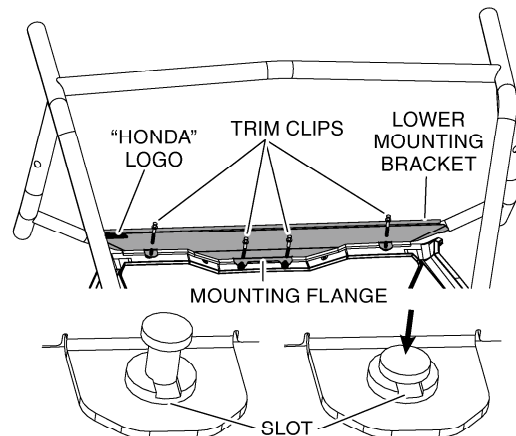
Note: Be sure the mating surface is clean before applying the adhesive foam.

5. Install the flocked trim into the channel along the top edge of the lower mounting bracket as shown.

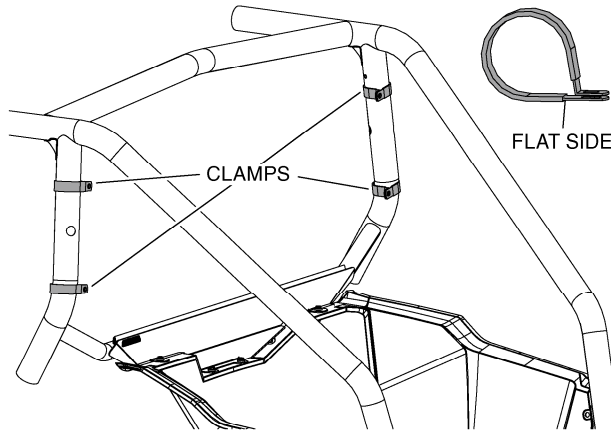


6. Place the lower mounting bracket just behind the horizontal OPS tube behind the seat. The mounting flange in the center of the lower mounting bracket will rest on top of the seat back upper cover. The "HONDA" logo can be seen from the outside of the vehicle.

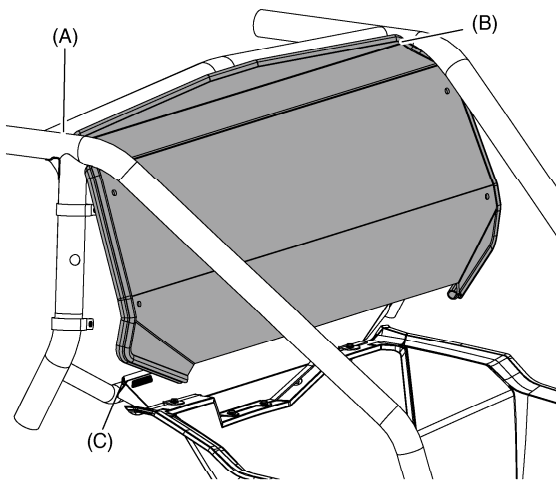
NOTE: Position the slots in the trim clips to face away from the mounting bracket.



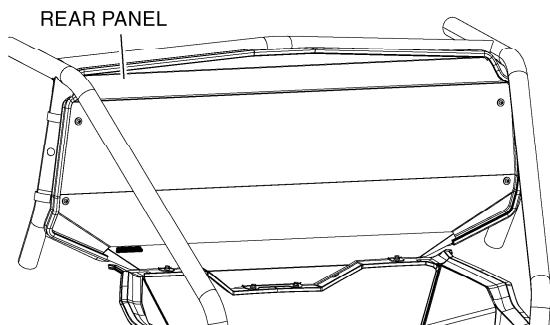
- Install four clamps around the vertical OPS tubes (two on each side) as shown. The flat side of the clamps must face out towards the bed.



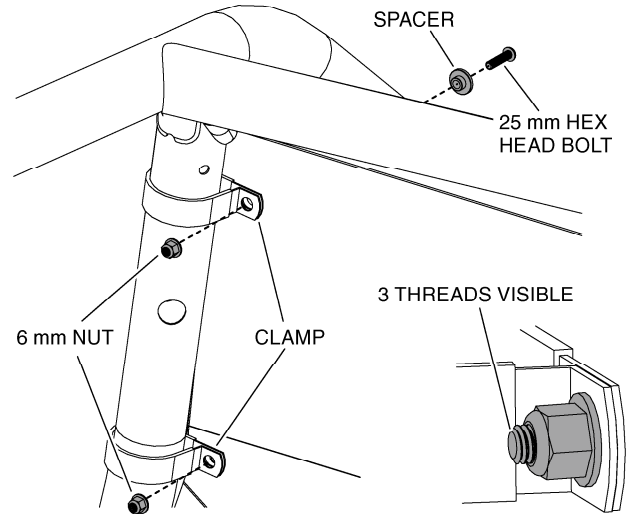
- Lift the rear panel into place so the mounting hole in the driver's side corner of the rear panel (A) is near the upper clamp on the vertical OPS tube. Repeat on the passenger side (B), then lower the bottom edge down into the channel on the mounting bracket (C).



- Adjust the position of the rear panel as needed to line up the mounting holes in the rear panel with the clamps. Make sure the lower edge of the rear panel is inside of the channel on the mounting bracket.

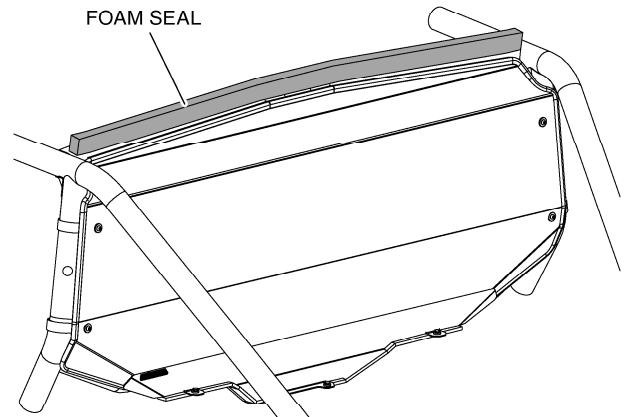


- Loosely attach all four clamps to the rear panel using one 25 mm hex head bolt, shoulder spacer, and 6 mm Nylock flange nut per clamp. Once all four clamps have been attached to the rear panel, tighten the hardware until the first three threads on each screw are visible outside of the nut.



- Remove the backing from the foam seal (48" x 1.5" x 1") and adhere it to the topside of the upper OPS crossbar as shown. Make sure the foam seal is centered side-to-side on the OPS before pressing it into place.

Note: Be sure the mating surface is clean before applying the adhesive foam.



- Reinstall the roof to the vehicle using the original hardware. Tighten the hardware securely.