

HONDA

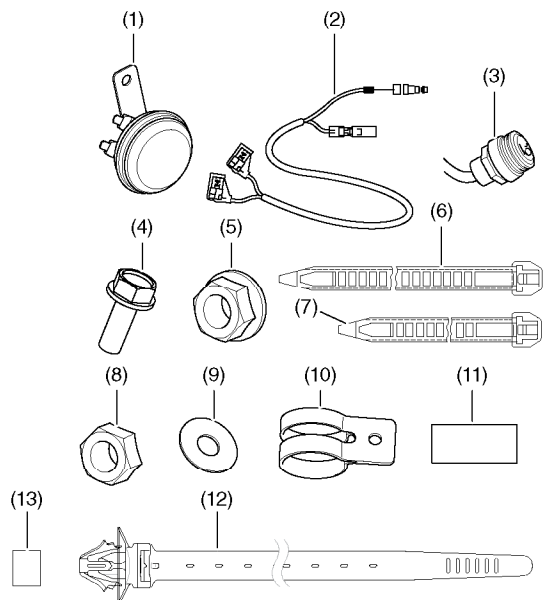
INSTALLATION INSTRUCTIONS

Accessory
HORN
 P/N 08P75-HL5-A00
HORN WIRE HARNESS
 P/N 08Z71-HL5-A00

Application
SXS500M2
SXS520M2

Publication No.
MII 17623
 Issue Date
December 2020

PARTS LIST

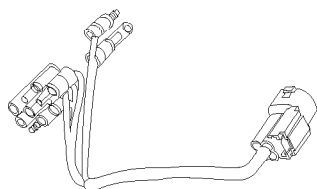


No.	Description	Qty
(1)	Horn (P/N 08P75-HL5 -A00)	1
(2)	Horn wire harness (included in 08Z71-HL5-A00, sold separately as 08Z72-HL5 -A00)	1
(3)	Horn switch	1
(4)	16 mm, flange bolt	1
(5)	6 mm, flange nut	1
(6)	Wire tie (long)	2
(7)	Wire tie (short)	2
(8)	16 mm, hex nut	1
(9)	6 mm, plain washer	1
(10)	Horn band	1
(11)	Band cushion	1
(12)	Harness clip	1
(13)	Installation Instructions URL	1

ACCESSORY SUB-HARNESS (SOLD SEPERATELY)

P/N 08Z08-HL5 -A00

The accessory sub-harness is required for the installation of this accessory.



TOOLS AND SUPPLIES REQUIRED

- Torque wrench
- Socket, 10 mm
- Ratchet
- Drill
- Step drill, 16 mm (5/8 in)
- Box-end wrench, 10 mm
- Rotary tool
- Thread lock (LOCTITE 242 or equivalent)

TORQUE CHART

Tighten all screws, bolts, and nuts to their specified torque values. Refer to the service manual for the torque values of the removed parts.

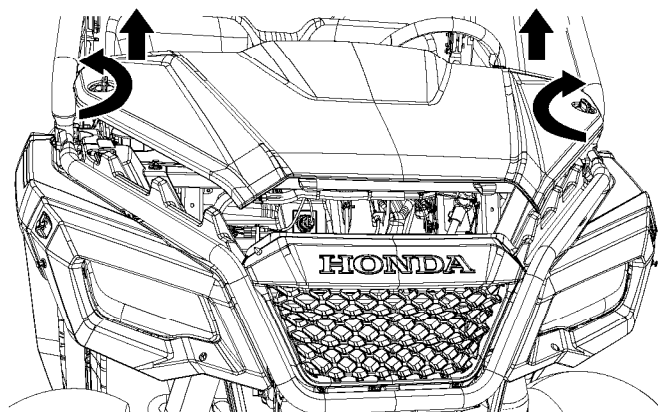
Item	N-m	kgf-m	lbf-ft
6 mm flange bolt and nut	12	1.2	9
16 mm hex nut	1.5	0.1	1.1

USE AND CARE INFORMATION

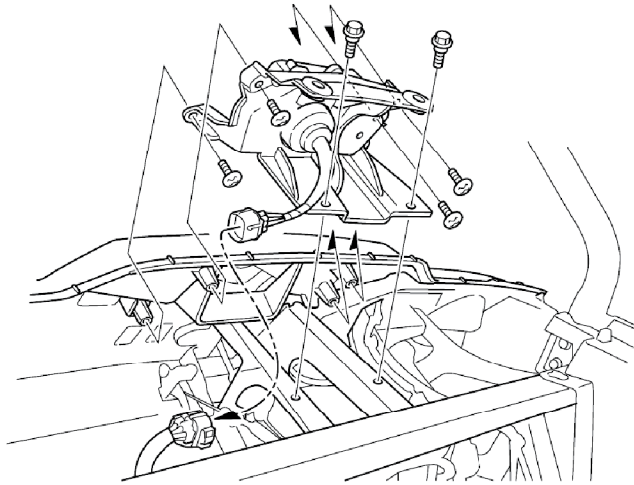
Check the accessory mounts frequently and retighten if necessary. Trim all excess material on wire ties no shorter than 5 mm.

INSTALLATION

1. Remove front hood by turning knobs in an outward direction and then pulling up as shown.

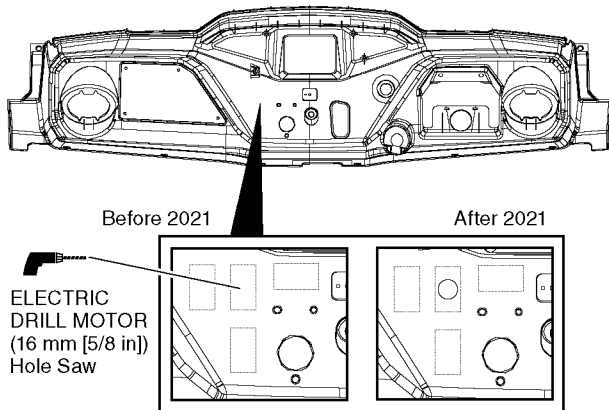


- Disconnect the combination meter sub-harness 10P (Gray) connector.
Remove the four screws, two special bolts and combination meter/rear cover assembly.



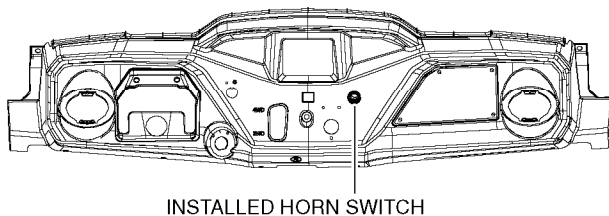
- Using the molded template on the back side of the instrument panel (note differences based on model year below), drill a 16mm [5/8 in] hole.

<VIEW UNDER HOOD, BACK SIDE OF INSTRUMENT PANEL>

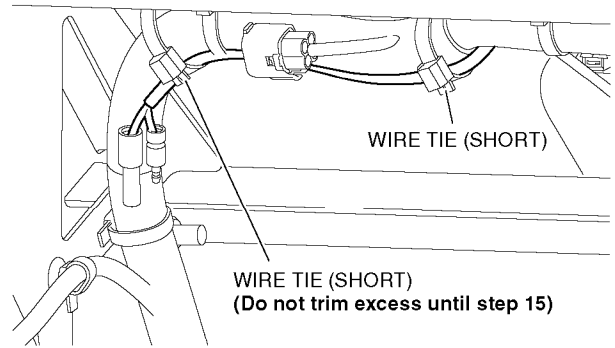


- Install the horn switch into the hole in the instrument panel as shown.

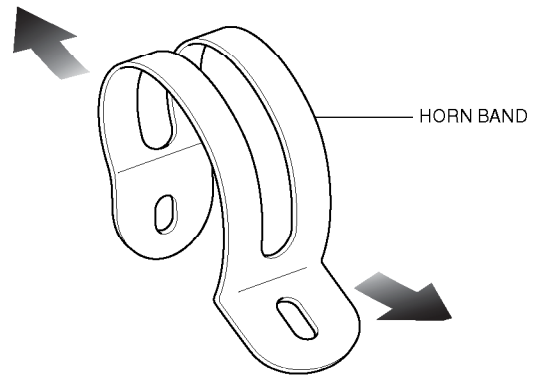
<INSTRUMENT PANEL, VIEW FROM INSIDE THE CAB>



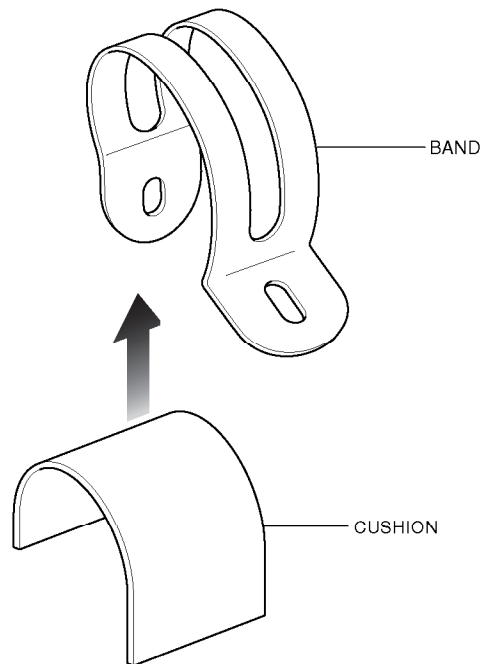
- Secure the horn switch using two short wire ties to the vehicle harness as shown.



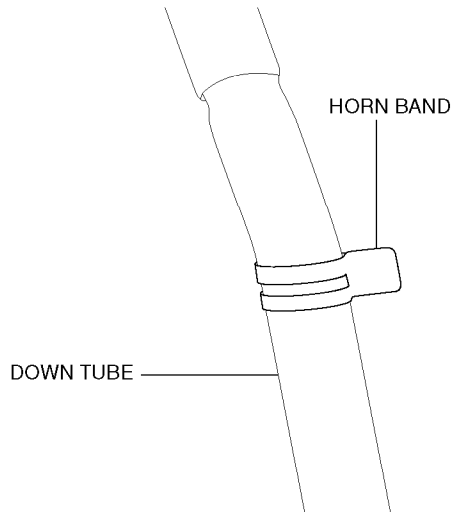
- Expand horn band as shown.



- Install the cushion to the band.

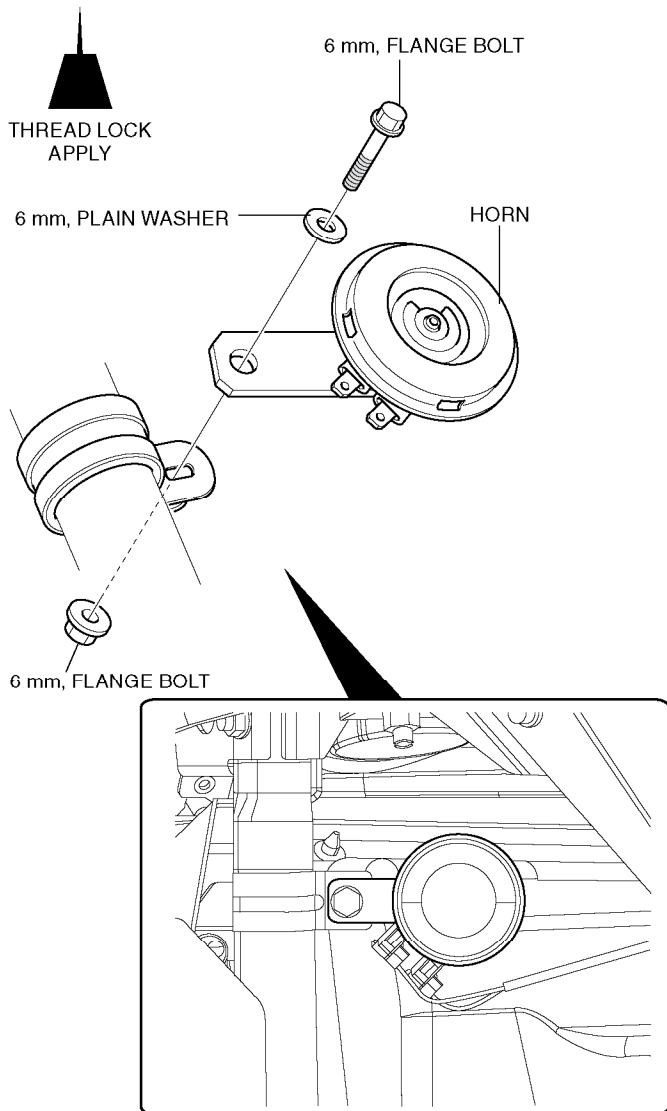


8. Install the assembled horn band to the right front frame down tube.

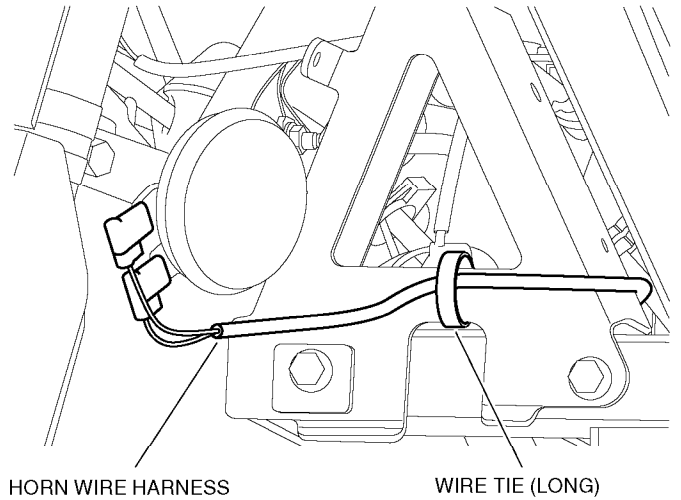


9. Install the horn at a 90 degree angle on the down tube. Connect the horn wire harness to the horn.

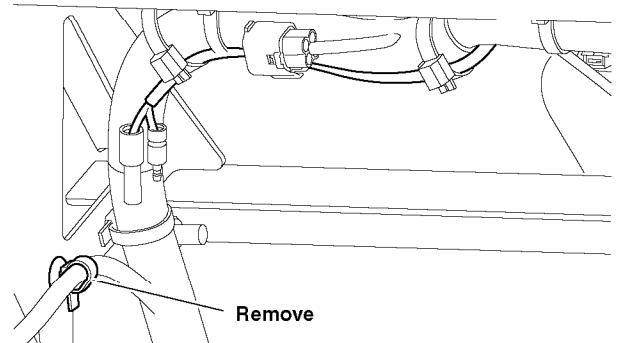
<Right front upper wheel well>



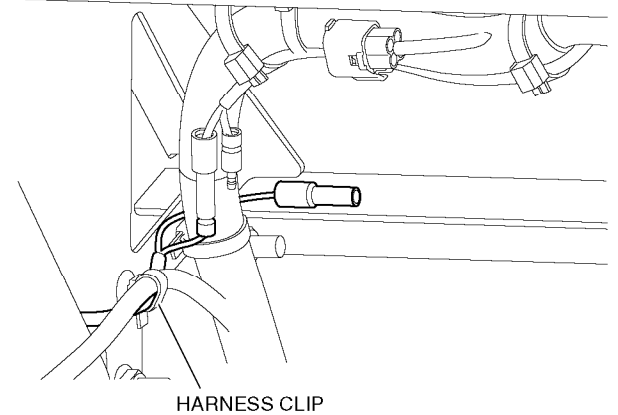
10. Secure the horn wire harness to the frame as shown using a long wire tie.



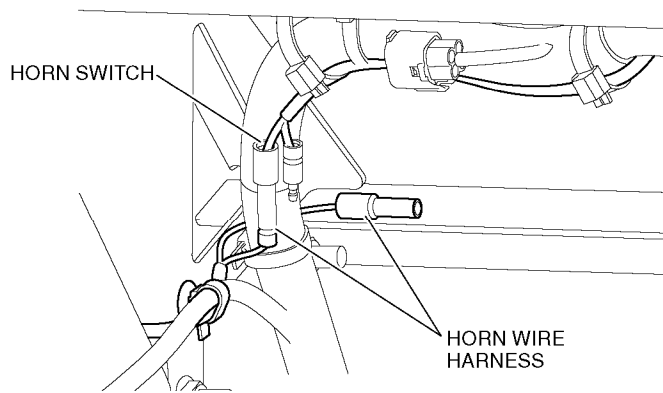
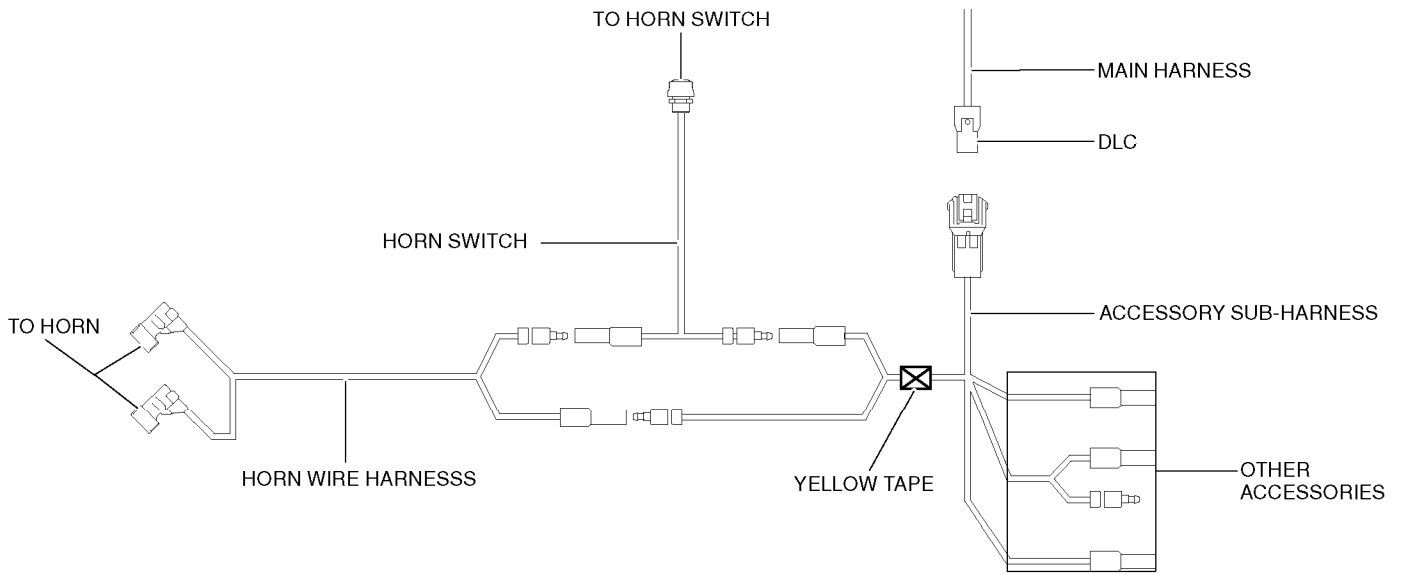
11. Remove the clip shown with care and avoiding wire damage.



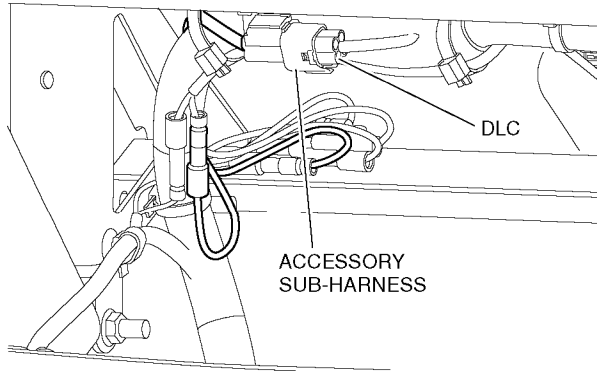
12. Apply the new harness clip holding the horn wire harness and vehicle harness as shown.



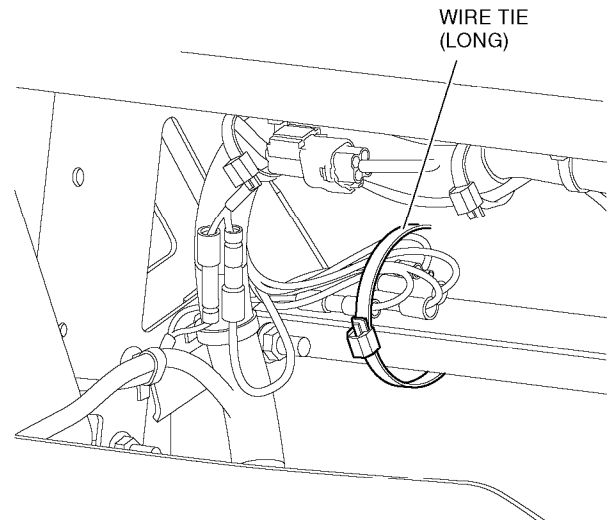
13. Connect the horn wire harness to the horn switch by matching the wire colors as shown.
Connect the horn switch and the accessory sub-harness by matching the wire colors as shown.



14. Remove the dummy cover (save) from the DLC and connect the accessory sub-harness to the DLC.



15. Secure the accessory sub-harness using one wire tie to the vehicle frame rail as shown.



16. Reinstall the removed parts in the reverse order of removal.