

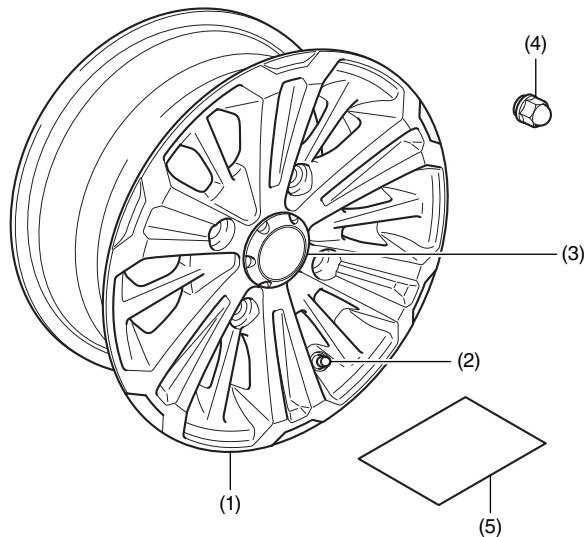


INSTALLATION INSTRUCTIONS

Accessory	Application	Publication No.
14-inch ALUMINUM FRONT WHEEL P/N 08W70-HL4-A02	SXS1000M3/M3P/M5P	MII 15262
		Issue Date
		September 2015

Honda Dealer: Please give a copy of these instructions to your customer.

PARTS LIST



No.	Description	Qty
(1)	Front wheel	1
(2)	Valve	1
(3)	Center cap	1
(4)	Wheel nut	4
(5)	Installation Instructions URL	1

TOOLS REQUIRED

Socket (19 mm)
Ratchet
Extension
Torque wrench

TORQUE CHART

Tighten all screws, bolts, and nuts to their specified torque values. Refer to the Service Manual for the torque values of the removed parts.

Item	N·m	kgf·m	lbf·ft
Wheel nut	108	11	80

SPECIFICATIONS

Size	14 x 6.5 in
PCD	4 on 136 mm
Cold tire pressure	90 kPa (0.9 kgf/cm ² , 13 psi)

INSTALLATION

NOTE:

- Have your authorized Honda dealer install the tires on your front wheel.
- Use only the wheel nuts that are included in this accessory kit.
- Refer to the Owner's Manual or page 1-33 of the Service Manual for lift and support points.

1. Install the tires onto the wheels.
 - **Inflate the tires to the specified air pressure.**
2. Install the wheels on the vehicle as shown.
3. Tighten the wheel nuts to the value specified in the Torque Chart.

