



INSTALLATION INSTRUCTIONS

Accessory

LED HEADLIGHT
P/N 08V71-HL4-A00

Application

SXS1000M3/M3P/M5P

Publication No.

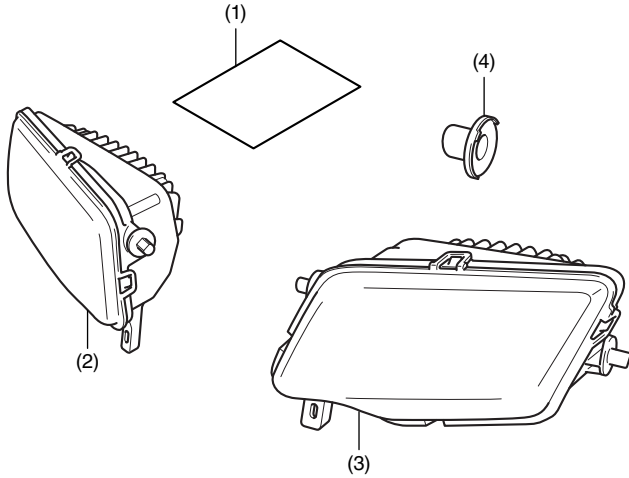
MII 15262

Issue Date

September 2015

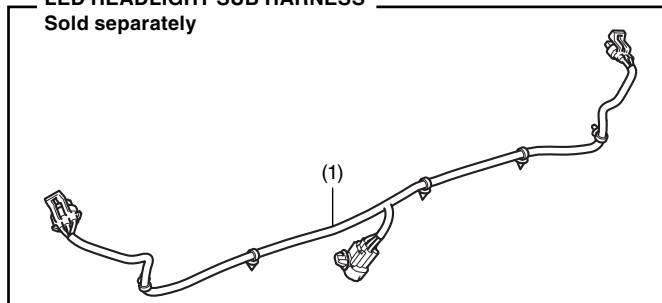
Honda Dealer: Please give a copy of these instructions to your customer.

PARTS LIST



No.	Description	Qty
(1)	Installation Instructions URL	1
(2)	Right LED headlight	1
(3)	Left LED headlight	1
(4)	Headlight cap	4

LED HEADLIGHT SUB HARNESS Sold separately



No.	Description	Qty
(1)	LED Headlight sub harness	1

TORQUE CHART

Refer to the Service Manual for the torque values of the removed parts.

INSTALLATION

▲ CAUTION

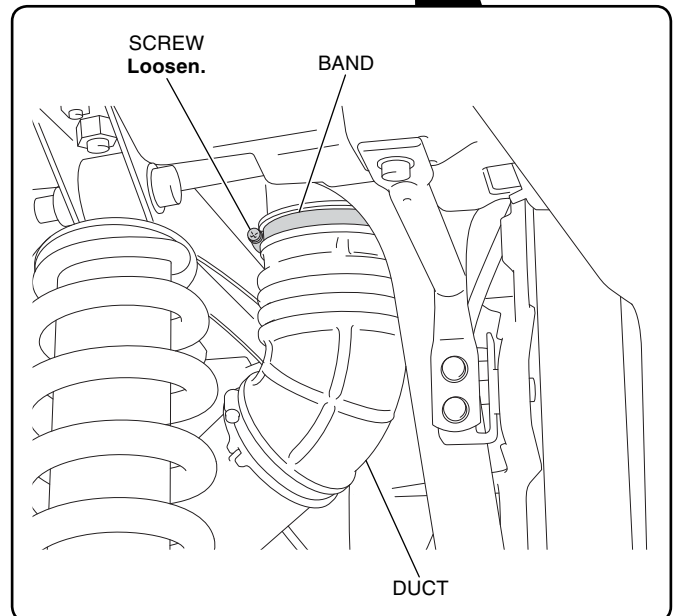
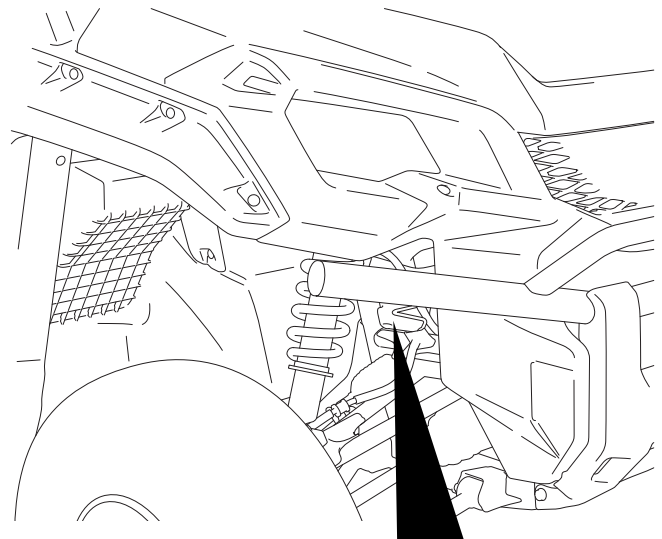
- To prevent burns, allow the engine, exhaust system, radiator, etc., to cool before installing the accessory.

NOTE:

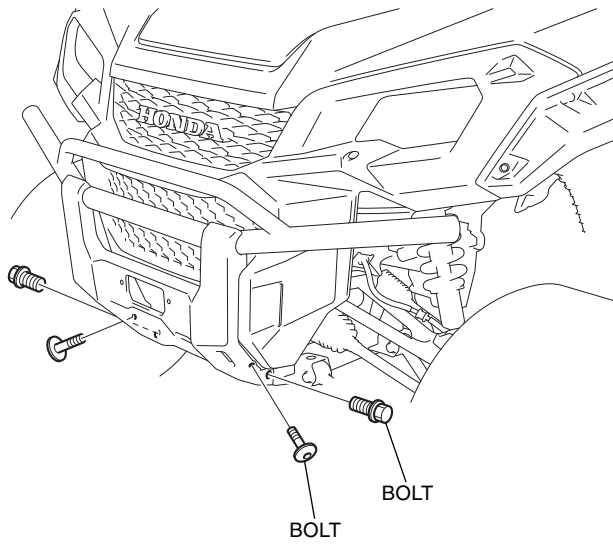
- Disconnect the battery negative (-) cable before installing this accessory.
- The memory of the clock will be erased when you disconnect the battery. Reset the clock after reconnecting the battery.
- Reinstall the removed parts on the vehicle and make sure that the wires and harnesses are not pinched.

- Loosen the band as shown.

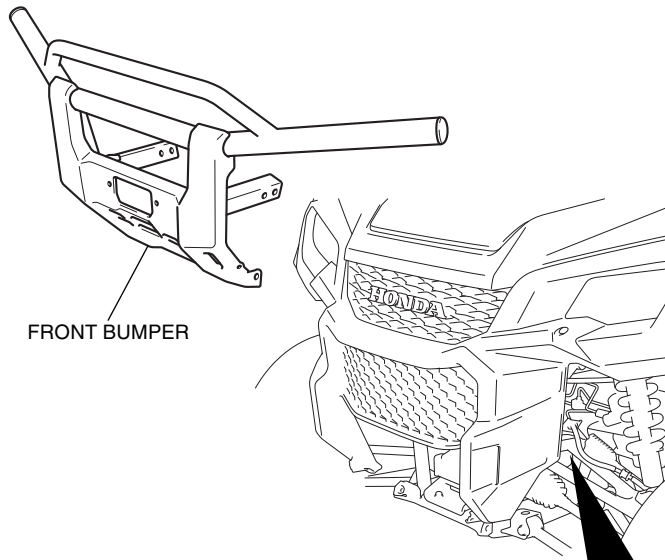
<Right side>



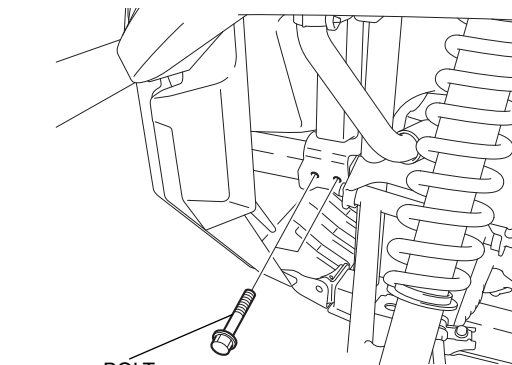
2. Remove the vehicle's parts as shown.



3. Remove the front bumper as shown.



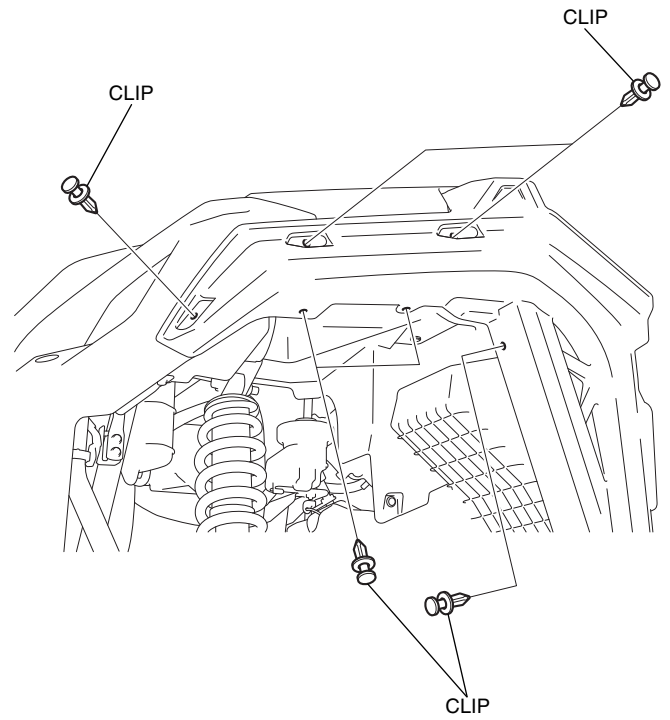
Remove the bolts as shown.



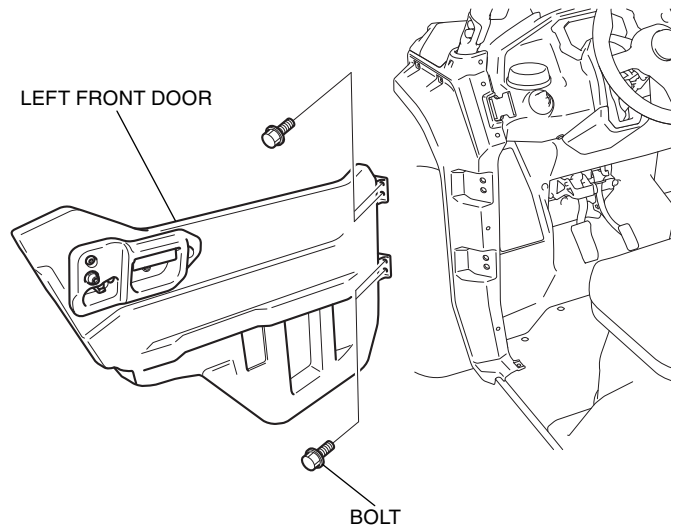
Repeat on the right side.

4. Remove the clips as shown.

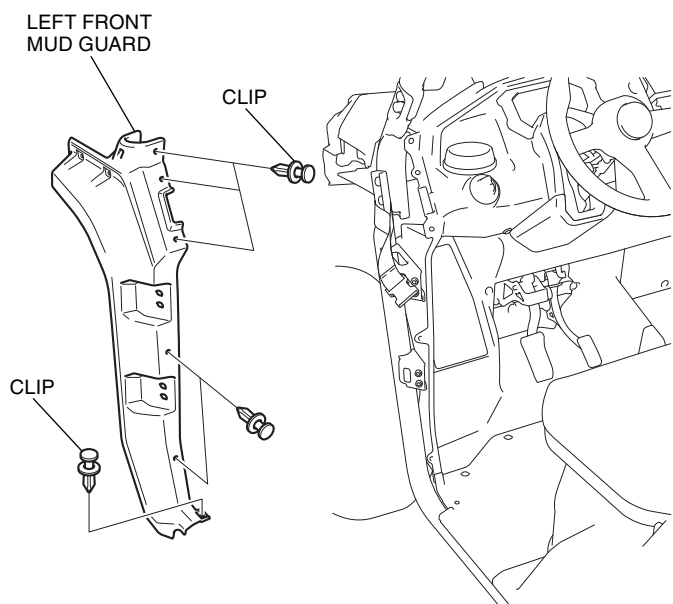
<Left side>



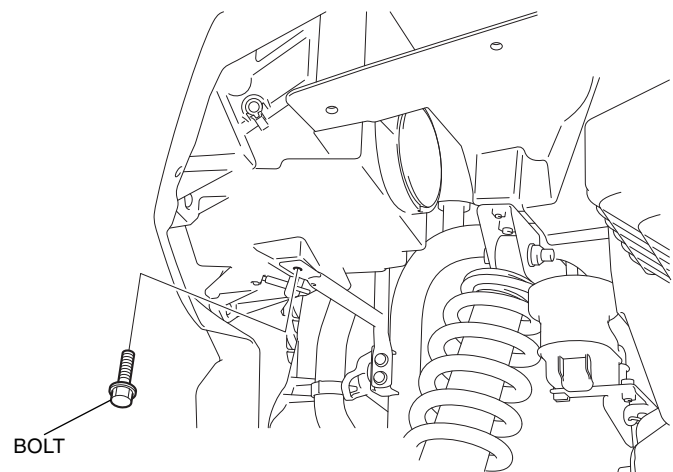
5. Remove the left front door as shown.



6. Remove the left front mud guard as shown.

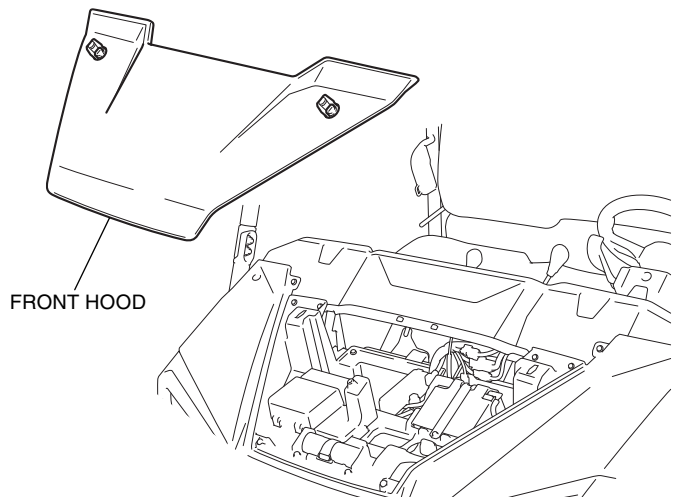


7. Remove the bolt as shown.

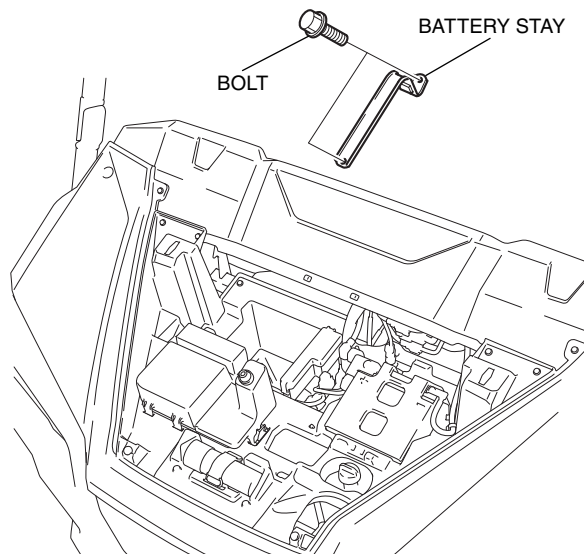


8. Repeat on the right side.

9. Remove the front hood as shown.

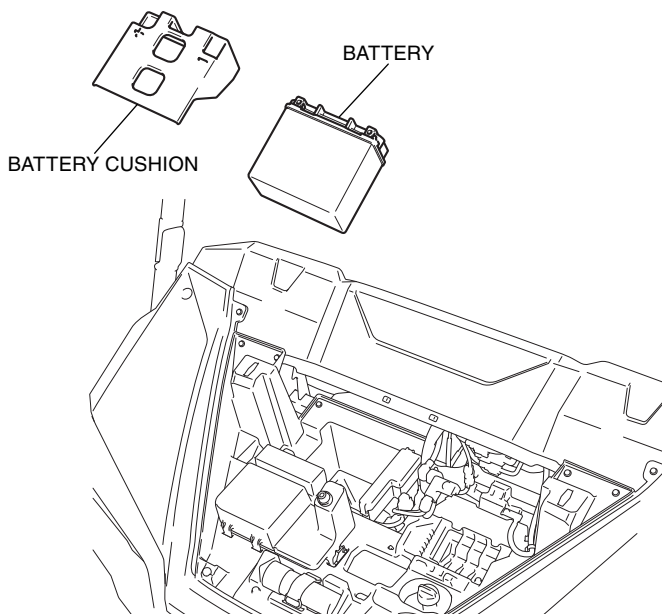


10. Remove the battery stay as shown.



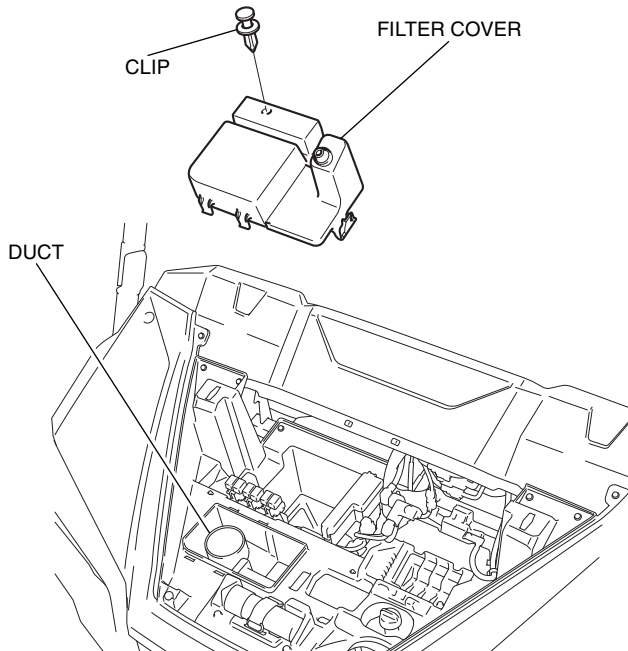
11. Remove the battery and battery cushion as shown.

- **Disconnect the negative (-) cable first.**

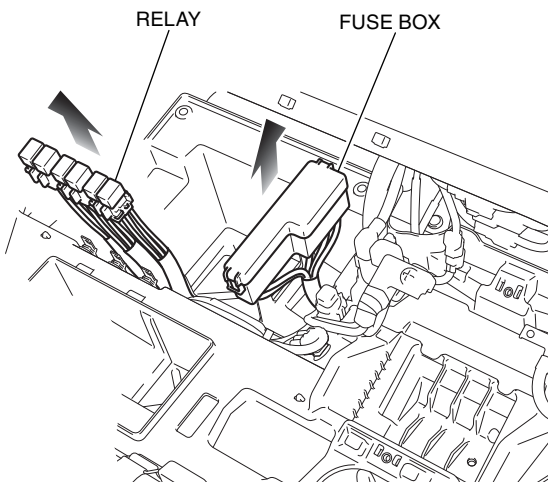


12. Remove the filter cover as shown.

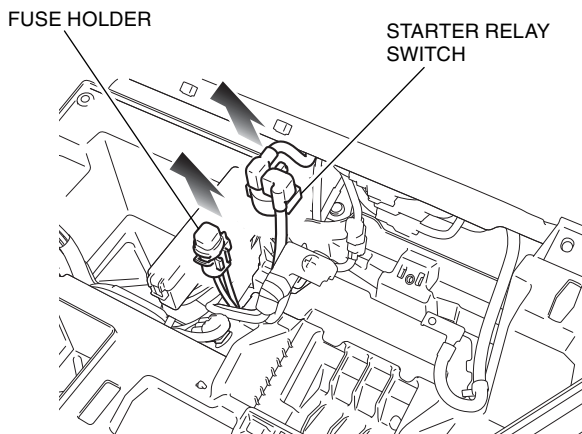
- Cover the duct with a shop towel to prevent debris from entering the duct.



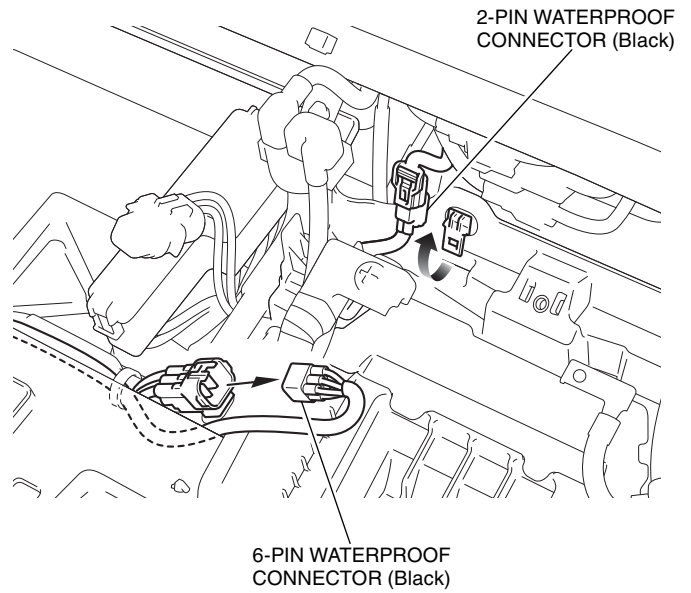
13. Remove the relay and fuse box as shown.



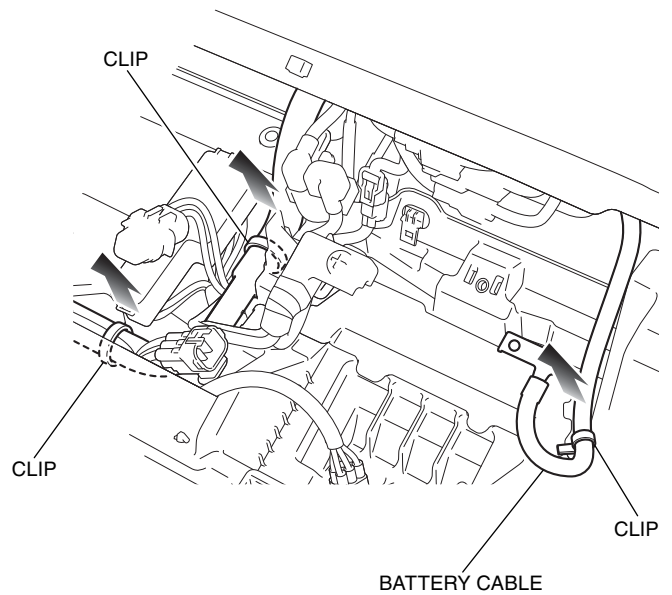
14. Remove the fuse holder and starter relay switch as shown.



15. Remove the connectors as shown.

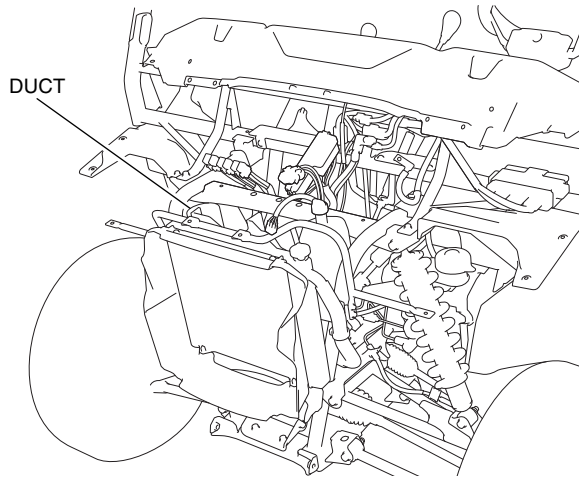
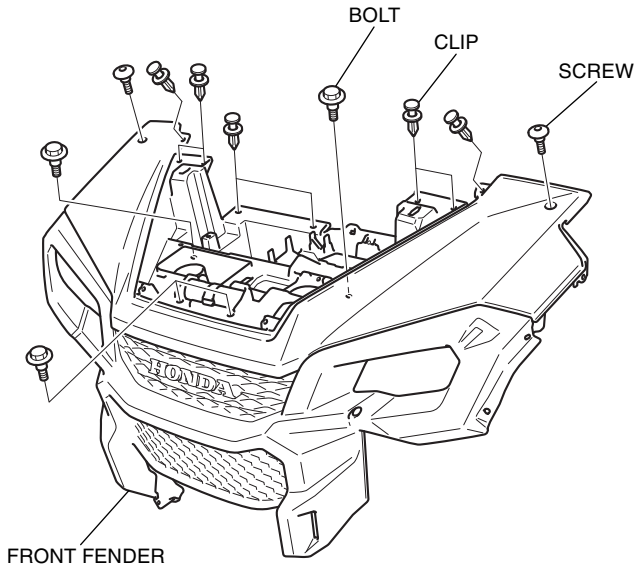


16. Remove the clips as shown.



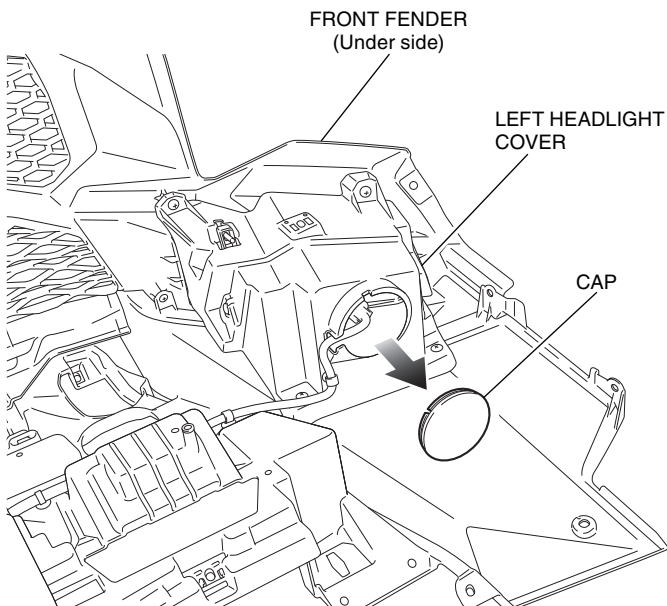
17. Remove the front fender as shown.

- Cover the duct with a shop towel or similar to prevent debris from entering the duct.

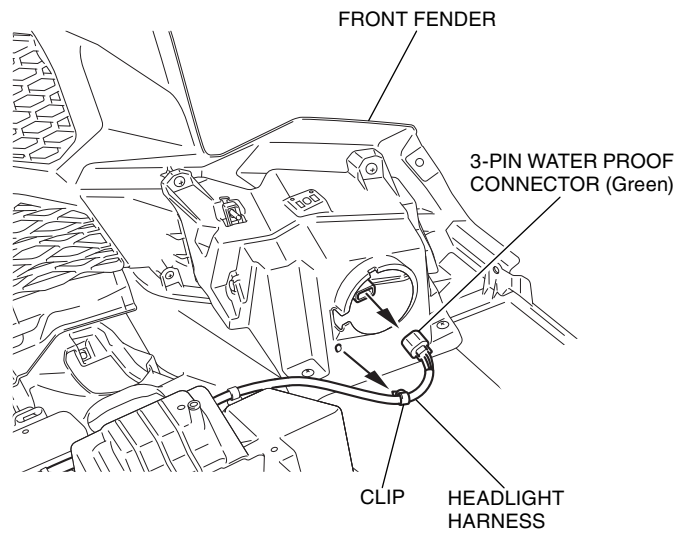


18. Remove the cap as shown.

<Left side>

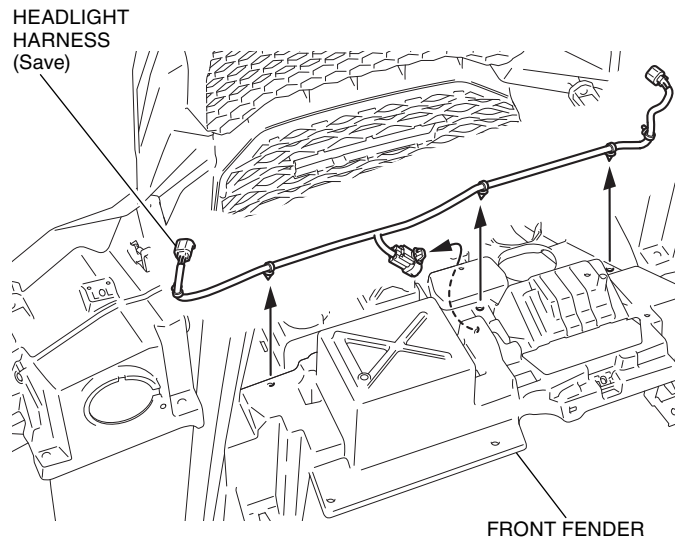


19. Remove the clip and connector as shown.

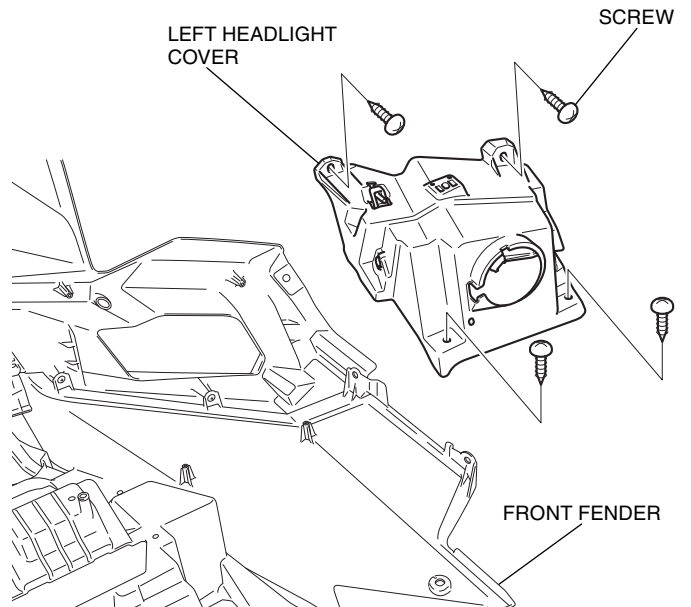


20. Repeat Steps 18 and 19 on the right side.

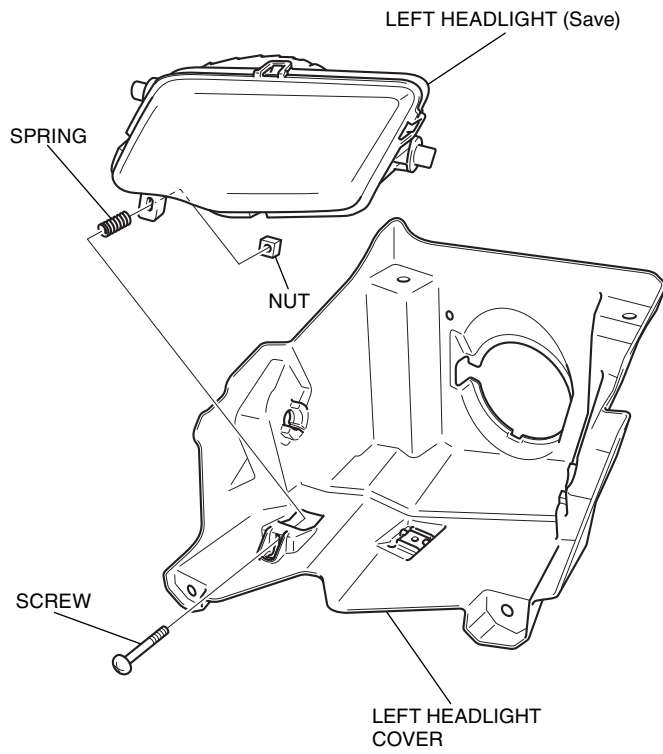
21. Remove the headlight harness as shown.



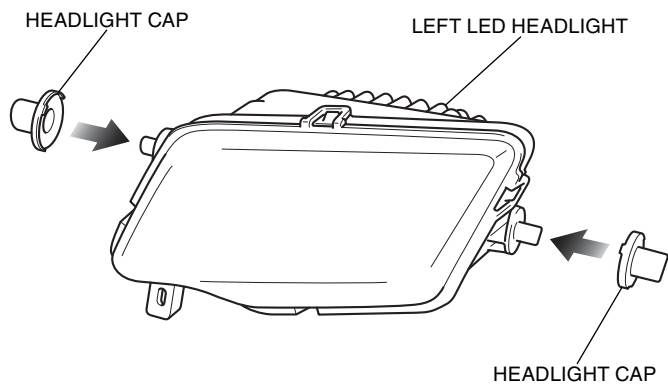
22. Remove the left headlight cover as shown.



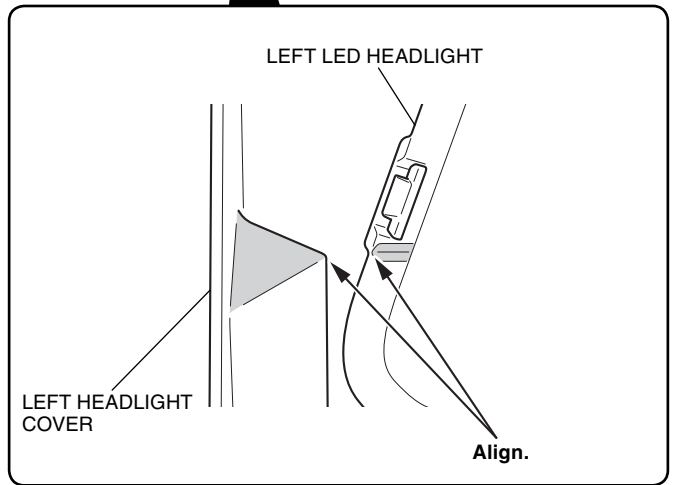
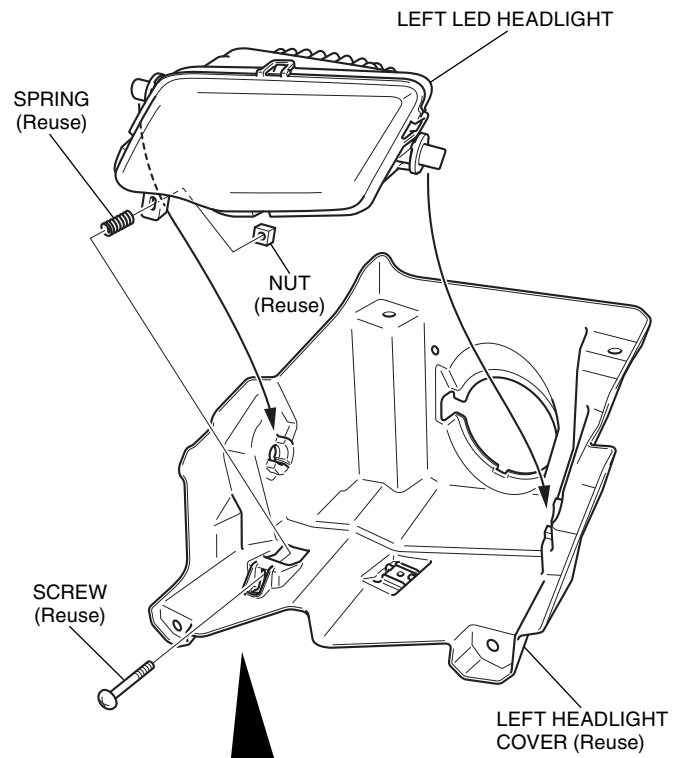
23. Remove the left headlight as shown.



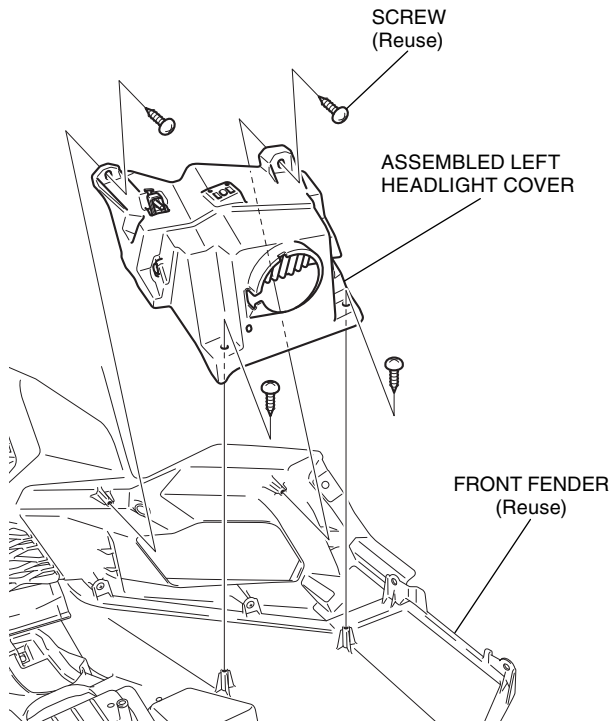
24. Install the headlight caps on the left LED headlight as shown.



25. Install the left LED headlight as shown.

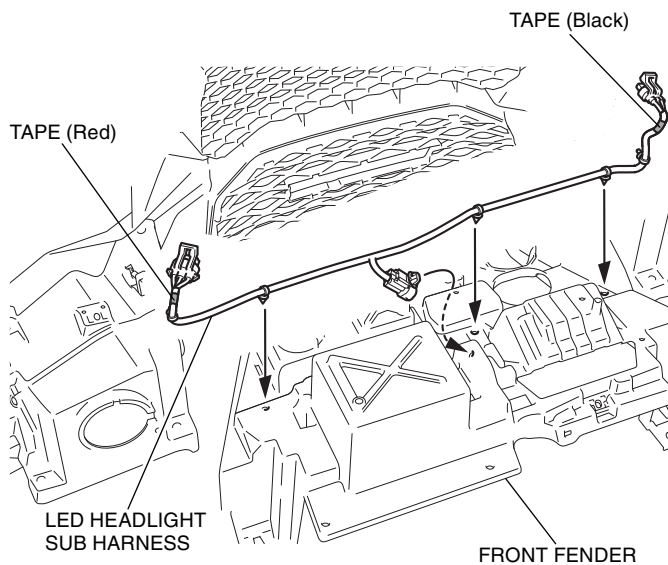


26. Install the assembled left headlight cover in the reverse order of removal.



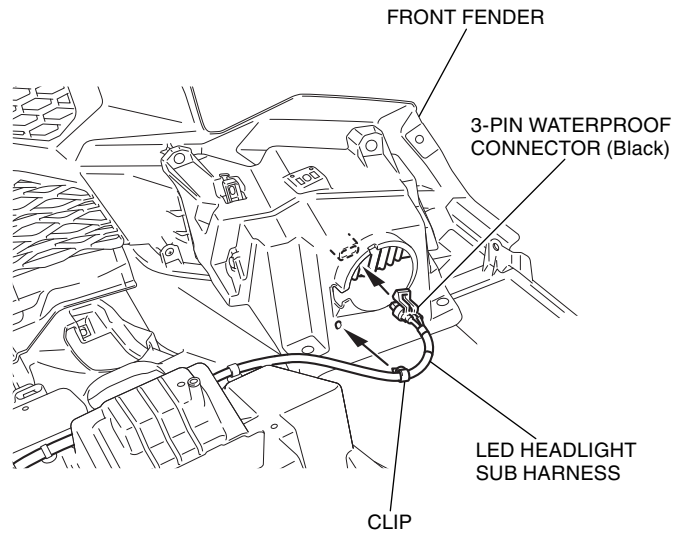
27. Repeat Steps 23 through 26 on the right side.

28. Install the LED headlight sub harness as shown.



29. Install the clip and connector as shown.

- Repeat on the right side.



30. Install the caps and front fender in the reverse order of removal.

- Remove the covered shop towel or similar.

31. Install the vehicle's parts in the reverse order of removal.

- Confirm that any wire harness is not caught or too tight.

32. Connect the negative (-) cable to the battery and check each light for function.

33. Check the LED headlight aim and adjust if necessary.