

HONDA

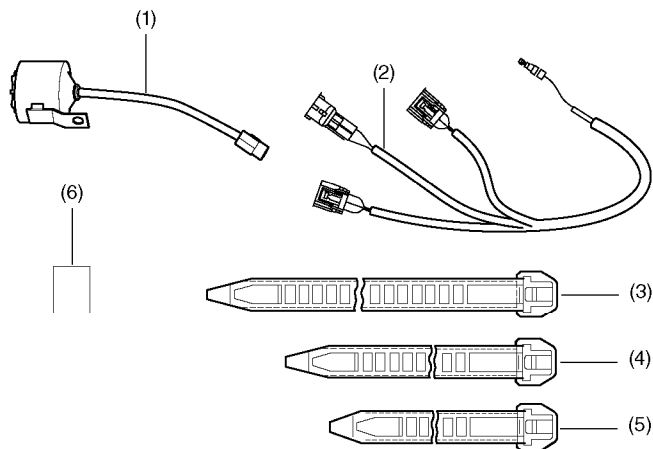
INSTALLATION INSTRUCTIONS

Accessory
BACK UP ALARM
 P/N 08V70-HL5-A00
BACK UP ALARM HARNESS
 P/N 08V70-HL5-E60

Application
SXS520M2

Publication No.
MII 17623
 Issue Date
December 2020

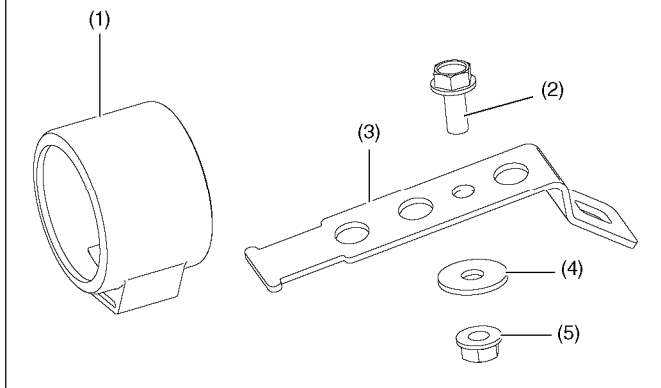
PARTS LIST



No.	Description	Qty
(1)	Back up alarm (sold separately as 08V70-HL5-A00)	1
(2)	Back up alarm wiring (included in 08V70-HL5-E60, sold separately as 08Z00-HL5-E60)	1
(3)	Wire tie (long)	2
(4)	Wire tie (medium)	14
(5)	Wire tie (short)	2
(6)	Installation Instructions URL	1

BACK UP ALARM MOUNT

P/N 08Z70-HL5-E60
 Sold separately

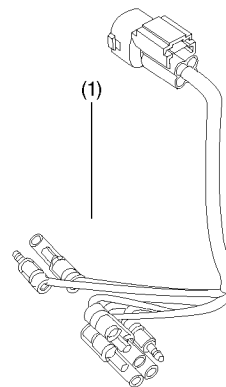


No.	Description	Qty
(1)	Suspension	1
(2)	6mm flange bolt	1
(3)	Back up alarm stay	1
(4)	6mm washer	1
(5)	6mm nut	1

ACCESSORY SUB-HARNESS

Sold separately P/N 08Z08-HL5-A00

The Accessory Sub-Harness is required for the installation of this accessory.



No.	Description	Qty
(1)	Accessory sub-harness	1

TOOLS AND SUPPLIES REQUIRED

Scissors

TORQUE CHART

Tighten all screws bolts, and nuts to their specified torque values. Refer to the Service Manual for the torque values of the removed parts.

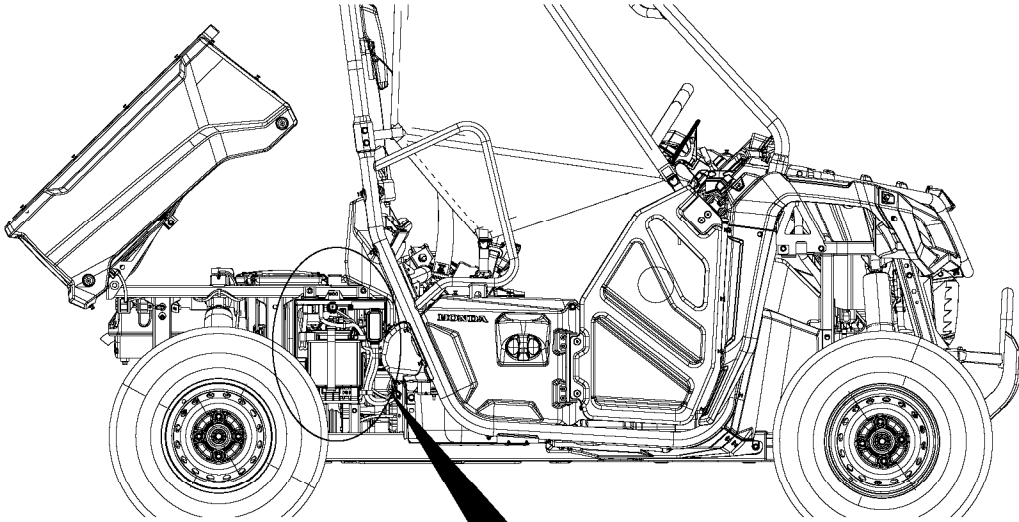
USE AND CARE INFORMATION

Check accessory mounts frequently and retighten if necessary. Trim all excess material on wire ties no shorter than 5 mm.

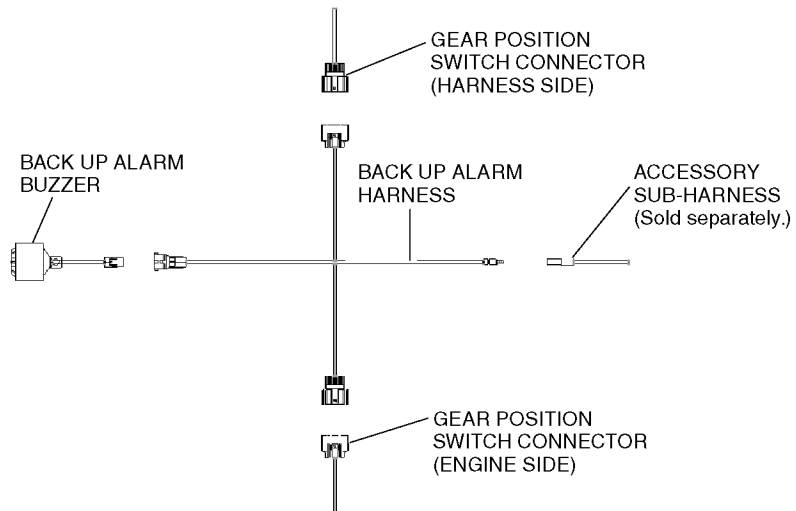
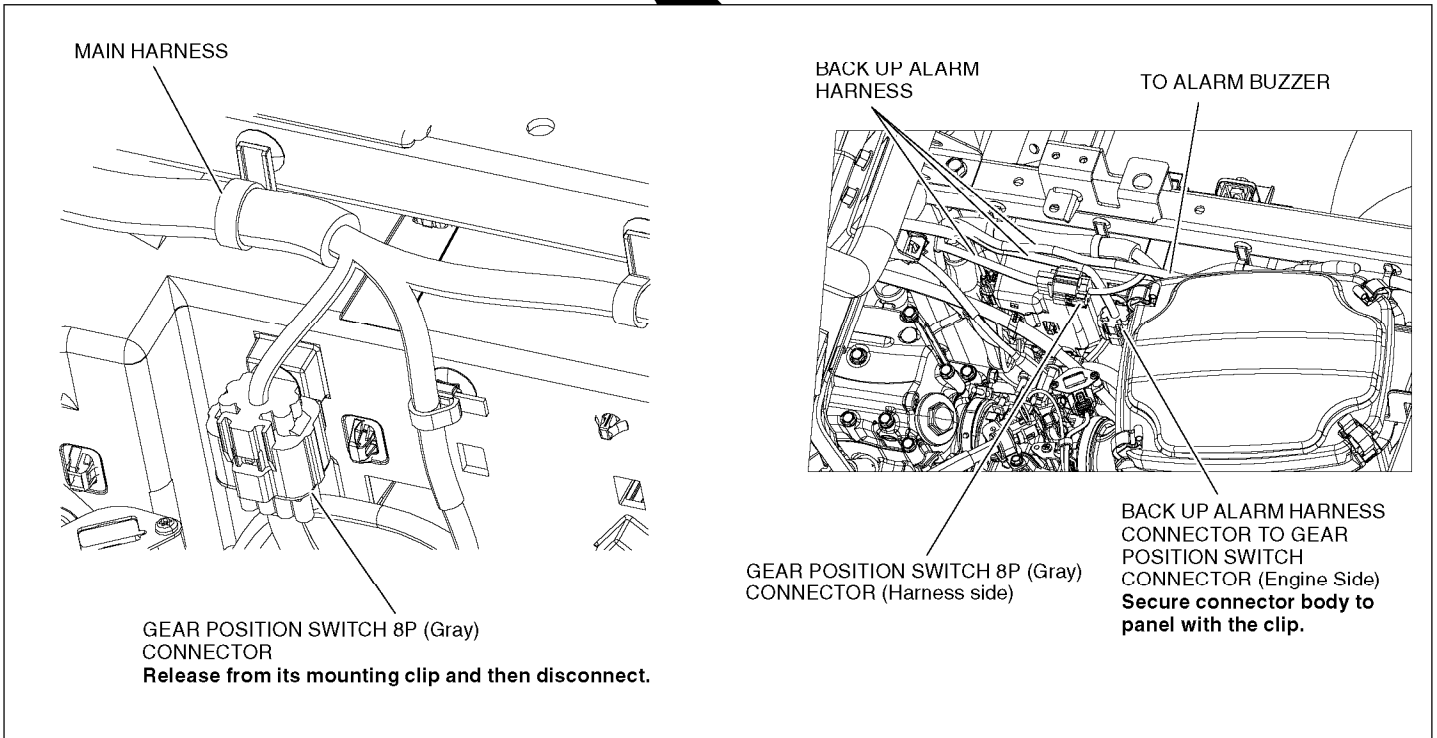
INSTALLATION

- Refer to the Service Manual for the vehicle and remove the following components in the following order:
 - Intake air duct
 - Battery cover
 - Seat (cushion and backrest)
 - Seat bottom cover (right and left)
 - Seat rear cover
 - Rear floor cover
 - Front floor cover
 - Front hood
- Refer to the Service Manual for the vehicle and disconnect negative (-) battery cable.

- Lift the cargo bed as shown. Install and connect the back up alarm harness between the two halves of the gear position switch connector as shown.



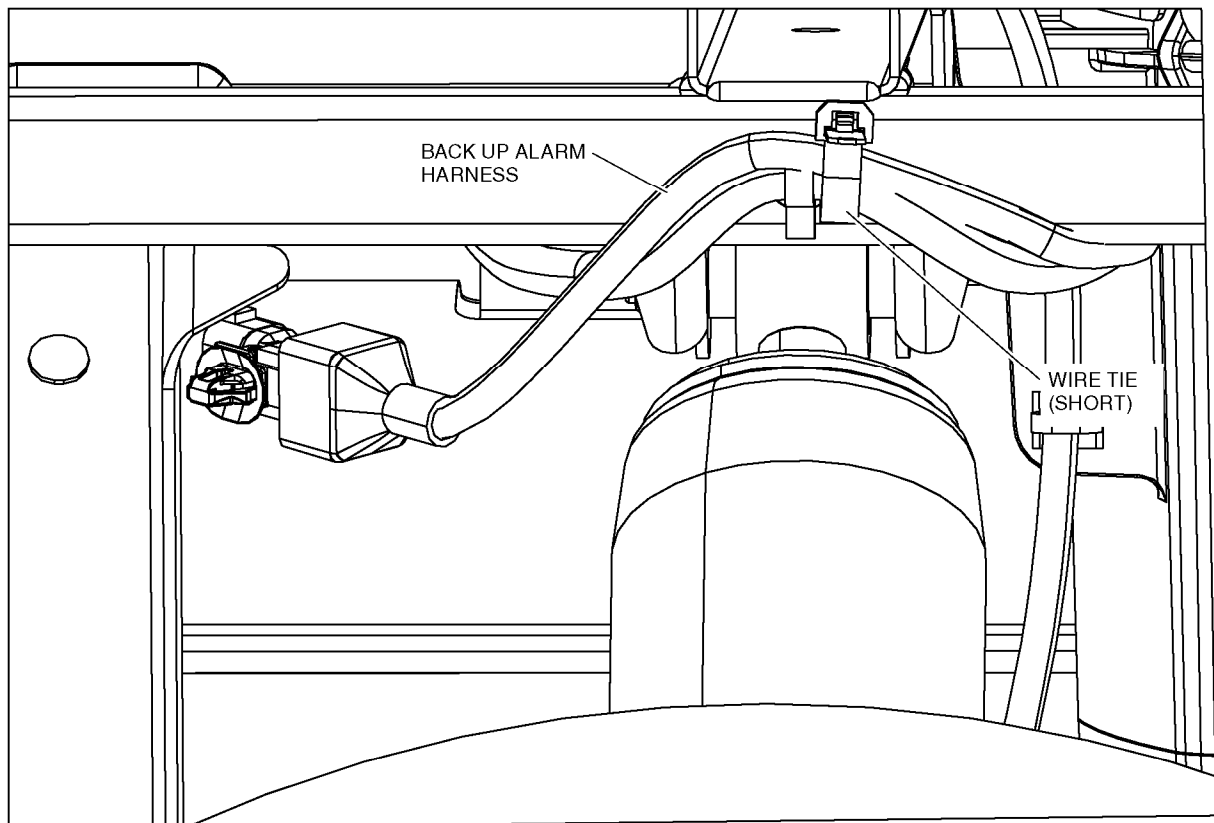
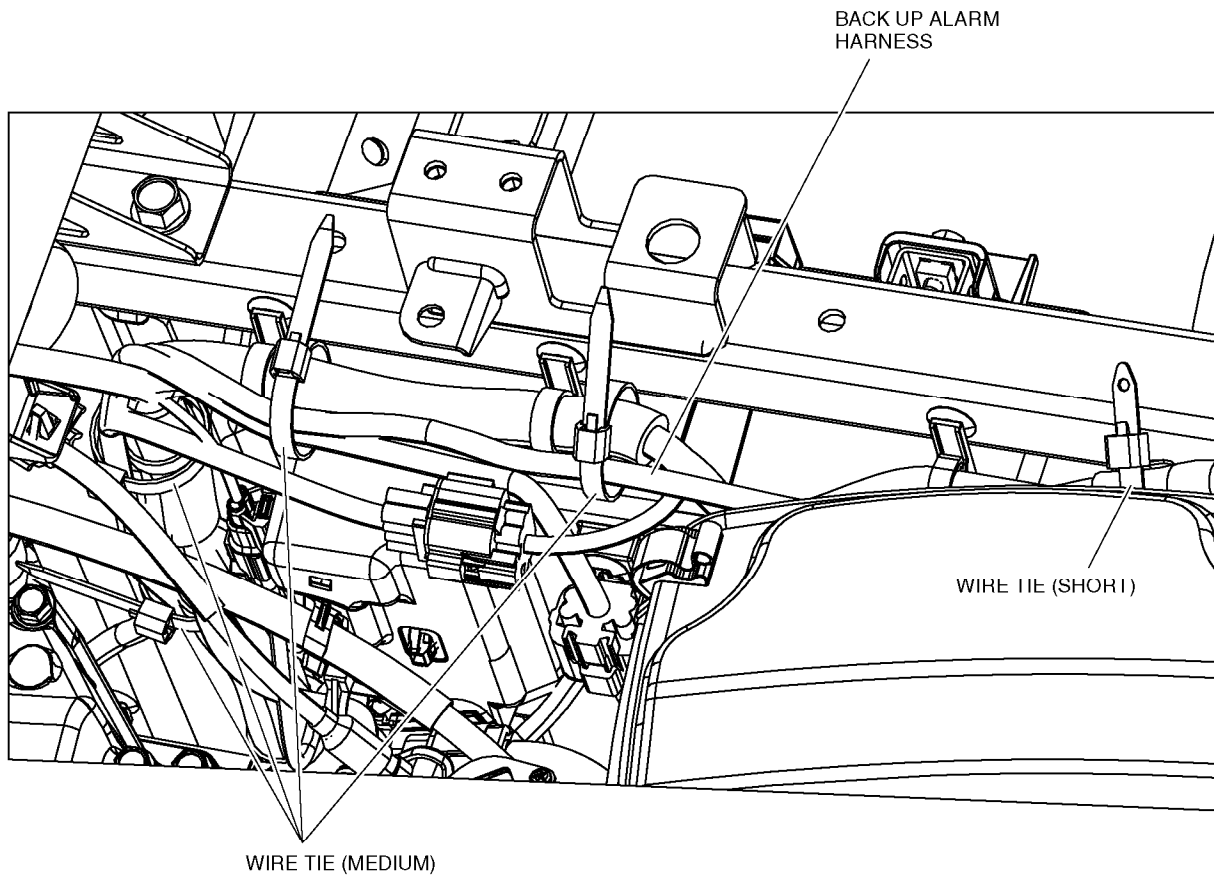
Back up alarm harness connection:



4. Follow the main harness toward the rear of the vehicle. Secure the back up alarm harness to the main harness with wire ties in the locations shown.

NOTE:

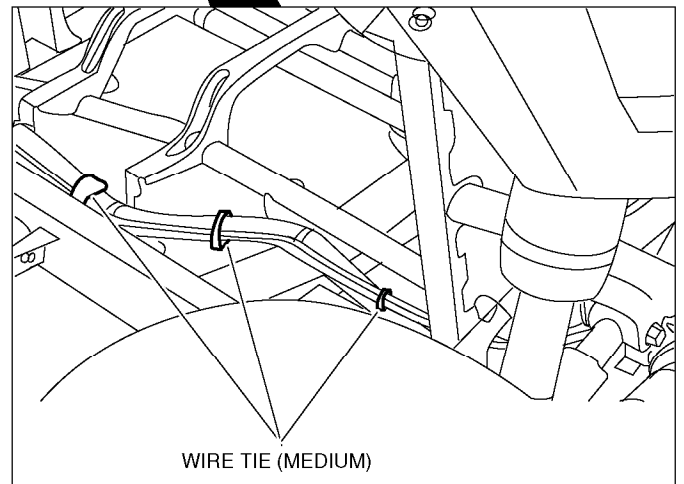
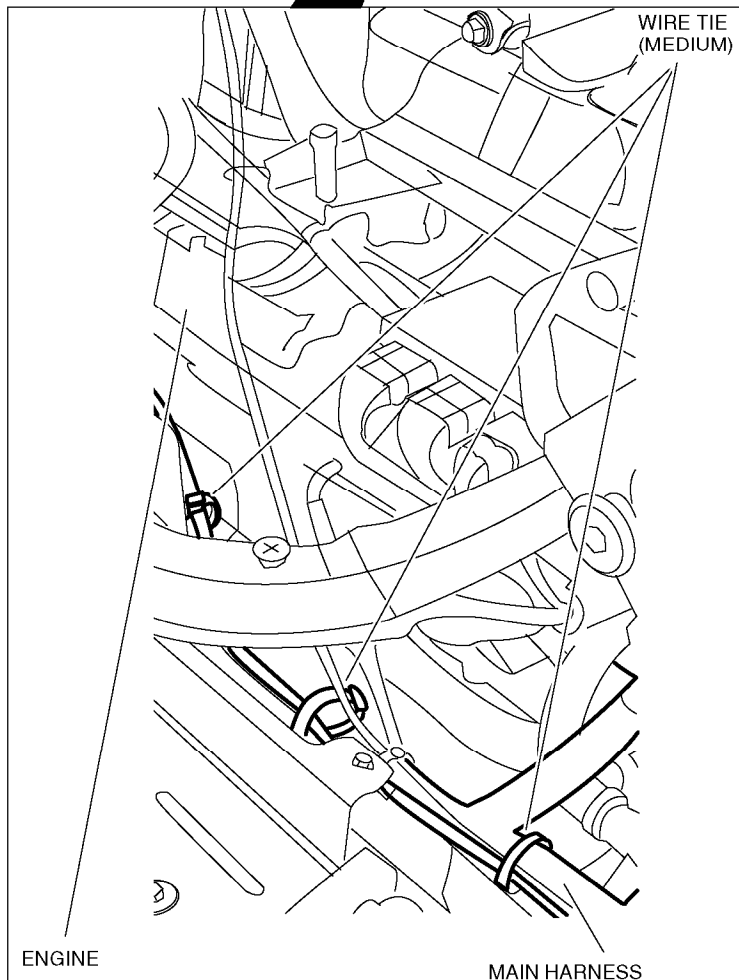
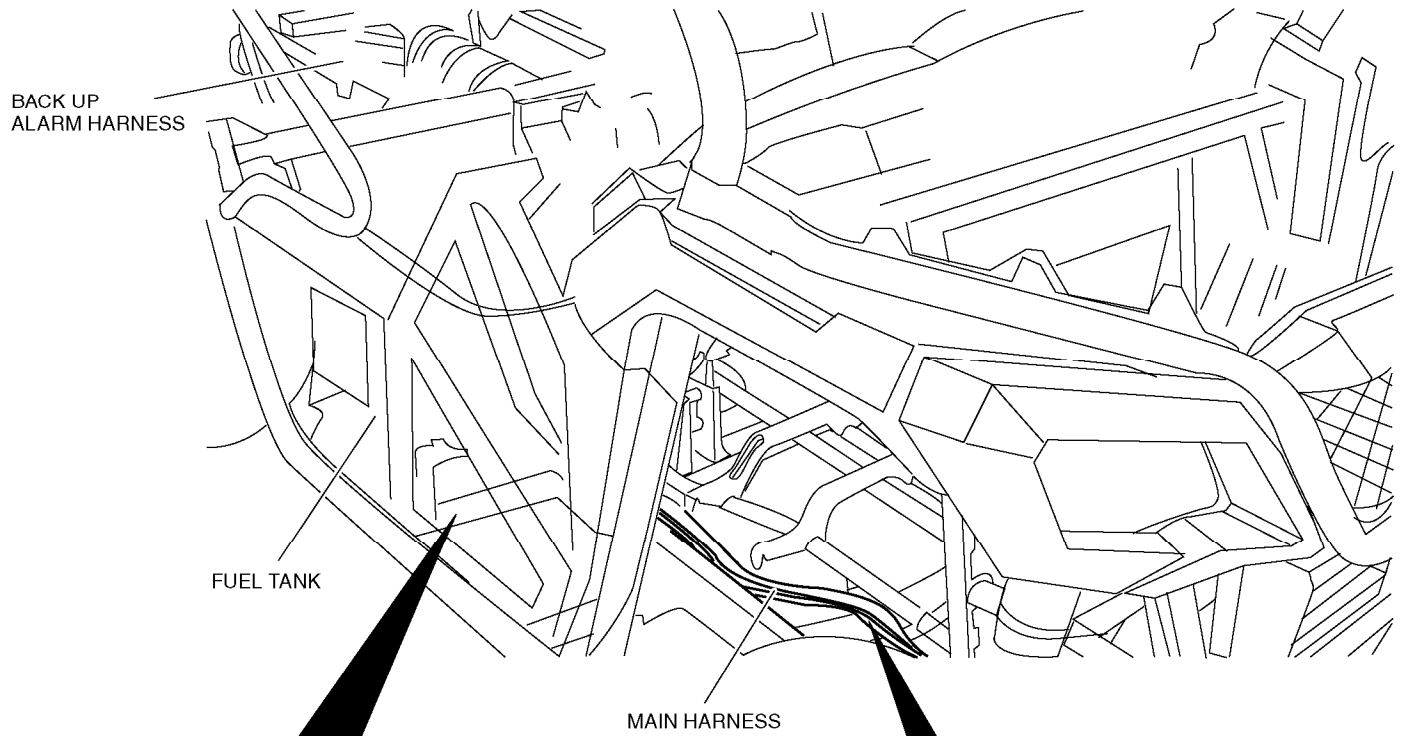
Secure the alarm harness only to the main harness. Do not wire tie any control cables.



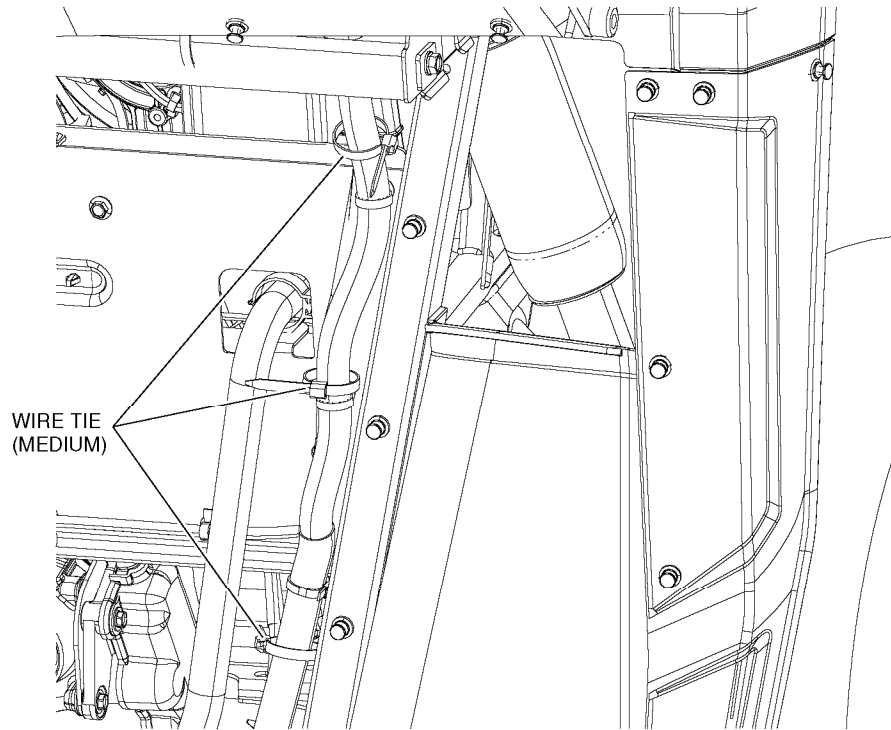
5. Continue securing the back up alarm harness. Follow the main harness down near the back of the engine, under the passenger seat as shown, and secure the back up alarm harness to the main harness with wire ties.

NOTE:

Secure the alarm harness only to the main harness. Do not wire tie any control cables.

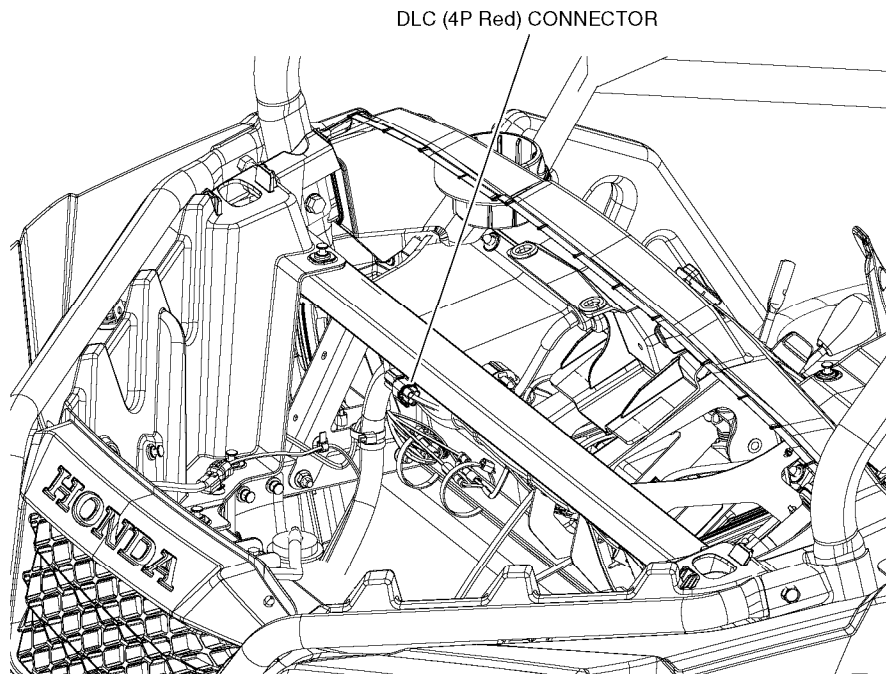


6. Follow the main harness going up. Secure the back up alarm harness to the main harness with wire ties along the front right side of the vehicle as shown.



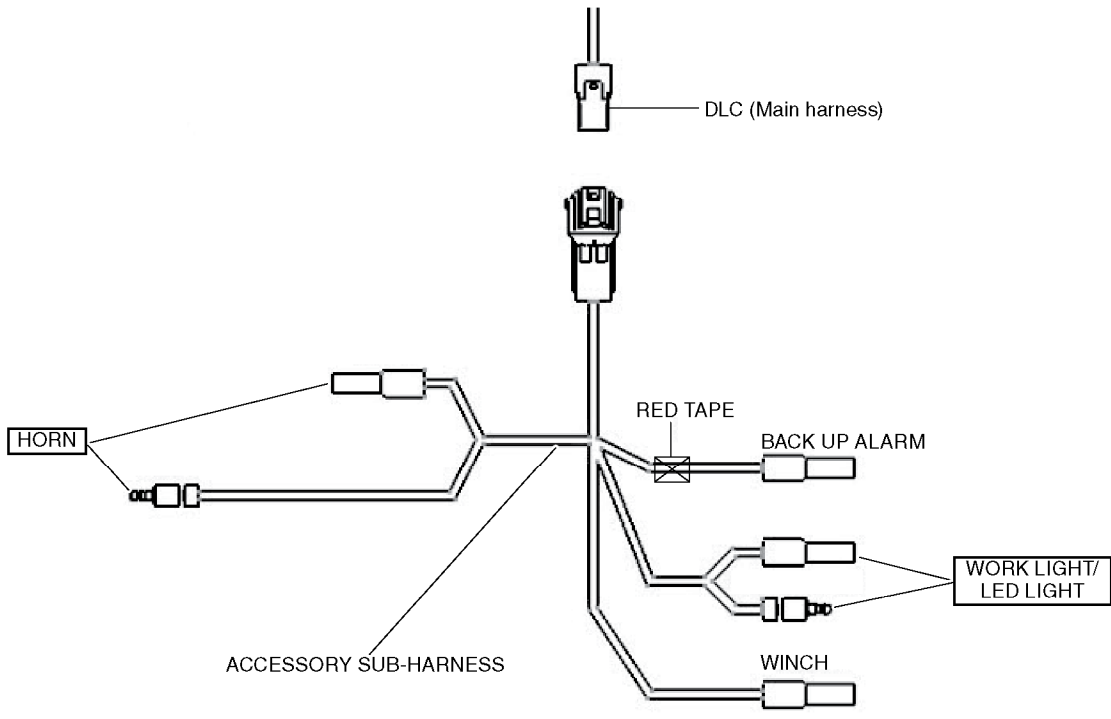
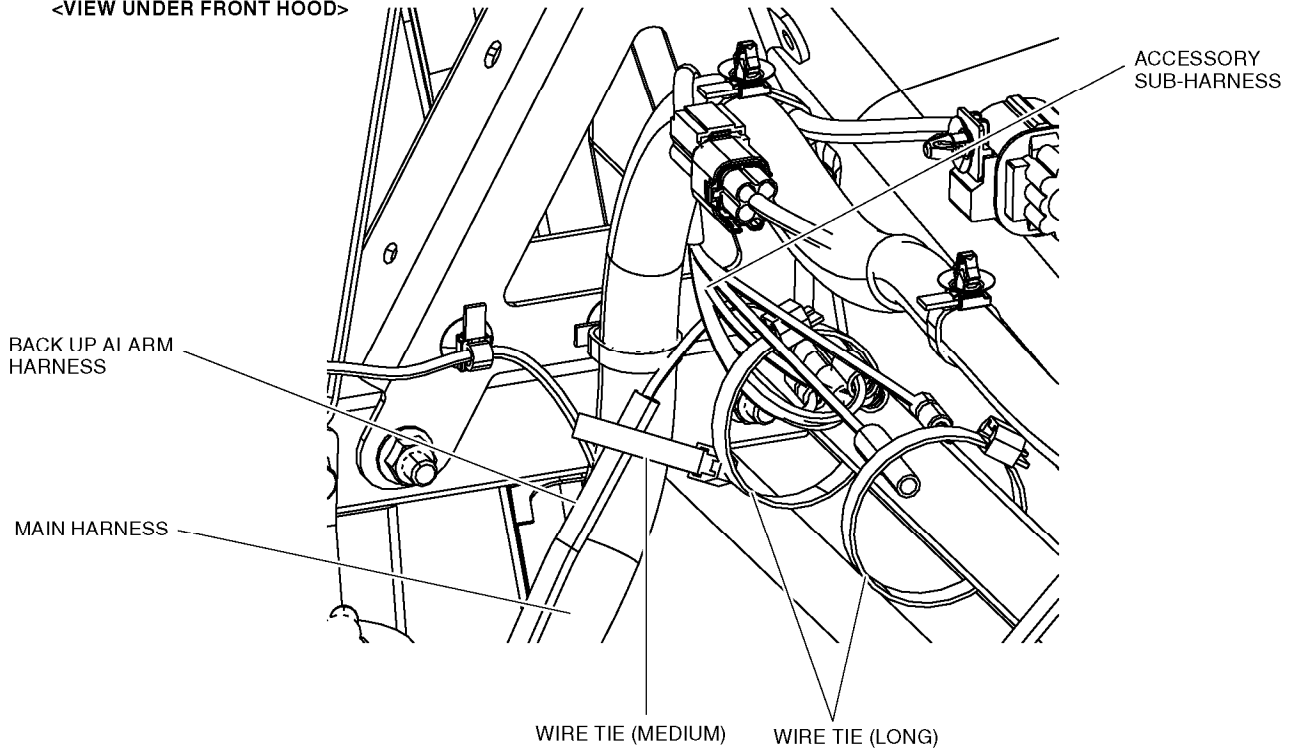
7. Locate the DLC (4P Red) connector and remove the dummy cap. Be sure to leave the black tape around the connector body (harness side).

<VIEW UNDER FRONT HOOD>

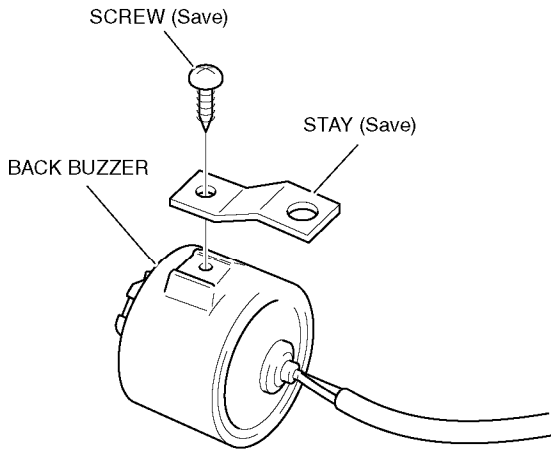


8. Connect the accessory sub-harness to the DLC (4P Red) connector.
 Connect the back up alarm harness to the red tape wire of the accessory sub-harness as shown.
- Note that only one connector of the accessory sub-harness is used for the back up alarm, the remaining connectors are for other accessories.
- Secure any excess harness to the frame with wire ties.

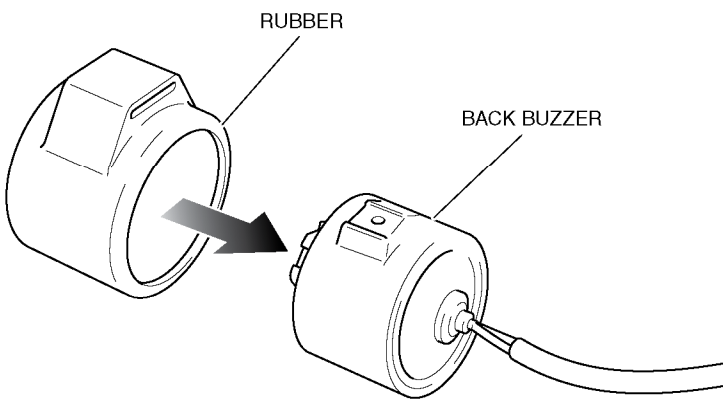
<VIEW UNDER FRONT HOOD>



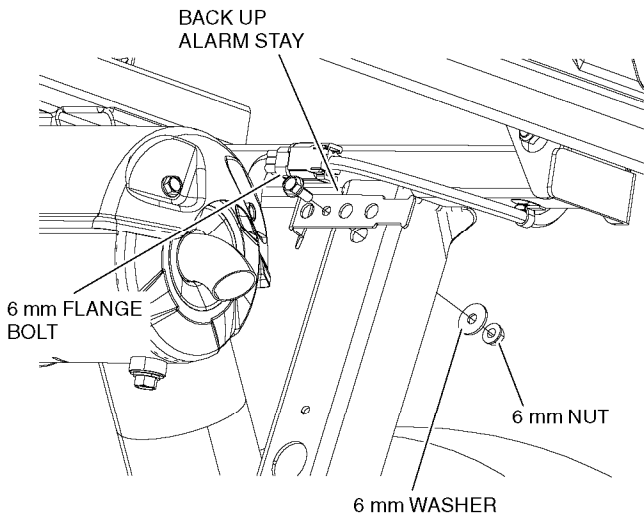
9. Remove the parts as shown.



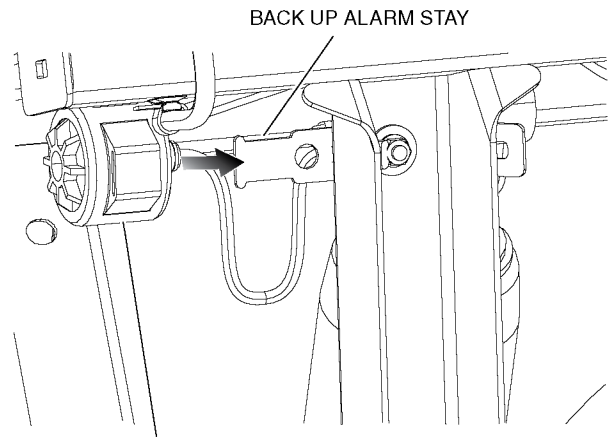
10. Install the suspension on the back up buzzer as shown.



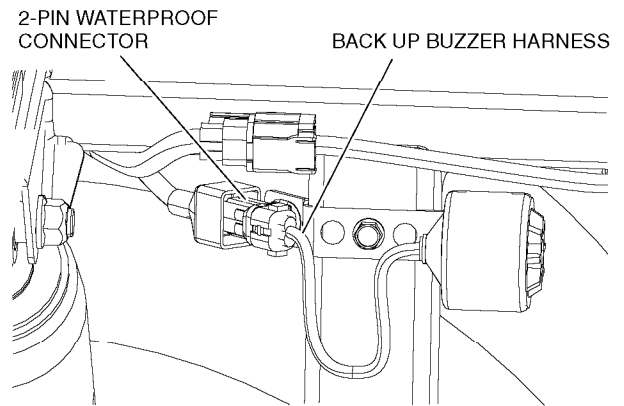
11. Install the back up alarm stay as shown.



12. Install the assembled back up buzzer on the back up alarm stay.



13. Attach the connector clip on the back up alarm harness to the back up alarm stay. Connect the back up buzzer harness as shown.



14. Reconnect the negative (-) battery cable.

15. Start the engine and then select reverse to confirm the performance of the back up alarm.

- Troubleshoot any problems if necessary.

16. Refer to the Service Manual, reinstall the removed vehicle parts in the reverse order of removal.