



# INSTALLATION INSTRUCTIONS

Accessory

ACCESSORY SOCKET  
P/N 08U71-K87-A30

Application

CMX300/A  
CMX500/A

Publication No.

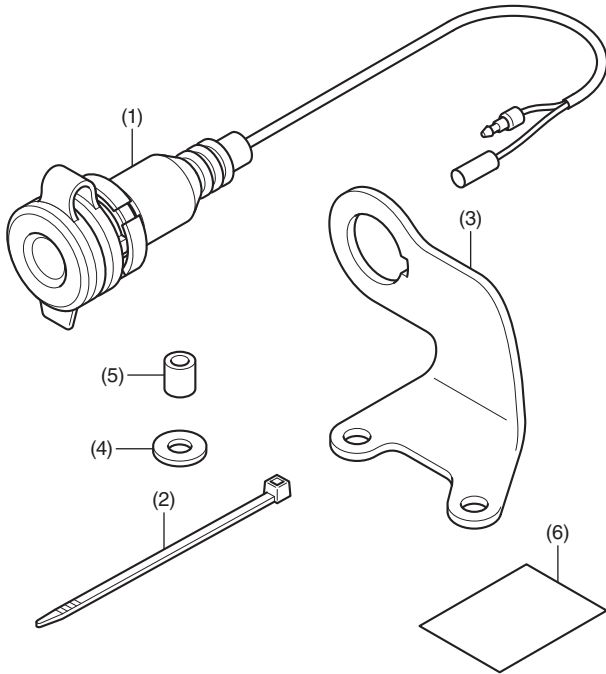
MII 17465

Issue Date

March 2020

**Honda Dealer: Please give a copy of these instructions to your customer.**

## PARTS LIST



No.	Description	Qty
(1)	Accessory socket	1
(2)	Wire tie [35701-MG9-950] <b>(Not used.)</b>	1
(3)	Stay	1
(4)	Washer	2
(5)	Collar	2
(6)	URL paper	1

## TOOL AND SUPPLY REQUIRED

Nippers

Electrical tape

## TORQUE INFORMATION

Refer to the Service Manual for the torque values of the removed parts.

## Please Convey the Following Information to the Customer During Delivery

### NOTICE:

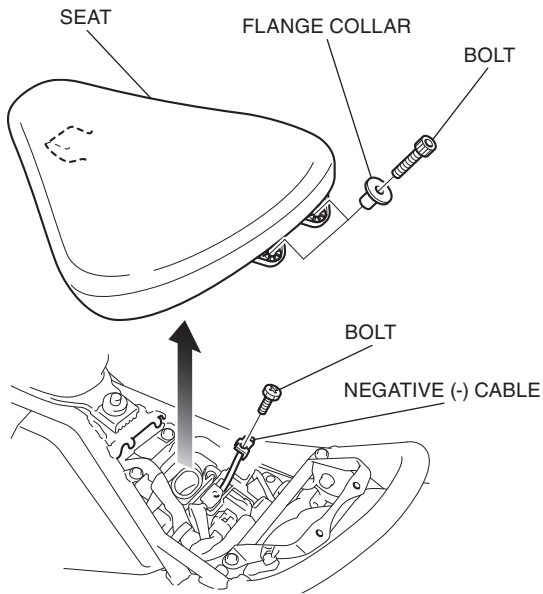
- **Combined current of all accessories used by this Accessory Socket cannot exceed 3A. Exceeding this maximum current rating will cause a fuse to blow or dead battery.**

## INSTALLATION

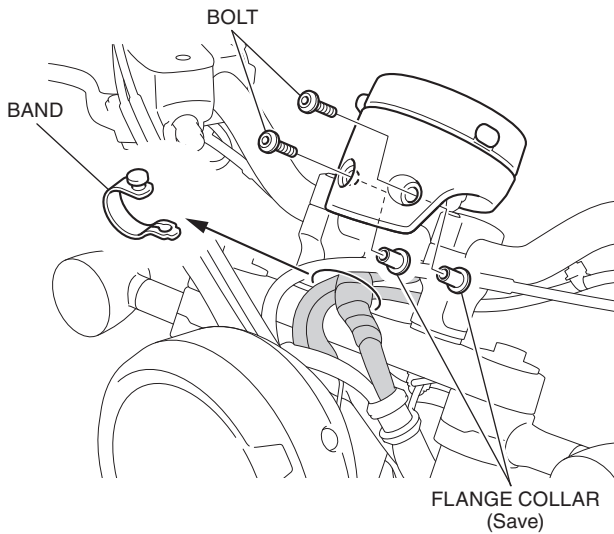
### NOTE:

- Take care not to damage the painted surfaces of the motorcycle.
- Reinstall the removed parts on the motorcycle and make sure that wires and harnesses are not pinched.
- Disconnect the negative (-) cable from the battery before installing this accessory.
- The memory of the clock will be erased when you disconnect the battery. After reconnecting the battery, refer to the motorcycle Owner's Manual and reset the meter.
- Trim the excess ends off the wire ties after attaching them to the wire harnesses. Do not allow the cut part of the wire tie to interfere with another harness or brake hose.
- After this accessory installation, check the lights (e.g. right / left turn signal lights and brake lights) for proper operation.

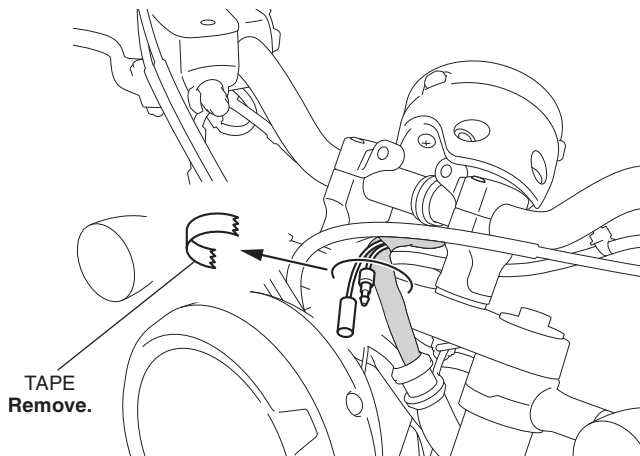
1. Refer to the Service Manual for the motorcycle, remove the motorcycle parts, and disconnect the negative (-) cable from the battery as shown.



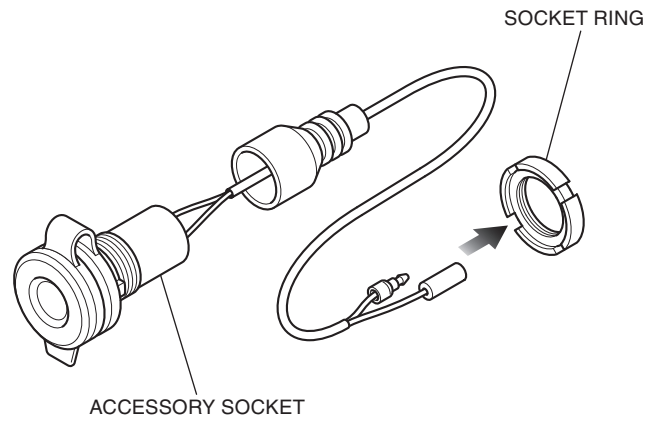
2. Refer to the Service Manual for the motorcycle, remove the motorcycle parts.



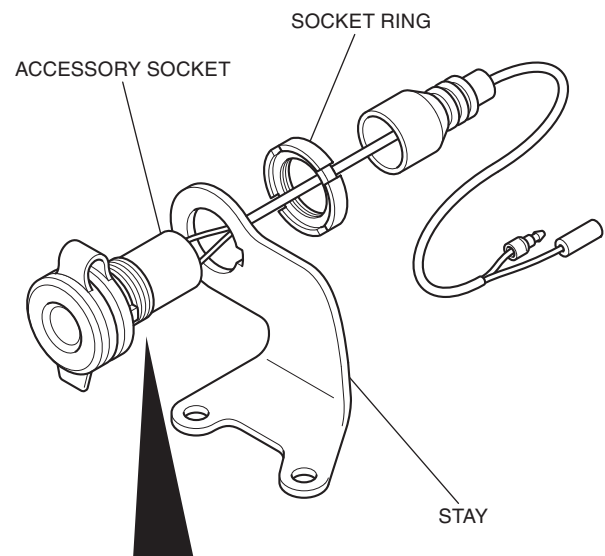
3. Remove the tape as shown.



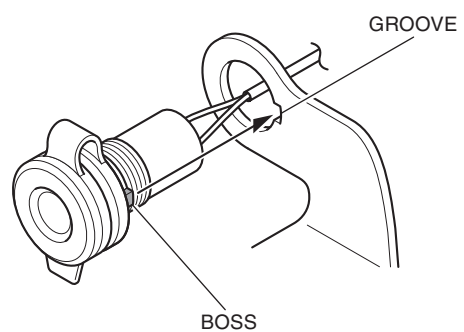
4. Remove the socket ring as shown.



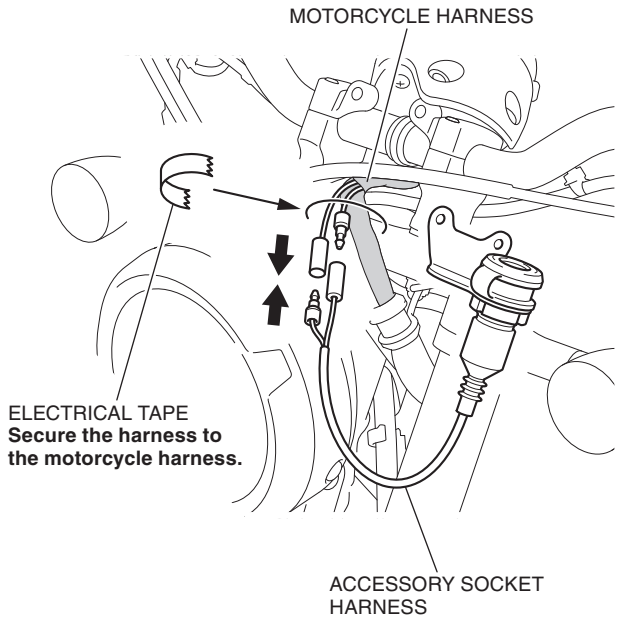
5. Install the socket stay as shown.



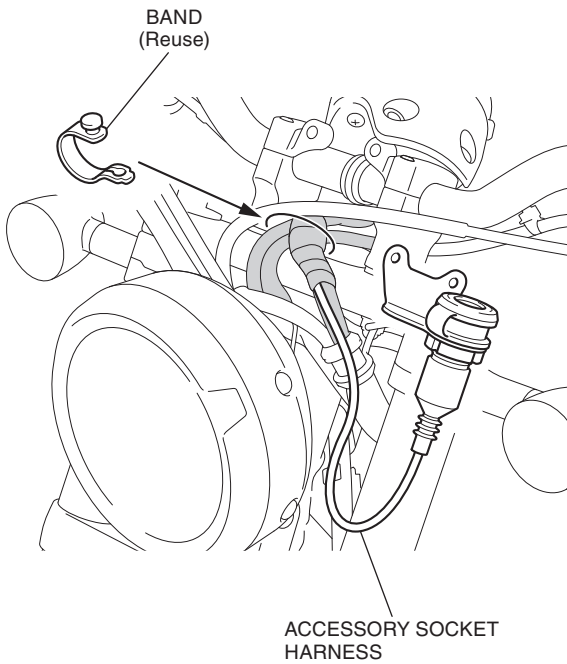
**Align the boss with the groove.**



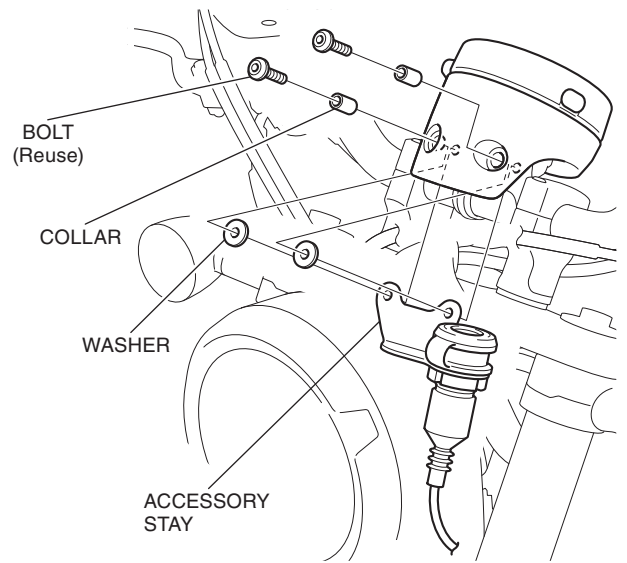
6. Connect the accessory socket harness as shown.



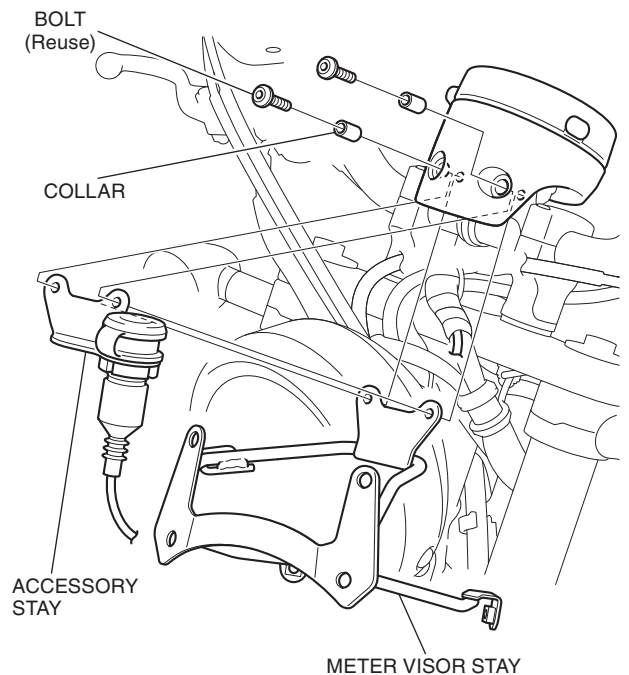
7. Secure the accessory socket harness with the motorcycle's band as shown.



8. Install the accessory socket stay as shown.



Motorcycle with the Meter visor and this accessory.



9. Install the motorcycle's parts in the reverse order of removal.

- Confirm that the harnesses are not caught or too tight.