



INSTALLATION INSTRUCTIONS

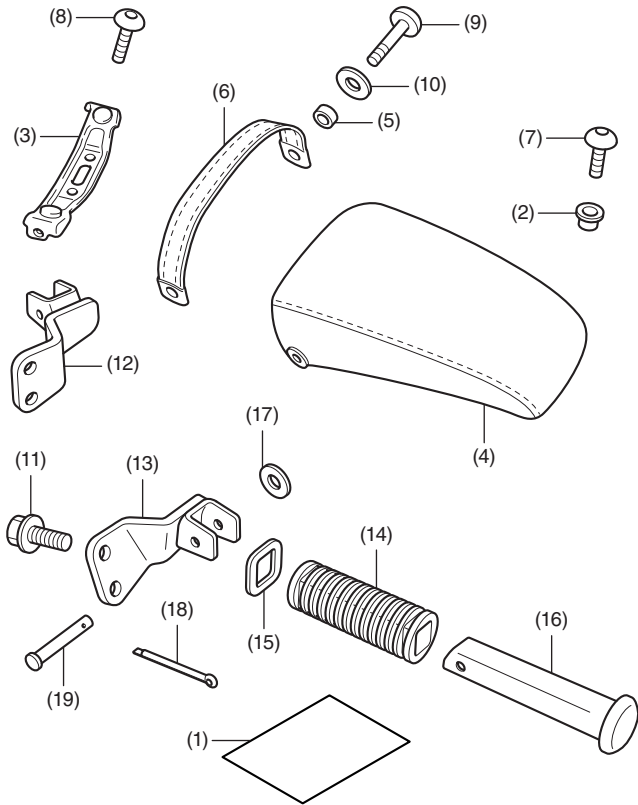
Accessory
PASSENGER SEAT AND PEG KIT
 P/N 08R73-MFR-H80

Application
After '15 VT1300CX/CXA

Publication No.
MII 16121
 Issue Date
January 2017

Honda Dealer: Please give a copy of these instructions to your customer.

PARTS LIST



No.	Description	Qty
(1)	Installation Instructions URL	1
(2)	Flange collar	1
(3)	Passenger seat stay	1
(4)	Passenger seat	1
(5)	Collar	2
(6)	Passenger strap	1
(7)	6 mm screw (short)	1
(8)	6 mm screw (long)	2
(9)	8 mm socket bolt	2
(10)	Washer (large)	2
(11)	8 mm flange bolt	4
(12)	Right passenger peg bracket	1
(13)	Left passenger peg bracket	1
(14)	Footpeg cushion	2
(15)	Passenger peg washer	2
(16)	Passenger peg bar	2
(17)	Washer (small)	2
(18)	Split pin	2
(19)	Pin	2

Safety Certification and Tire Label Set Sold separately

- This label set **MUST BE** installed with the Passenger Seat and Peg Kit on 2016 VT1300CX/A models **ONLY**. The label contains important safety information. Use the chart below to select the correct part number for the model type then follow the Installation Instructions for the label set carefully.

MODEL TYPE	PART NUMBER
49- State, ABS	08R75-MFR-A80
California, ABS	08R75-MFR-A90
49-State, NON-ABS	08R75-MFR-H20
California, NON-ABS	08R75-MFR-H30

TOOLS AND SUPPLIES REQUIRED

- Socket (12 mm)
- Ratchet
- Hex wrench (5 mm)
- Pliers
- Grease
- Torque wrench

TORQUE CHART

Tighten all screws, bolts, and nuts to their specified torque values. Refer to the Service Manual for the torque values of the removed parts.

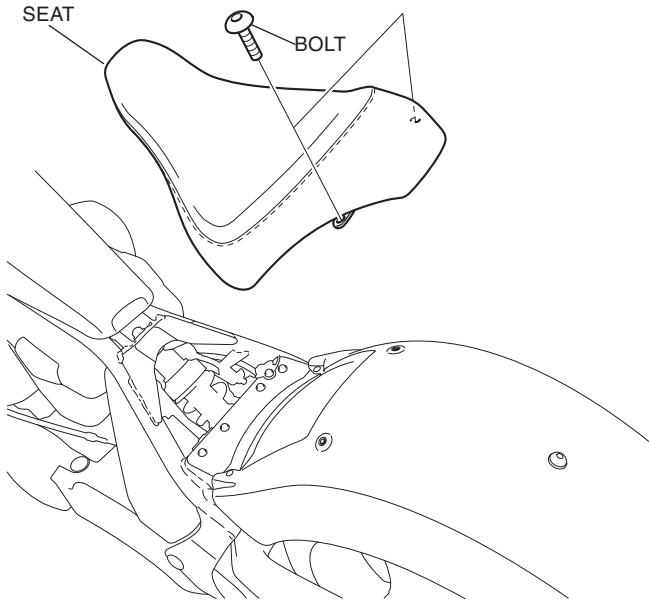
Item	N-m	kgf-m	lbf-ft
6 mm screw	9	0.9	6.6
8 mm socket bolt	22	2.2	16
8 mm flange bolt	27	2.8	20

INSTALLATION

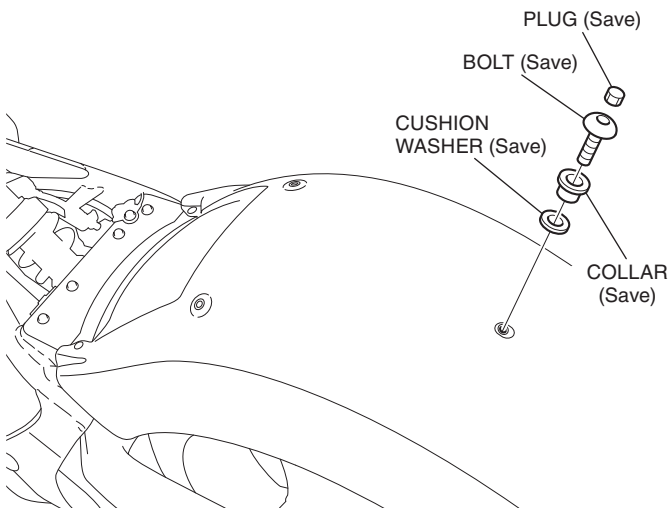
▲ CAUTION

- To prevent burns, allow the engine, exhaust system, radiator, etc., to cool before installing the accessory.

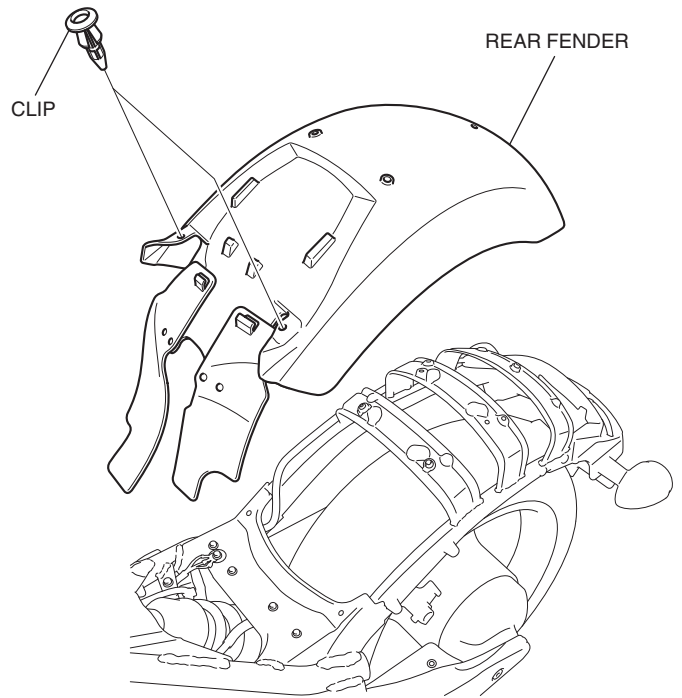
1. Remove the seat as shown.



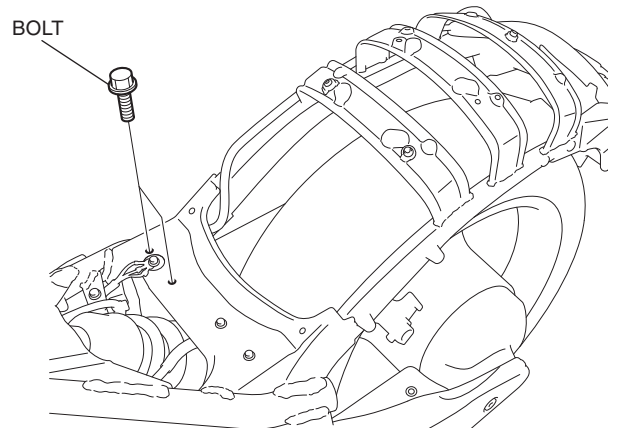
2. Remove the bolt as shown.



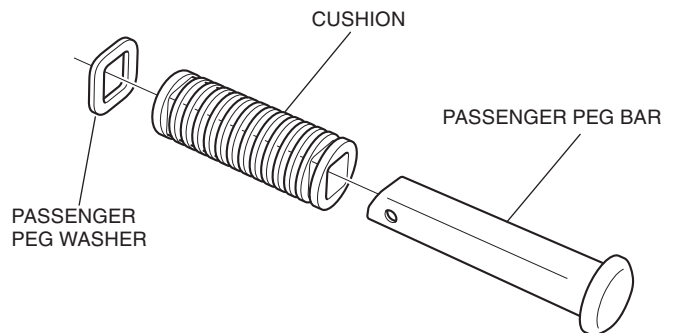
3. Remove the rear fender as shown.



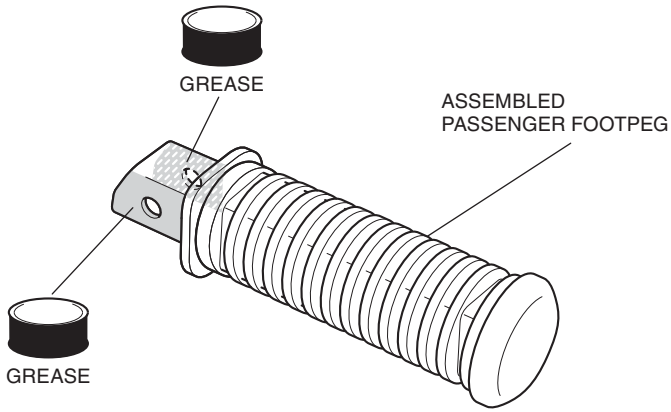
4. Remove the bolts as shown.



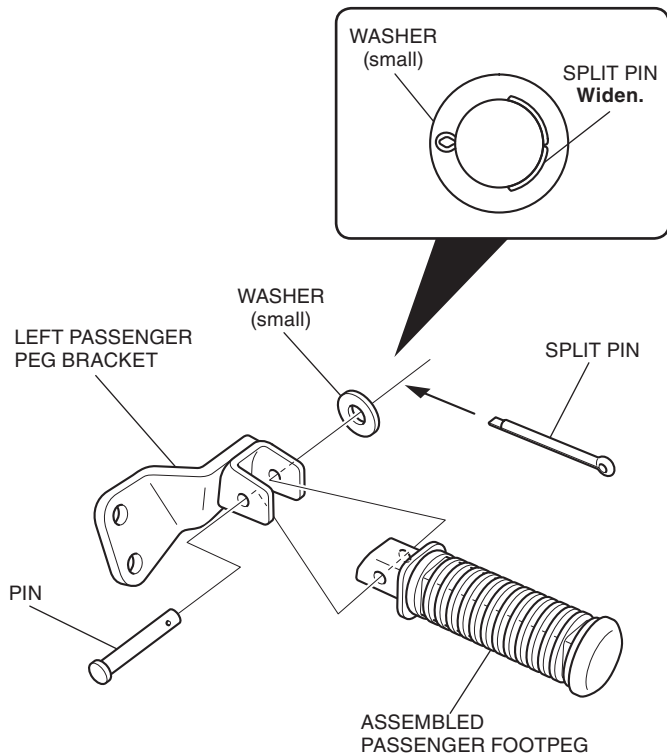
5. Assemble the passenger peg bar, cushion and passenger peg washer as shown.



6. Apply grease to the area shown.

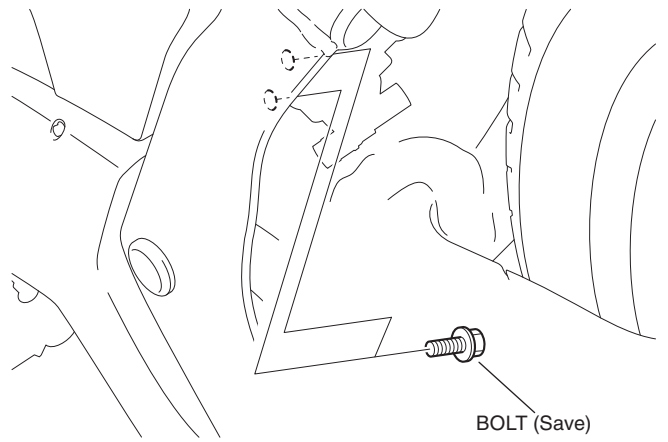


7. Install the left passenger peg bracket as shown.

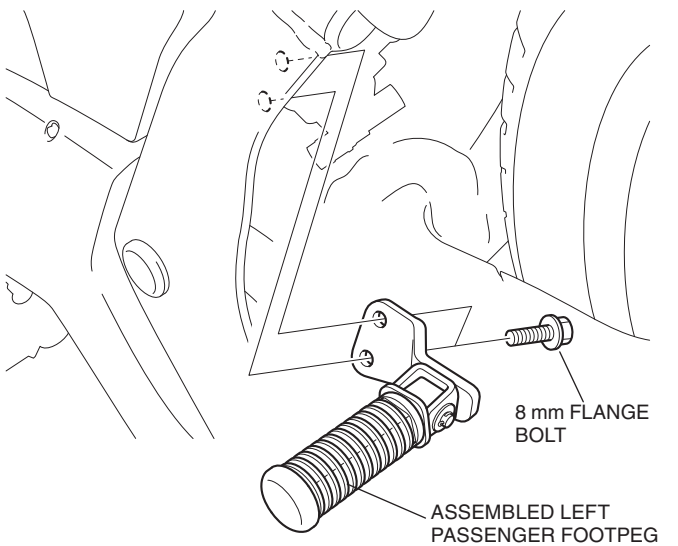


8. Remove the bolts as shown.

<Left side>



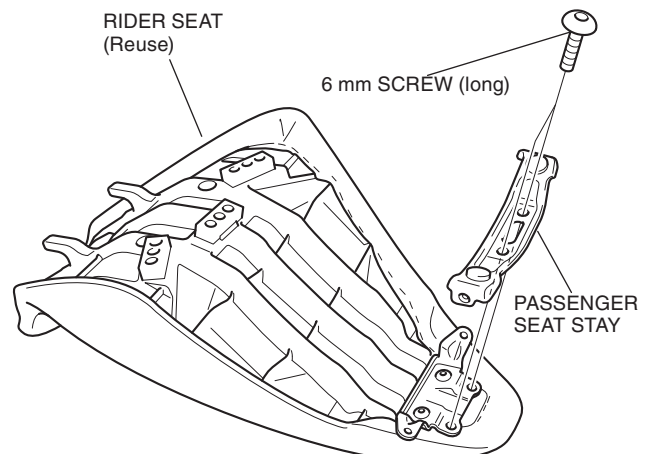
9. Install the assembled left passenger footpeg as shown.



10. Repeat steps 5 thru 9 on the right side.

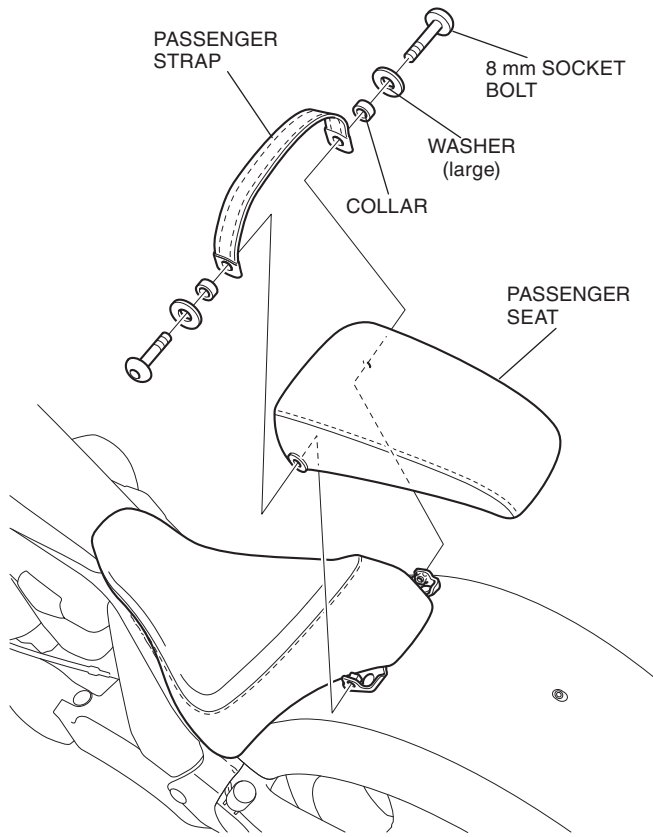
11. Install the bolts and rear fender in the reverse order of removal.

12. Install the passenger seat stay as shown.



13. Install the rider seat in the reverse order of removal.

14. Install the passenger seat as shown.



15. Install the parts as shown.

