

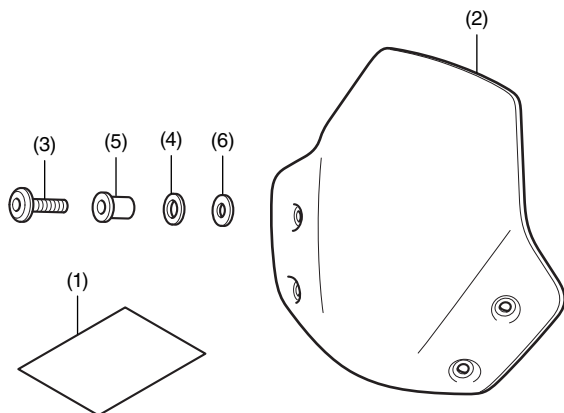
Accessory	Application	Publication No.
<b>FRONT VISOR</b> P/N 08R71-MKN-D50	<b>CB650R/RA</b>	<b>MII 17050</b>
		Issue Date
		<b>March 2019</b>

Accessory	Application	Publication No.
<b>FRONT VISOR</b> P/N 08R71-MKN-D50	<b>CB650R/RA</b>	<b>MII 17050</b>
		Issue Date
		<b>March 2019</b>

Accessory	Application	Publication No.
<b>FRONT VISOR</b> P/N 08R71-MKN-D50	<b>CB650R/RA</b>	<b>MII 17050</b>
		Issue Date
		<b>March 2019</b>

**Honda Dealer: Please give a copy of these instructions to your customer.**

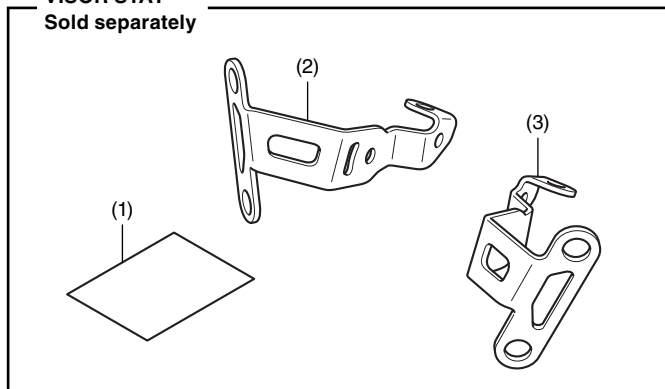
## PARTS LIST



No.	Description	Qty
(1)	Installation Instruction URL	1
(2)	Front visor	1
(3)	5 mm bolt	4
(4)	Washer (White)	4
(5)	Well nut	4
(6)	Washer (Black)	4

### VISOR STAY

Sold separately



No.	Description	Qty
(1)	Installation Instruction URL	1
(2)	Right visor stay	1
(3)	Left visor stay	1

## TOOLS AND SUPPLY REQUIRED

Hex wrench (3 mm)

Ruler

Torque wrench

## TORQUE CHART

Tighten all screws, bolts, and nuts to their specified torque values. Refer to the Service Manual for the torque values of the removed parts.

Item	N-m	kgf-m	lbf-ft
5 mm bolt	0.4	0.04	0.3

## INSTALLATION

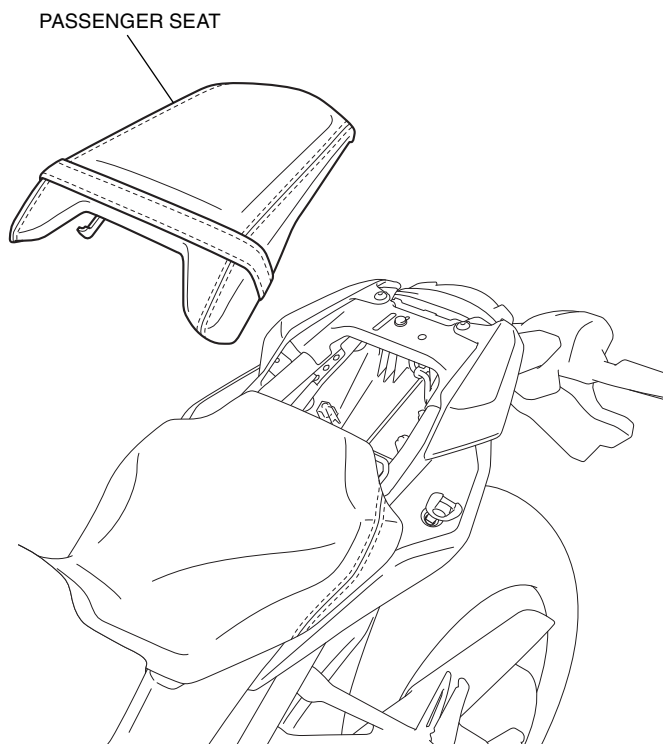
### ▲ CAUTION

- To prevent burns, allow the engine, exhaust system, radiator, etc., to cool before installing the accessory.

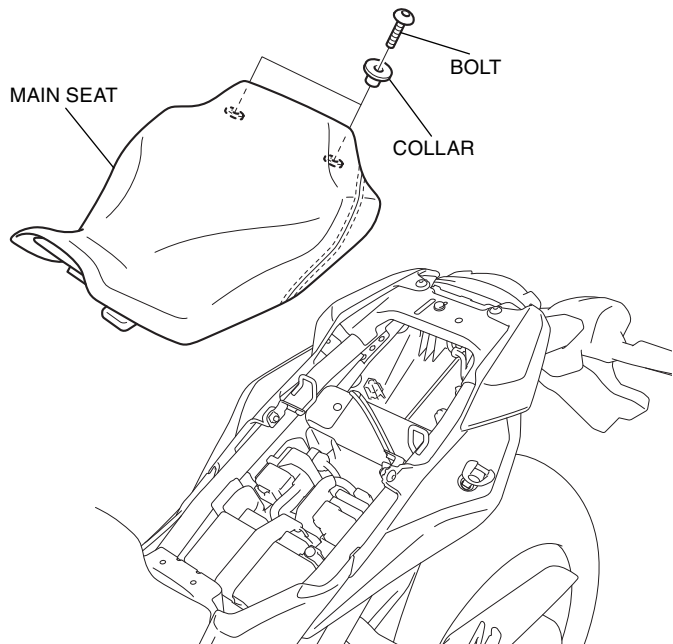
### NOTE:

- Disconnect the negative (-) cable from the battery before installing this accessory.
- The clock memory will be erased when you disconnect the battery. Reset the clock after reconnecting the battery.
- Reinstall the removed parts on the motorcycle and make sure that the wires and harnesses are not pinched.

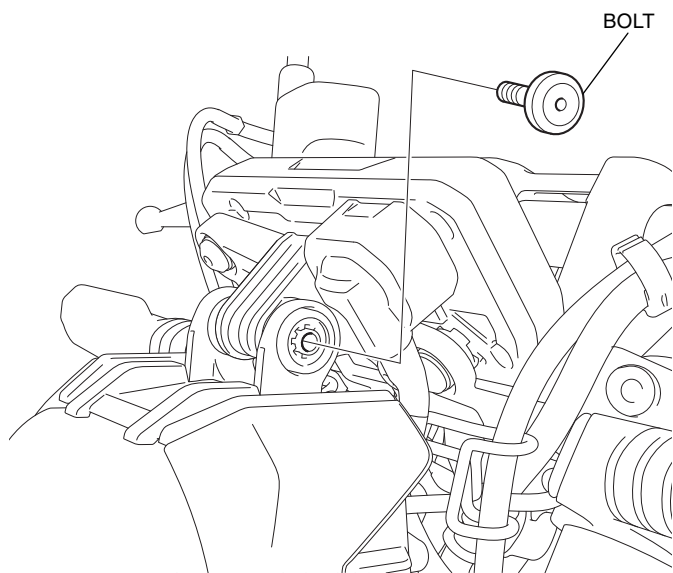
- Remove the passenger seat as shown.



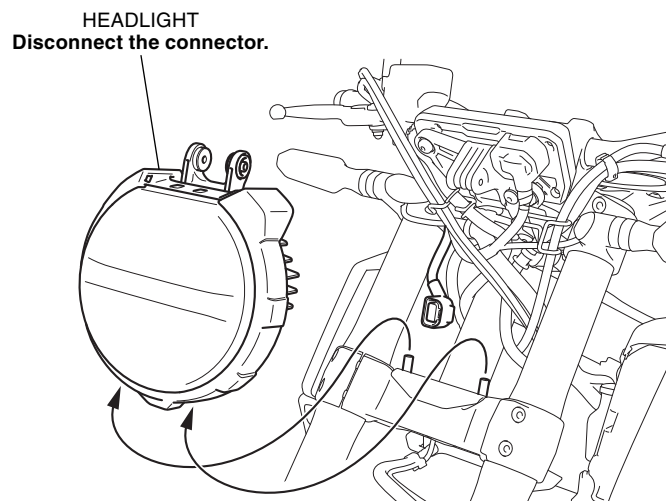
2. Remove the main seat and disconnect the negative (-) cable of the battery.



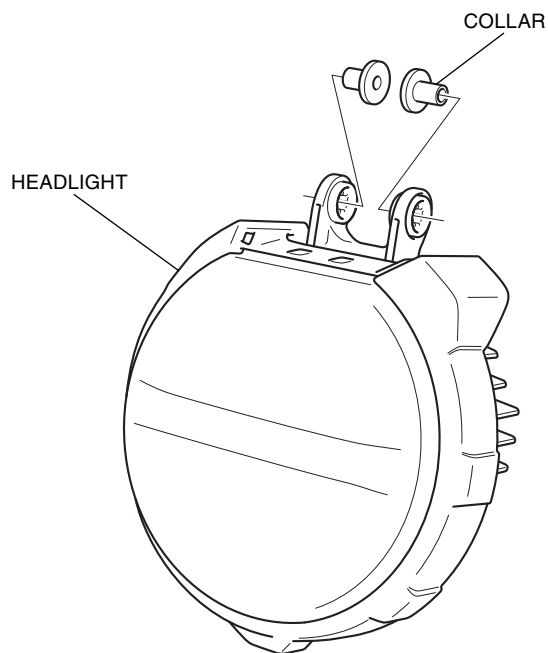
3. Remove the bolt as shown.  
• Repeat on the right side.  
<Left side>



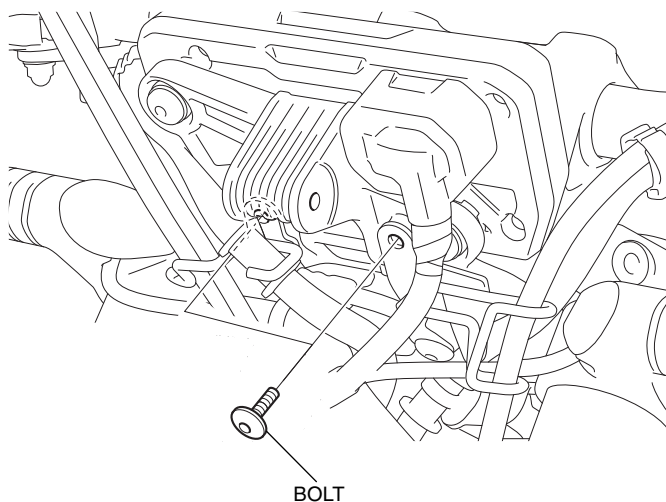
4. Remove the headlight as shown.



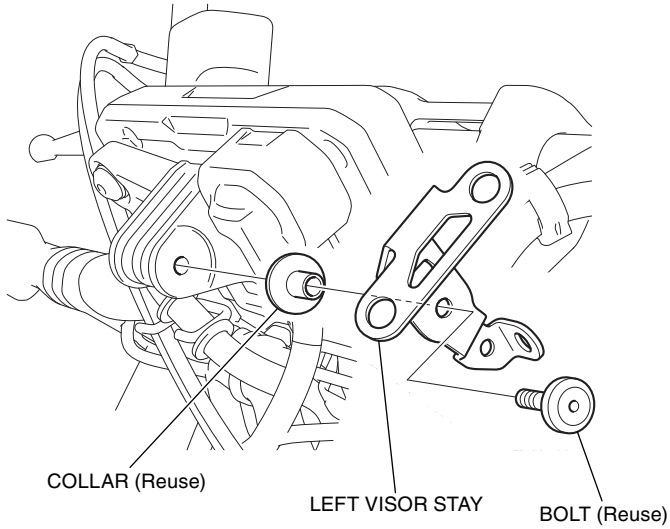
5. Remove the collars as shown.



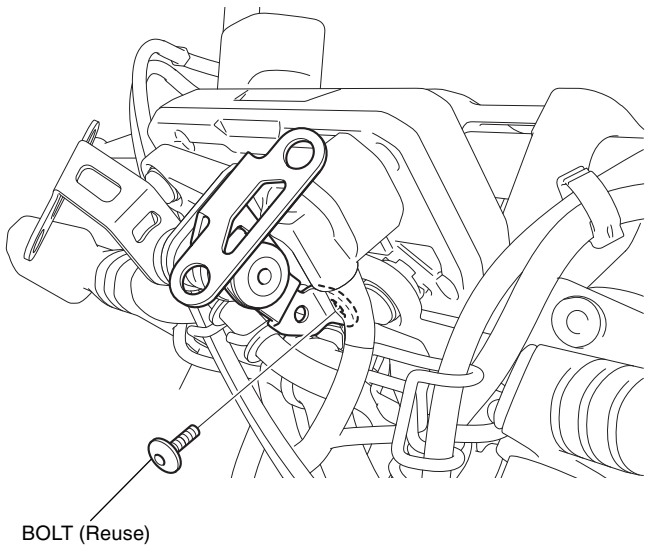
6. Remove the bolts as shown.



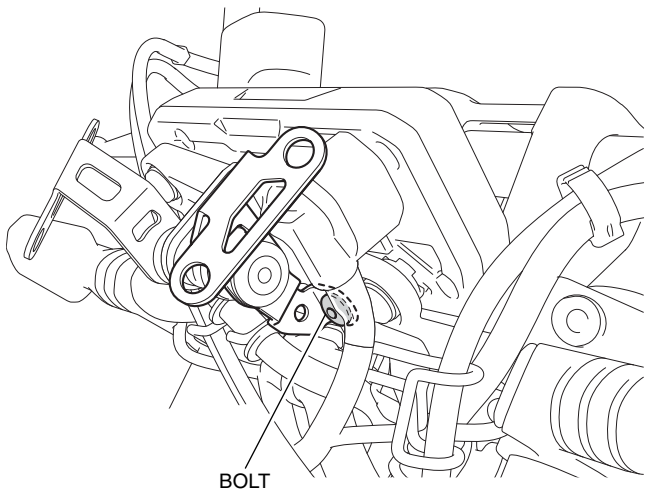
7. Loosely install the left visor stay as shown.
- Repeat on the right side.



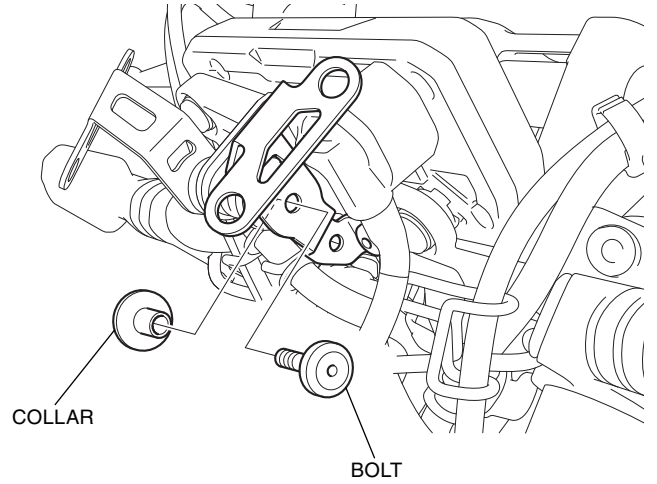
8. Loosely install the bolt as shown.
- Repeat on the right side.



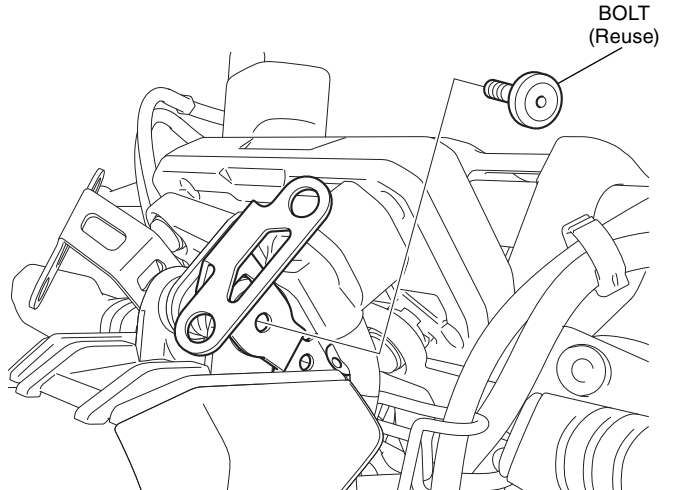
9. Securely tighten the bolt as shown.
- Repeat on the right side.



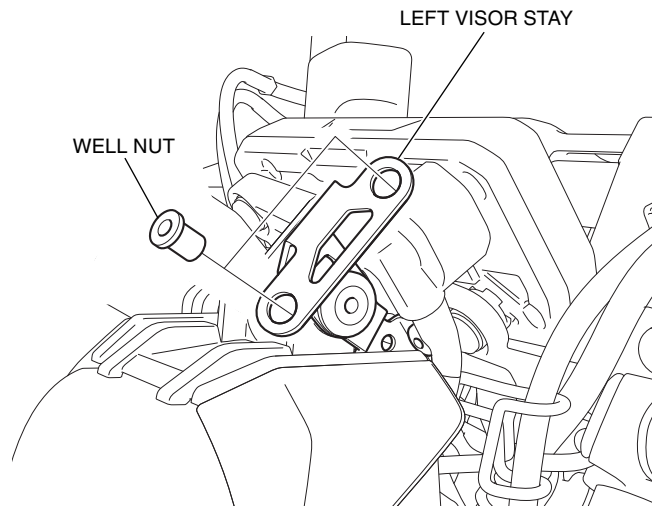
10. Remove the bolt and collar as shown.
- Repeat on the right side.



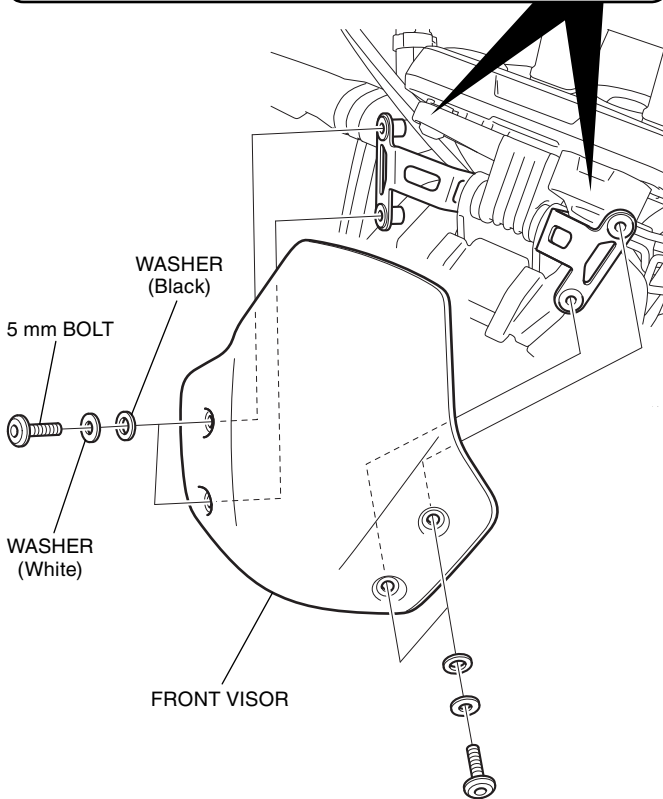
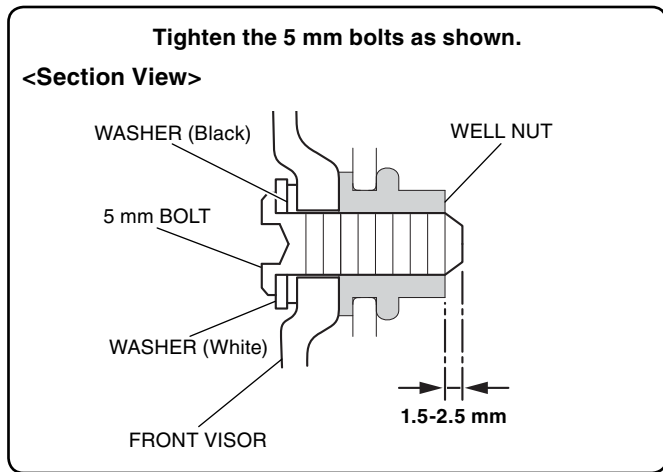
11. Install the collars to the headlight in the reverse order of removal.
12. Install the headlight in the reverse order of removal.
13. Install the bolt as shown.
- Repeat on the right side.



14. Install the well nuts as shown.
- Repeat on the right side.



15. Install the front visor as shown.



16. Install the motorcycle's parts in the reverse order of removal.

- **Confirm that any wire harness is not caught or too tight.**