

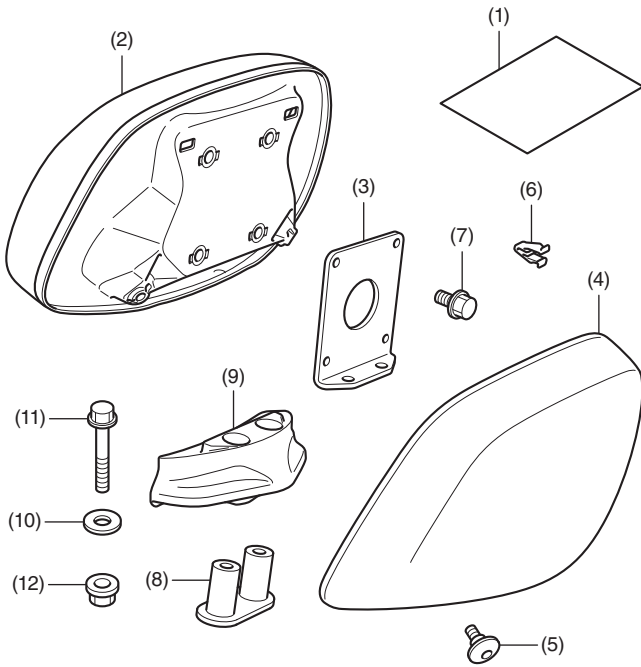
HONDA INSTALLATION INSTRUCTIONS

Accessory
BACKREST WITH PAD
 P/N 08R71-MJN-D00ZA
 P/N 08R71-MJN-D00ZC
 P/N 08R71-MJN-D00ZD

Application
CTX1300/D

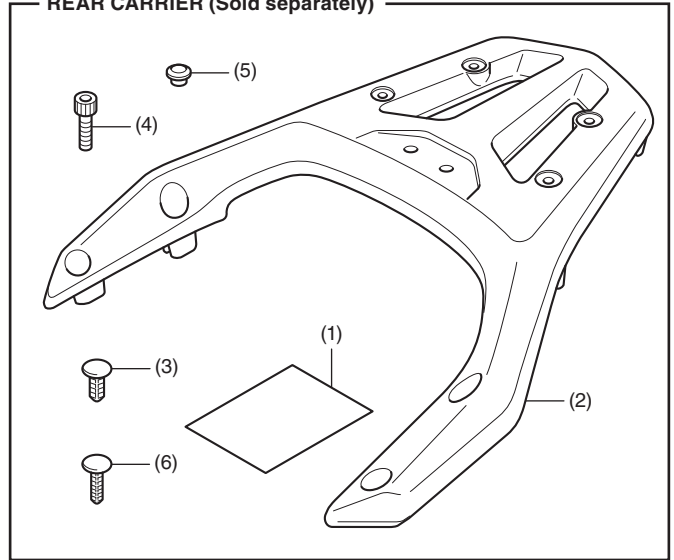
Publication No.
MII 14925
 Issue Date
Revised: October 2016

PARTS LIST



No.	Description	Qty
(1)	Installation Instructions URL	1
(2)	Backrest	1
(3)	Center backrest stay	1
(4)	Backrest cover	1
(5)	5 mm screw	2
(6)	Clip	2
(7)	6 mm flange bolt	4
(8)	Backrest stay	1
(9)	Backrest boot	1
(10)	Washer	2
(11)	8 mm flange bolt	2
(12)	8 mm flange nut	2

REAR CARRIER (Sold separately)



No.	Description	Qty
(1)	Installation Instructions URL	1
(2)	Rear carrier	1
(3)	Clip (wide) (Not used.)	2
(4)	8 mm socket bolt	4
(5)	Cap	4
(6)	Clip (narrow)	4

TOOLS REQUIRED

- Socket (10 and 12 mm)
- Ratchet
- Box-end wrench (12 mm)
- Hex wrench (5 and 8 mm)
- Torque wrench

TORQUE CHART

Tighten all screws, bolts, and nuts to their specified torque values. Refer to the Service Manual for the torque values of the removed parts.

Item	N·m	kgf·m	lbf·ft
5 mm screw	4.2	0.4	3.1
6 mm flange bolt	12	1.2	9
8 mm socket bolt	34	3.5	25
8 mm flange nut	27	2.8	20

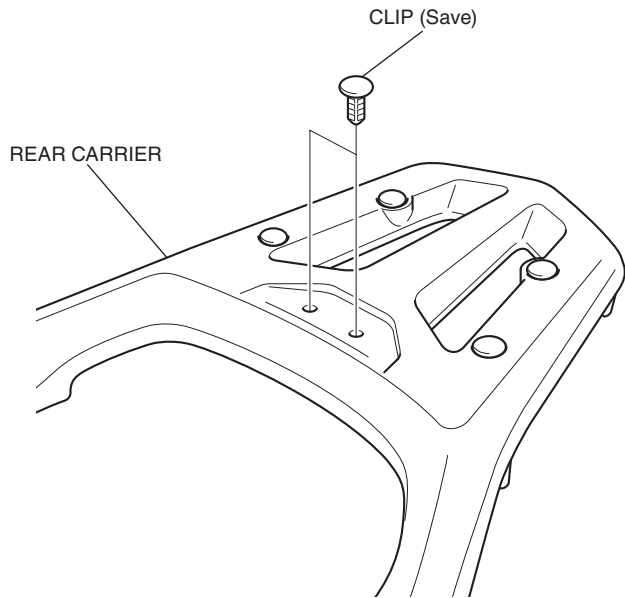
INSTALLATION

NOTE:

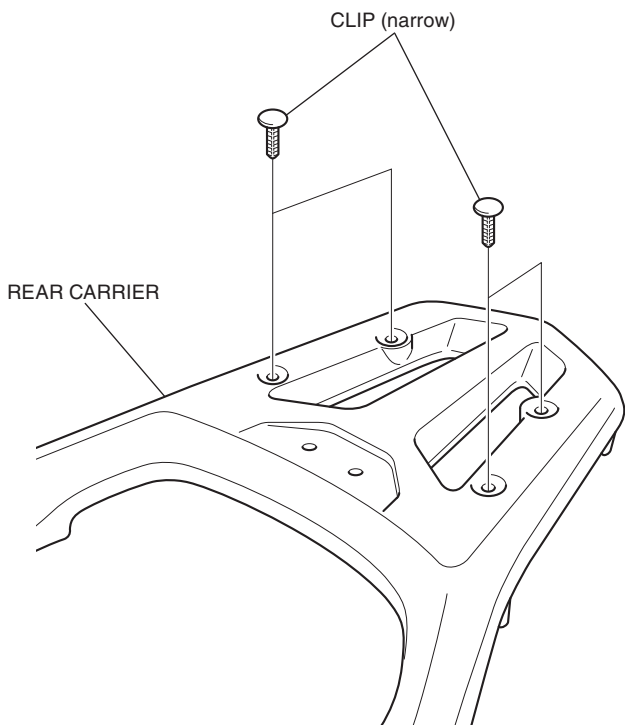
- The Rear Carrier is required for installation of this accessory.
- If already installed on the motorcycle, remove the rear carrier before attaching this accessory.

1. Remove the clips as shown.

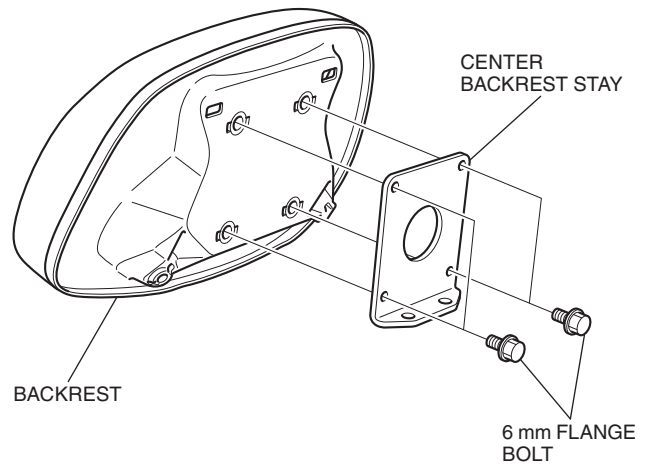
- **Perform this step only if the Rear Carrier is already installed.**



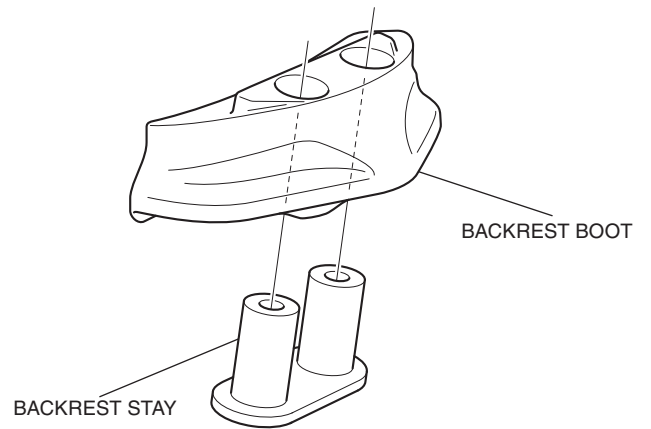
2. Install the clips as shown.



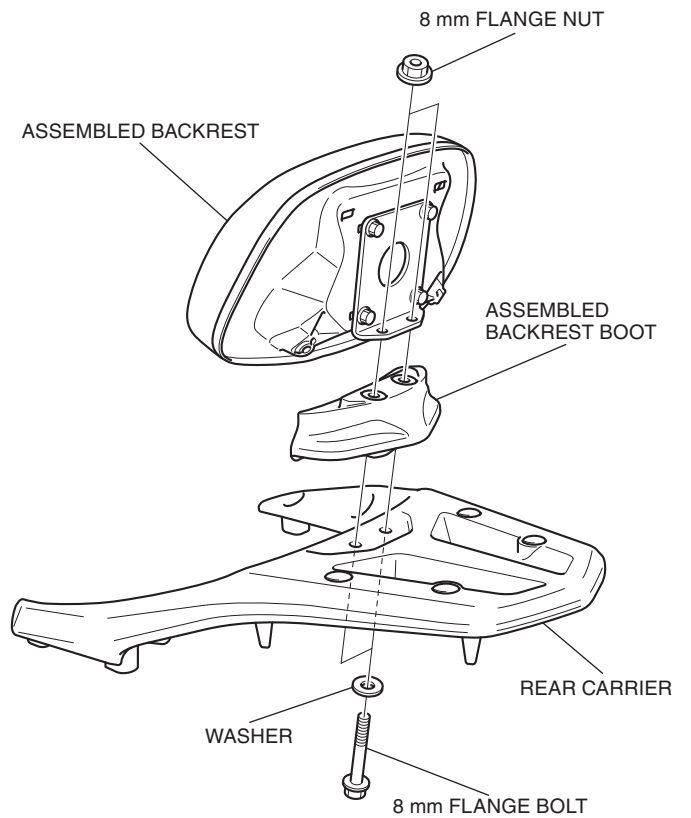
3. Install the center backrest stay as shown.



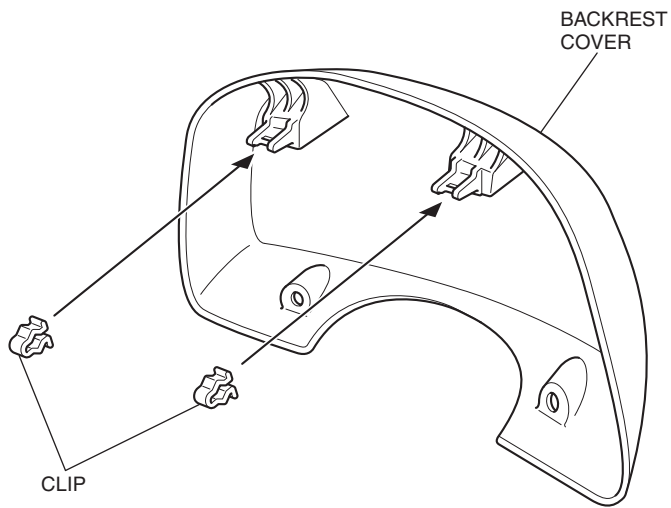
4. Preassemble the backrest stay and backrest boot as shown.



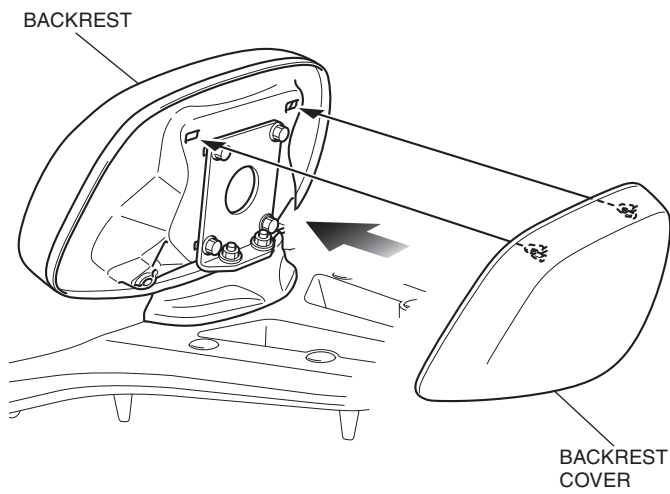
5. Install the assembled backrest as shown.



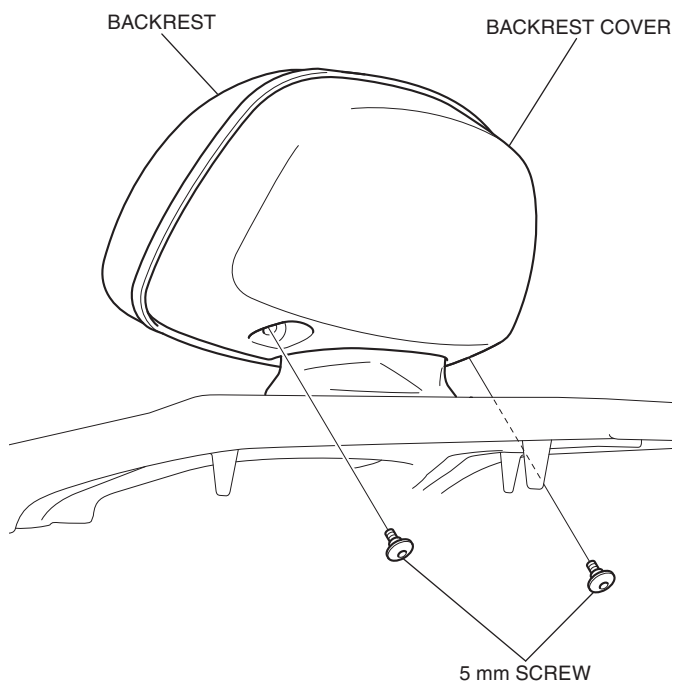
6. Install the clips as shown.



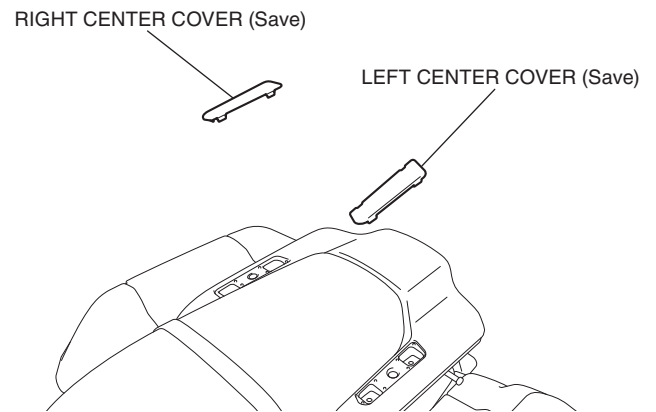
7. Install the backrest cover as shown.



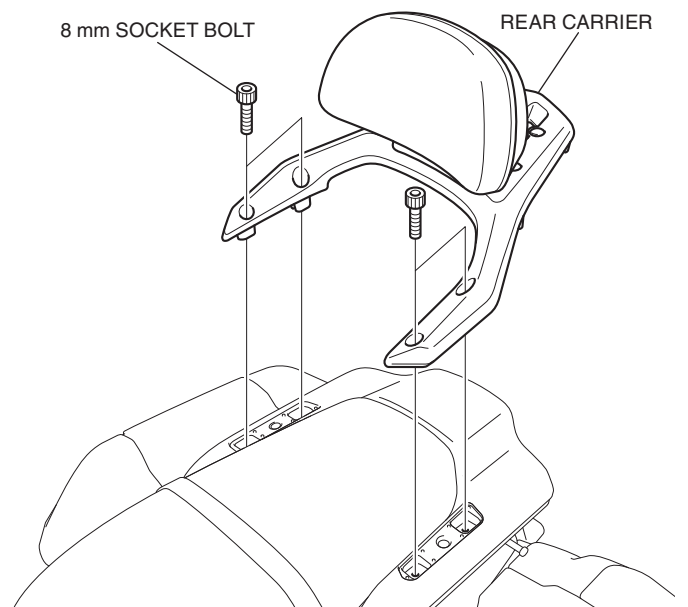
8. Secure the backrest cover as shown.



9. Remove the left and right center covers as shown.



10. Install the rear carrier as shown.



11. Install the caps as shown.

