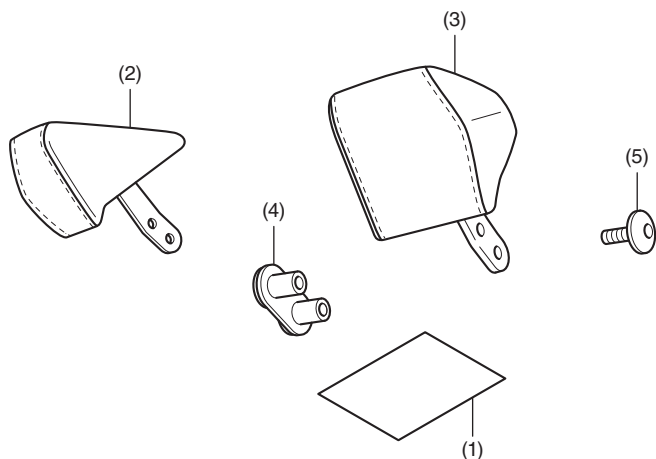


Accessory	Application	Publication No.
PASSENGER ARMREST P/N 08R70-MKC-A00ZA	GL1800/D/DA GL1800B/BD	MII 16426
		Issue Date January 2018

Honda Dealer: Please give a copy of these instructions to your customer.

PARTS LIST



No.	Description	Qty
(1)	Installation instructions URL	1
(2)	Right armrest cushion	1
(3)	Left armrest cushion	1
(4)	Plate nut	2
(5)	6 mm screw	4

TOOLS REQUIRED

Hex wrench (5 mm)
Torque wrench

TORQUE CHART

Tighten all screws, bolts, and nuts to their specified torque values. Refer to the Service Manual for the torque values of the removed parts.

Item	N·m	kgf·m	lbf·ft
6 mm screw	9	0.9	6.5

INSTALLATION

▲ CAUTION

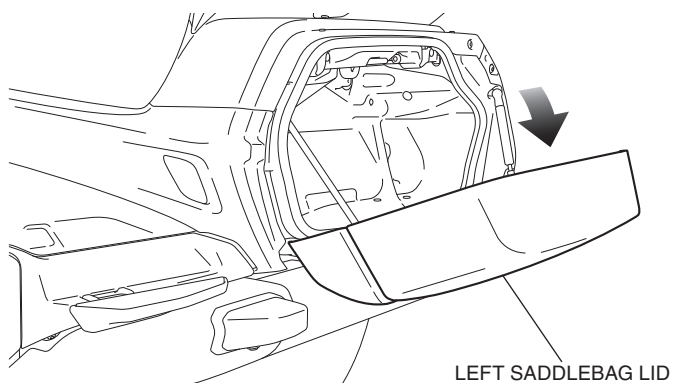
- To prevent burns, allow the engine, exhaust system, radiator, etc., to cool before installing the accessory.

NOTE:

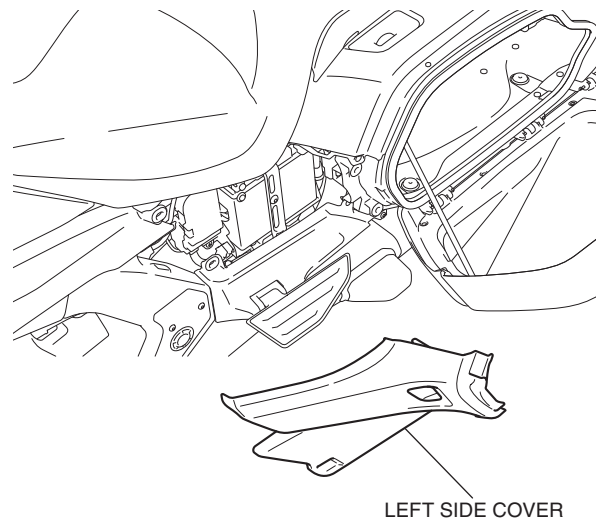
- Disconnect the negative (-) cable from the battery before installing this accessory.
- The clock memory will be erased when you disconnect the battery. Reset the memories after reconnecting the battery.
- Reinstall the removed parts on the motorcycle and make sure that the wires and harnesses are not pinched.

- Open the left saddlebag lid as shown.

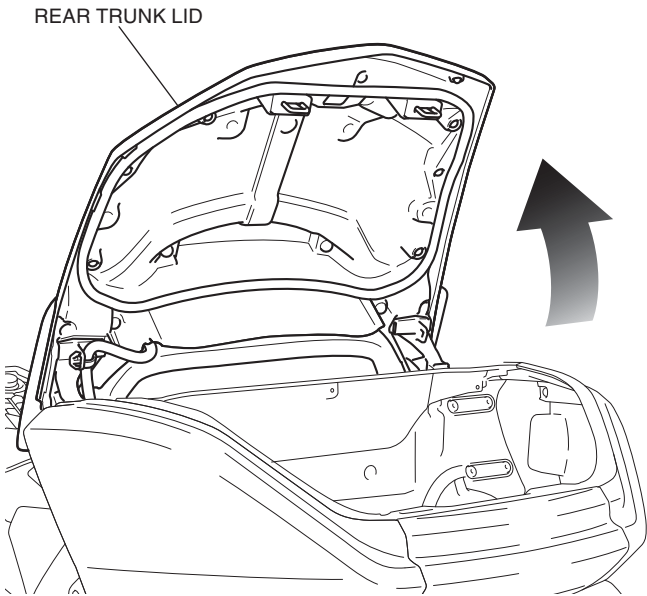
<Left side>



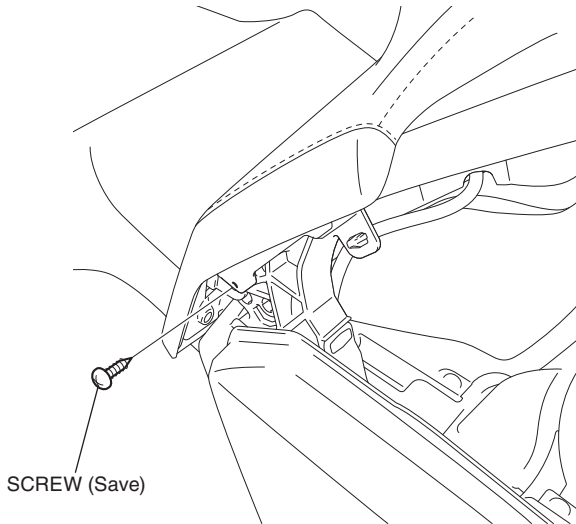
- Remove the left side cover as shown, and disconnect the negative (-) cable of the battery.



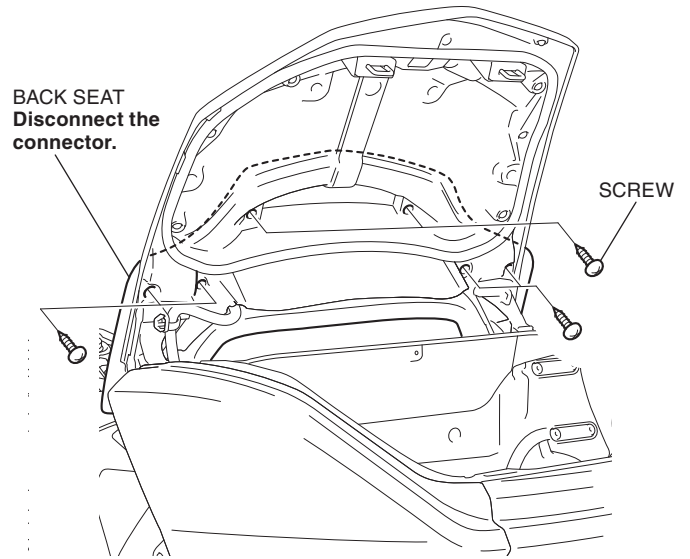
3. Open the rear trunk lid as shown.
- Refer to the Owner's Manual and use the emergency trunk cable to open the rear trunk lid.



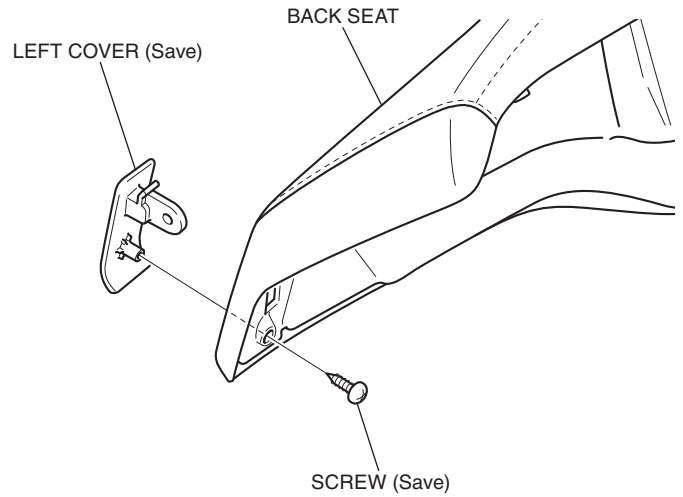
4. Remove the screw as shown.
- Repeat on the right side.
- <Left side>



5. Remove the back seat as shown.

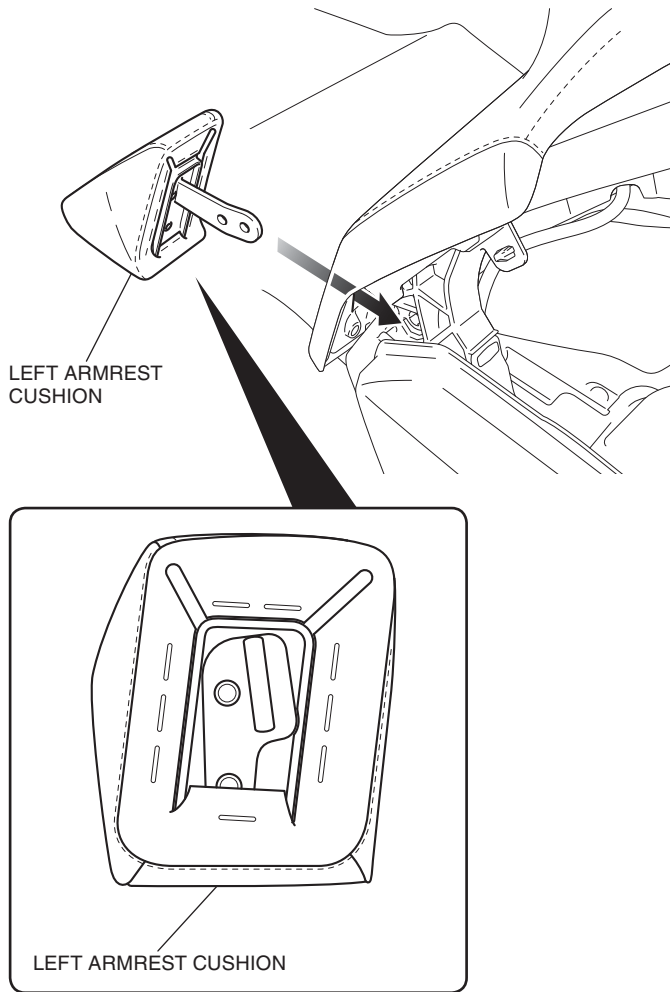


6. Remove the left cover as shown.
- Repeat on the right side.

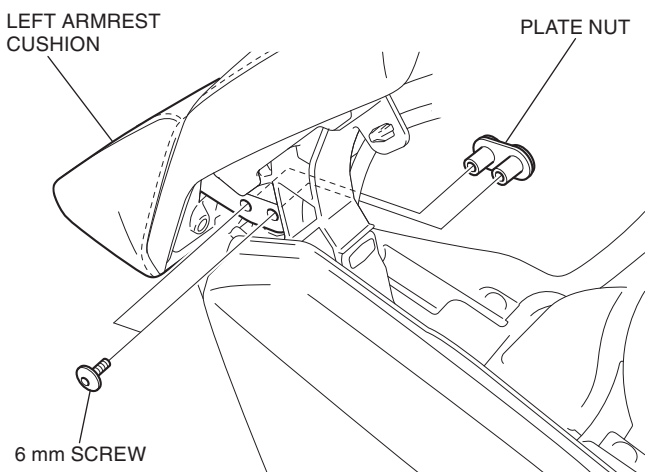


7. Install the back seat reverse order of removal.
8. Install the left armrest cushion as shown.
 - **Align the stitching of back seat and left armrest cushion.**

<Left side>



9. Install the plate nut as shown.



10. Install the right armrest cushion in the same manner as the left side.
11. Install the motorcycle's parts in the reverse order of removal.
 - **Confirm that any wire harness is not caught or too tight.**