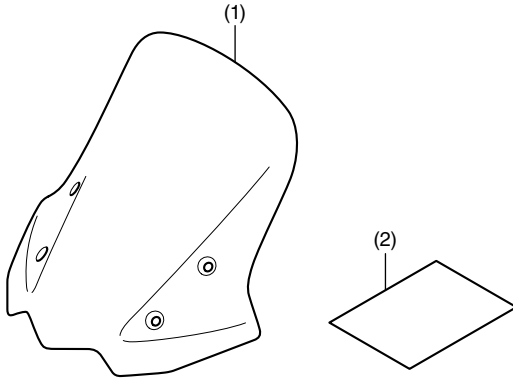


PARTS LIST



No.	Description	Qty
(1)	Tall windscreen	1
(2)	Installation Instruction URL	1

TORQUE INFORMATION

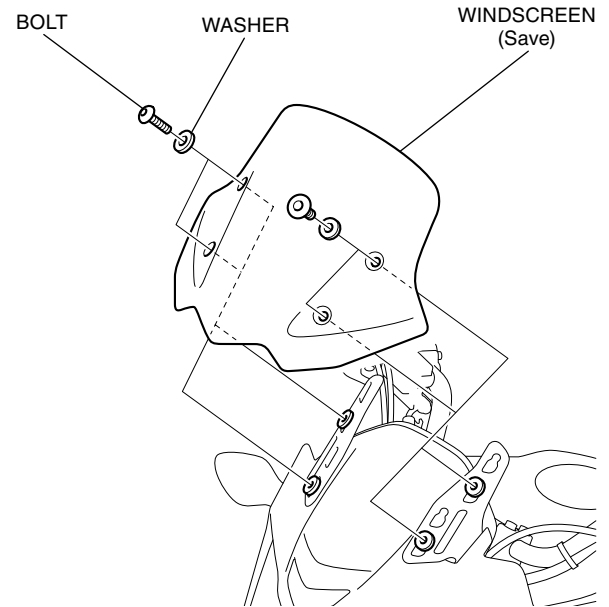
Refer to the Service Manual for the torque values of the removed parts.

INSTALLATION

NOTE:

- Take care not to damage the painted surfaces of the motorcycle.

- Refer to the Service Manual for the motorcycle, remove the windscreen.



- Install the tall windscreen as shown.

