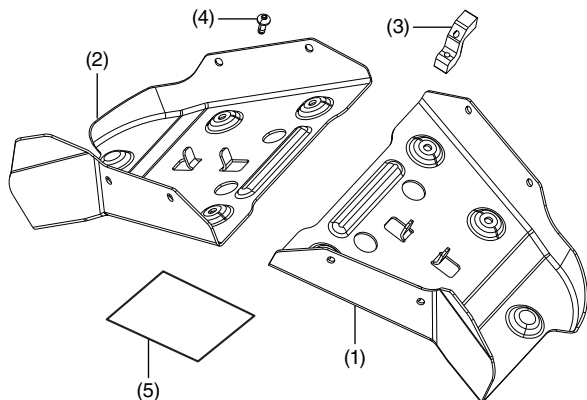


Honda Dealer: Please give a copy of these instructions to your customer.

PARTS LIST



No.	Description	Qty
(1)	Right rear guard	1
(2)	Left rear guard	1
(3)	Rear guard bracket	8
(4)	8 mm socket bolt	16
(5)	Installation Instruction URL	1

TOOLS REQUIRED

Hex wrench (6 mm)
 Torque wrench

TORQUE CHART

Tighten all screws, bolts, and nuts to their specified torque values. Refer to the Service Manual for the torque values of the removed parts.

Item	N-m	kgf-m	lbf-ft
8 mm socket bolt	26	2.6	19

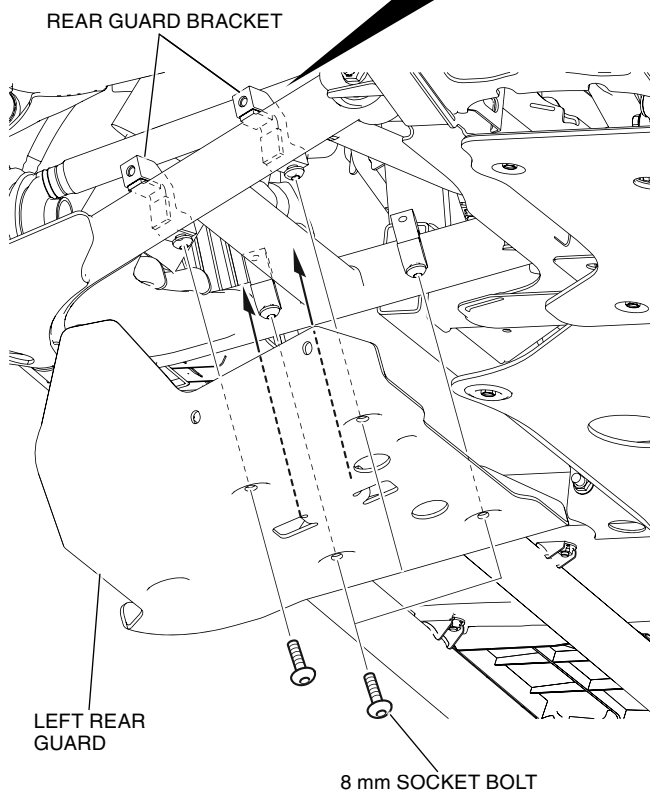
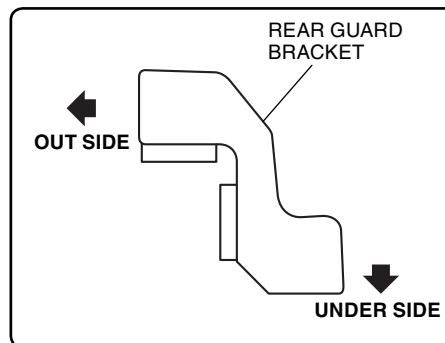
INSTALLATION

▲ CAUTION

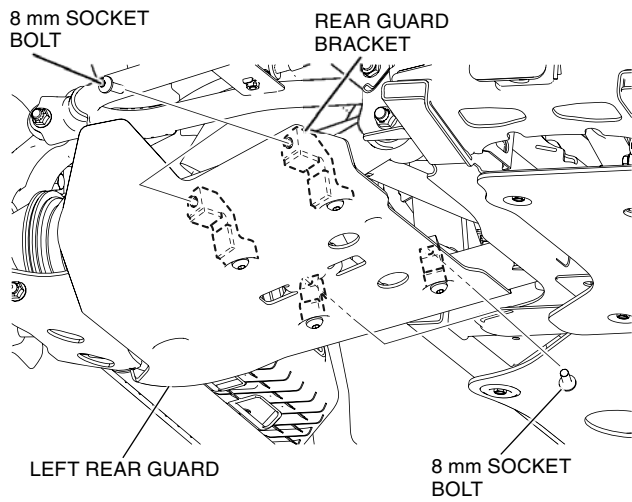
- To prevent burns, allow the engine, exhaust system, radiator, etc., to cool before installing the accessory.

- Loosely install the four guard brackets, four 8 mm socket bolts, and left rear guard as shown.

<Left side>

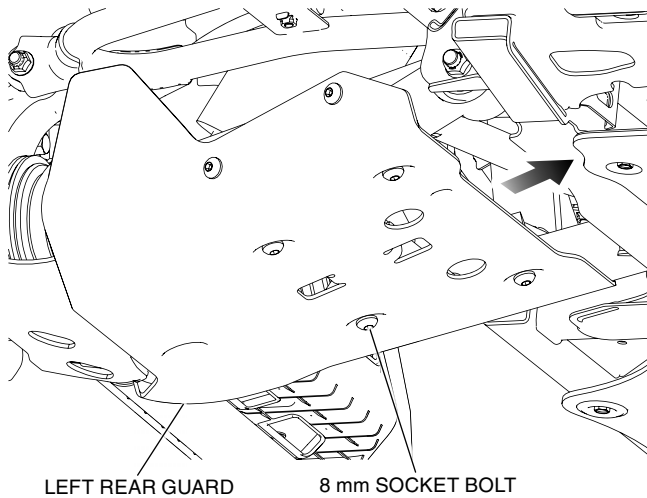


2. Loosely install the four 8 mm socket bolts as shown.



3. Tighten the assembled 8 mm socket bolts while moving the left rear guard inboard as shown.

- **Make sure to move the guard in the direction shown until it stops and then tighten the bolts.**



4. Repeat Steps 1 through 3 on the right side.