



# INSTALLATION INSTRUCTIONS

Accessory

FRAME SLIDER  
P/N 08P71-MKR-D10

Application

CBR1000ST/SP

Publication No.

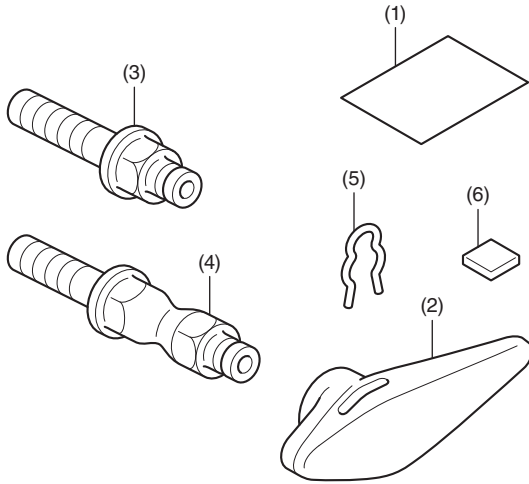
MII 17468

Issue Date

September 2020

**Honda Dealer: Please give a copy of these instructions to your customer.**

## PARTS LIST



No.	Description	Qty
(1)	Installation Instructions URL	1
(2)	Frame slider	2
(3)	12 mm flange bolt (12 x 45 mm)	1
(4)	12 mm flange bolt (12 x 50 mm)	1
(5)	10 mm snap retainer	2
(6)	Rubber cushion	2

## TOOLS AND SUPPLIES REQUIRED

Socket (17 mm)

Ratchet

Isopropyl alcohol

Shop towel

Torque wrench

## TORQUE INFORMATION

Tighten all screws, bolts, and nuts to their specified torque values. Refer to the Service Manual for the torque values of the removed parts.

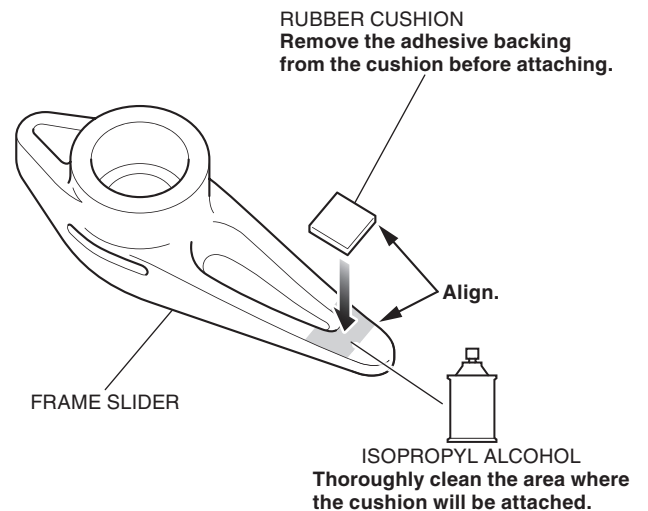
Item	N·m	kgf·m	lbf·ft
12 mm flange bolt	79	8.1	58

## INSTALLATION

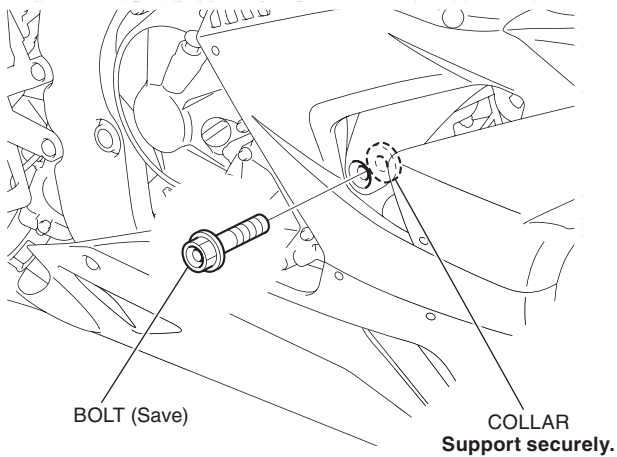
### NOTE:

- Heat the bonding surfaces with a hair dryer if the ambient air temperature is below 21°C (70°F).
- The adhesive reaches full strength in 72 hours. Wait at least 24 hours before riding your motorcycle.
- Take care not to damage the painted surfaces of the motorcycle.
- **Illustration shows CBR1000ST type, another type is similar.**

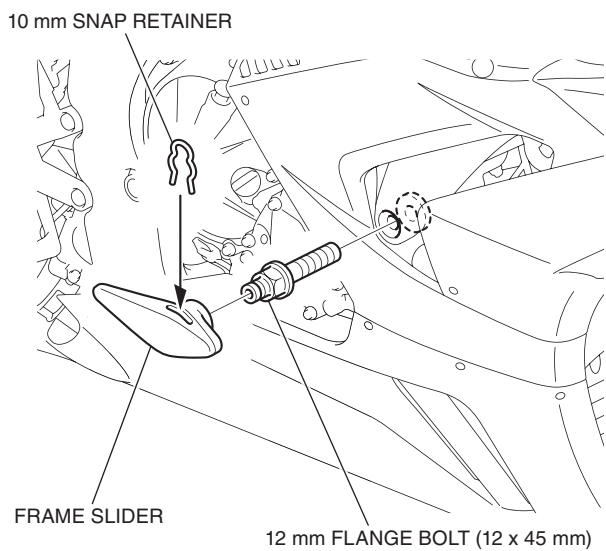
1. Install the rubber cushion as shown.
  - **Perform this step on all frame sliders.**
  - **Be careful not to protrude the cushion from the frame slider.**



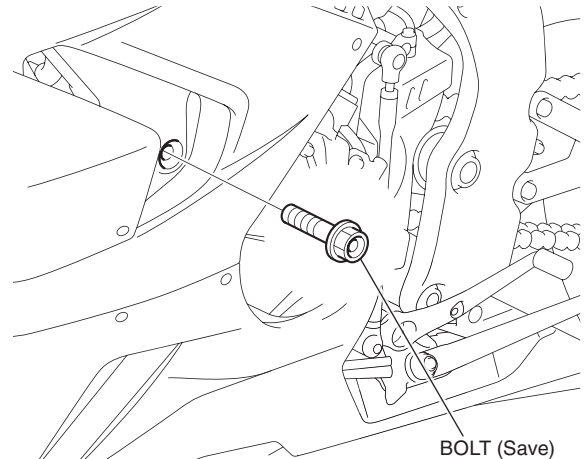
2. Refer to the Service Manual for the motorcycle, remove the motorcycle parts.



3. Install the right frame slider as shown.
- For easy retainer installation, align the bolt groove with the frame slider slit.



4. Refer to the Service Manual for the motorcycle, remove the motorcycle parts.



5. Install the left frame slider as shown.
- For easy retainer installation, align the bolt groove with the frame slider slit.

