



INSTALLATION INSTRUCTIONS

Accessory

SIDE TANK PADS
P/N 08P71-K87-A30

Application

After '19
CMX300/A
CMX500/A

Publication No.

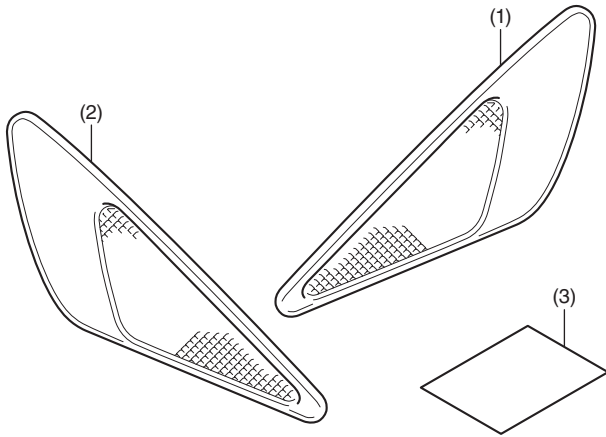
MII 17465

Issue Date

March 2020

Honda Dealer: Please give a copy of these instructions to your customer.

PARTS LIST



No.	Description	Qty
(1)	Right side tank pad	1
(2)	Left side tank pad	1
(3)	URL paper	1

SUPPLIES REQUIRED

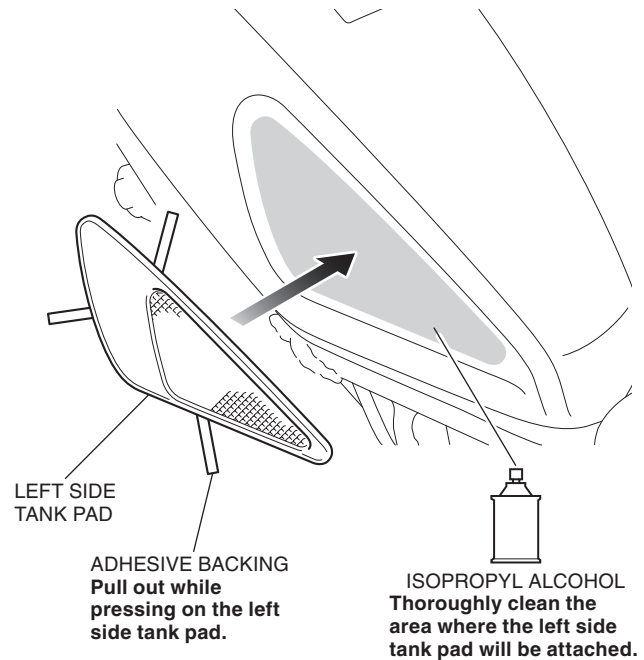
Isopropyl alcohol
Shop towel

INSTALLATION

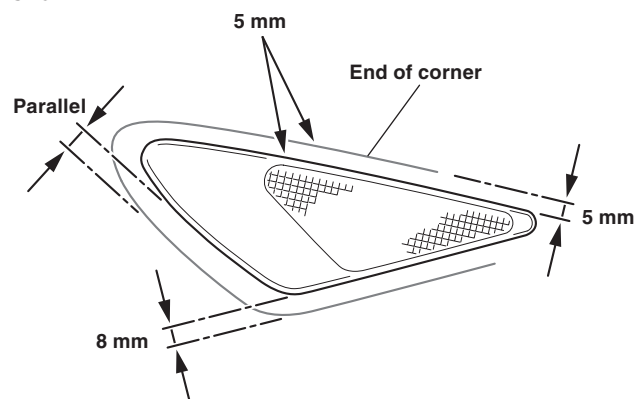
NOTE:

- Heat the bonding surfaces with a hair dryer if the ambient air temperature is below 21°C (70°F).
- The adhesive reaches full strength in 72 hours. Wait at least 24 hours before riding your motorcycle.

1. Attach the left side tank pad as shown.
 - Peel back an end of the adhesive backings on the back of the left side tank pad.



Attach the left side tank pad using the dimensions shown.



2. Apply adequate pressure to the attached left side tank pad.
3. Use Steps 1 and 2 to install the right side tank pad in the same manner.