

# INSTALLATION INSTRUCTIONS

Accessory

A-ARM GUARD (REAR)  
P/N 08P71-HL5-A00

Application

SXS500M2

Publication No.

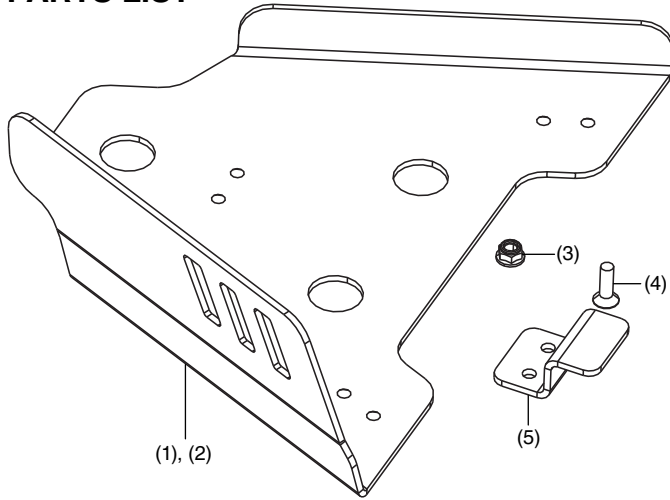
MII 14948

Issue Date

June 2014

**Honda Dealer: Please give a copy of these instructions to your customer.**

## PARTS LIST



No.	Description	Qty
(1)	Rear left arm guard	1
(2)	Rear right arm guard	1
(3)	6 mm U nut	12
(4)	6 x 20 mm flat head screw	12
(5)	Bracket	6

## TOOLS AND SUPPLIES REQUIRED

Torque Wrench  
10 mm Socket  
Phillips Screwdriver  
Ratchet

## TORQUE CHART

Tighten all screws, bolts, and nuts to their specified torque values. Refer to the Service Manual for the torque values of the removed parts.

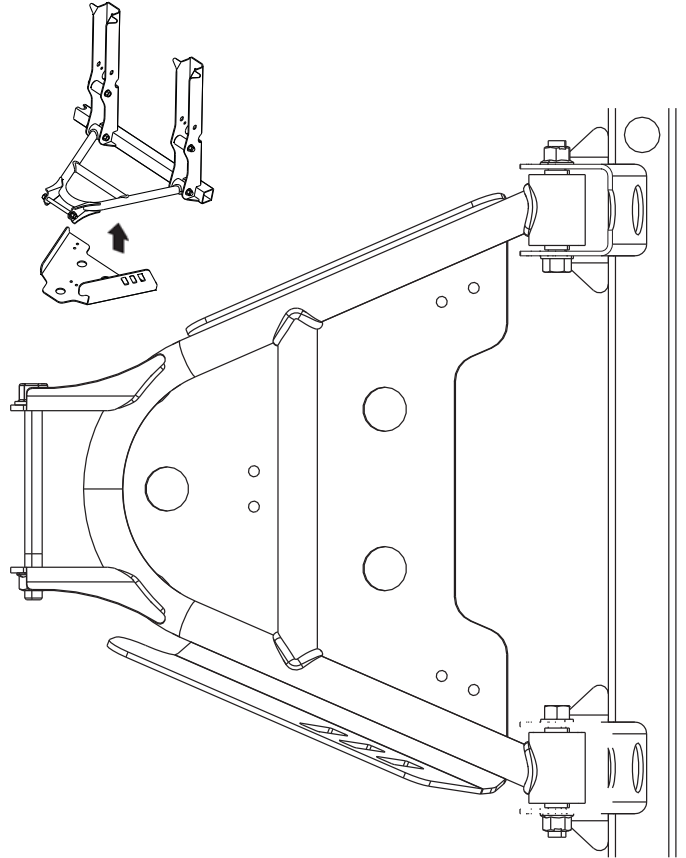
Item	N·m	kgf·m	lbf·ft
6 mm U Nut	10	1	7

## USE AND CARE INFORMATION

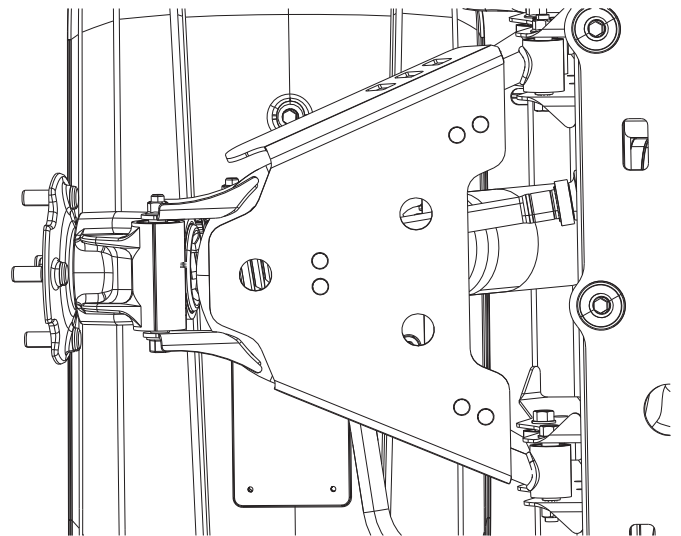
Check the accessory mounts frequently and retighten if necessary.

## INSTALLATION

- Align the A-arm guard with the A-arm as shown.

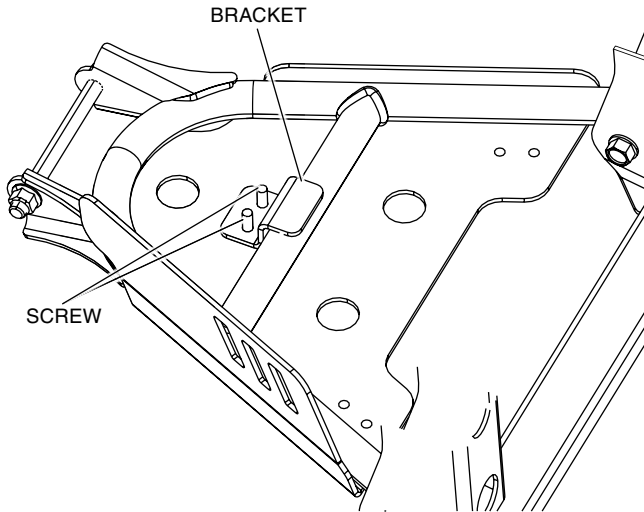


- Place A-arm guard along rear left A-Arm as shown.

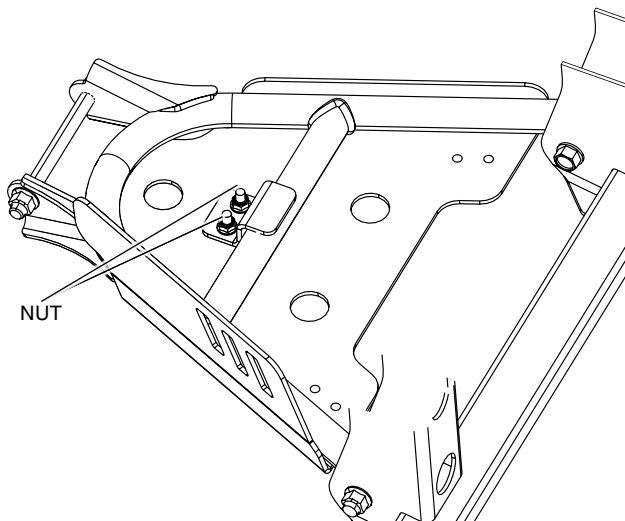


VEHICLE FRONT

3. Insert two screws through the countersunk holes in the guard and assemble the bracket as shown.

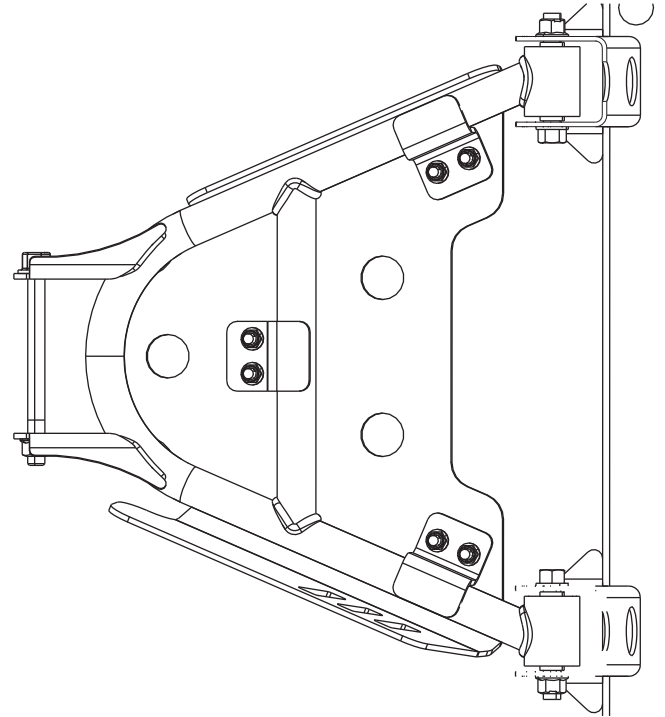


4. Thread a nut onto each screw and tighten until the bracket loosely contacts the guard.



5. Repeat Steps 2 through 4 for the remaining two brackets.

6. Once all the brackets are loosely installed, align the position of the guard as shown. Tighten the hardware to the value specified in the Torque Chart.



7. Repeat Steps 1 through 6 for installing the guard on the rear right A-arm.