



INSTALLATION INSTRUCTIONS

Accessory

REAR BUMPER (3P)
P/N 08P70-HL4-A50

Application

SXS1000M3/M3P

Publication No.

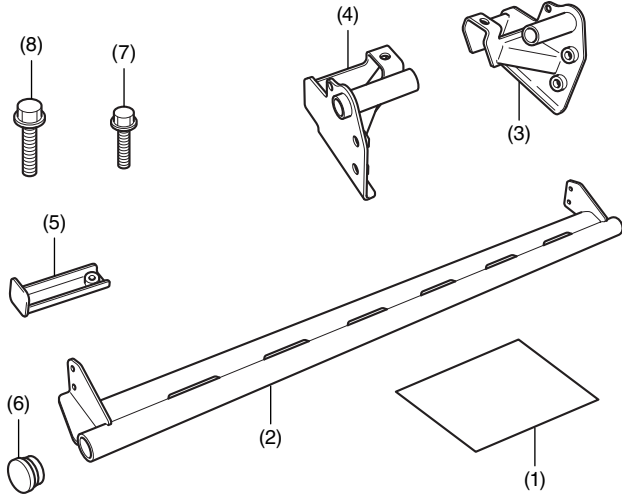
MII 15262

Issue Date

September 2015

Honda Dealer: Please give a copy of these instructions to your customer.

PARTS LIST



No.	Description	Qty
(1)	Installation Instructions URL	1
(2)	Rear bumper	1
(3)	Right hinge bracket	1
(4)	Left hinge bracket	1
(5)	Plate nut	2
(6)	Pipe end cap	2
(7)	6 mm flange bolt	2
(8)	8 mm flange bolt	6

TOOLS REQUIRED

Socket (10 and 12 mm)

Ratchet

Box-end wrench (10 mm)

Torque wrench

TORQUE CHART

Tighten all screws, bolts, and nuts to their specified torque values. Refer to the Service Manual for the torque values of the removed parts.

Item	N·m	kgf·m	lbf·ft
6 mm flange bolt	12	1.2	9
8 mm flange bolt	27	2.8	20

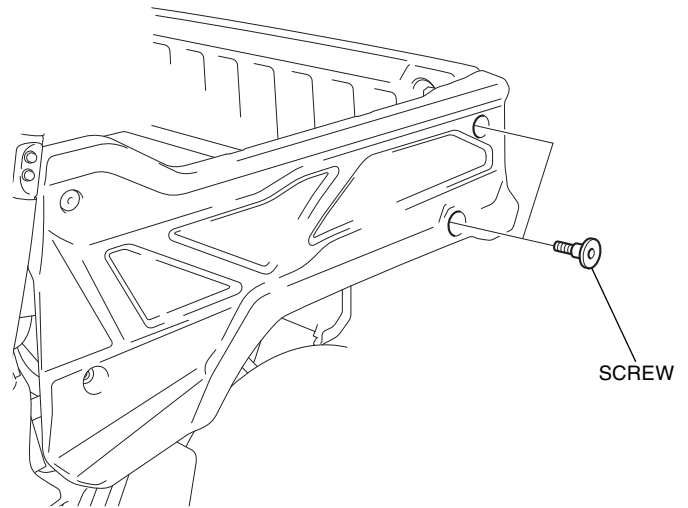
INSTALLATION

▲ CAUTION

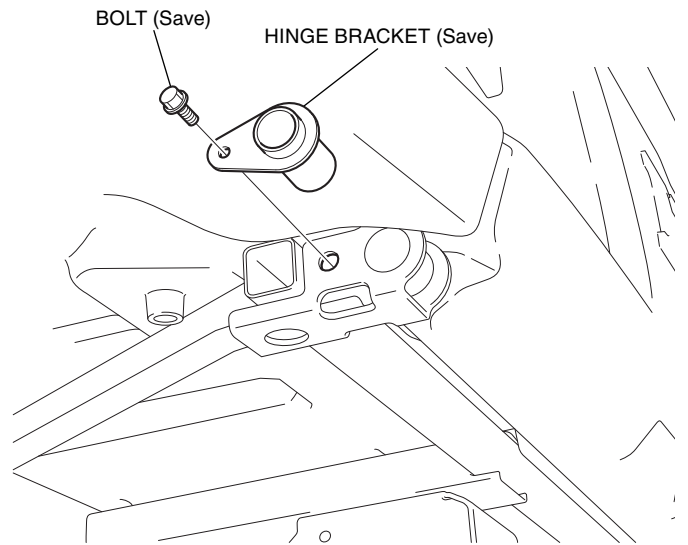
- To prevent burns, allow the engine, exhaust system, radiator, etc., to cool before installing the accessory.

1. Remove the screws as shown.

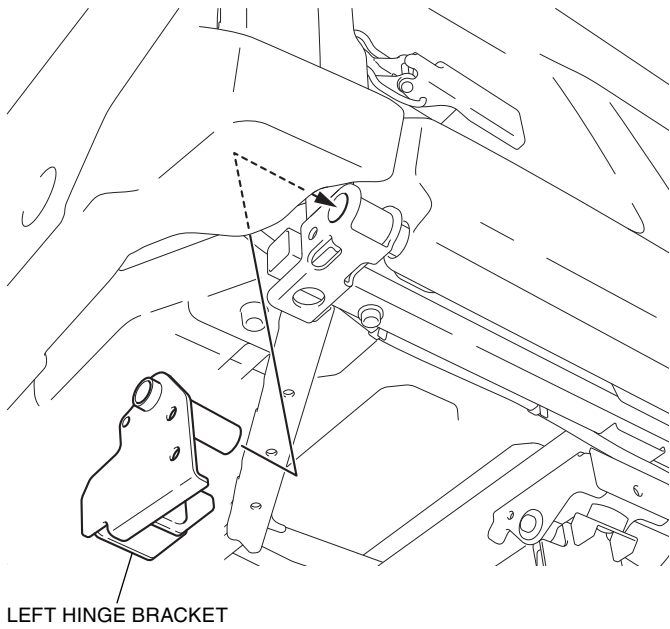
<Left side>



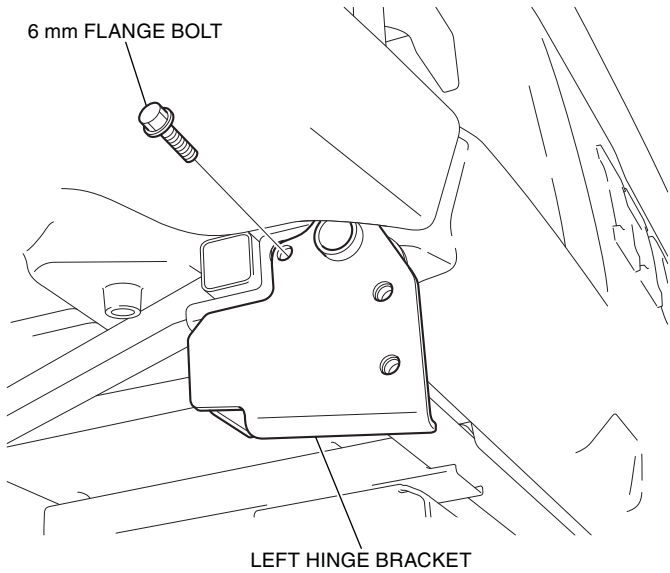
2. Remove the hinge bracket as shown.



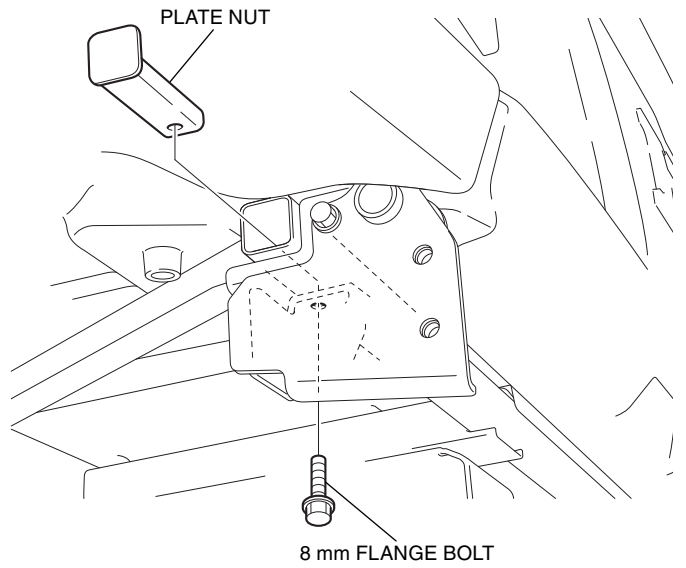
3. Install the left hinge bracket as shown.



4. Loosely install the 6 mm flange bolt as shown.



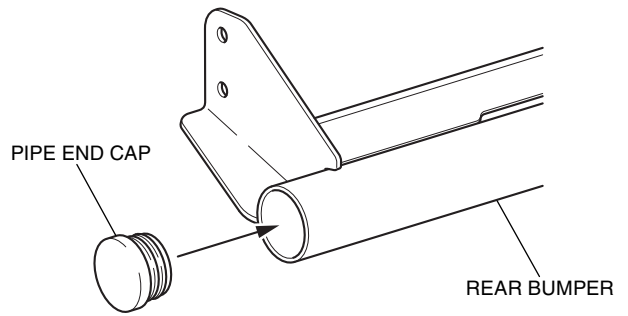
5. Loosely install the plate nut as shown.



6. Repeat Steps 1 through 5 on the right side.

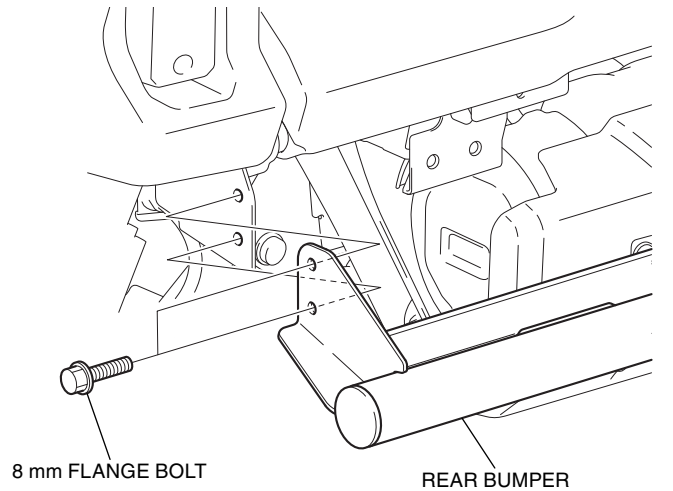
7. Attach the pipe end cap to the rear bumper as shown.

- **Repeat on the right side.**



8. Loosely install the rear bumper as shown.

- **Repeat on the right side.**



9. Tighten the loosely installed parts to the values specified in the Torque Chart.

10. Install the screws in the reverse order of removal.