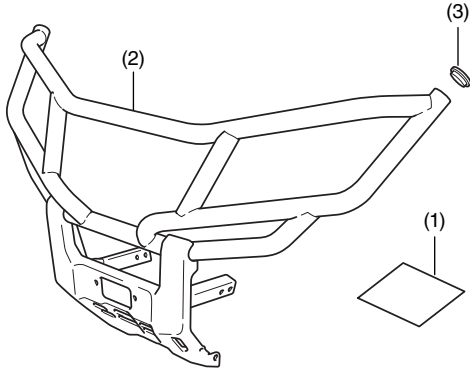


Honda Dealer: Please give a copy of these instructions to your customer.

PARTS LIST



No.	Description	Qty
(1)	Installation Instruction URL	1
(2)	Front bumper	1
(3)	Cap	2

TORQUE CHART

Tighten all screws, bolts, and nuts to their specified torque values.

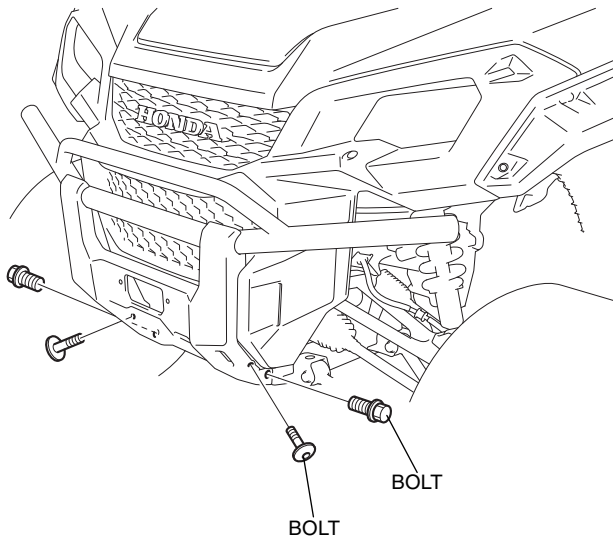
Item	N·m	kgf·m	lbf·ft
6 mm socket screw	4.2	0.4	3.1
8 mm flange bolt	22	2.2	16
10 mm flange bolt	34	3.5	25

INSTALLATION

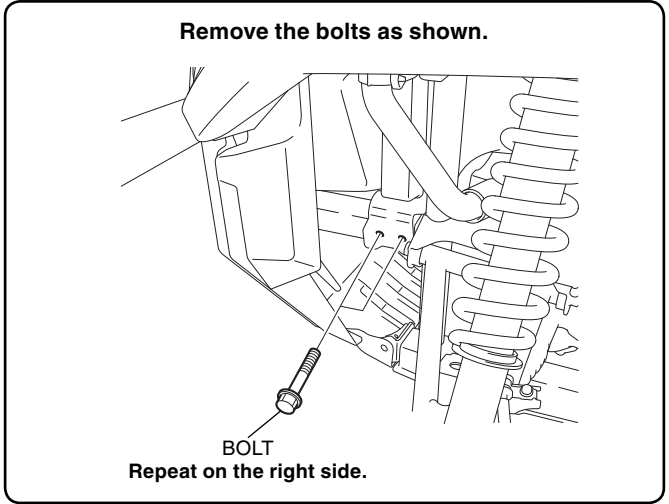
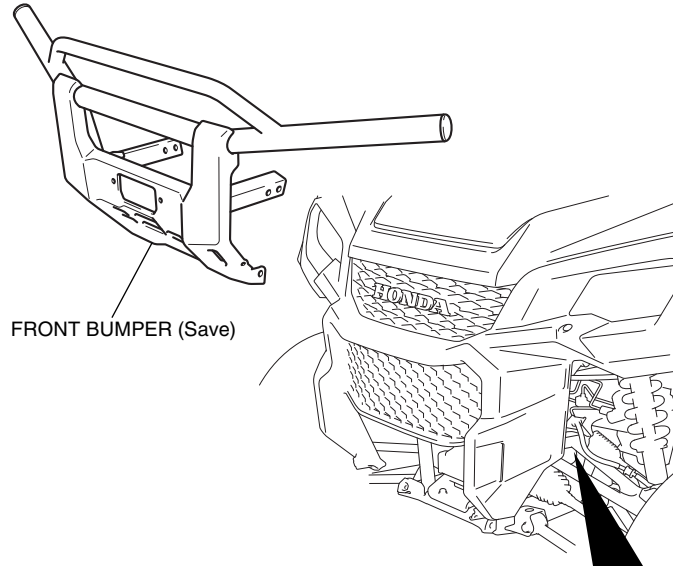
CAUTION

- To prevent burns, allow the engine, exhaust system, radiator, etc., to cool before installing the accessory.

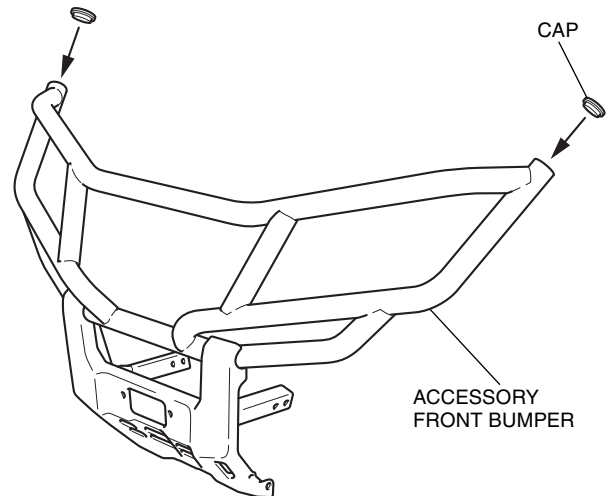
1. Remove the vehicle's parts as shown.



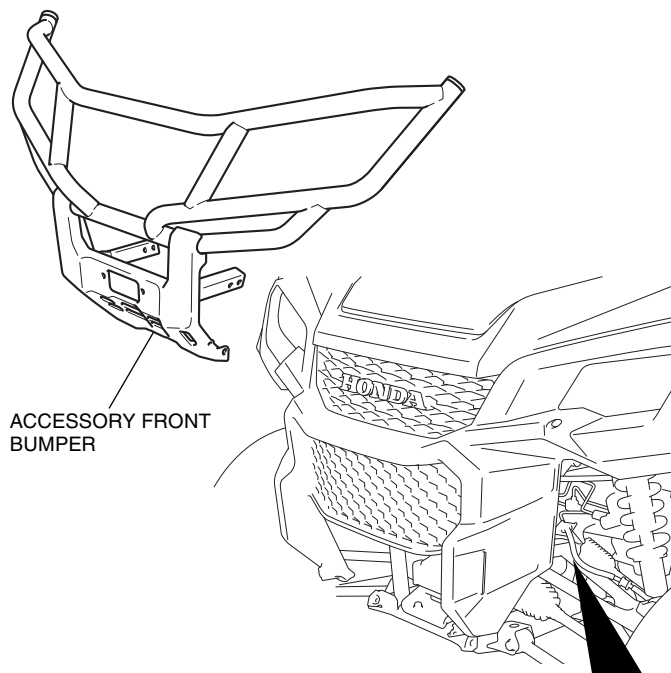
2. Remove the front bumper as shown.



3. Install the caps as shown.

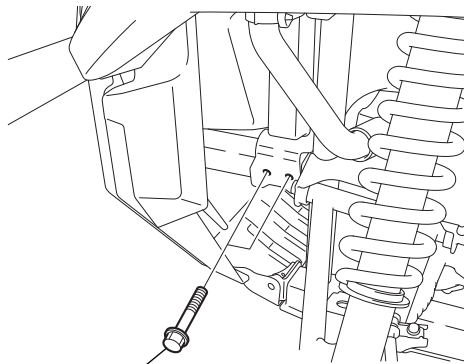


4. Loosely install the accessory front bumper as shown.



6. Tighten the loosely installed hardware to the values specified in the Torque Chart.

Loosely install the bolts as shown.



10 mm FLANGE BOLT (Reuse)
Repeat on the right side.

5. Loosely install the parts as shown.

