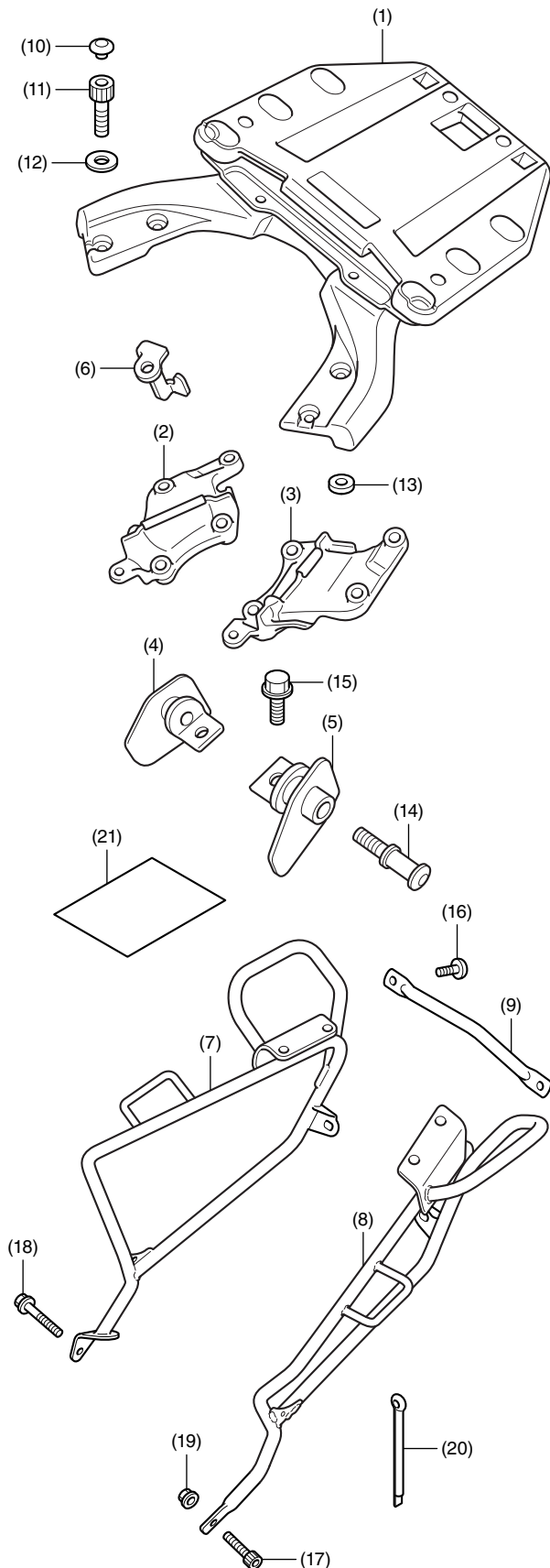


## PARTS LIST



No.	Description	Qty
(1)	Rear carrier/trunk mount	1
(2)	Right carrier stay	1
(3)	Left carrier stay	1
(4)	Right hook stay	1
(5)	Left hook stay	1
(6)	Helmet hook	1
(7)	Right saddlebag stay	1
(8)	Left saddlebag stay	1
(9)	Cross pipe	1
(10)	Cap	4
(11)	8 mm socket bolt (long)	4
(12)	Washer (thin)	4
(13)	Washer (thick)	4
(14)	8 mm hook bolt	2
(15)	6 mm flange bolt	2
(16)	8 mm socket bolt (short)	2
(17)	8 mm socket bolt (medium)	1
(18)	8 mm flange bolt	1
(19)	8 mm flange nut	3
(20)	Pin	1
(21)	Installation Instruction URL	1

## TOOLS REQUIRED

- Socket (10 and 12 mm)
- Ratchet
- Hex wrench (5 and 6 mm)
- Torque wrench

## TORQUE CHART

Tighten all screws, bolts, and nuts to their specified torque values. Refer to the Service Manual for the torque values of the removed parts.

Item	N-m	kgf-m	lbf-ft
6 mm flange bolt	12	1.2	9
8 mm socket bolt	22	2.2	16
8 mm hook bolt	22	2.2	16
8 mm flange bolt and nut	27	2.8	20

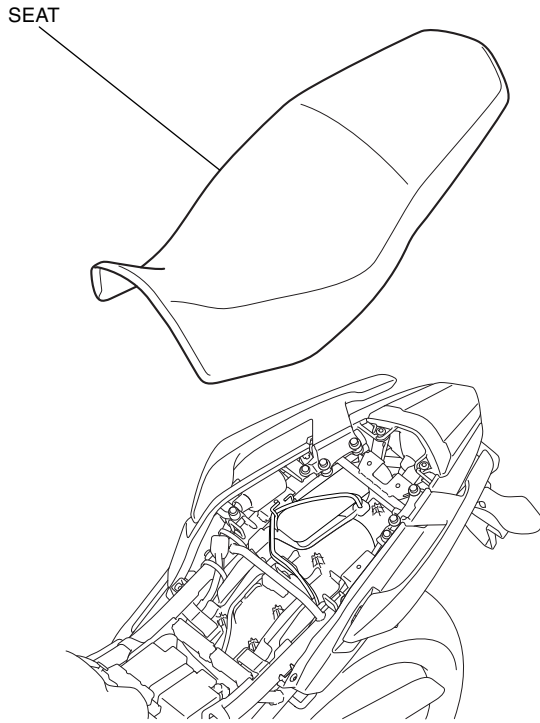
# INSTALLATION

## ▲ CAUTION

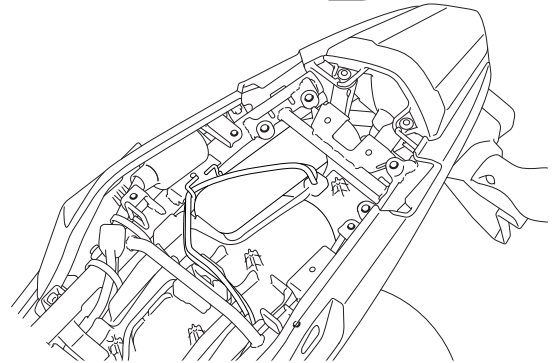
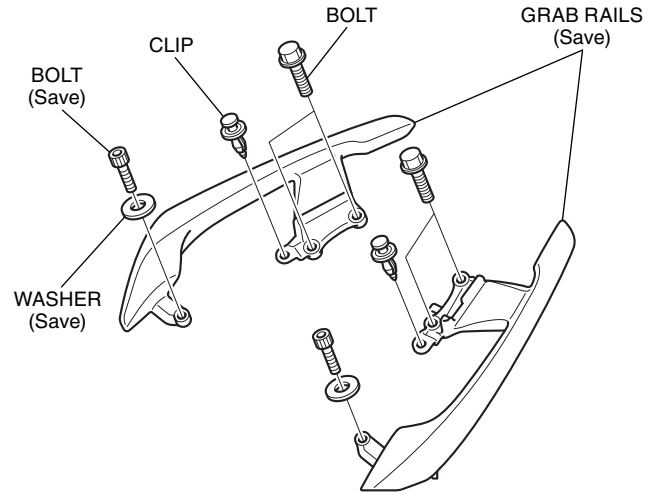
- To prevent burns, allow the engine, exhaust system, radiator, etc., to cool before installing the accessory.

### NOTE:

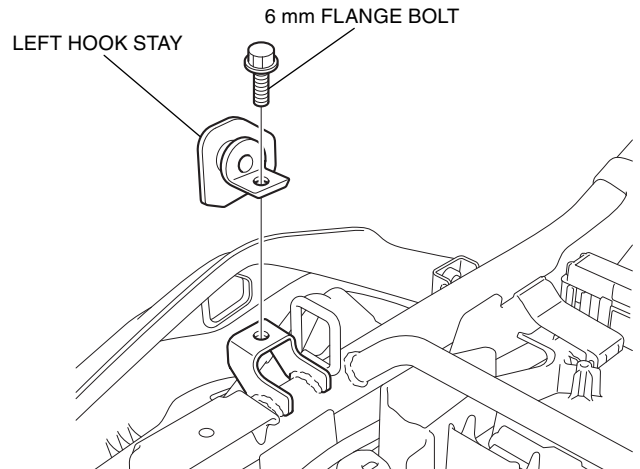
- Take care not to damage the painted surfaces of the motorcycle.
  - Reinstall the removed parts on the motorcycle and make sure that wires and harnesses are not pinched.
1. Refer to the Service Manual for the motorcycle, remove the seat.



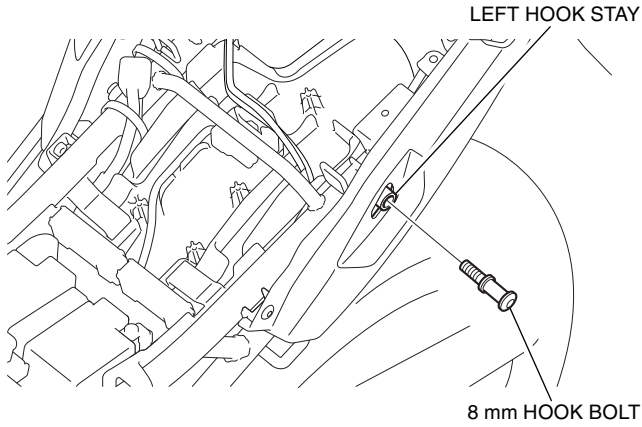
2. Refer to the Service Manual for the motorcycle, remove the grab rails.



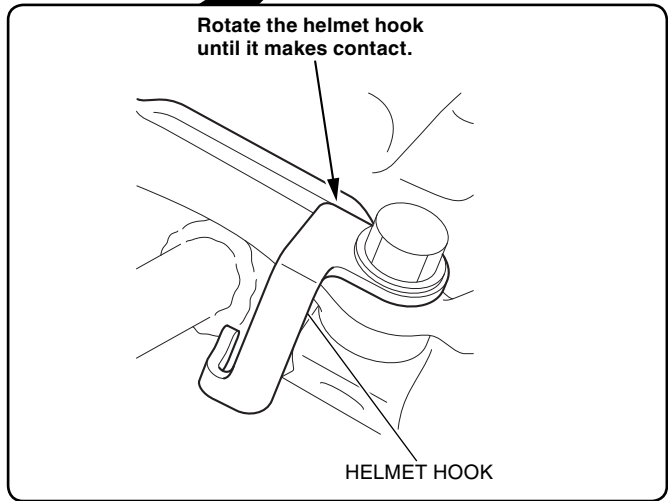
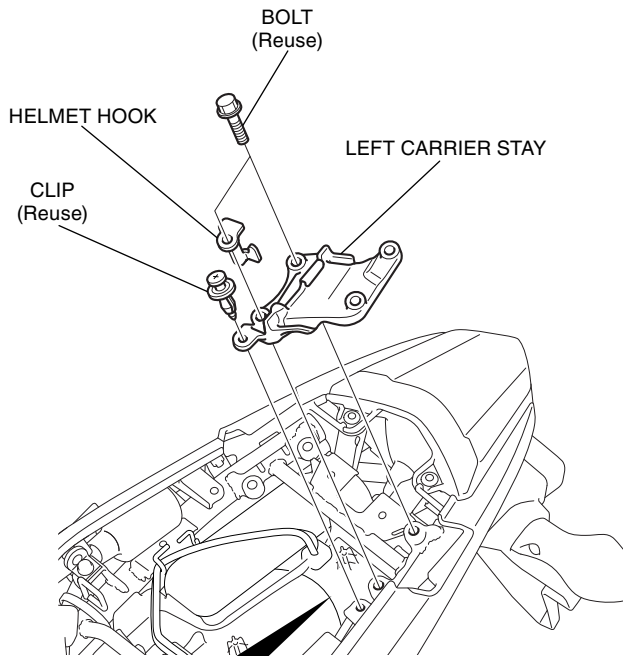
3. Install the left and right hook stays as shown.
  - Repeat on the right side.



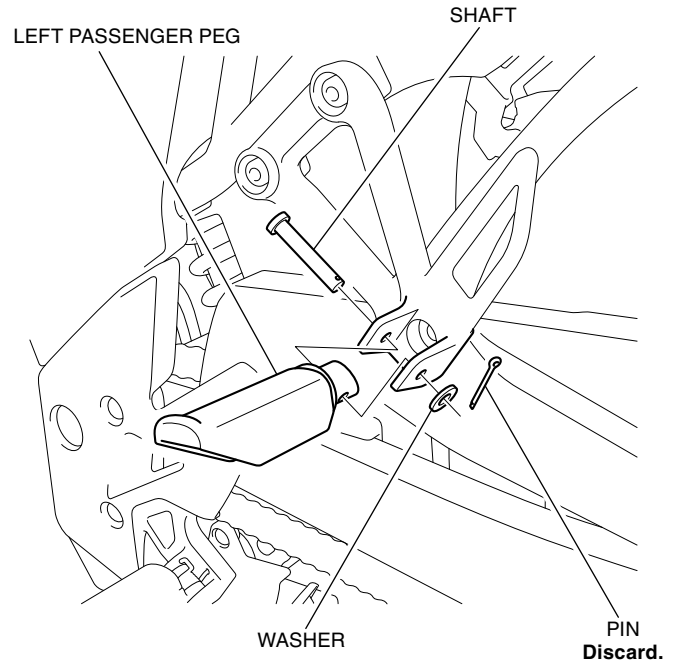
4. Install the 8 mm hook bolts as shown.
- Repeat on the right side.



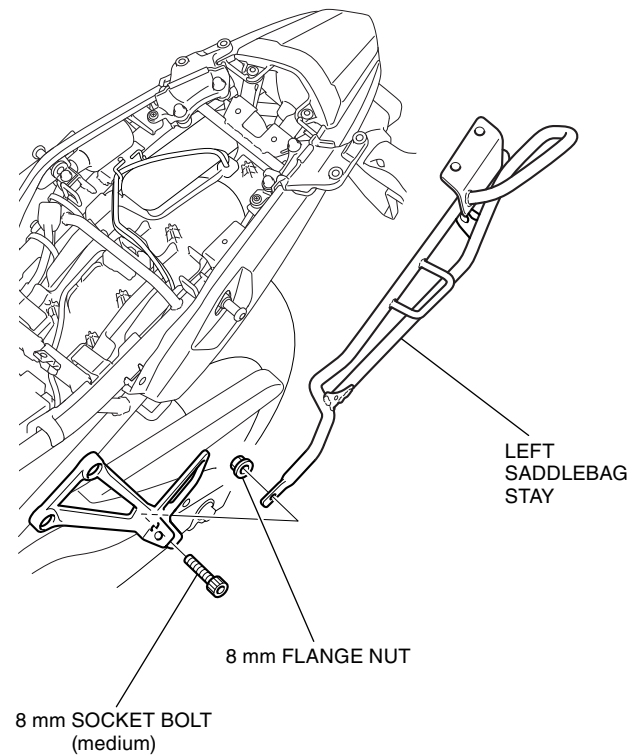
5. Loosely install the left and right carrier stays as shown.
- Repeat on the right side.



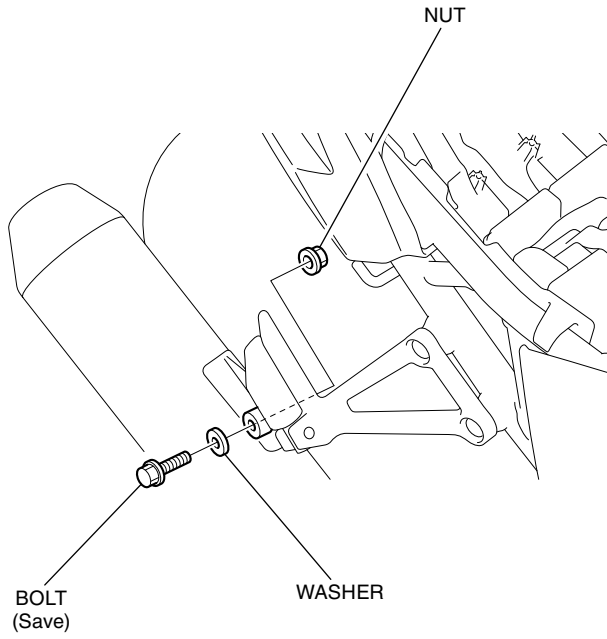
6. Remove the left passenger peg as shown.



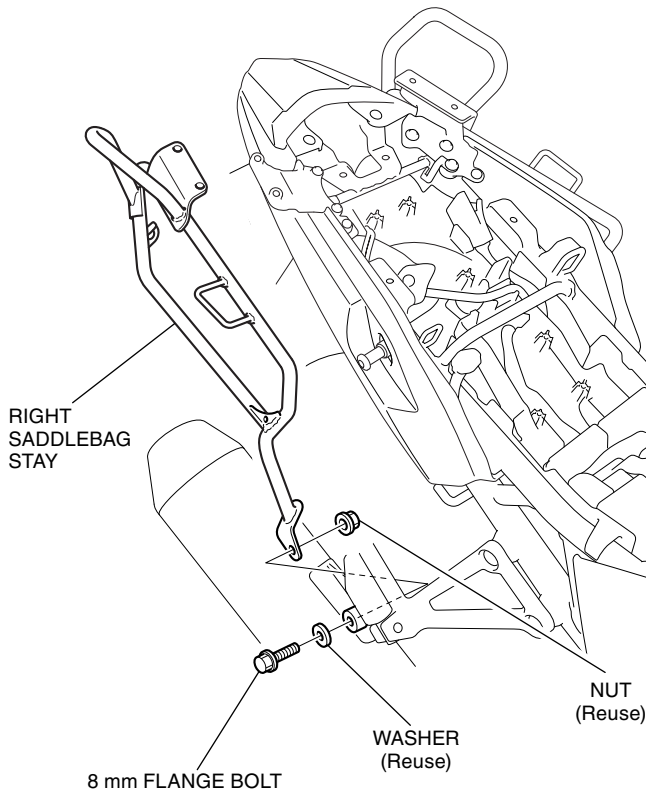
7. Loosely install the left saddlebag stay as shown.



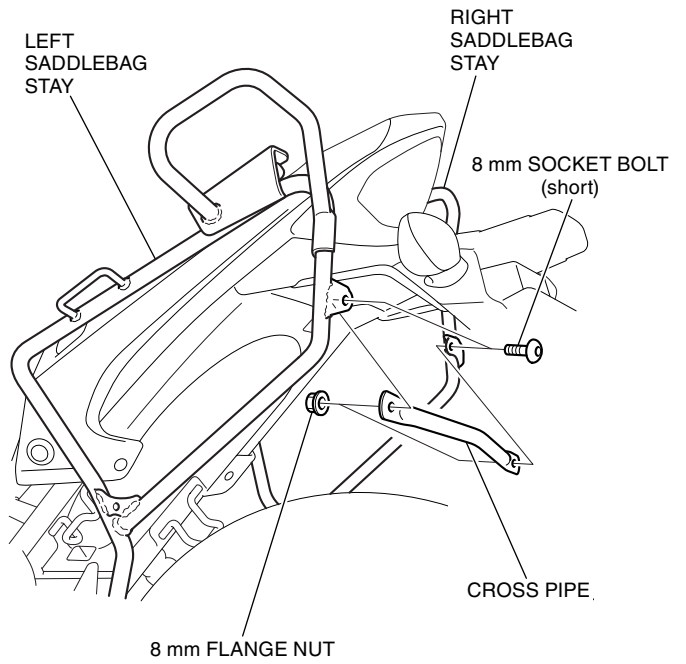
8. Remove the motorcycle parts as shown.



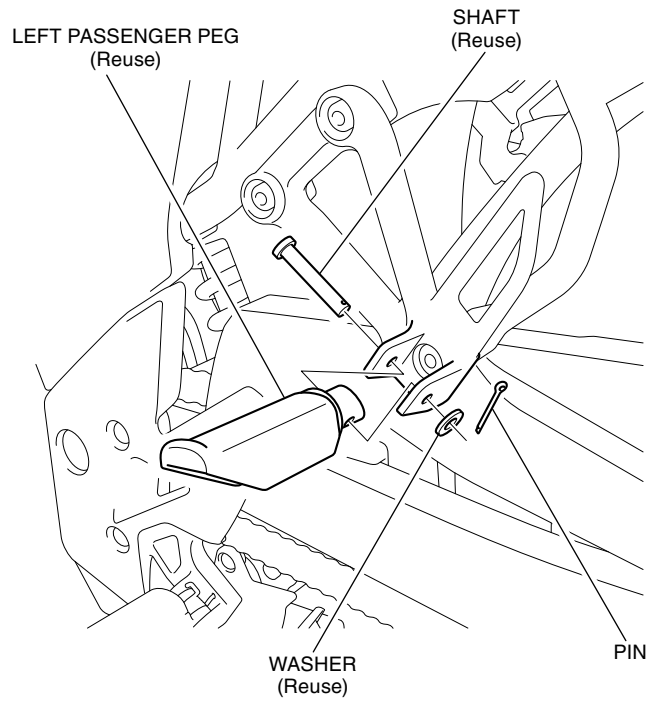
9. Loosely install the right saddlebag stay as shown.



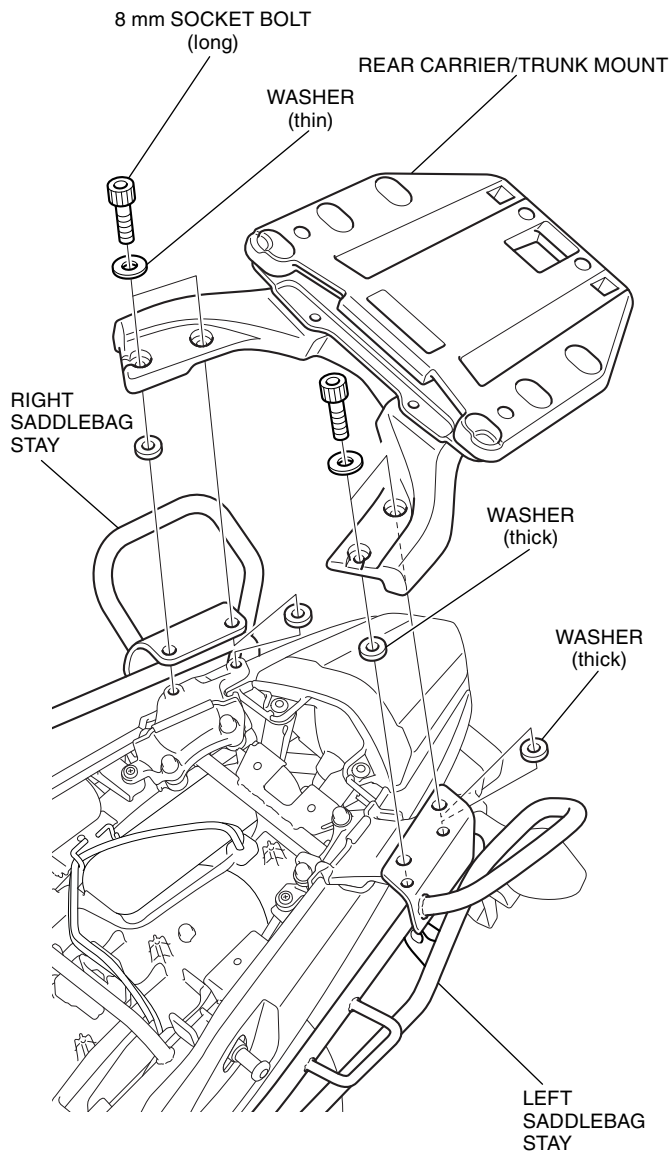
10. Loosely install the cross pipe as shown.



11. Install the left passenger peg as shown.

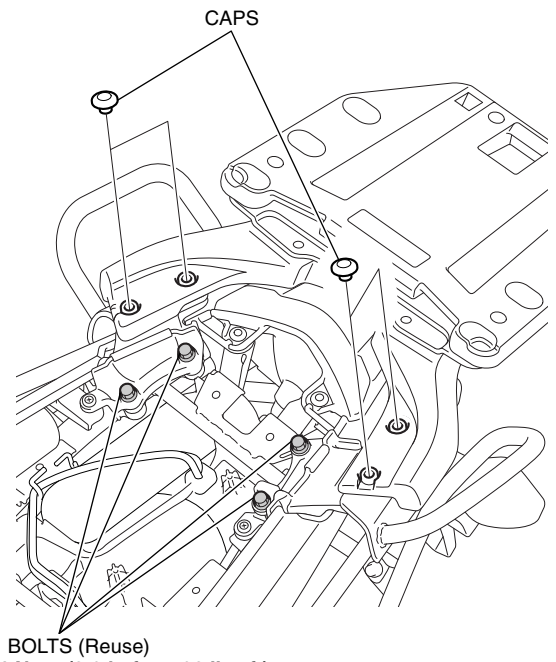


12. Install the rear carrier/trunk mount as shown.



13. Install the caps as shown.

- Tighten all loosely installed hardware to the specification.



**TORQUE: 31 N · m (3.2 kgf · m, 23 lbt · ft)**

14. Install the motorcycle's parts in the reverse order of removal.