



INSTALLATION INSTRUCTIONS

Accessory

**DRAW BAR KIT
P/N 08L90-HL1-100A**

Application

SXS1000M3/M5/M6

Publications No.

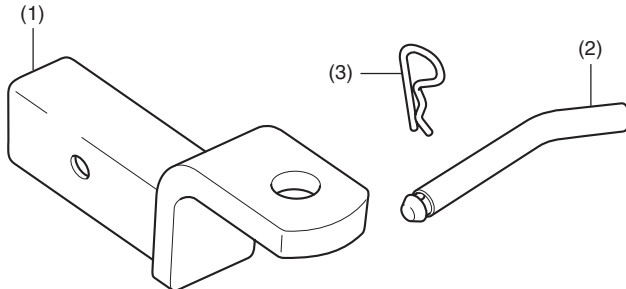
MII 12455

Issue Date

Revised: August 2022

Honda Dealer: Please give a copy of these instructions to your customer.

PARTS LIST



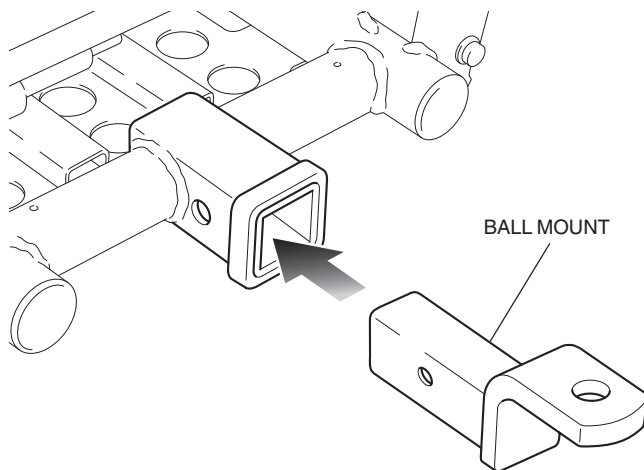
No.	Description	Qty
(1)	Draw bar	1
(2)	Pin	1
(3)	Clip	1

USE AND CARE INFORMATION

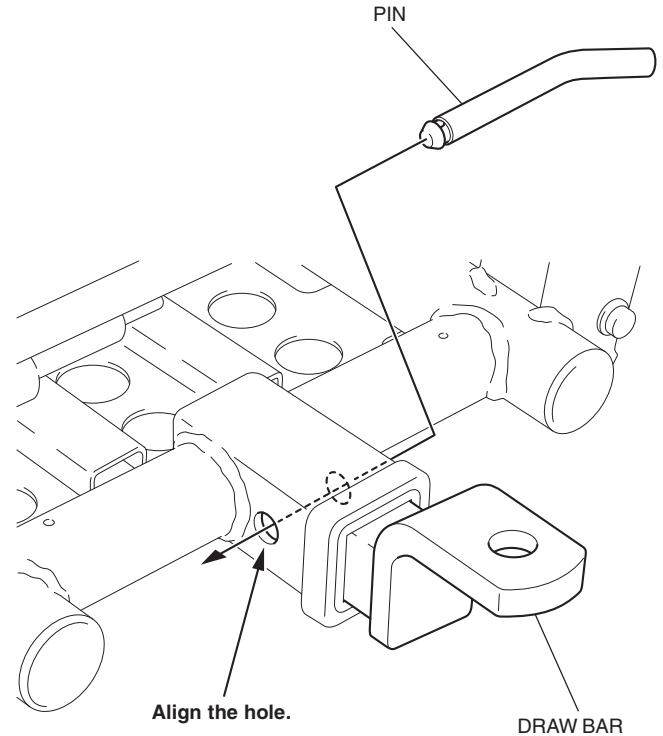
- Never exceed the maximum tow weight of 1,200 lbs and the maximum tongue weight of 120 lbs. Refer to the Owner's Manual for additional information on towing a trailer.
- Check that the draw bar is securely mounted on the vehicle before driving.
- Replace this accessory with a new one if it is damaged.
- Remove the accessory from the vehicle after towing.
- Do not use the accessory for any purposes but towing a trailer.
- Always use a Honda Genuine Hitch Ball (P/N 08L90-HL1-100C).

INSTALLATION

1. Install the ball mount as shown.



2. Install the pin as shown.



3. Install the clip as shown.

