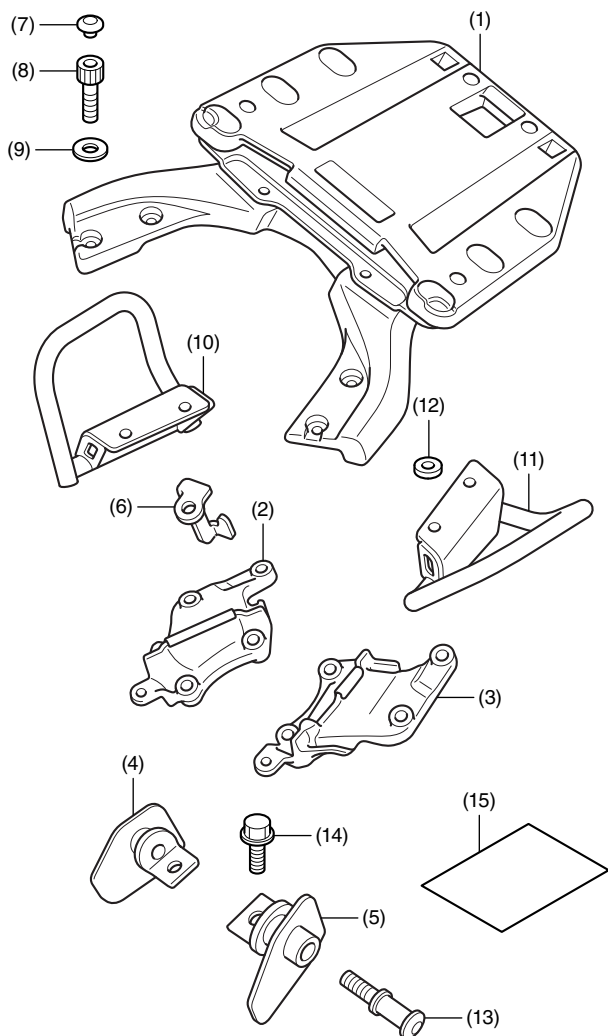


## PARTS LIST



No.	Description	Qty
(1)	Rear carrier/trunk mount	1
(2)	Right carrier stay	1
(3)	Left carrier stay	1
(4)	Right hook stay	1
(5)	Left hook stay	1
(6)	Helmet hook	1
(7)	Cap	4
(8)	8 mm socket bolt	4
(9)	Washer (thin)	4
(10)	Right grip	1
(11)	Left grip	1
(12)	Washer (thick)	4
(13)	8 mm hook bolt	2
(14)	6 mm flange bolt	2
(15)	Installation Instruction URL	1

## TOOLS REQUIRED

Socket (10 and 12 mm)  
 Ratchet  
 Hex wrench (5 and 6 mm)  
 Torque wrench

## TORQUE CHART

Tighten all screws, bolts, and nuts to their specified torque values. Refer to the Service Manual for the torque values of the removed parts.

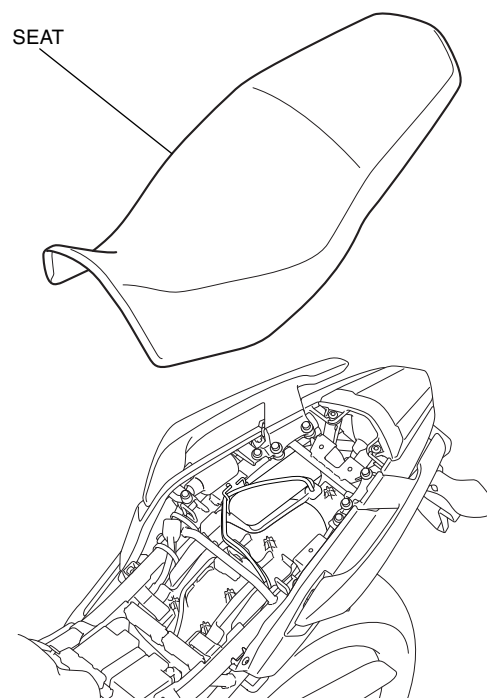
Item	N-m	kgf-m	lbf-ft
6 mm flange bolt	12	1.2	9
8 mm socket bolt	22	2.2	16
8 mm hook bolt	22	2.2	16

## INSTALLATION

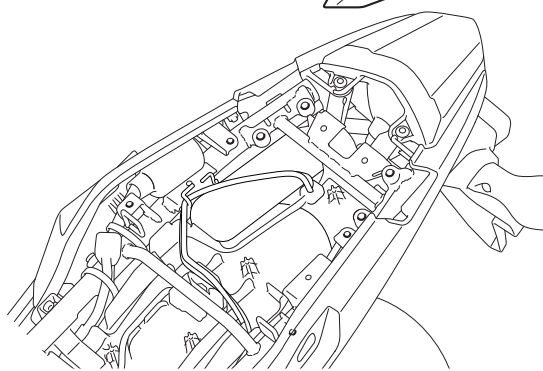
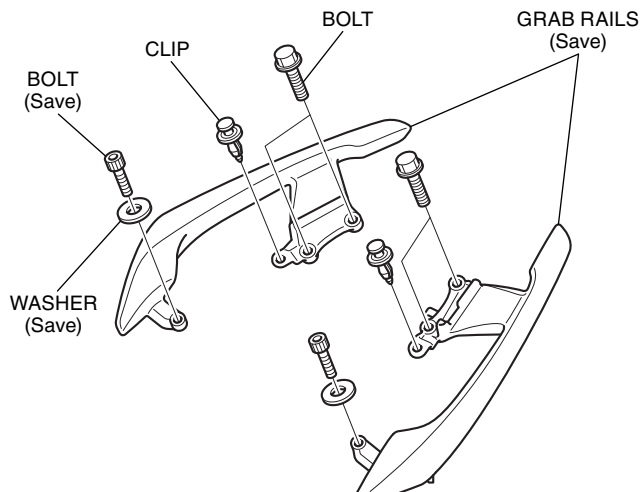
### NOTE:

- Take care not to damage the painted surfaces of the motorcycle.
- Reinstall the removed parts on the motorcycle and make sure that wires and harnesses are not pinched.

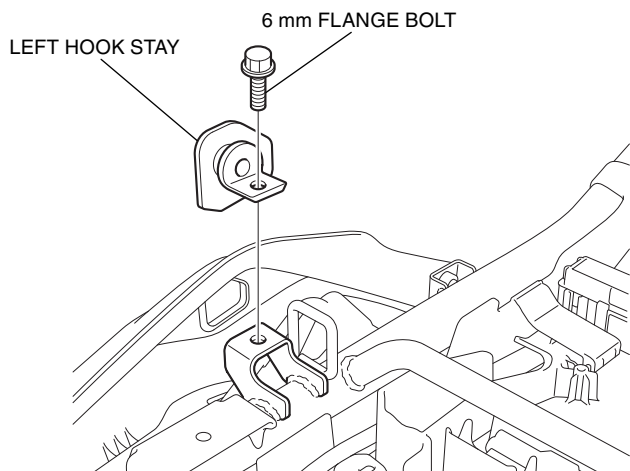
1. Refer to the Service Manual for the motorcycle, remove the seat.



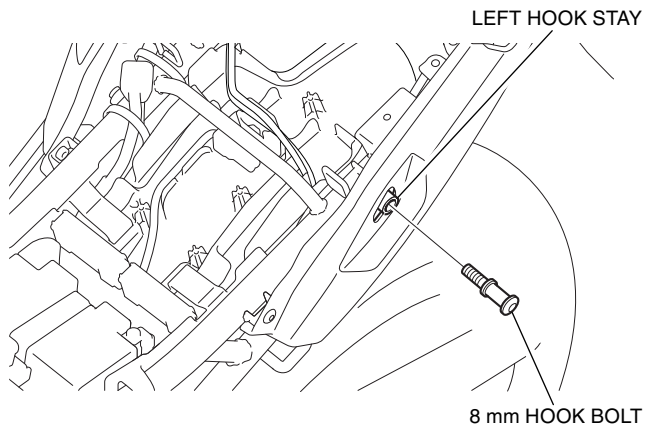
- Refer to the Service Manual for the motorcycle, remove the grab rails.
  - Repeat on the right side.



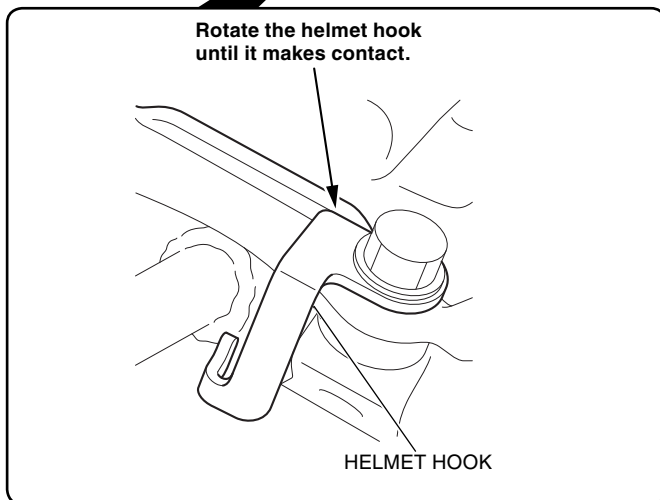
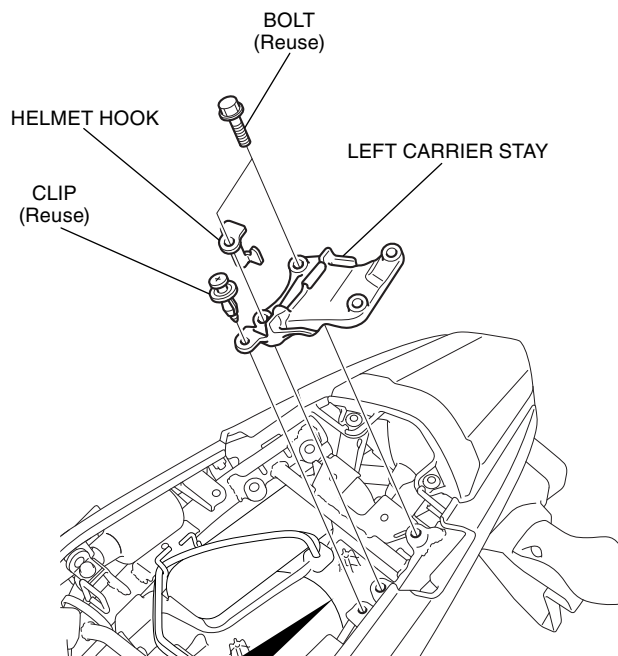
- Install the left and right hook stays as shown.
  - Repeat on the right side.



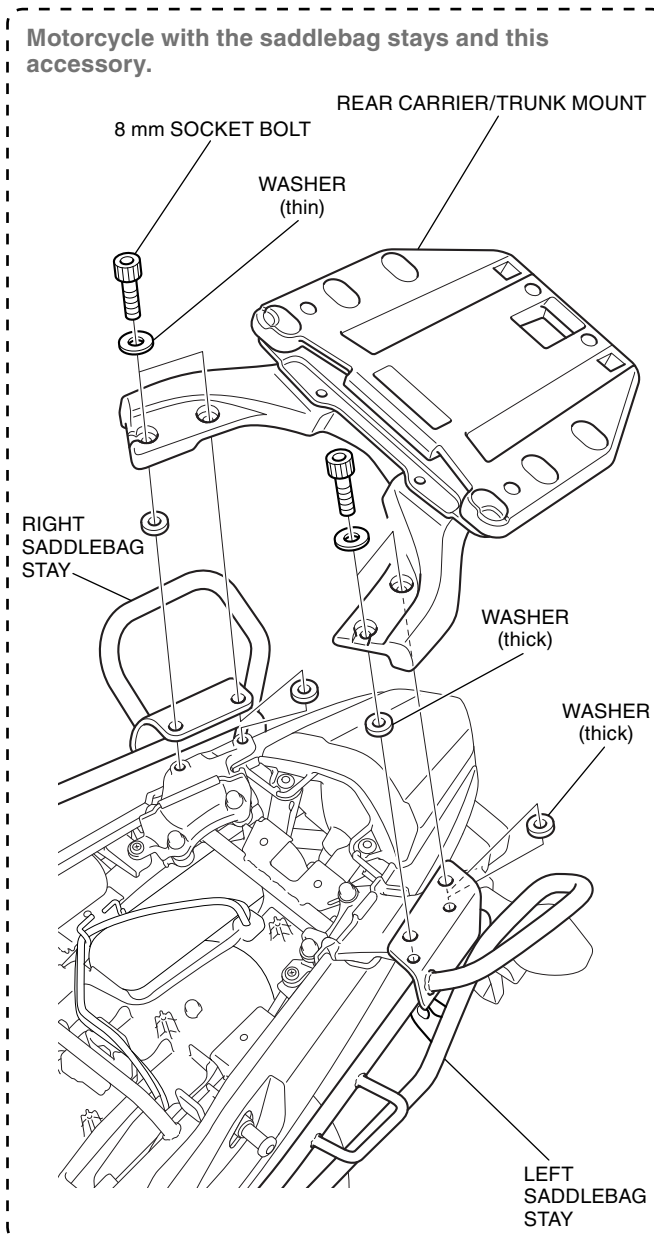
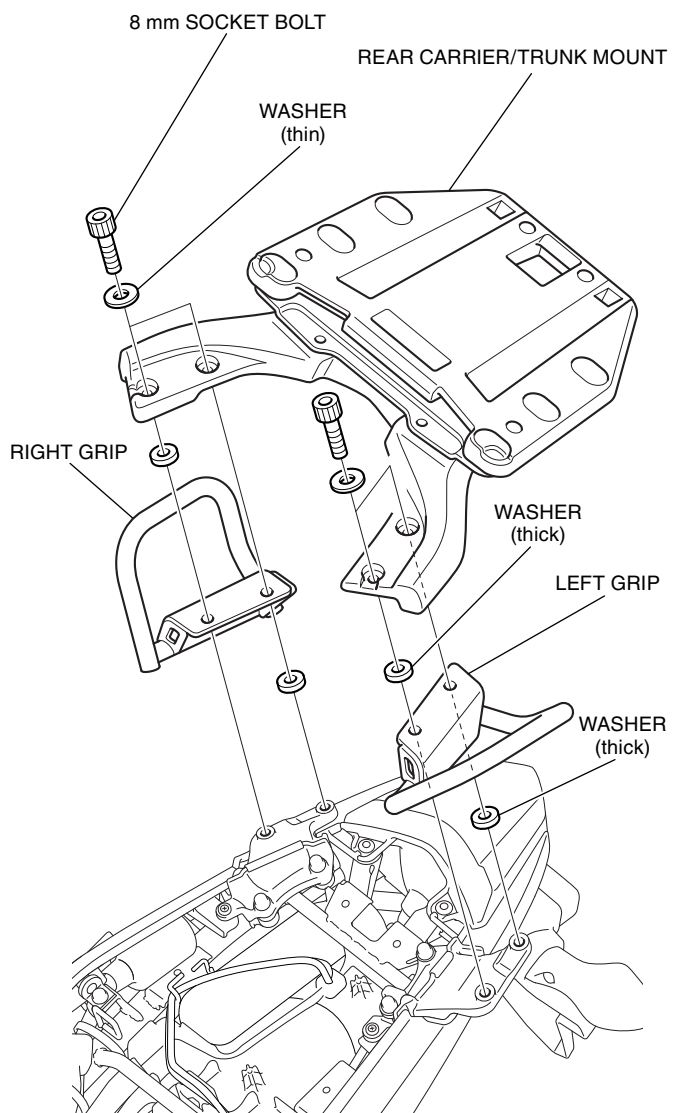
- Install the 8 mm hook bolts as shown.
  - Repeat on the right side.



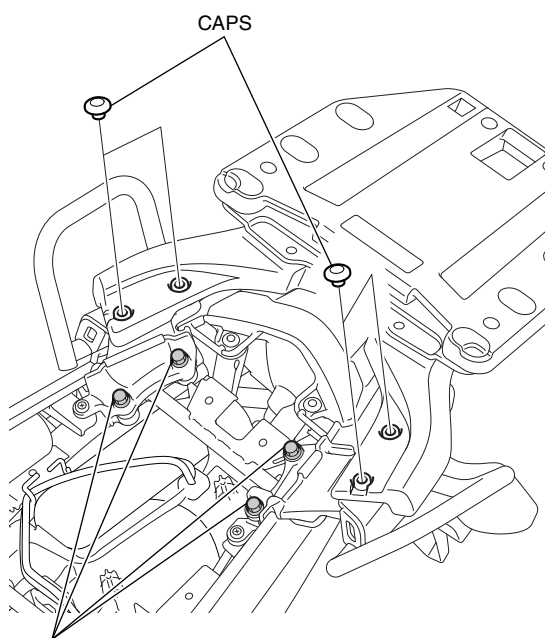
- Loosely install the left and right carrier stays as shown.
  - Repeat on the right side.



6. Install the rear carrier/trunk mount as shown.



7. Install the caps as shown.
- **Tighten all loosely installed hardware to the specification.**



**BOLTS (Reuse)**  
**TORQUE: 31 N · m (3.2 kgf · m, 23 lbt · ft)**

8. Install the motorcycle's parts in the reverse order of removal.