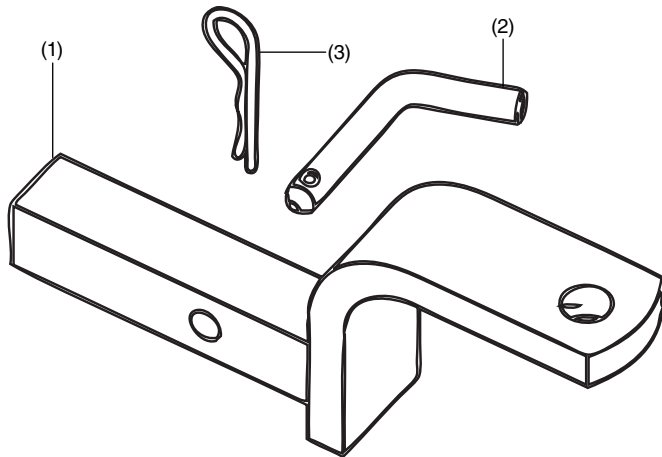


Accessory	Application	Publication No.
DRAW BAR P/N 08L76-HL5-A00	SXS500M2	MII 14948
		Issue Date June 2014

Honda Dealer: Please give a copy of these instructions to your customer.

PARTS LIST



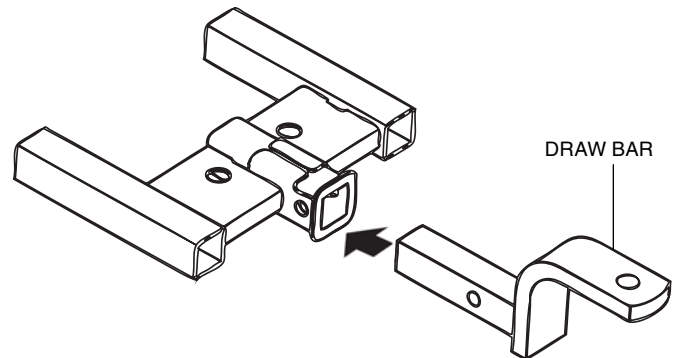
No.	Description	Qty
(1)	Draw bar	1
(2)	Pin	1
(3)	Clip	1

USE AND CARE INFORMATION

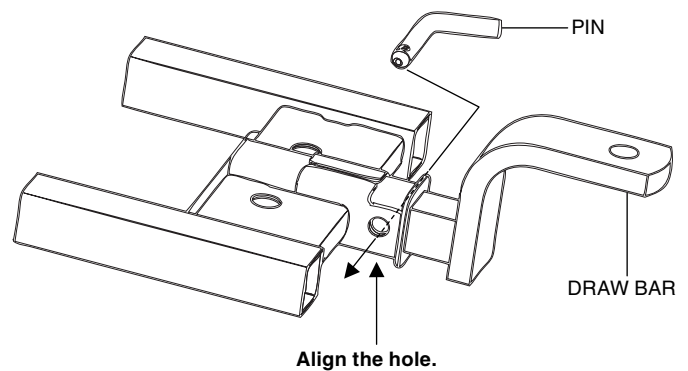
- Refer to the Owner's Manual for maximum tow weight and maximum tongue weight.
- Check that the draw bar is securely mounted on the vehicle before driving.
- Replace this accessory with a new one if it is damaged.
- Remove the accessory from the vehicle after towing.
- Do not use the accessory for any purpose other than towing a trailer.
- Always use a Honda Genuine Hitch Ball (P/N 08L90-HL1-100C).

INSTALLATION

1. Install the draw bar as shown.



2. Install the pin as shown.



3. Install the clip as shown.

