



INSTALLATION INSTRUCTIONS

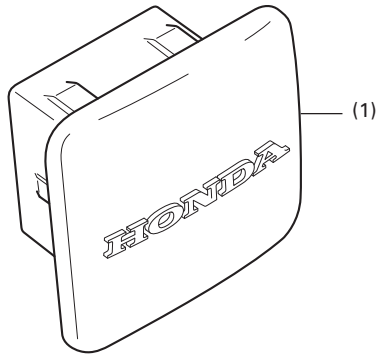
Accessory
RECEIVER HITCH COVER PLUG
P/N 08L76-HL4-A00

Application
Common

Publications No.
M11 15859
Issue Date
April 2016

Honda Dealer: Please give a copy of these instructions to your customer.

PARTS LIST



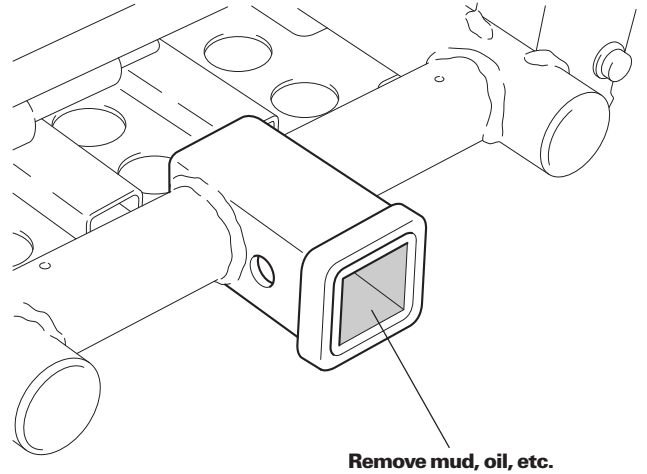
No.	Description	Qty
(1)	Receiver hitch cover plug	1

USE AND CARE INFORMATION

- Check that the receiver hitch cover plug is mounted securely on the vehicle before driving.

INSTALLATION

1. Clean the indicated location.



2. Install the receiver hitch cover plug as shown.

