

HONDA

INSTALLATION INSTRUCTIONS

Accessory

REAR TRUNK - 45 Liter
(Wave key type)
P/N 08L74-MJN-A02ZA

Application

COMMON

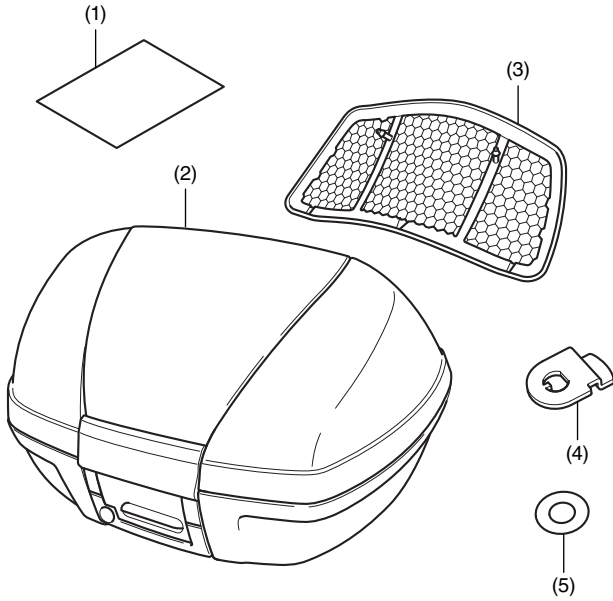
Publication No.

MII 14925

Issue Date

April 2014

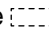
PARTS LIST

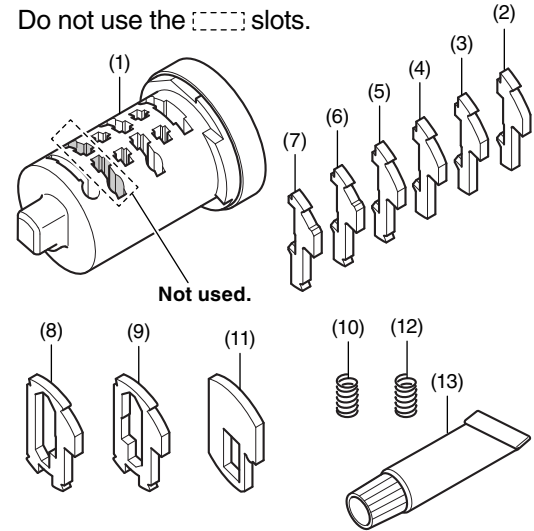


No.	Description	Qty
(1)	Installation Instructions URL	1
(2)	Rear trunk	1
(3)	Rear trunk pad	1
(4)	Plate	1
(5)	Spacer	1

1 KEY INNER CYLINDER (Wave key type)

Sold separately

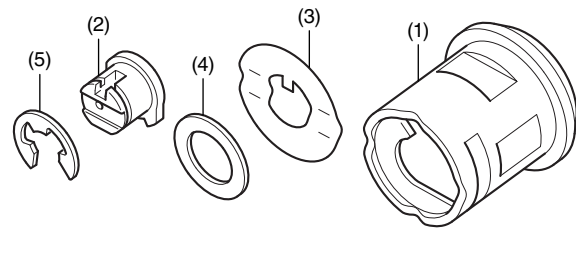
- Do not use the  slots.



No.	Description	Qty
(1)	Inner cylinder	1
(2)	No.1 tumbler	6
(3)	No.2 tumbler	6
(4)	No.3 tumbler	6
(5)	No.4 tumbler	6
(6)	No.5 tumbler	6
(7)	No.6 tumbler	6
(8)	Sub-lock tumbler A	1
(9)	Sub-lock tumbler B	1
(10)	Spring (Silver)	13
(11)	Stopper tumbler	2
(12)	Stopper spring (Black)	2
(13)	Grease	1

1 KEY BODY PARTS

Sold separately



No.	Description	Qty
(1)	Cylinder body	1
(2)	Inner joint	1
(3)	Spring plate	1
(4)	Washer (Not used)	1
(5)	E-clip	1

Carrier bracket / Rear carrier

Sold separately

- These are necessary depending on model, and the kit is different for each model.

SUPPLIES REQUIRED

Long nose pliers
Electric drill
Drill bit (6 mm)
Isopropyl alcohol
Shop towel

MAXIMUM LOADING CAPACITY

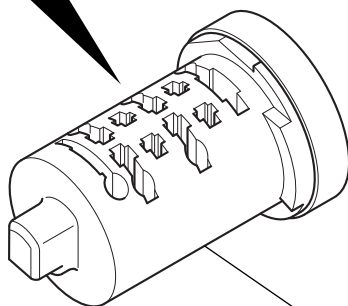
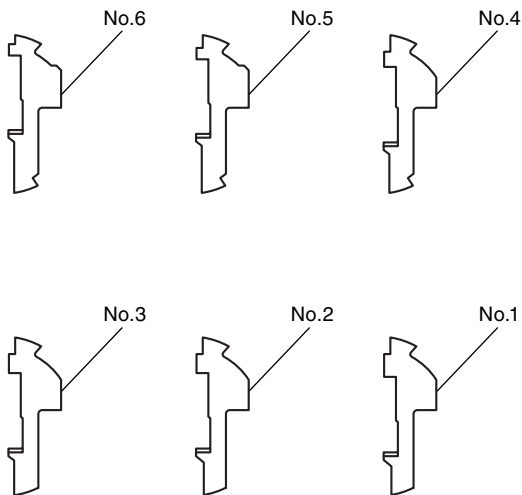
- The weight of the cargo must not exceed the following maximum loading capacity:

Maximum Loading Capacity	
Rear trunk	4.0 kg (8.8 lb)

< Notes regarding the key cylinder >


- This product is used to assemble a key cylinder matching the motorcycle key by combining six types of tumblers.
- When this key cylinder is installed in a box or similar equipment, the installed equipment can be operated with the motorcycle key.

Combine six types of tumblers.



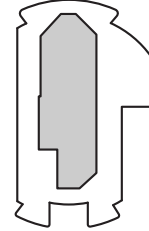
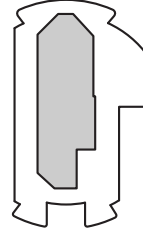
INNER CYLINDER

INSTALLATION

1. The two sub-lock tumbler types shown are provided.
 - The  part has a different slot for each of the two sub-lock tumbler types.
 - As the tumblers are small, keep them in the bag until they are used.


SUB-LOCK TUMBLER A

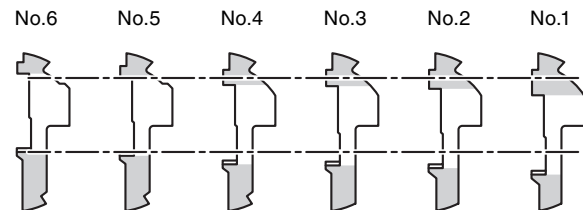
SUB-LOCK TUMBLER B



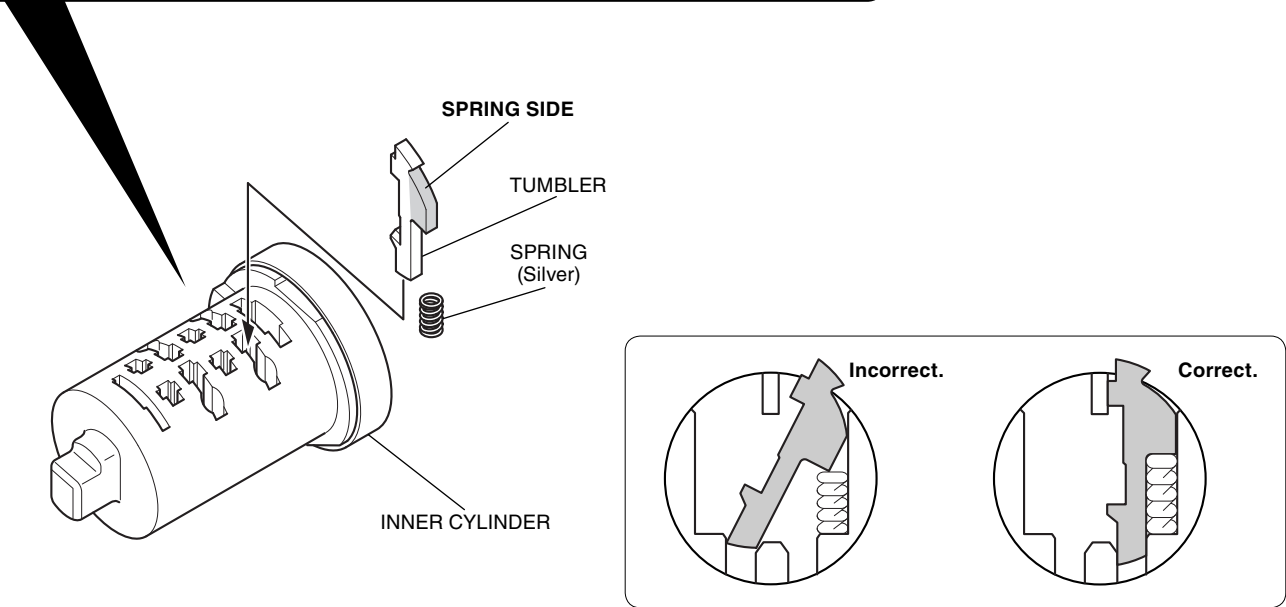
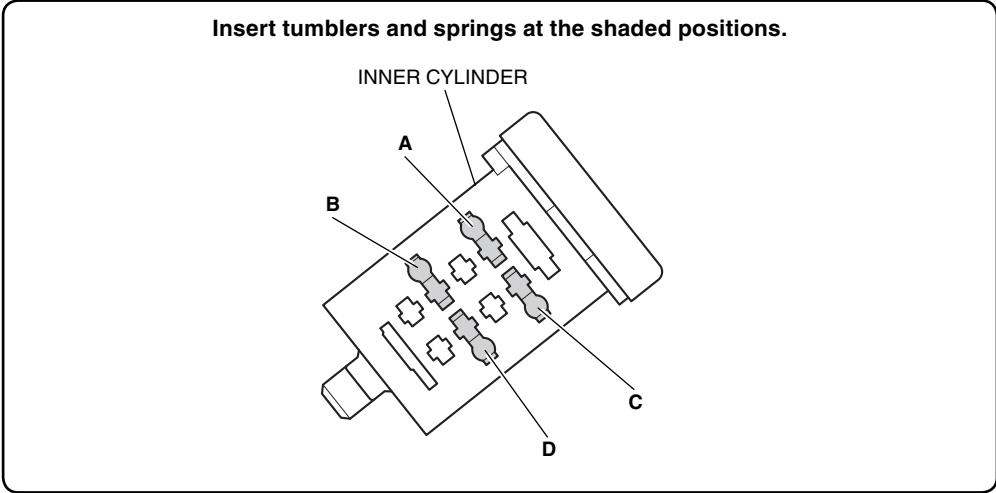
The stopper tumbler will be used later.



2. The six tumbler types shown are provided.
 - The  part has a different width for each of the six tumbler types.
 - As the tumblers are small, keep them in the bag until they are used.

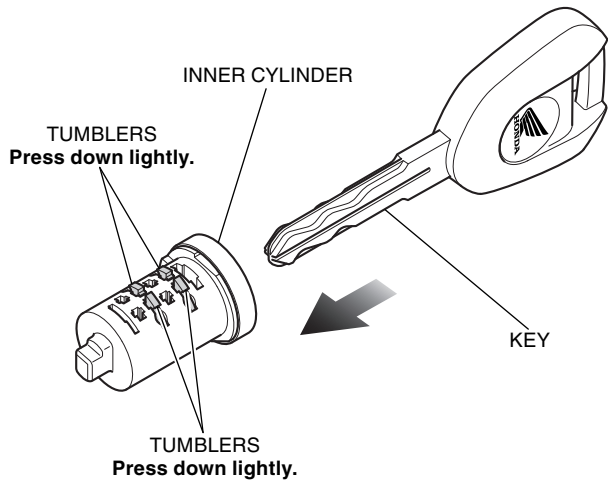


3. Install the tumblers and springs (silver) as shown.
- **First install four No.1 tumblers.**
 - **Note the installed tumblers in the chart below.**

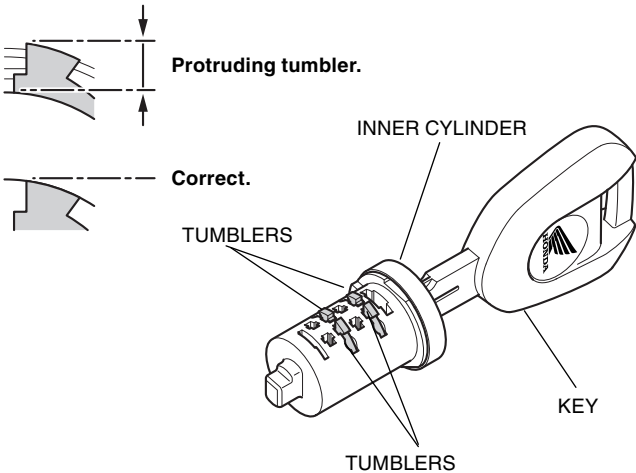


	Position A	Position B	Position C	Position D
No.1 tumbler				
No.2 tumbler				
No.3 tumbler				
No.4 tumbler				
No.5 tumbler				
No.6 tumbler				

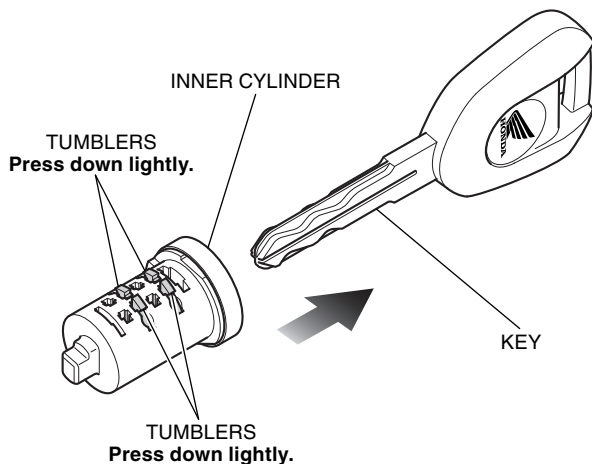
4. Insert the key as shown.
 - **Lightly press down on the tumblers from above, then insert the key.**



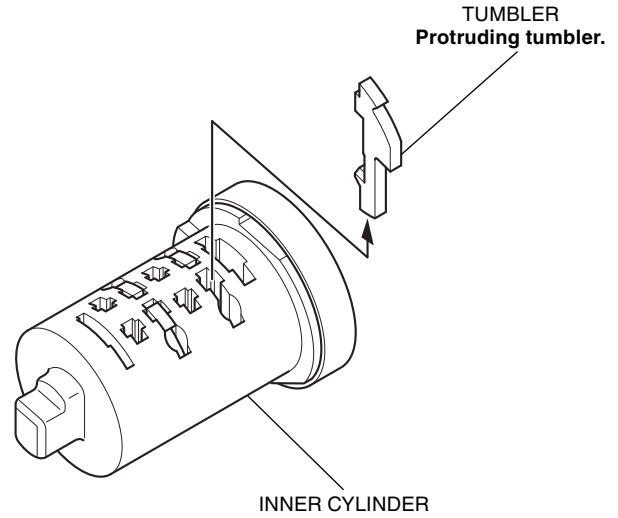
5. Confirm that some tumblers are protruding. Mark the positions of the protruding tumblers.
 - **The positions where tumblers protrude and the protruding height differ according to the key.**



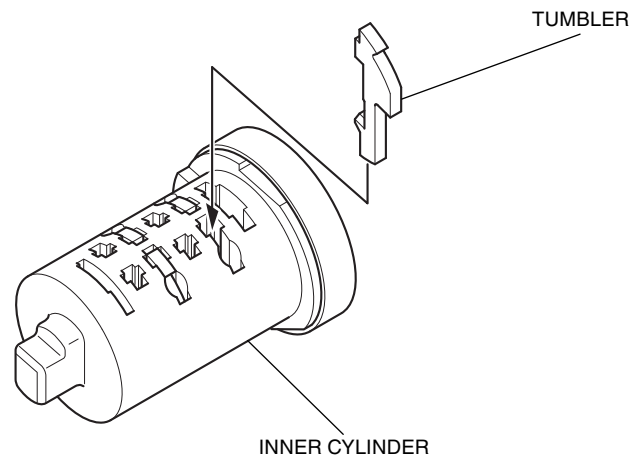
6. Press down lightly on the tumblers, pull the key out.
 - **The tumbler springs may jump out if the tumblers are not pressed down lightly.**



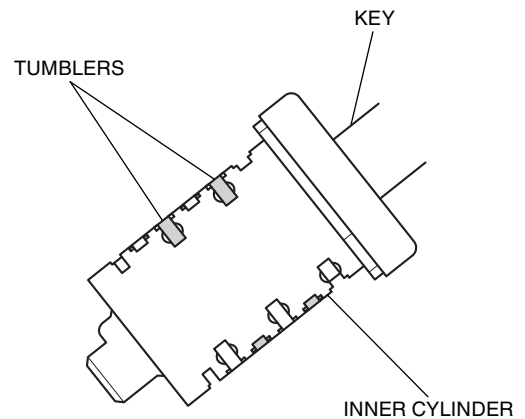
7. Pull out the protruding tumbler(s).
 - **Leave the spring(s) installed.**



8. Insert a different tumbler(s) at the marked positions.
 - **Start with No. 2 tumblers and continue sequentially.**

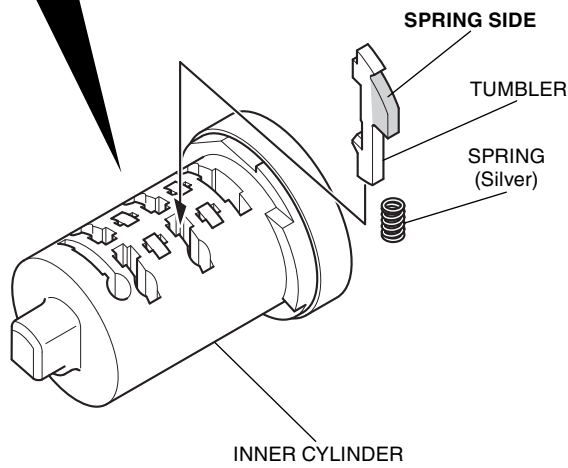
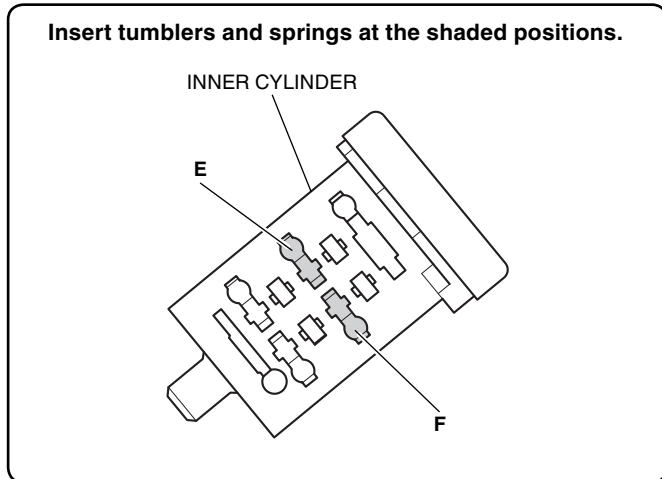


9. Repeat Steps 4 through 8, inserting different tumblers at the marked positions until no tumblers are protruding.
 - **Lightly press down on the tumblers from above, then insert the key.**



10. Install the tumblers and springs (silver) into the E and F slots on the reverse side inner cylinder as shown.

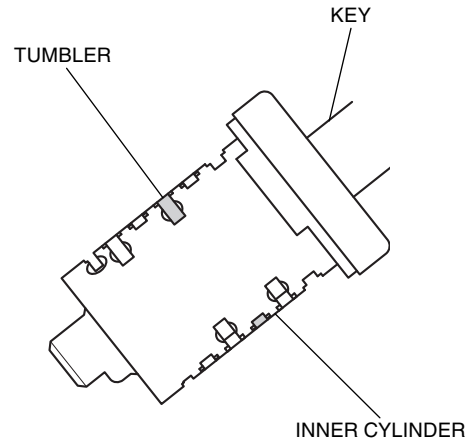
- **First install two No.1 tumblers.**



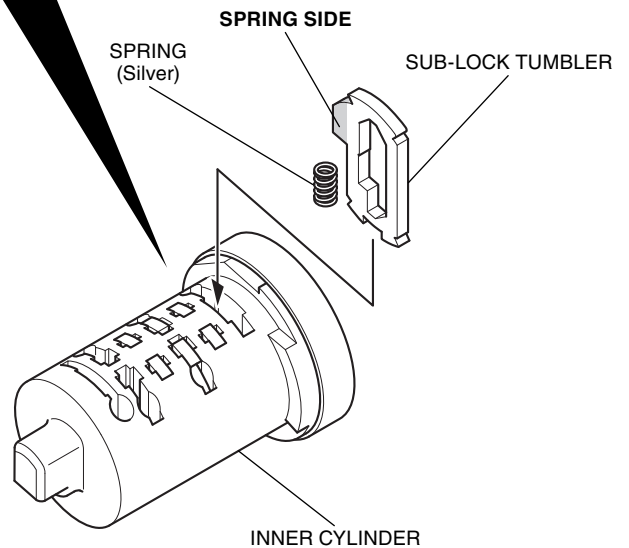
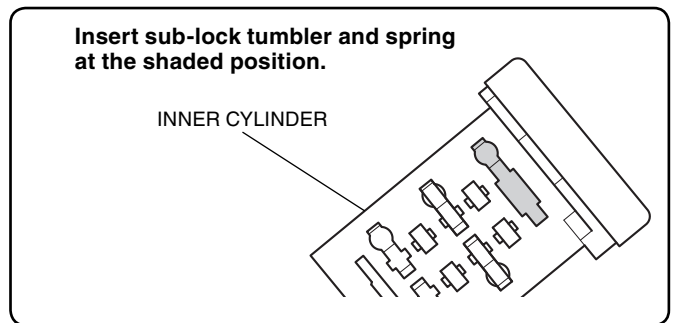
- **Note the installed tumbler in the chart below.**

	Position E	Position F
No.1 tumbler		
No.2 tumbler		
No.3 tumbler		
No.4 tumbler		
No.5 tumbler		
No.6 tumbler		

11. Use Steps 4 through 8 to assemble the reverse side inner cylinder in the same manner.



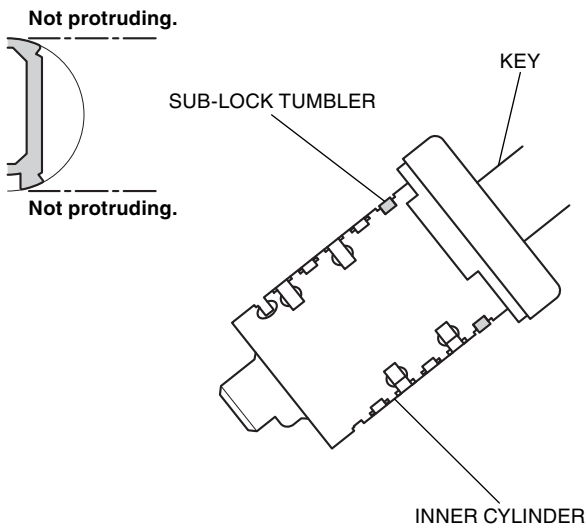
12. Install the sub-lock tumbler as shown.



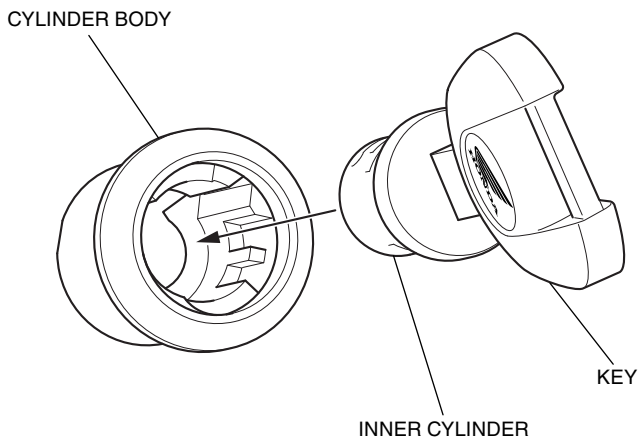
- **Note the installed tumbler in the chart below.**

Sub-lock tumbler A	
Sub-lock tumbler B	

13. Confirm that the sub-lock tumbler is not protruding.
- **If the tumbler is protruding, change to another sub-lock tumbler and recheck.**



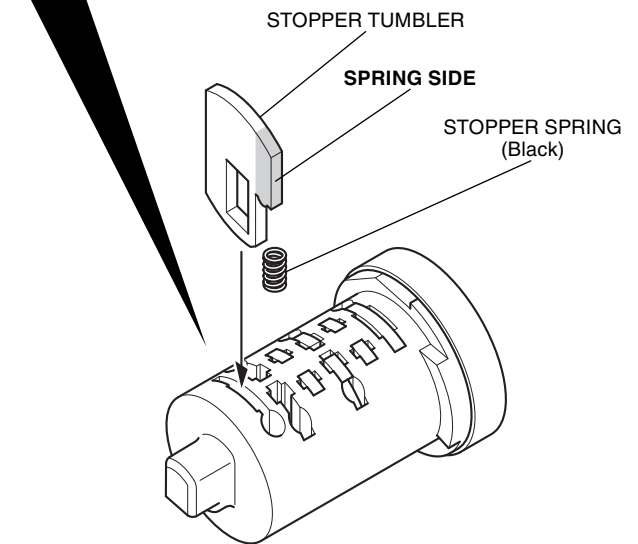
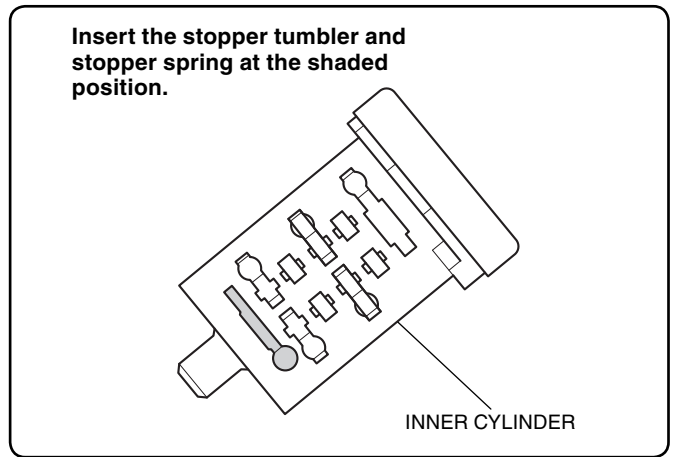
14. Insert the assembled inner cylinder into the cylinder body as shown.
- **Confirm the inner cylinder turns clockwise smoothly.**



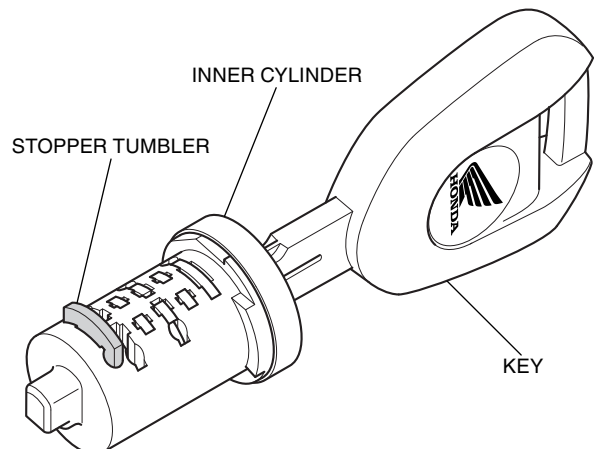
15. Pull out the inner cylinder.

16. Press down lightly on the tumblers and pull out the key.

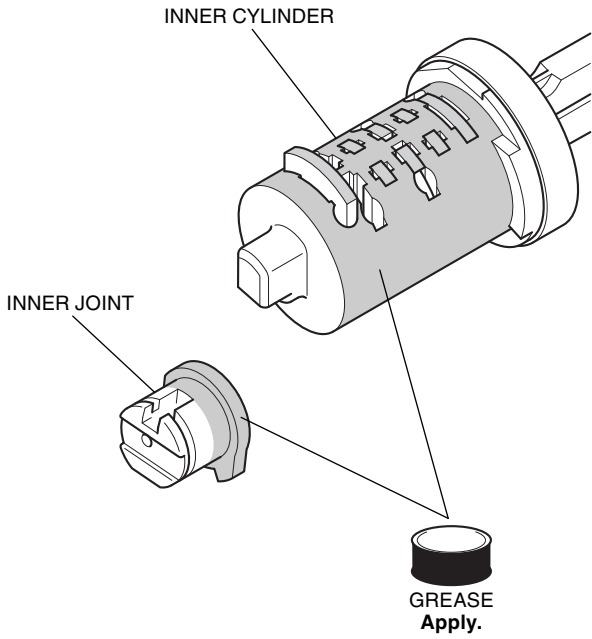
17. Install the stopper tumbler and stopper spring (black) as shown.



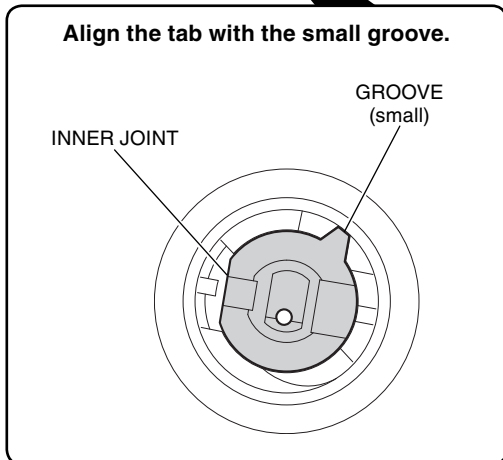
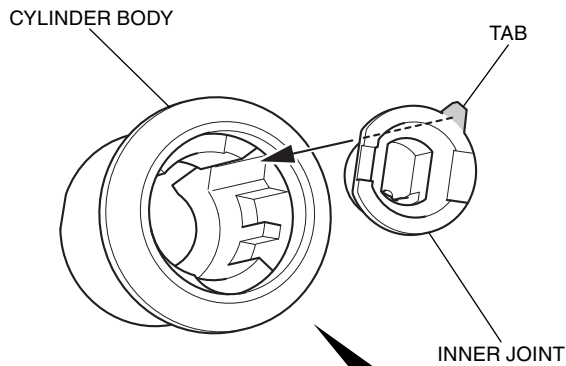
18. Insert the key as shown.
- **Lightly press down on the tumblers from above, then insert the key.**
 - **Confirm that the stopper tumbler jumps out.**



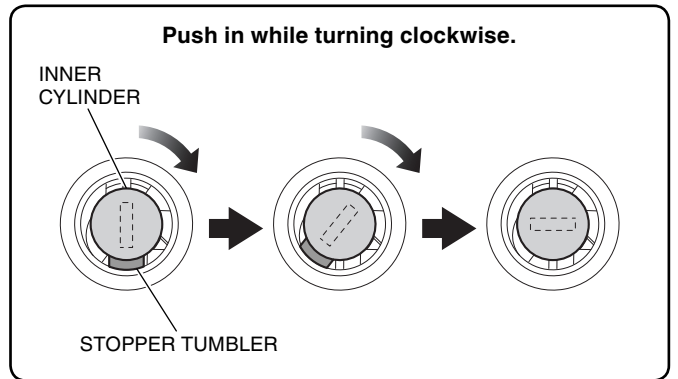
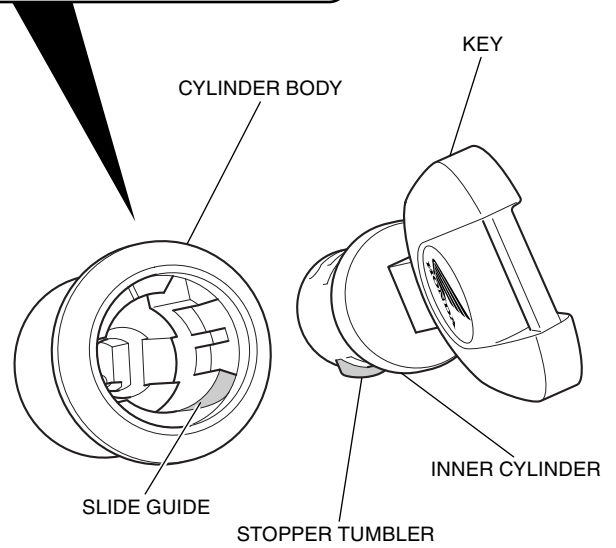
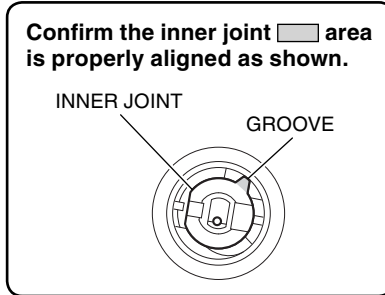
19. Apply grease to the shaded areas as shown.
- **Apply to the inner joint, tumbler, and the outer circumference of the inner cylinder.**
 - **Use only the supplied grease.**



20. Install the inner joint into the cylinder body as shown.



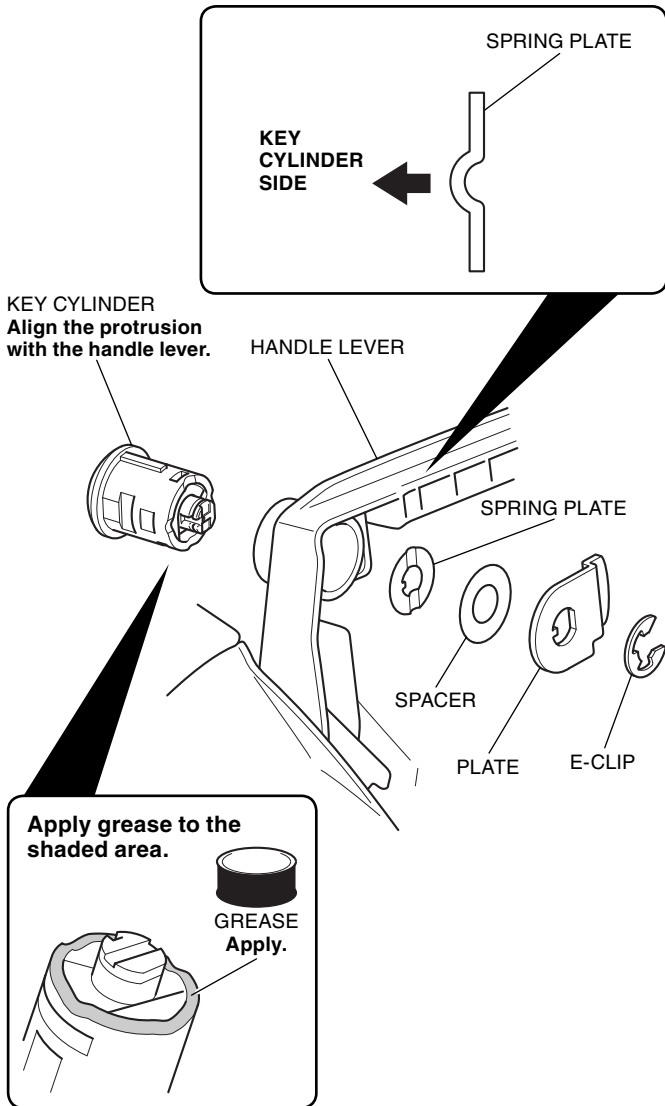
21. Install the inner cylinder by sliding the stopper tumbler along the slide guide while rotating it.
- **If the inner cylinder cannot be inserted, again confirm that no tumblers other than the stopper tumbler have jumped out.**



22. Draw out the key and check that the inner cylinder does not come out.

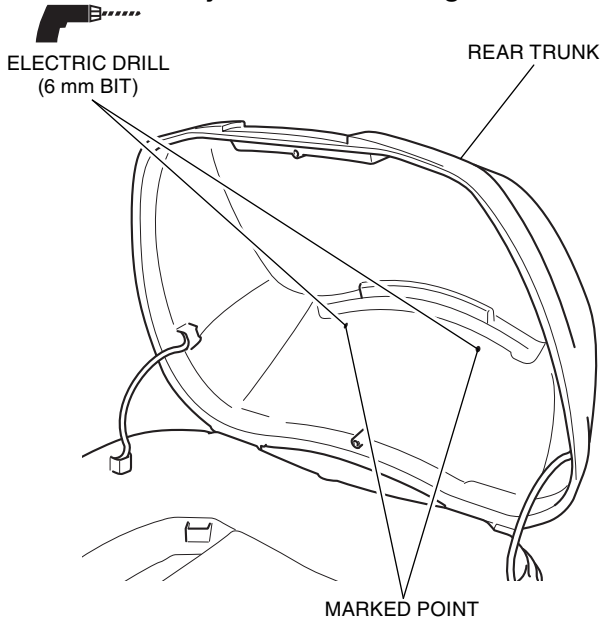
23. Install the key cylinder on the rear trunk as shown.

- Use only the supplied grease.

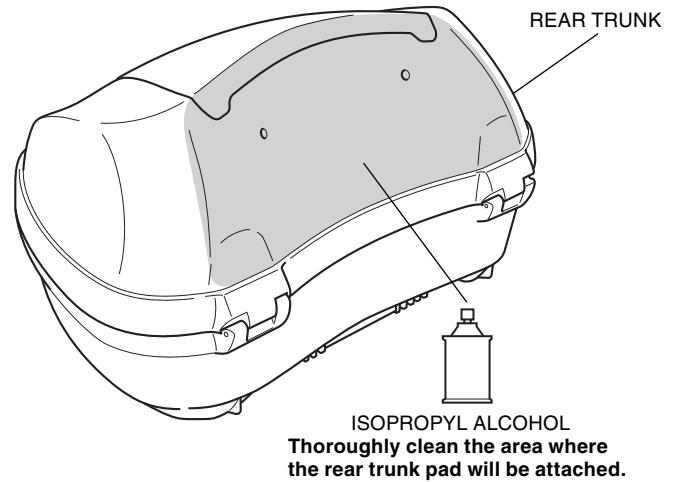


24. Drill at the marked points shown using an electric drill.

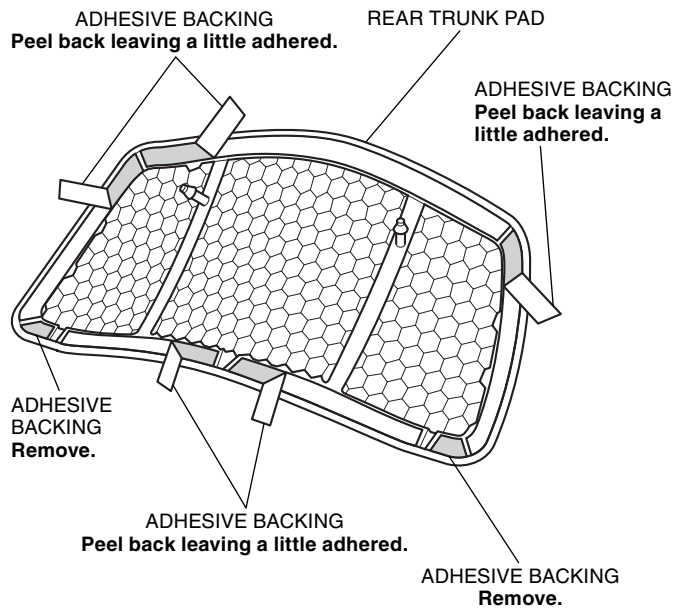
- Remove any burrs from the edge of the holes.



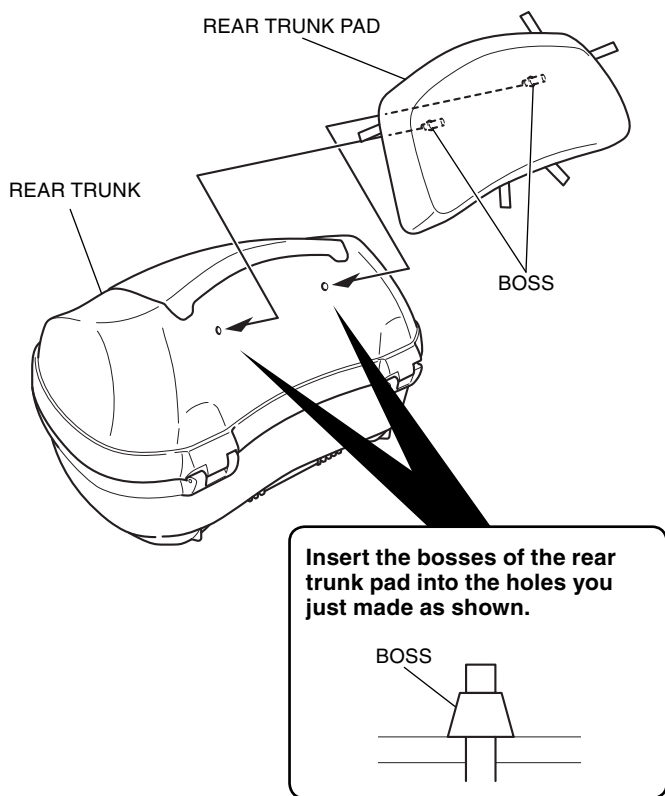
25. Clean the surface of the area shown using isopropyl alcohol.



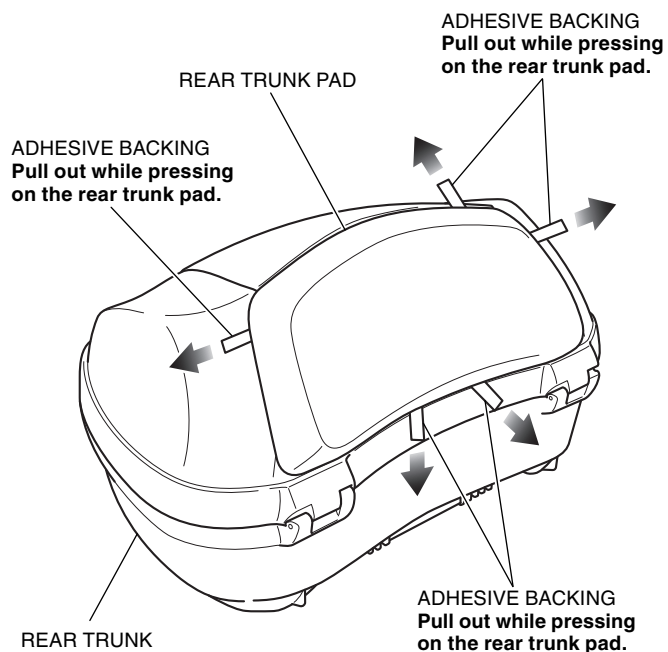
26. Peel a small portion of the adhesive backings that will attach to the inner side of the rear trunk pad.



27. Install the rear trunk pad as shown.



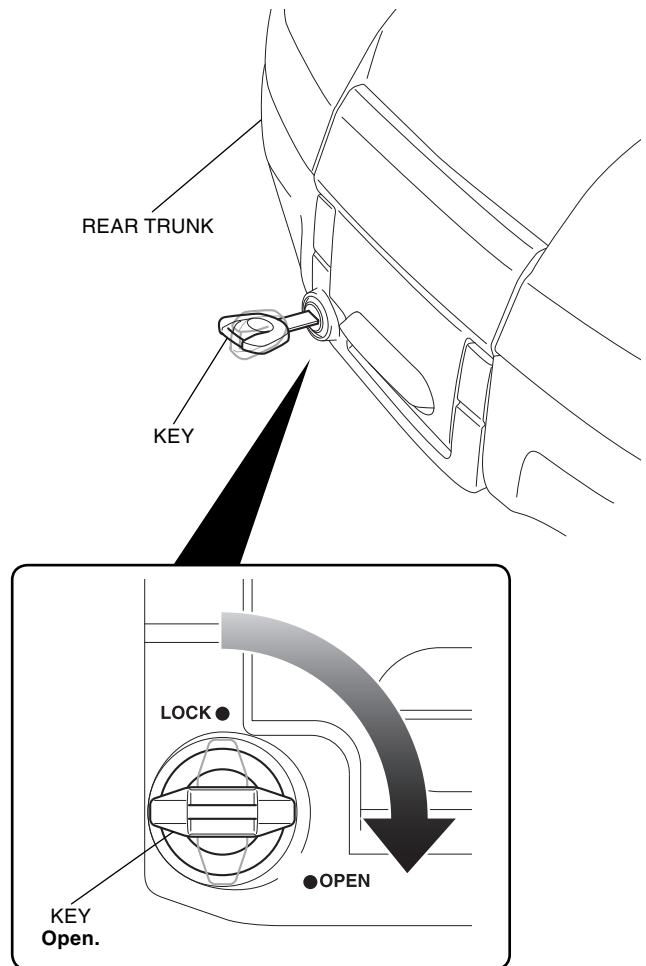
28. Pressing the rear trunk pad with your palm, remove the adhesive backings from the inner side of the rear trunk pad and attach the rear trunk pad securely.



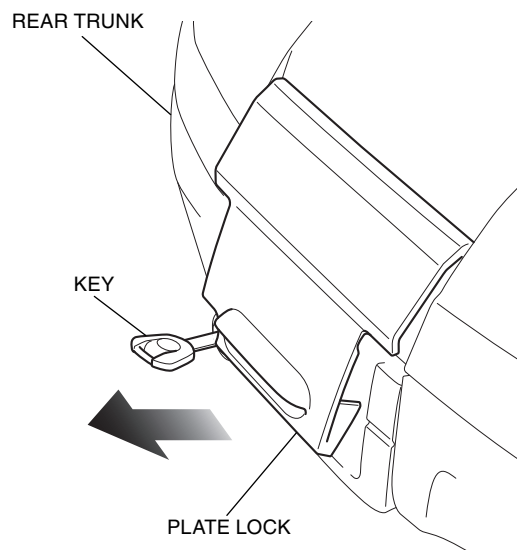
USING THE REAR TRUNK

How to Open and Close the Rear Trunk

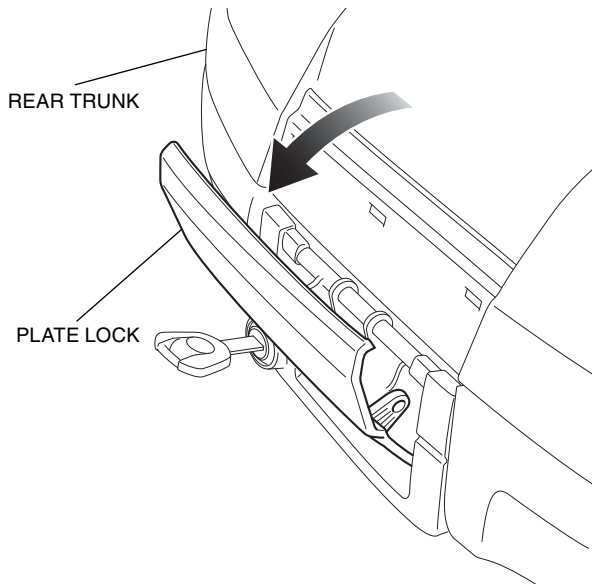
1. Release the lock by turning the key clockwise.



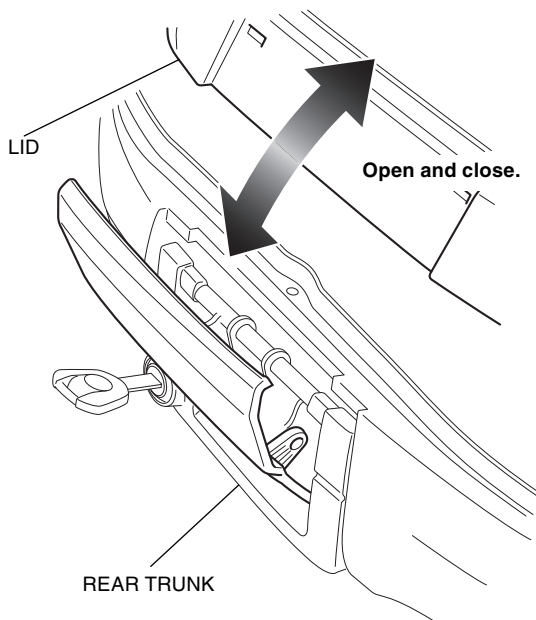
2. Pull and raise the plate lock with the key turned to right.



3. Remove the plate lock as shown.



4. Open and close the lid.

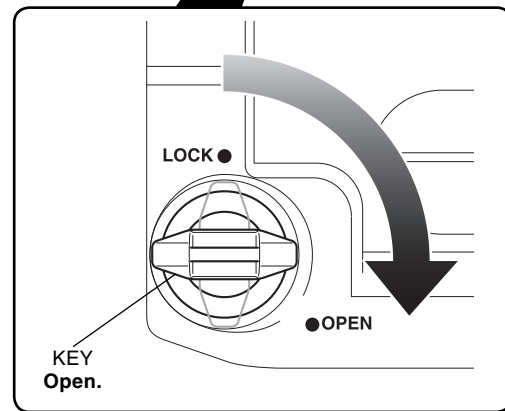
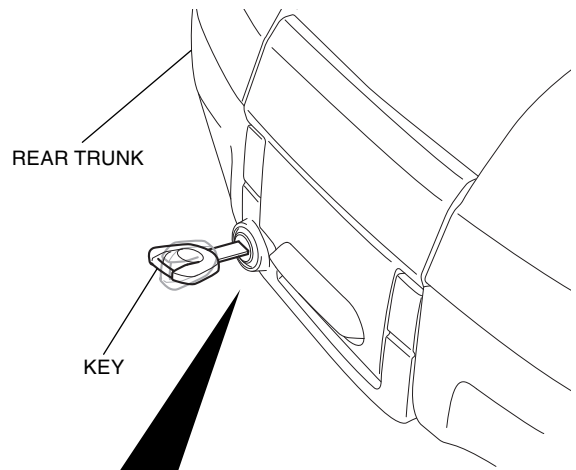


5. After closing the lid, install the plate lock in the reverse order of removal and pull out the key.

- **Confirm that the lid and plate lock are closed securely.**

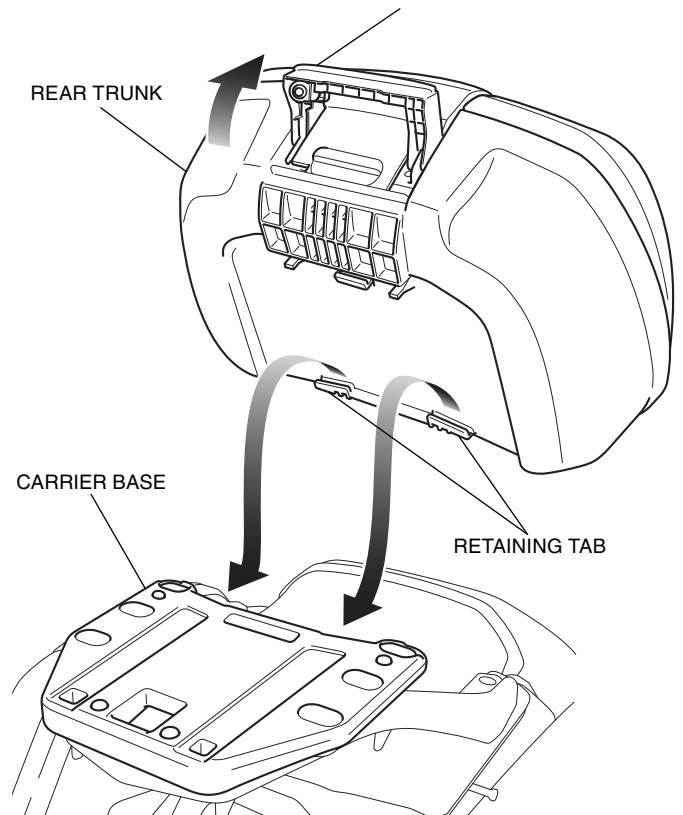
How to Install the Rear Trunk

1. Release the lock by turning the key clockwise.

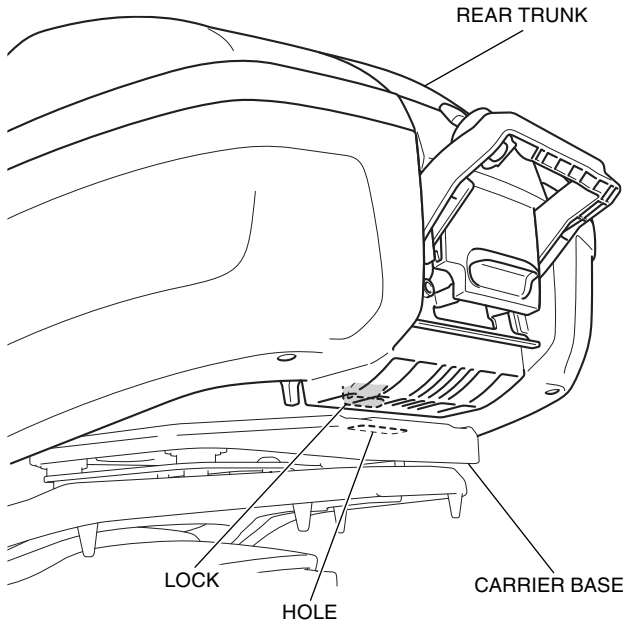


2. Install the rear trunk on the carrier base.

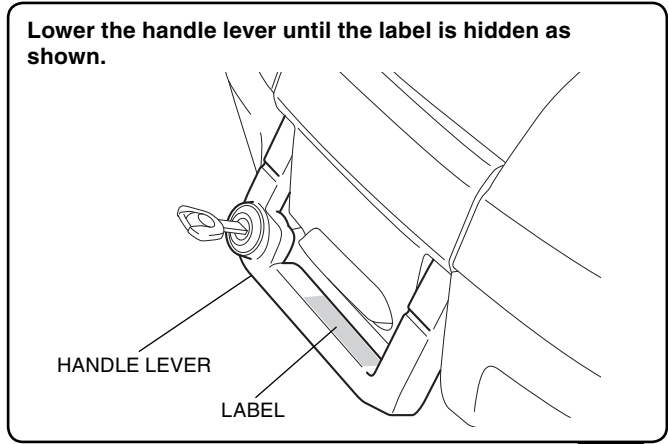
HANDLE LEVER
Install the rear trunk with the handle lever raised.



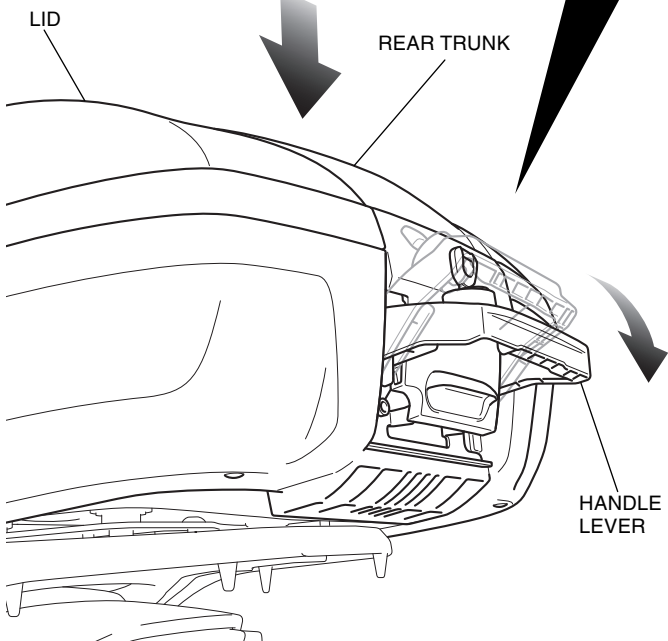
- Position the lock with the hole of rear carrier base as shown.



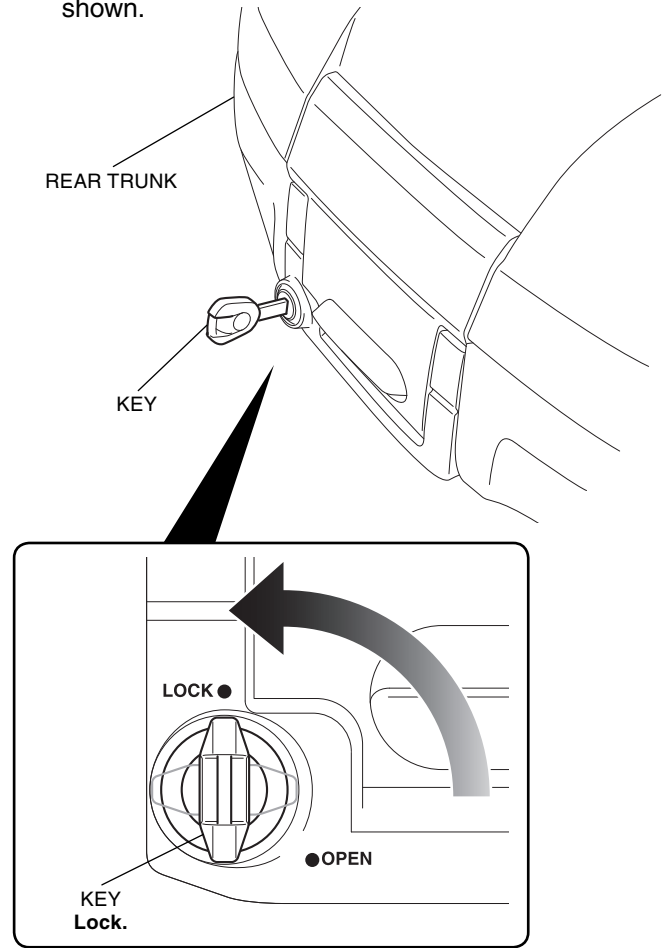
- Hold the lid of the rear trunk, lower the handle lever, and install it.



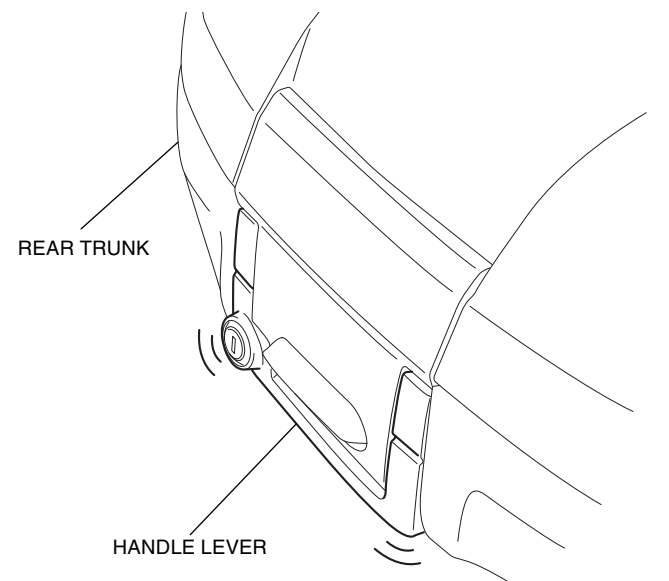
Hold the lid.



- Lock the rear trunk by turning the key in the direction shown.



- Remove the key, check the handle lever does not lift, and install it securely.
 - The rear trunk can come off while riding unless it is mounted securely.**



How to Remove the Rear Trunk

- Remove the rear trunk in the reverse order of installation.