

HONDA

INSTALLATION INSTRUCTIONS

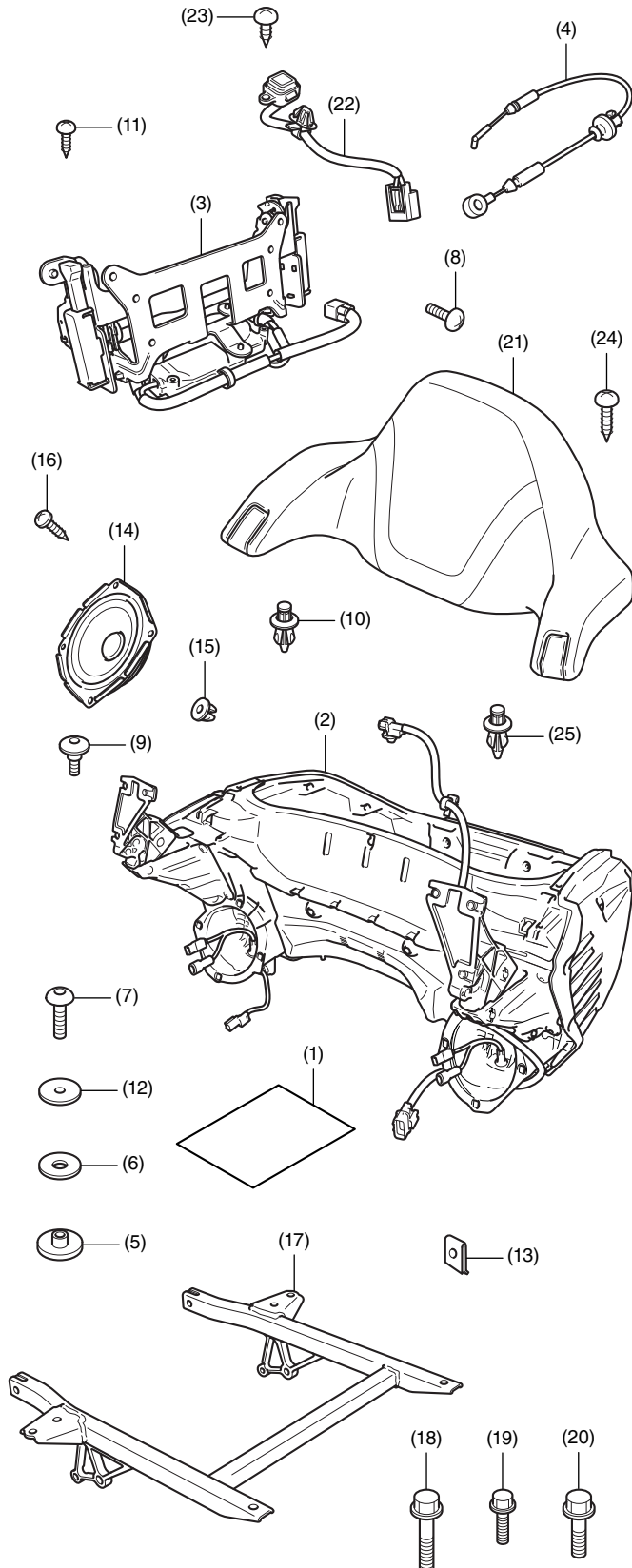
Accessory
TRUNK INSTALLATION KIT
P/N 08L73-MKC-A10ZA

Application
GL1800B/BD

Publication No.
MII 16426
 Issue Date
REVISED
February 2018

Honda Dealer: Please give a copy of these instructions to your customer.

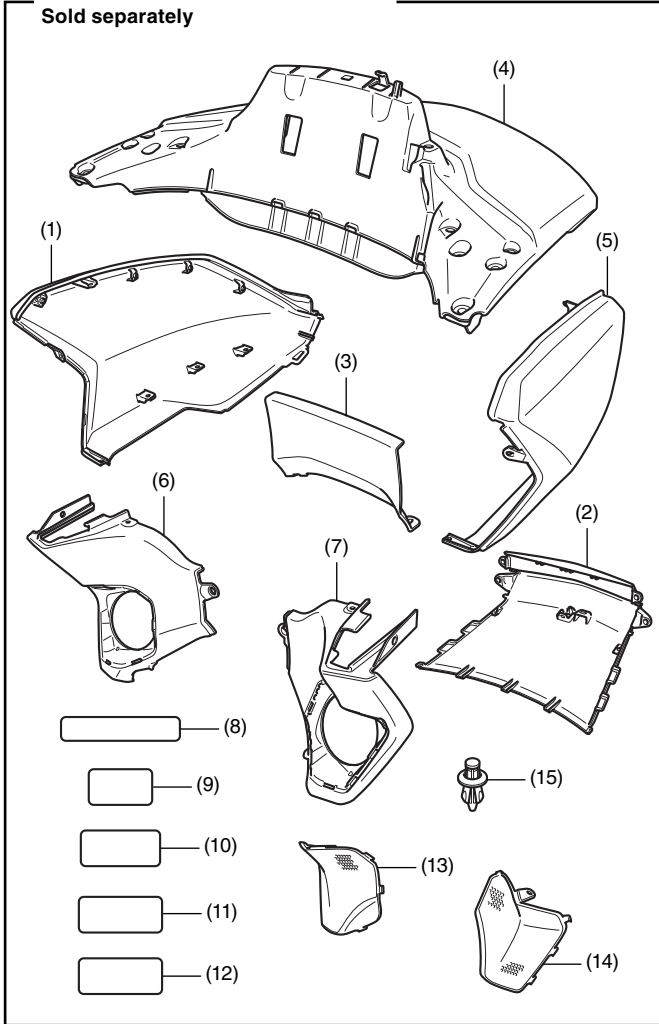
PARTS LIST



No.	Description	Qty
(1)	Installation Instructions URL	1
(2)	Trunk sub assembly	1
(3)	Trunk catch	1
(4)	Emergency trunk cable	1
(5)	Collar	4
(6)	Rubber washer	4
(7)	6 mm bolt	4
(8)	5 mm screw	4
(9)	6 mm screw	6
(10)	Clip (short)	4
(11)	5 mm tapping screw (short) (Head: thin)	24
(12)	Washer	4
(13)	Spring nut	4
(14)	Speaker unit	2
(15)	Screw grommet	8
(16)	5 mm tapping screw (short) (Head: thick)	8
(17)	Stay	1
(18)	8 mm flange bolt (long)	2
(19)	6 mm flange bolt	2
(20)	8 mm flange bolt (short)	2
(21)	Backrest	1
(22)	Trunk open switch	1
(23)	3 mm screw	1
(24)	5 mm tapping screw (long)	6
(25)	Clip (long)	2

TRUNK INSTALLATION COLOR KIT

Sold separately



No.	Description	Qty
(1)	Right trunk side cover	1
(2)	Trunk center lower cover	1
(3)	Trunk front lower panel	1
(4)	Trunk lid	1
(5)	Trunk left side cover	1
(6)	Trunk right front cover	1
(7)	Trunk left front cover	1
(8)	Label (MK5-310)	1
(9)	Label (MZ3-621)	1
(10)	Label (MCA-B31)	1
(11)	Label (MCA-G61)	1
(12)	Label (MCA-K00)	1
(13)	Right rear speaker cover	1
(14)	Left rear speaker cover	1
(15)	Clip	2

TOOLS AND SUPPLIES REQUIRED

Socket (10 and 12 mm)

Ratchet

Hex wrench (5 mm)

Phillips screwdriver

Isopropyl alcohol

Shop towel

Torque wrench

TORQUE CHART

Tighten all screws, bolts, and nuts to their specified torque values. Refer to the Service Manual for the torque values of the removed parts.

Item	N·m	kgf·m	lbf·ft
5 mm screw	4.2	0.4	3.1
5 mm tapping screw	4.2	0.4	3.1
6 mm screw	9.0	0.9	6.6
6 mm bolt	10	1.0	7
6 mm flange bolt	12	1.2	9
8 mm flange bolt	27	2.8	20

MAXIMUM LOADING CAPACITY

- The weight of the cargo must not exceed the following maximum loading capacity:

Maximum Loading Capacity	
Trunk	20.0 lb (9.0 kg)

INSTALLATION

▲ CAUTION

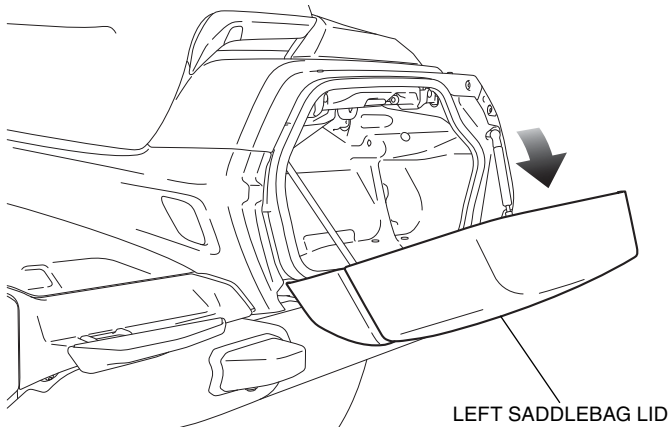
- To prevent burns, allow the engine, exhaust system, radiator, etc., to cool before installing the accessory.

NOTE:

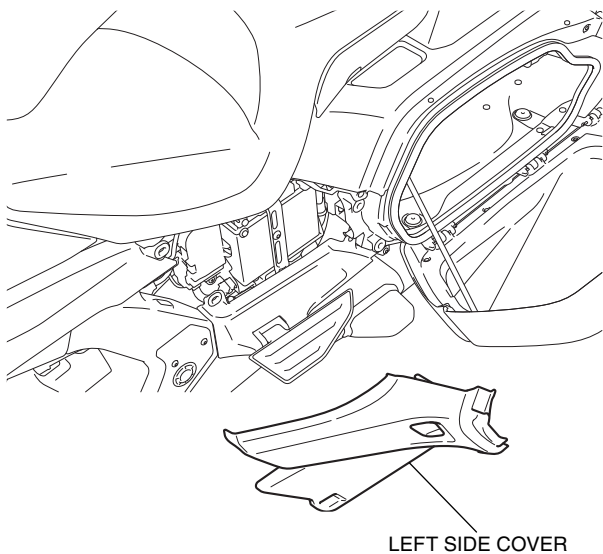
- Heat the bonding surfaces with a hair dryer if the ambient air temperature is below 70°F (21°C).
- The adhesive reaches full strength in 72 hours. Wait at least 24 hours before riding your motorcycle.
- Disconnect the negative (-) cable from the battery before installing this accessory.
- The memory of the clock will be erased when you disconnect the battery. Reset the clock after reconnecting the battery.
- Reinstall the removed parts on the motorcycle and make sure that the wires and harnesses are not pinched.

1. Open the left saddlebag lid as shown.
 - Repeat on the right side.

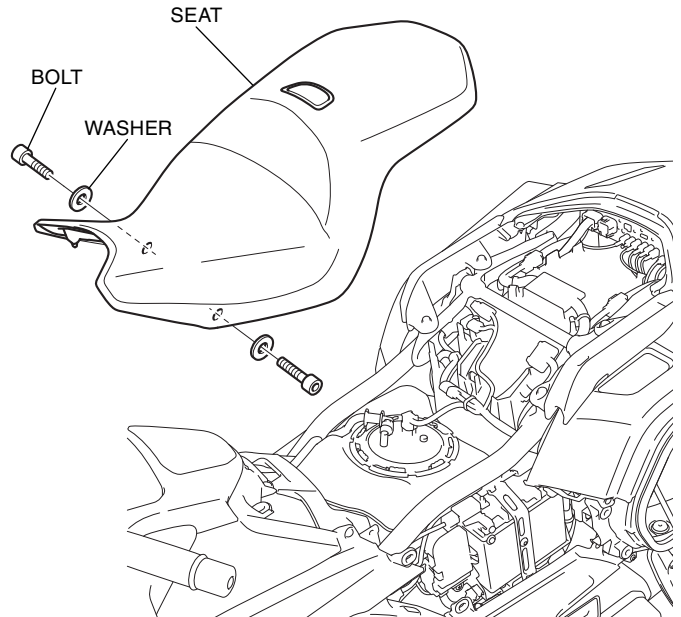
<Left side>



2. Remove the left side cover as shown, and disconnect the negative (-) cable of the battery.

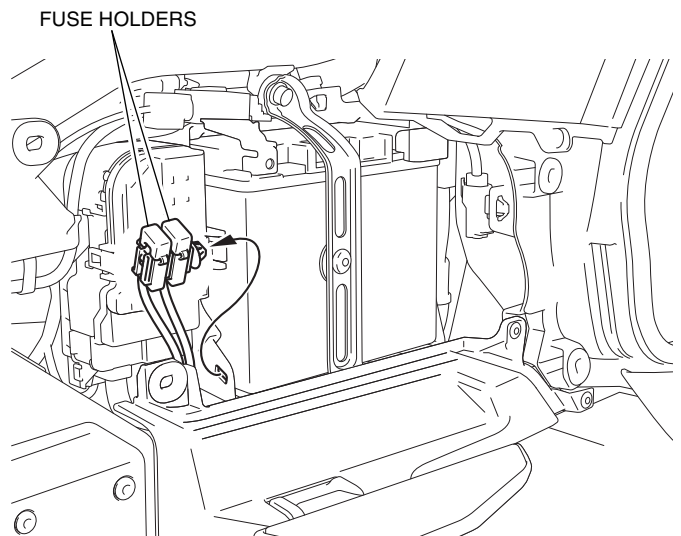


3. Remove the right side cover in the same manner as the left side.
4. Remove the seat as shown.

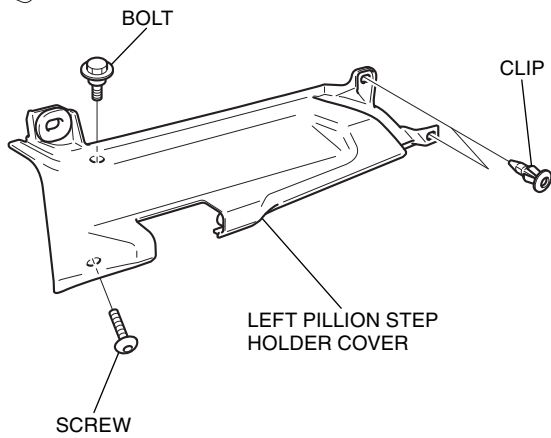
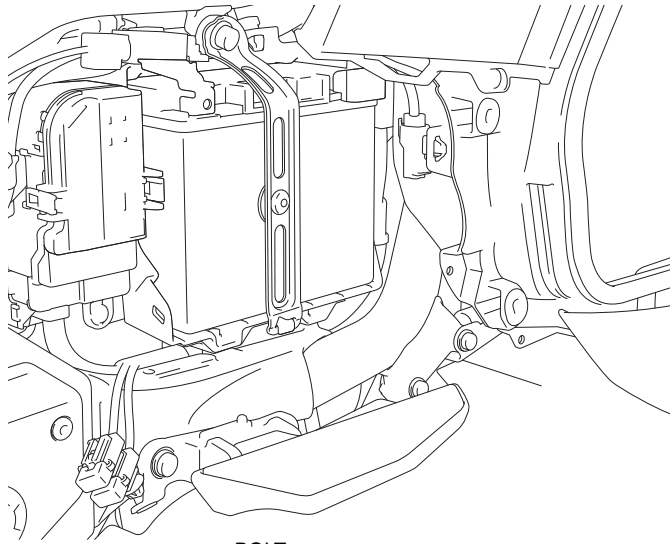


5. Remove the fuse holders as shown.

<Left side>

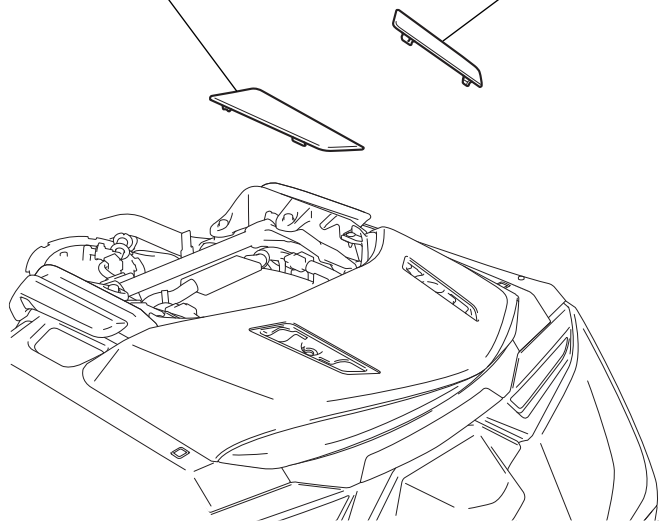


6. Remove the left pillion step holder cover as shown.
- Repeat on the right side.

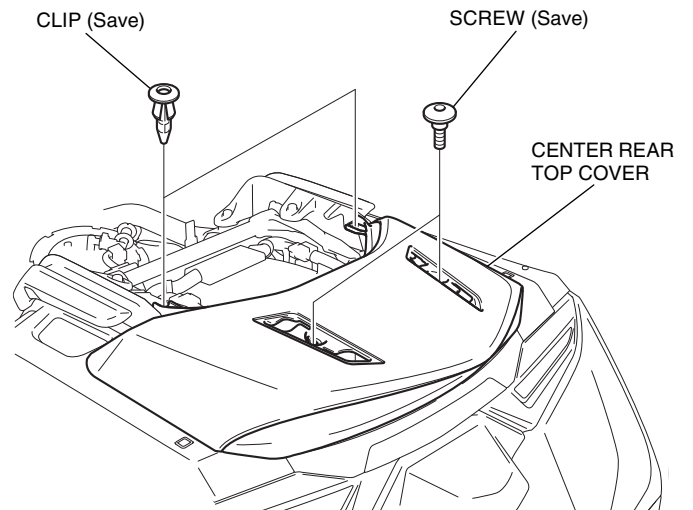


7. Remove the right and left rear top lid as shown.

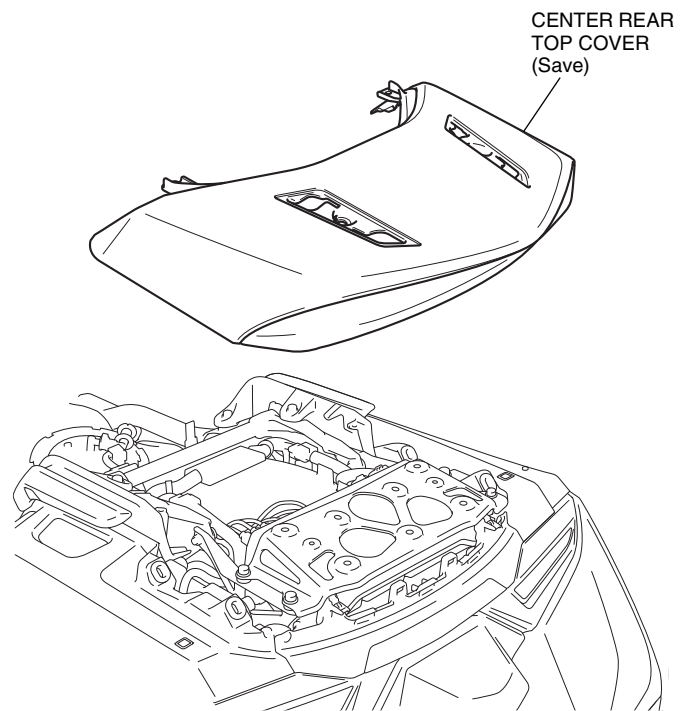
LEFT REAR TOP LID (Save) RIGHT REAR TOP LID (Save)



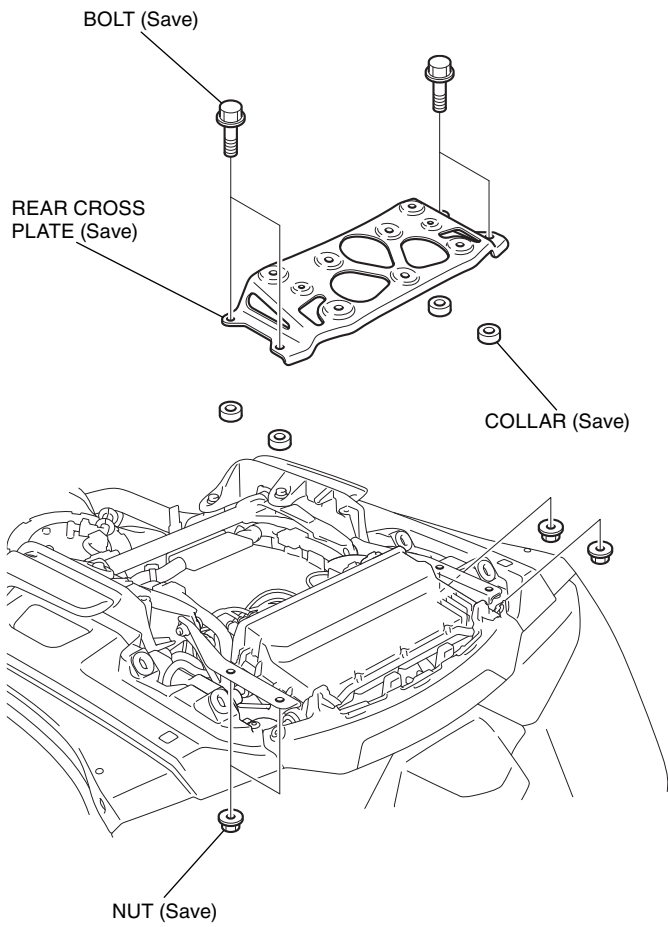
8. Remove the parts as shown.



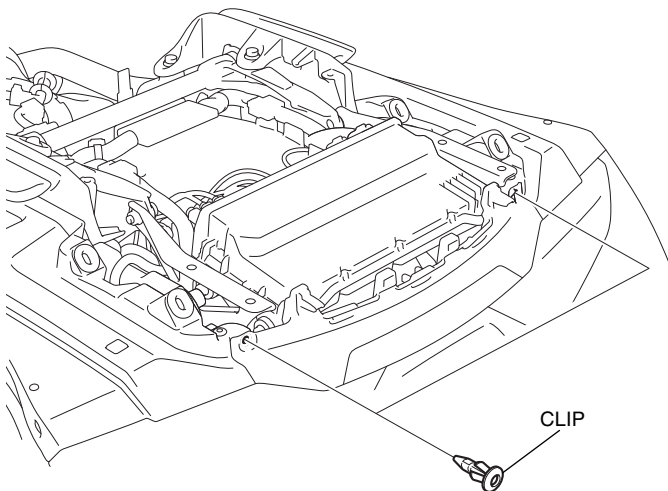
9. Remove the center rear top cover as shown.



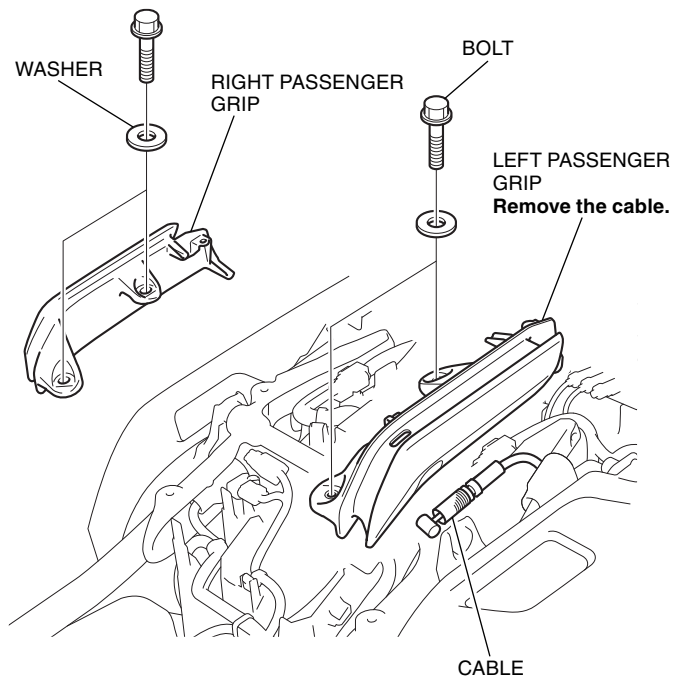
10 Remove the rear cross plate as shown.



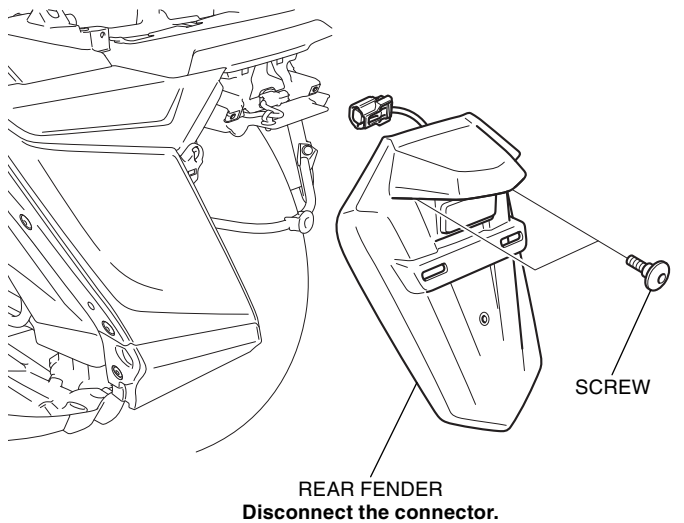
11 Remove the clips as shown.



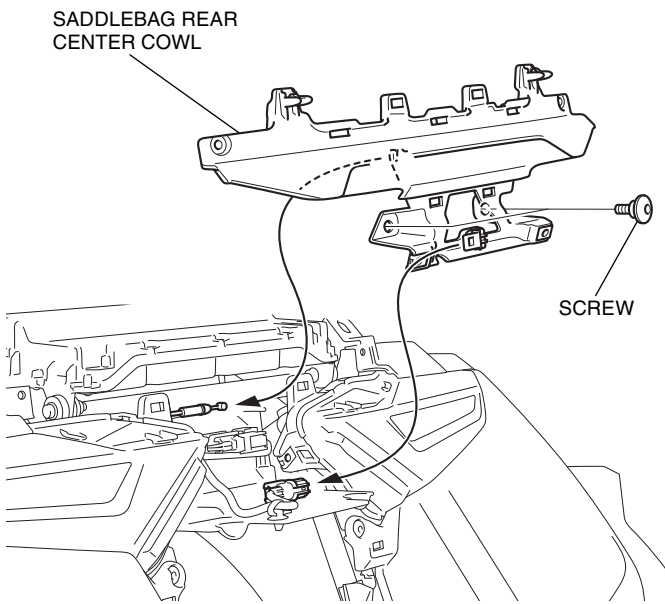
12. Remove the right and left passenger grip as shown.



13. Remove the rear fender as shown.



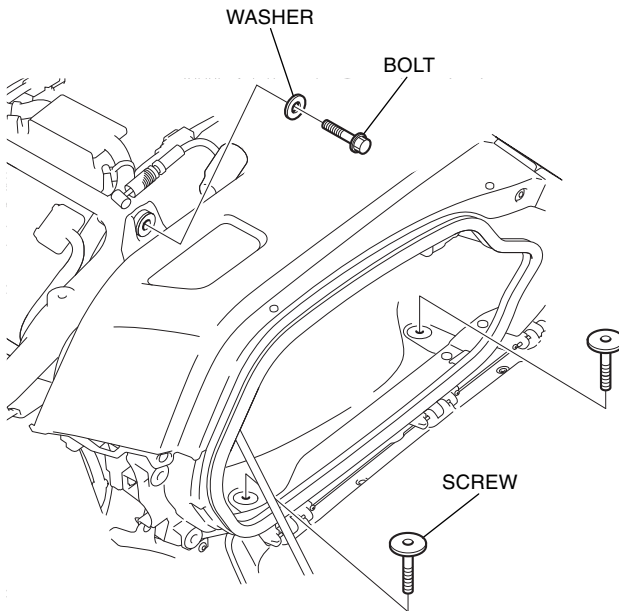
14. Remove the saddlebag rear center cowl as shown.



15. Remove the parts as shown.

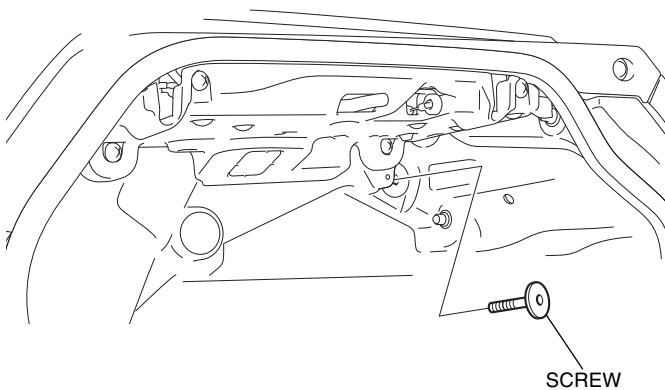
- Repeat on the right side.

<Left side>



16. Remove the screw as shown.

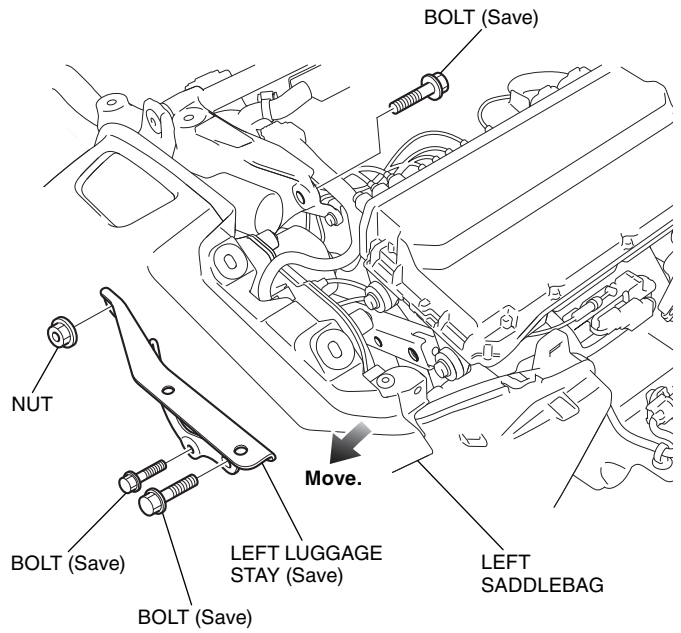
- Repeat on the right side.



17. Move the left saddlebag and remove the left luggage stay as shown.

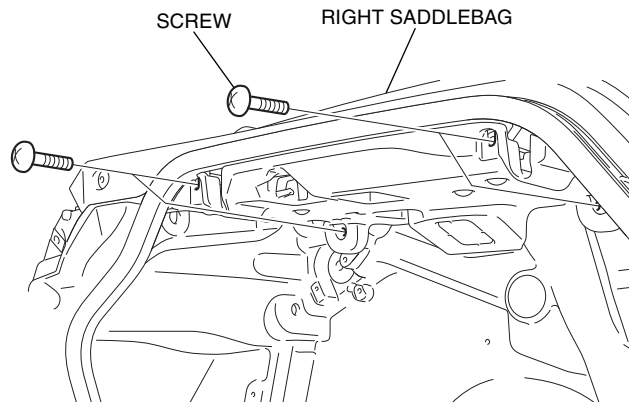
- Repeat on the right side.

<Left side>

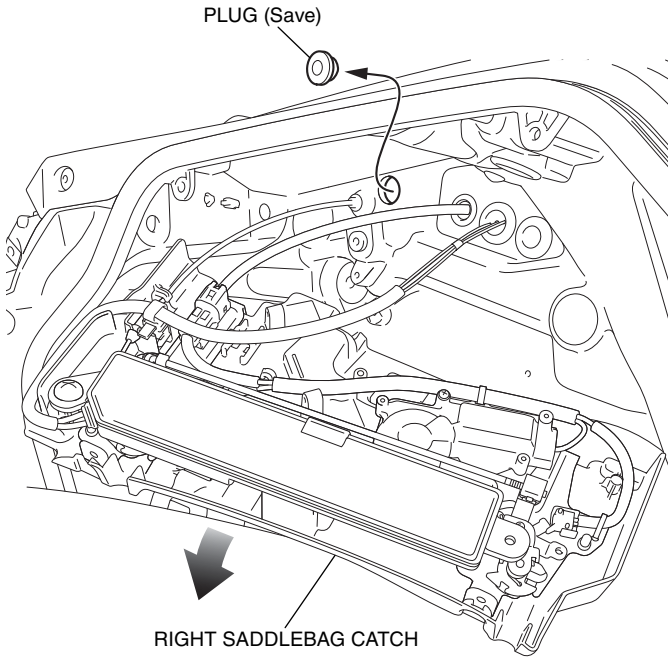


18. Remove the screws as shown.

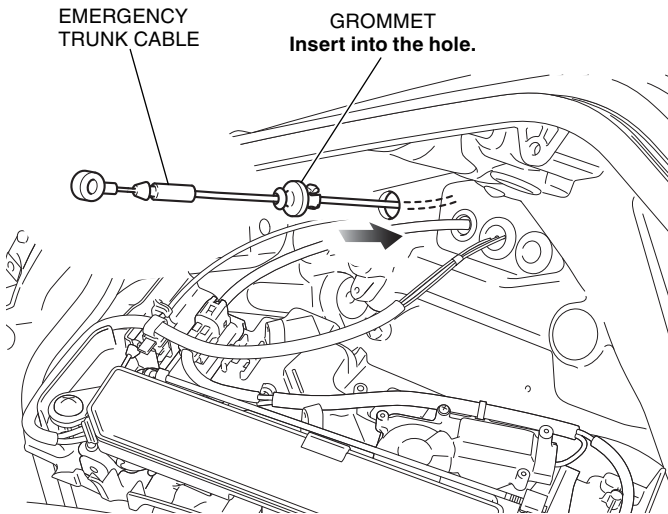
<Right side>



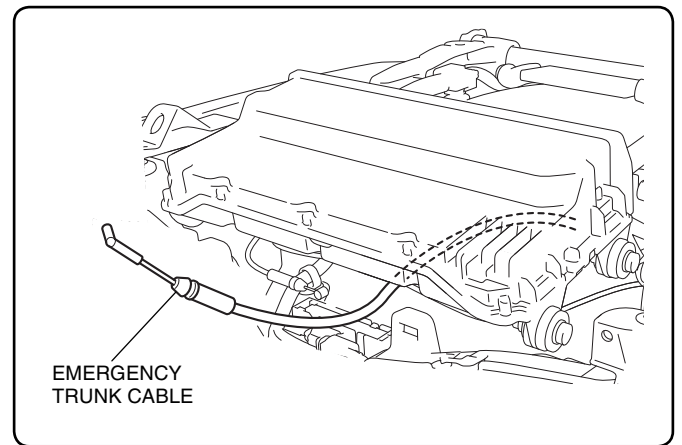
19. Move the right saddlebag catch and remove the plug as shown.



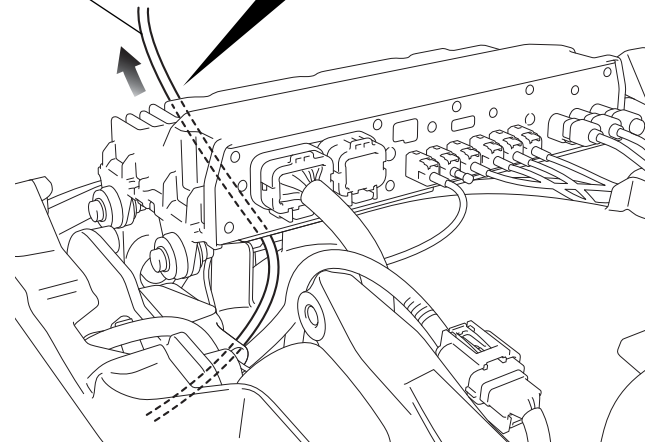
20. Install the emergency trunk cable as shown.



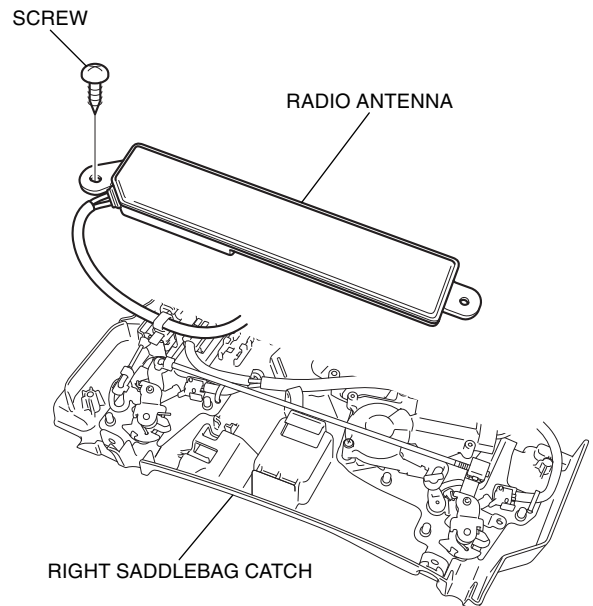
21. Route the emergency trunk cable as shown.



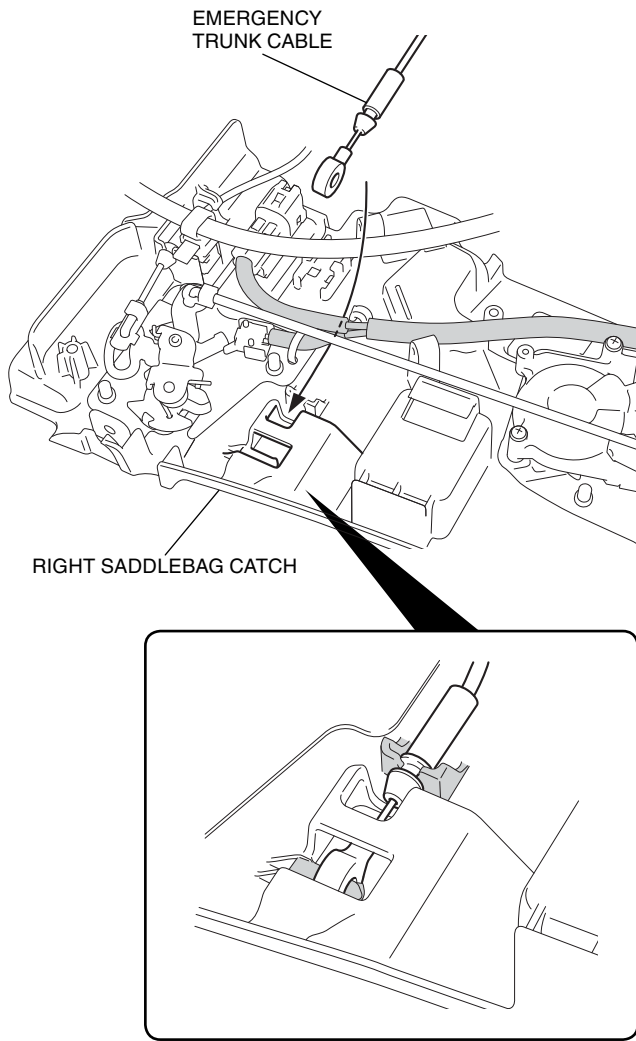
EMERGENCY TRUNK CABLE



22. Remove the radio antenna as shown.



23. Install the emergency trunk cable as shown.

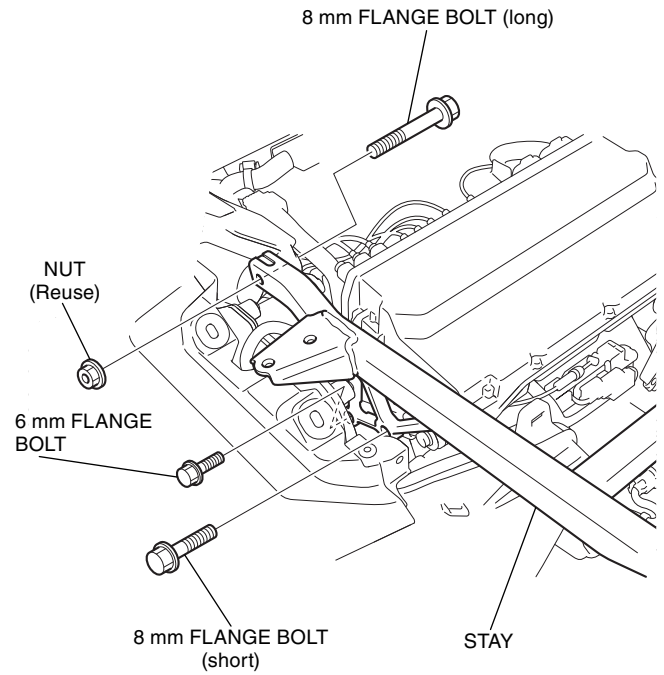


24. Install the radio antenna and right saddlebag catch in the reverse order of removal.

25. Install the stay as shown.

- Confirm that any wire harness is not caught or too tight.
- Repeat on the right side.

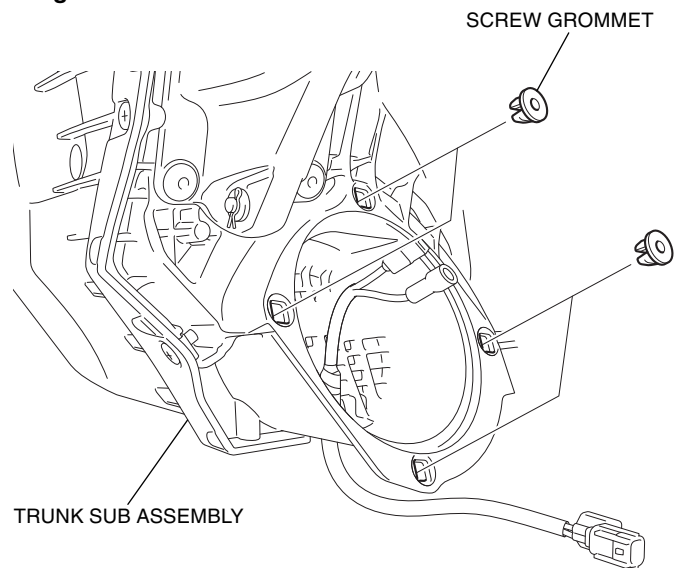
<Left side>



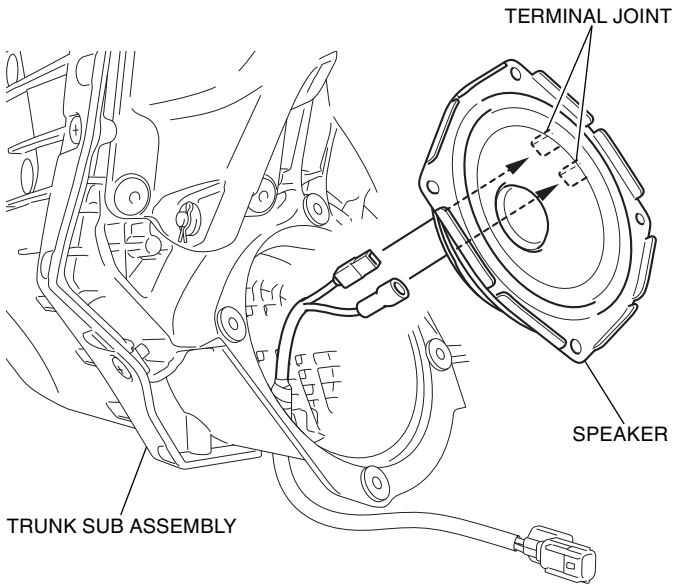
26. Install the right and left saddlebag, saddlebag rear center cowl and rear fender in the reverse order of removal.

27. Install the screw grommets as shown.

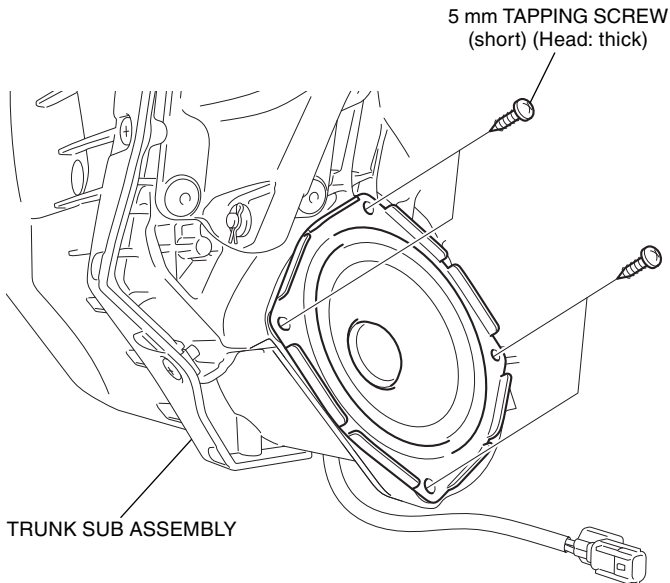
<Right side>



28. Connect the speaker as shown.

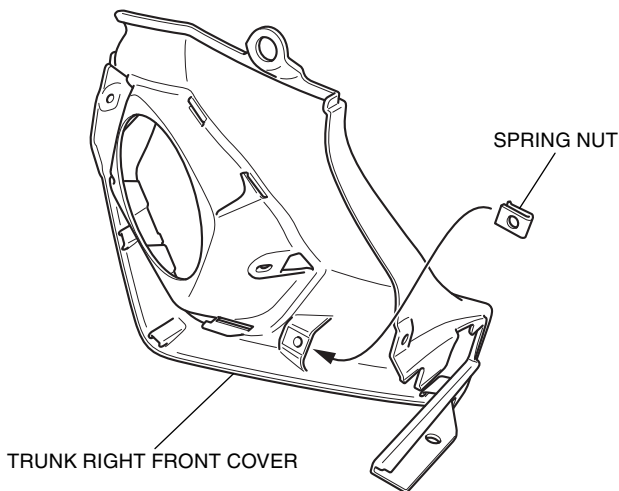


29. Install the speaker as shown.

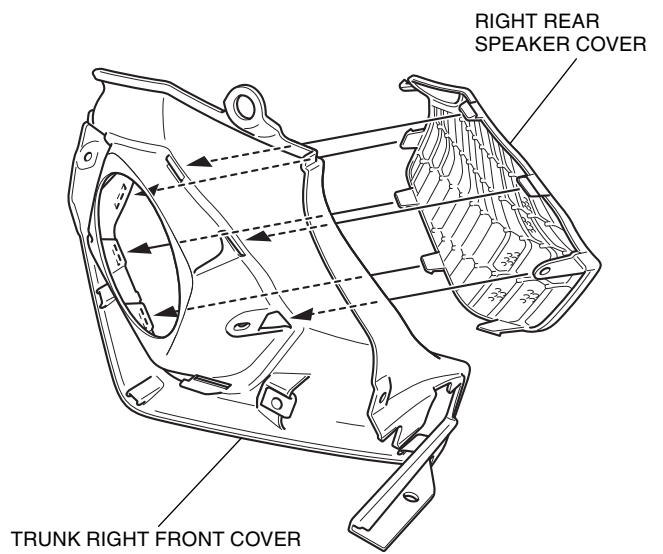


30. Install the left side speaker in the same manner as the right side.

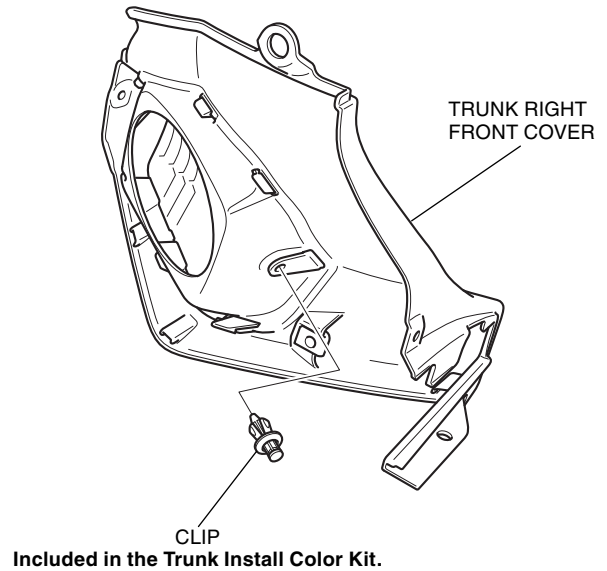
31. Install the spring nut as shown.



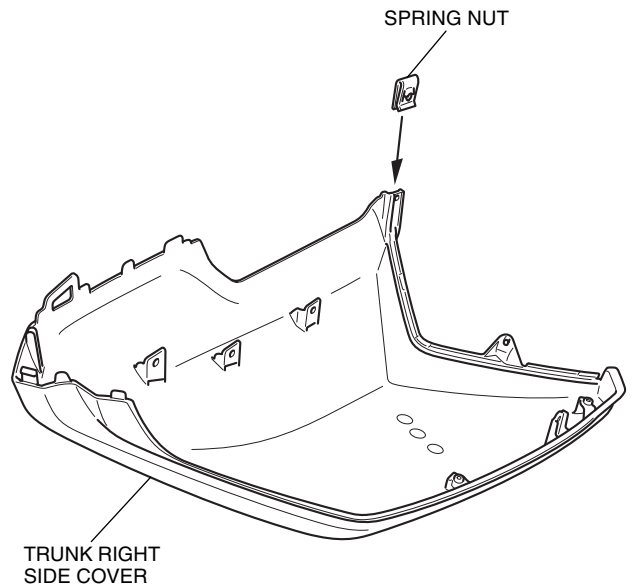
32. Install the right rear speaker cover as shown.



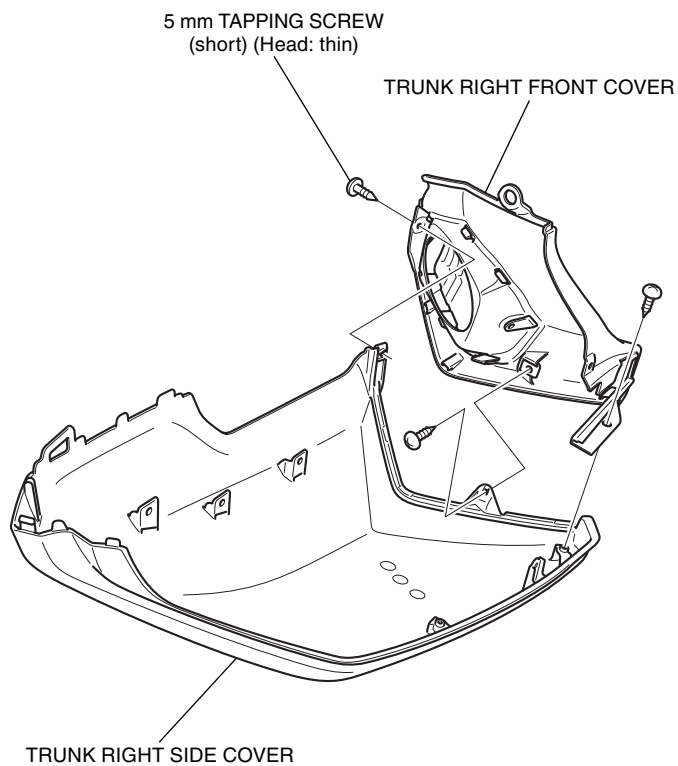
33. Install the clip as shown.



34. Install the spring nut as shown.

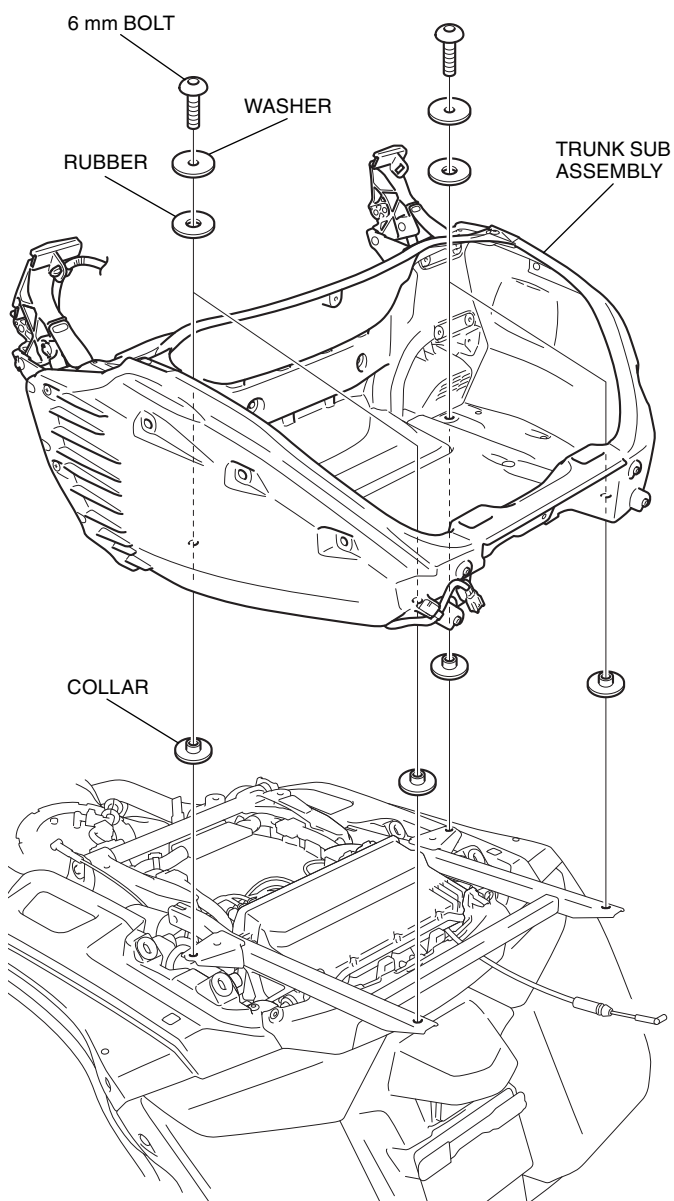


35. Install the trunk right front cover as shown.

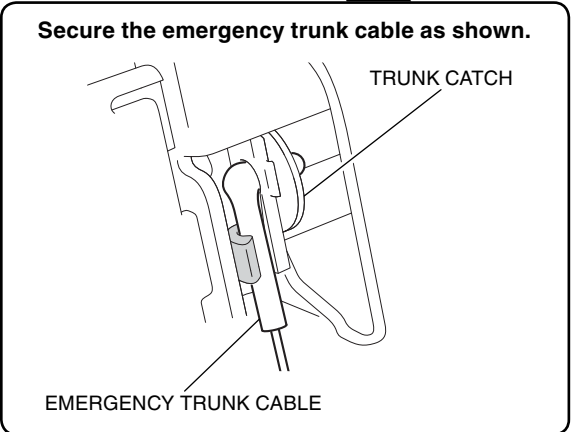
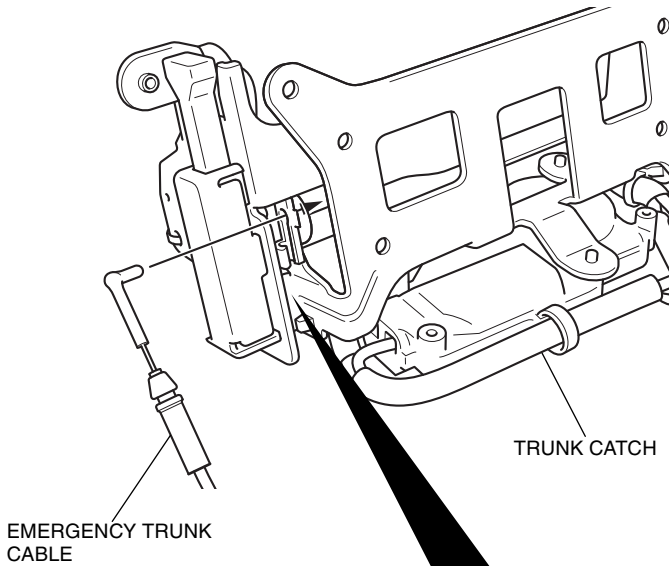


36. Install the left rear speaker cover and trunk left front cover in the same manner as the right side.

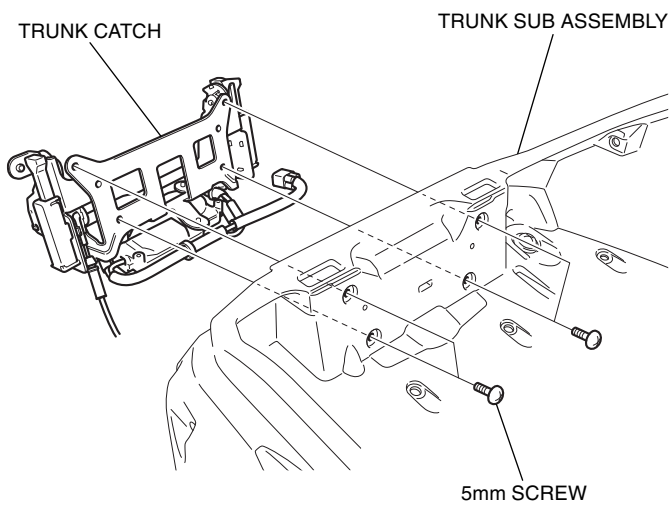
37. Install the trunk sub assembly as shown.



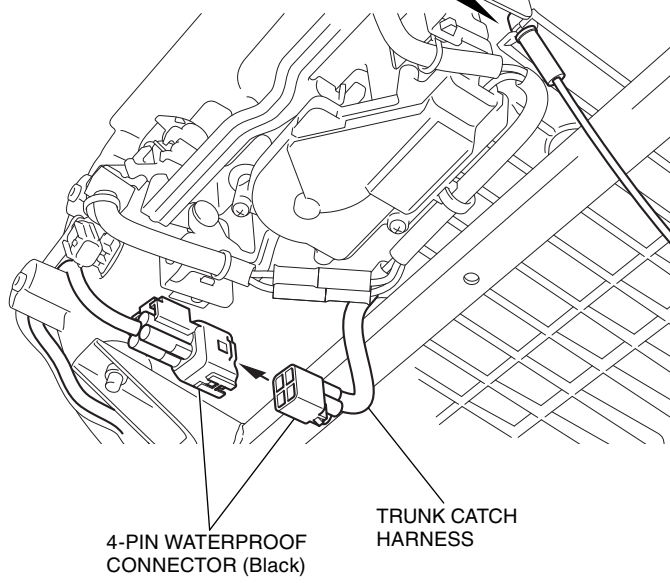
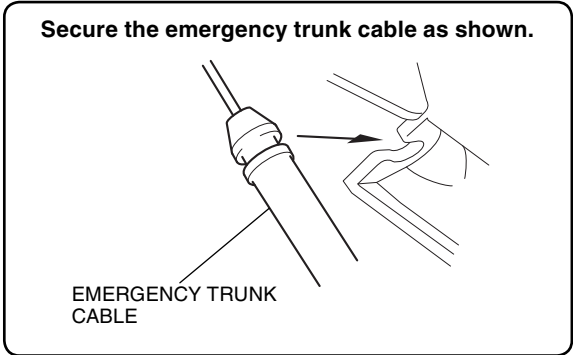
38. Install the emergency trunk cable to the trunk catch as shown.



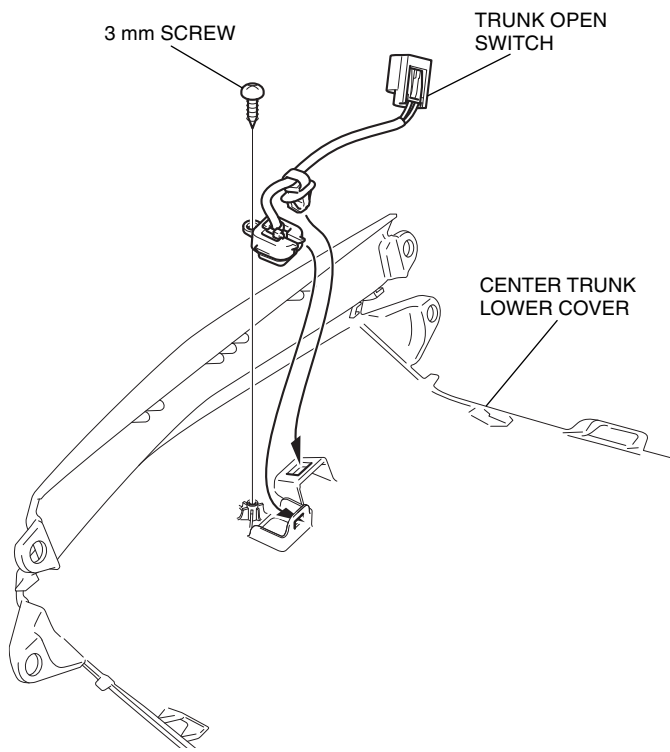
39. Install the trunk catch as shown.



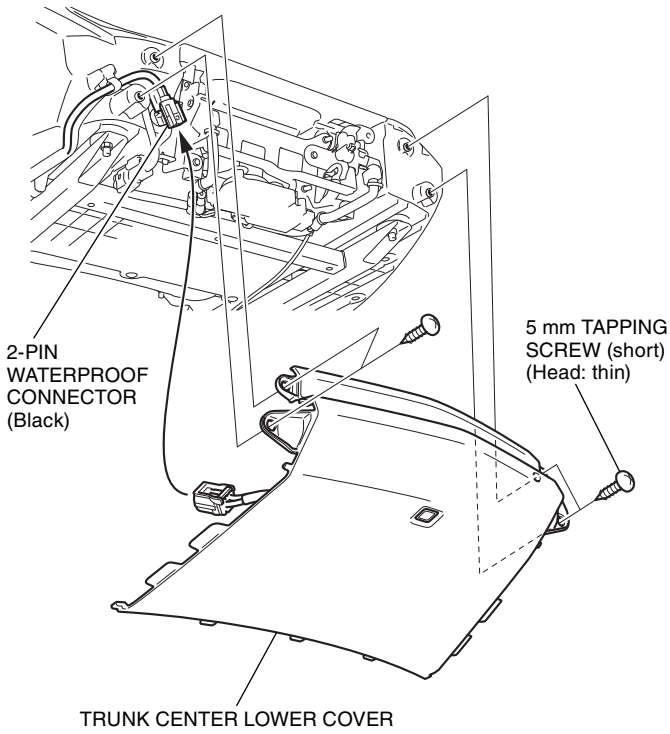
40. Connect the trunk catch harness as shown.



41. Install the trunk open switch as shown.

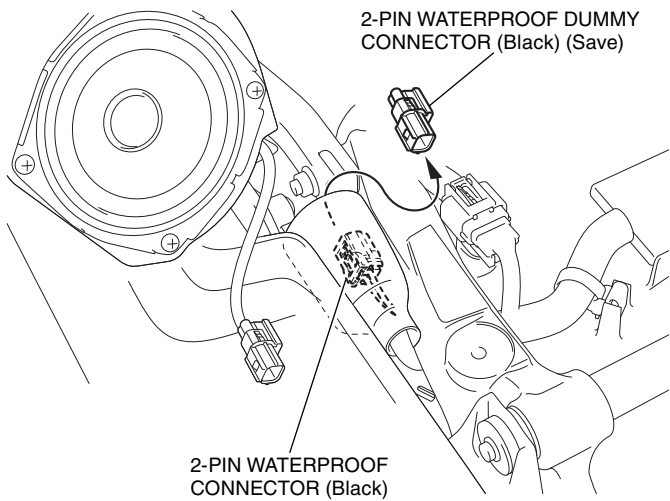


42. Connect the 2P black connector and install the trunk center lower cover as shown.

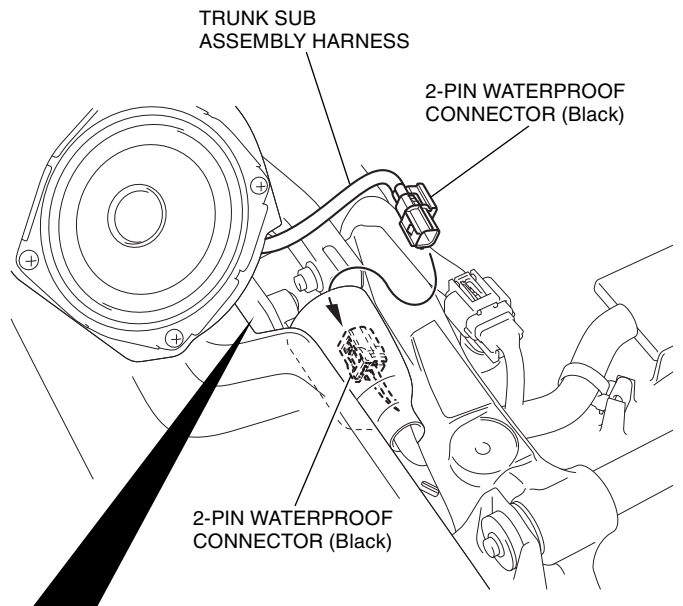


43. Remove the dummy connector as shown.

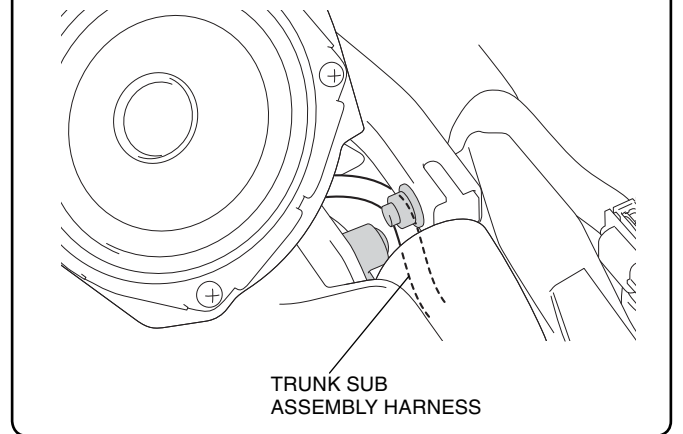
<Right side>



44. Connect the connector as shown.

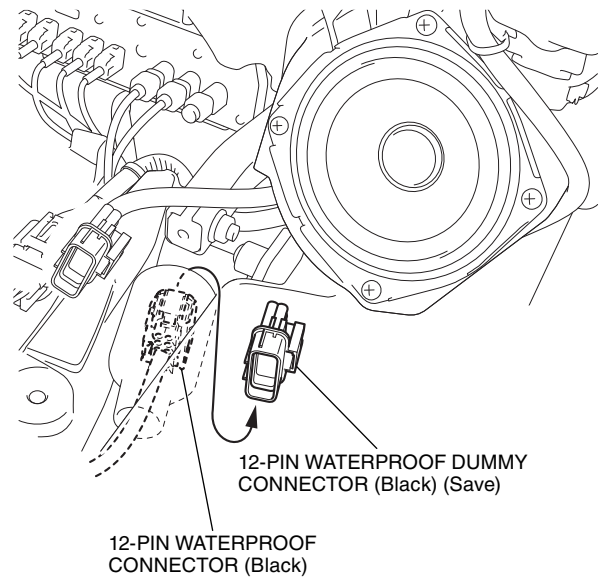


Route the trunk sub assembly harness as shown.

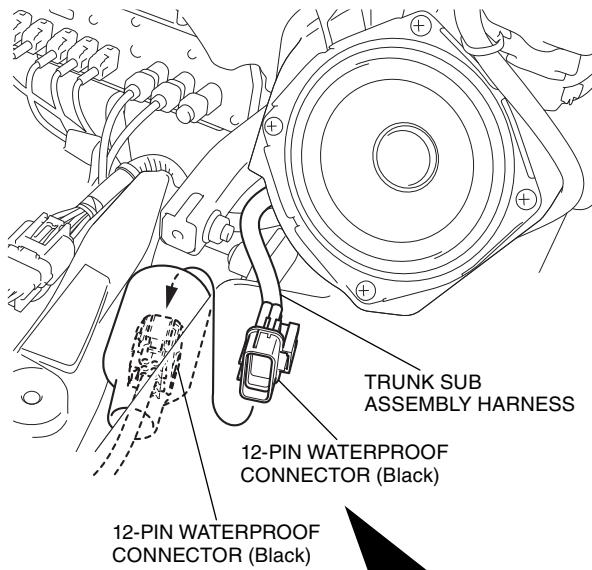


45. Remove the dummy connector as shown.

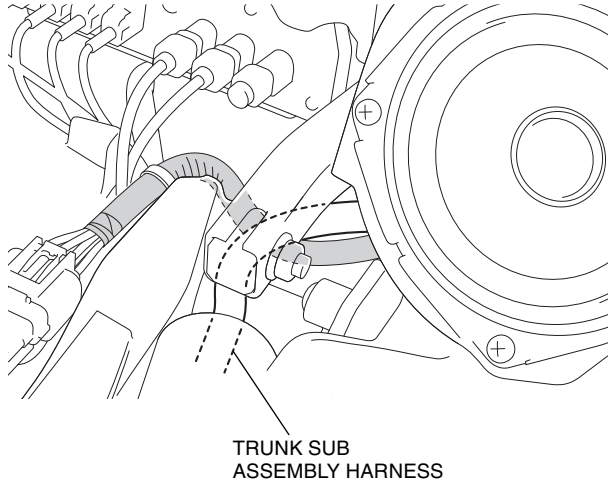
<Left side>



46. Connect the connector as shown.



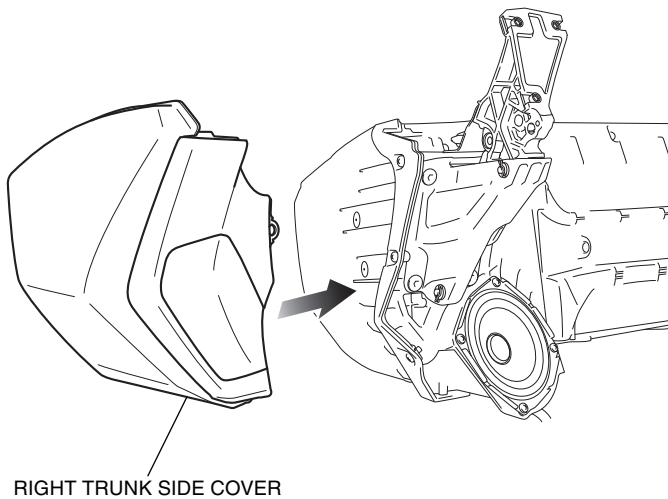
Route the trunk sub assembly harness as shown.



47. Install the right trunk side cover as shown.

- Repeat on the left side.

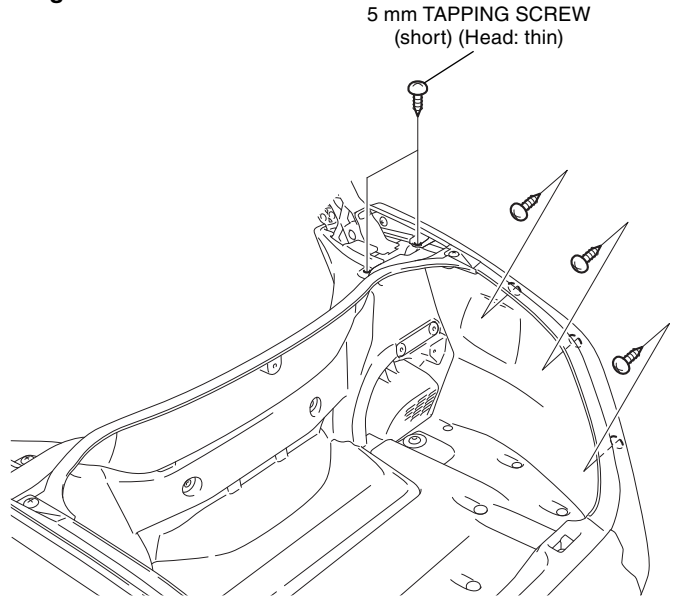
<Right side>



48. Install the 5 mm tapping screws as shown.

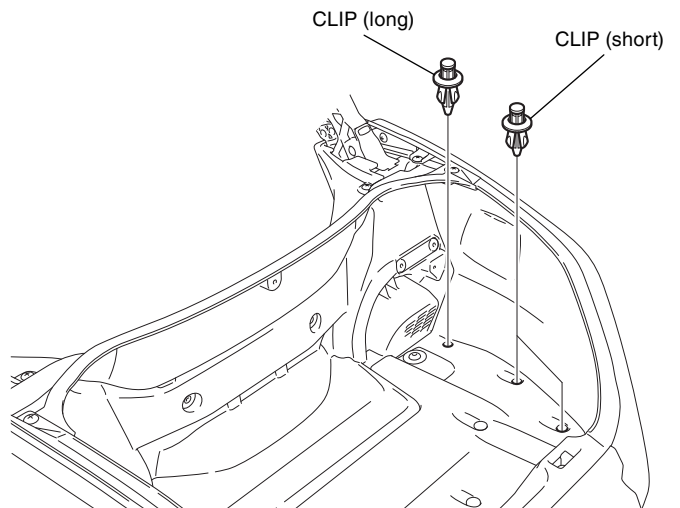
- Repeat on the left side.

<Right side>



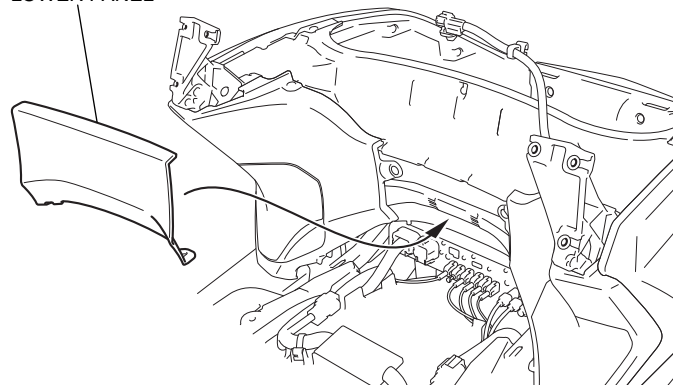
49. Install the clips as shown.

- Repeat on the left side.

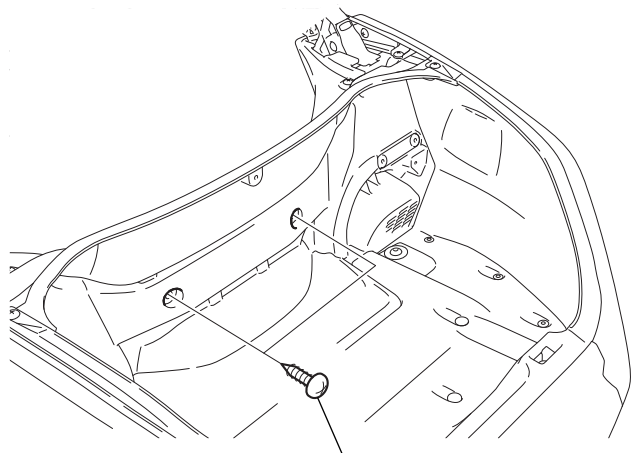


50. Install the trunk front lower panel as shown.

TRUNK FRONT LOWER PANEL

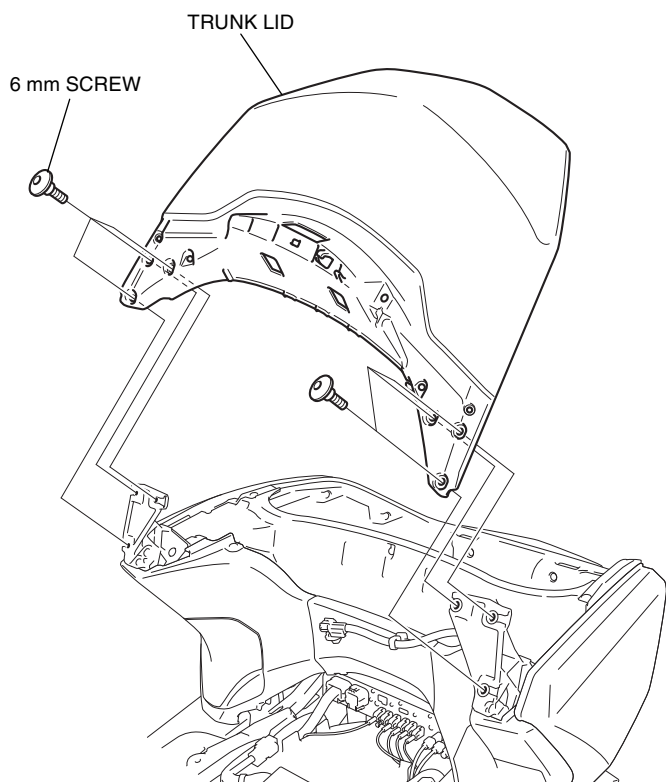


51. Install the 5 mm tapping screws as shown.



5 mm TAPPING SCREW
(short) (Head: thin)

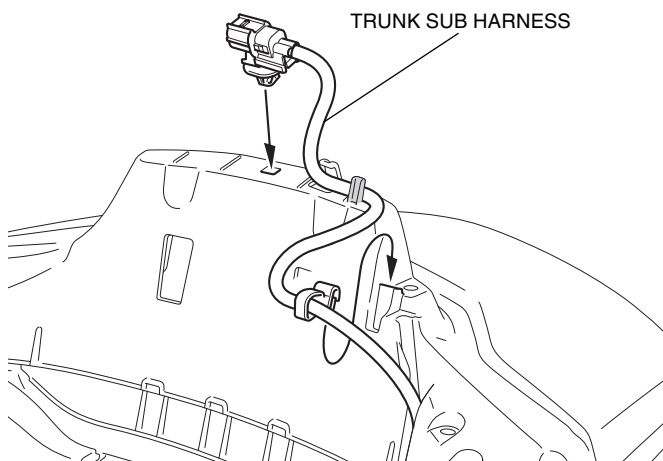
52. Install the trunk lid as shown.



6 mm SCREW
TRUNK LID

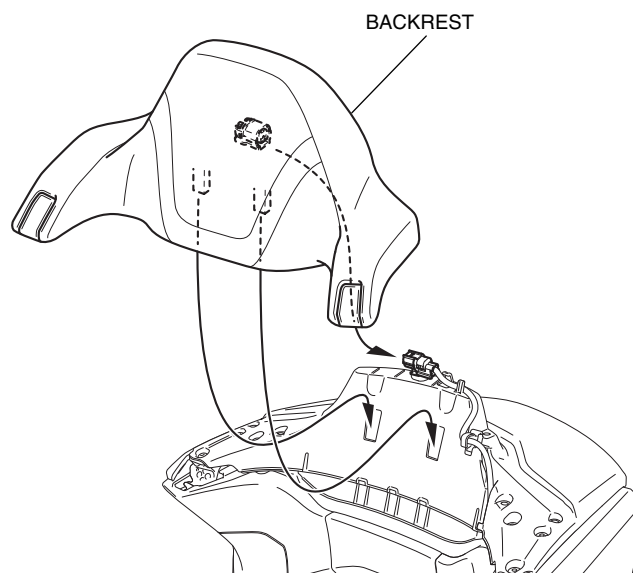
53. Close the trunk lid.

54. Route and secure the trunk sub harness as shown.



TRUNK SUB HARNESS

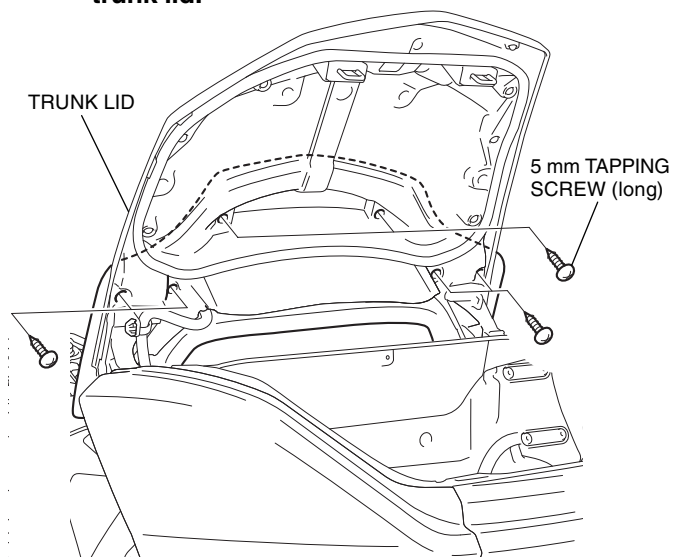
55. Connect and install the backrest as shown.



BACKREST

56. Install the 5 mm tapping screws as shown.

- Refer to the motorcycle Owner's Manual and use the emergency trunk cable to open the trunk lid.



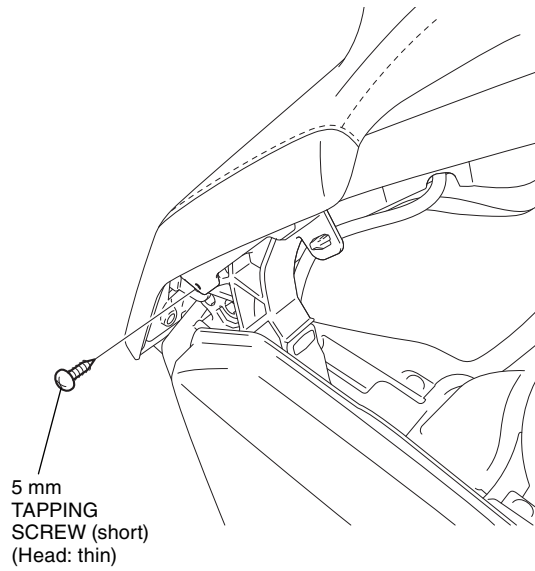
TRUNK LID

5 mm TAPPING SCREW (long)

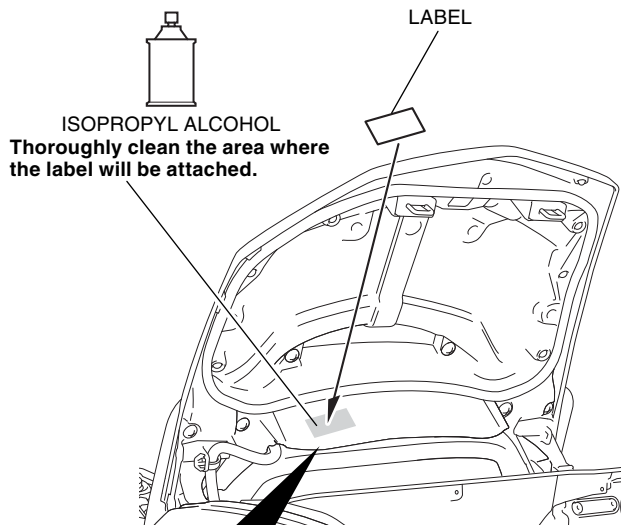
57. Install the 5 mm tapping screw as shown.

- Repeat on the right side.

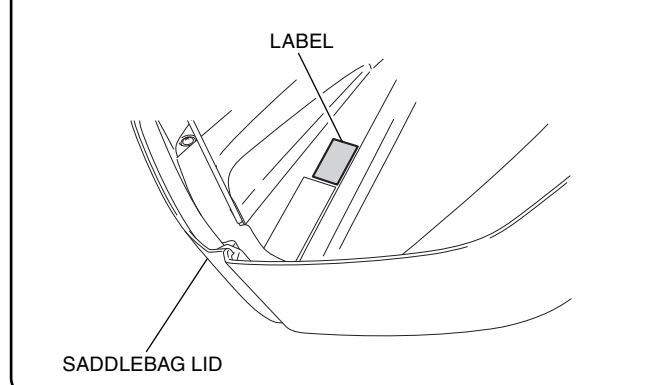
<Left side>



58. Attach the label as shown.



Select and attach the same label to the saddle bag lid.



59. Install the motorcycle's parts in the reverse order of removal.

- Confirm that any wire harness is not caught or too tight.

60. Check the speaker, trunk open switch, headlight and the other lights for proper operation.