

HONDA

INSTALLATION INSTRUCTIONS

Accessory

REAR TRUNK BASE
P/N 08L73-MJN-D00

Application

CTX1300/D

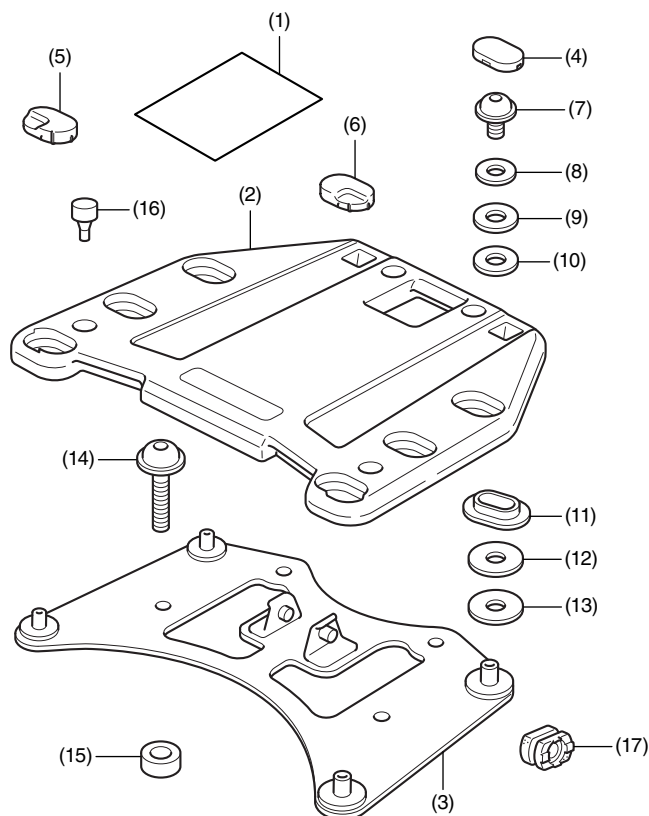
Publication No.

MII 14925

Issue Date

April 2014

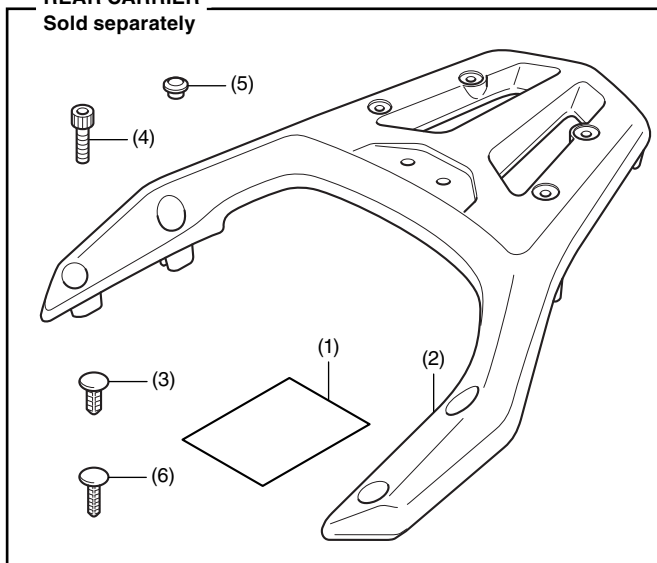
PARTS LIST



No.	Description	Qty
(1)	Installation Instruction URL	1
(2)	Rear carrier base	1
(3)	Carrier bracket	1
(4)	Cap	4
(5)	Right cap	1
(6)	Left cap	1
(7)	6 mm socket screw	4
(8)	Washer (Black)	4
(9)	Rubber washer (small)	4
(10)	Plastic washer (Black)	4
(11)	Slide washer	4
(12)	Plastic washer (White)	4
(13)	Rubber washer (large)	4
(14)	8 mm socket screw	4
(15)	Collar	4
(16)	Rubber cushion	4
(17)	Grommet	2

REAR CARRIER

Sold separately



No.	Description	Qty
(1)	Installation Instruction URL	1
(2)	Rear carrier	1
(3)	Clip (wide)	2
(4)	8 mm socket bolt	4
(5)	Cap	4
(6)	Clip (narrow) (Not used.)	4

TOOLS REQUIRED

Hex wrench (4 and 5 mm)

Torque wrench

TORQUE CHART

Tighten all screws, bolts, and nuts to their specified torque values. Refer to the Service Manual for the torque values of the removed parts.

Item	N-m	kgf-m	lbf-ft
6 mm socket screw	10	1.0	7
8 mm socket screw	22	2.2	16

MAXIMUM LOADING CAPACITY

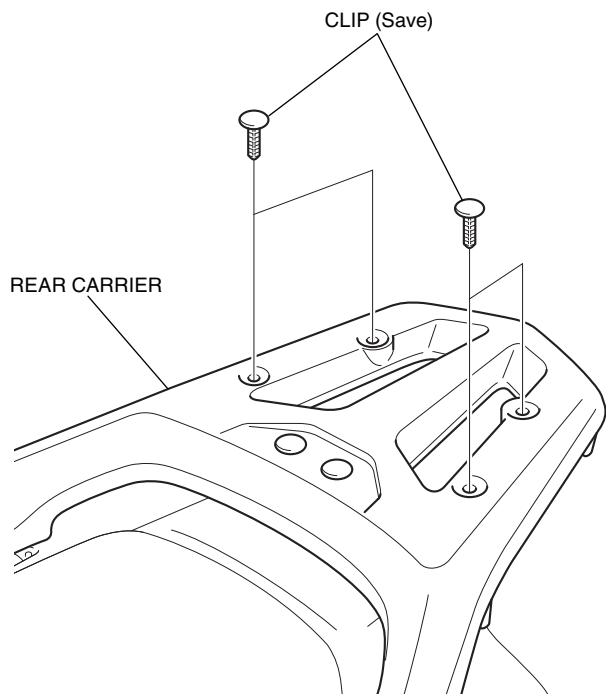
- The weight of the cargo must not exceed the following maximum loading capacity:

Maximum Loading Capacity	
Top box	4.0 kg (8.8 lb)

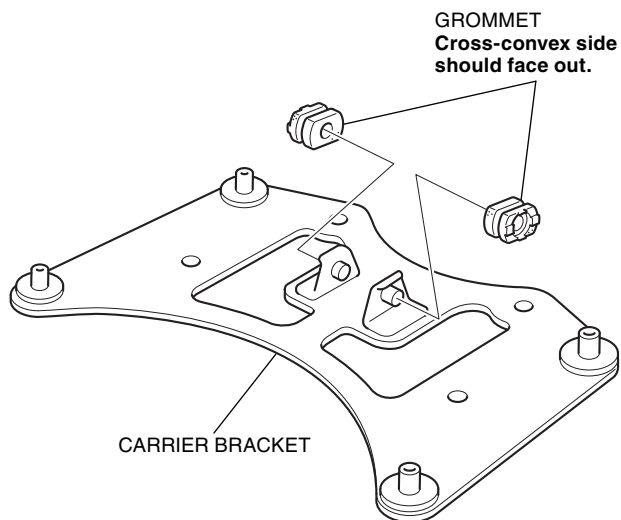
INSTALLATION

NOTE:

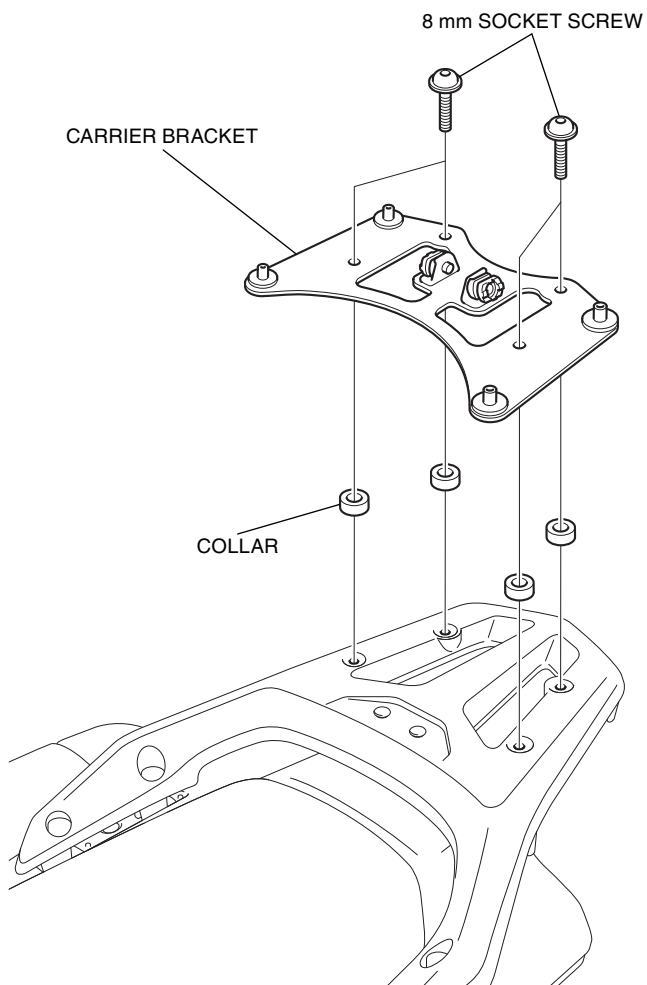
- The Rear Carrier is required for installation of this accessory.
1. Install the separately sold rear carrier.
 2. Remove the clips as shown.
 - **Perform this step if the clips are installed in the position shown.**



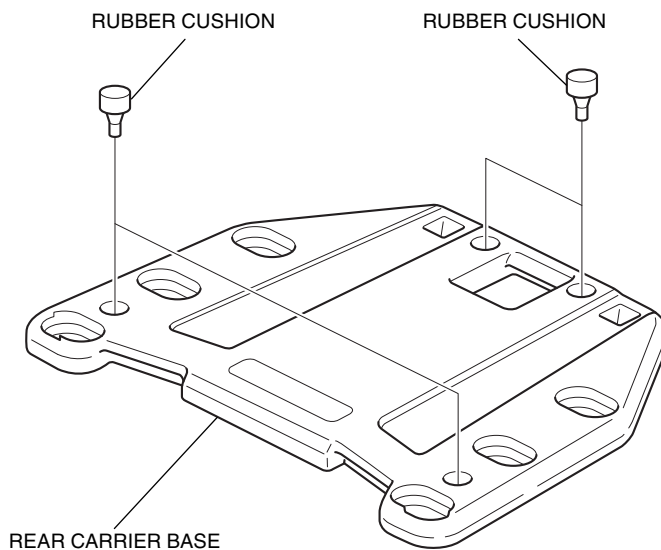
3. Install the grommets on the carrier bracket as shown.



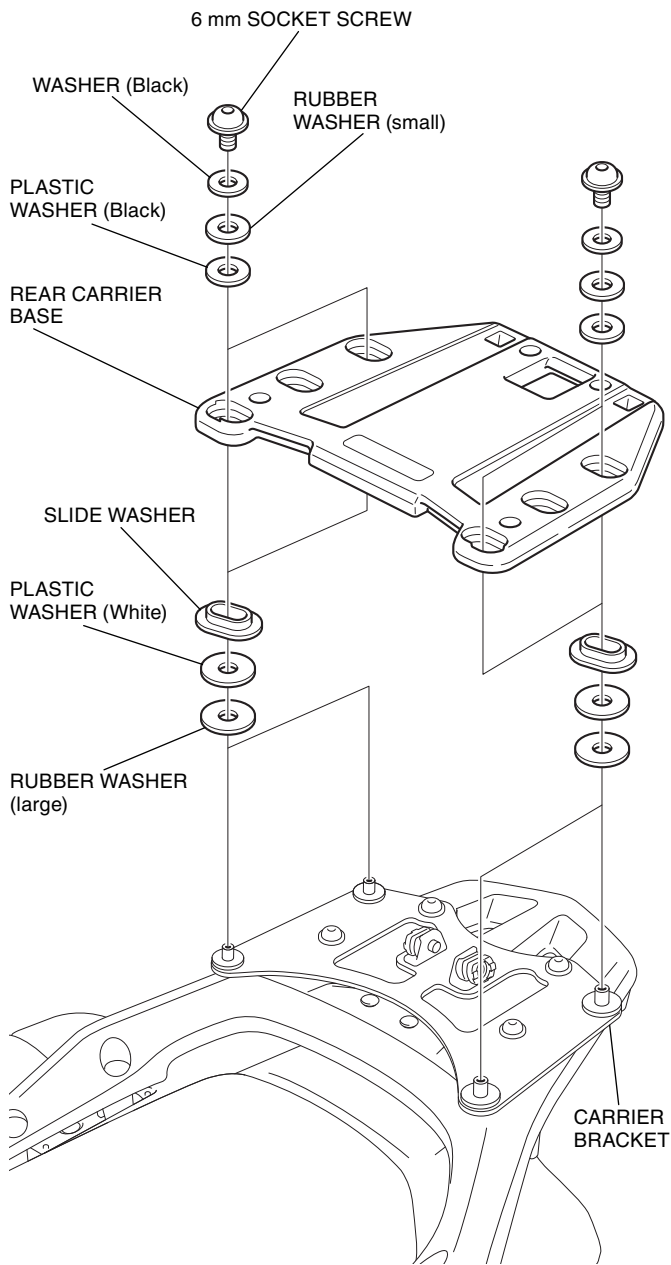
4. Install the carrier bracket as shown.



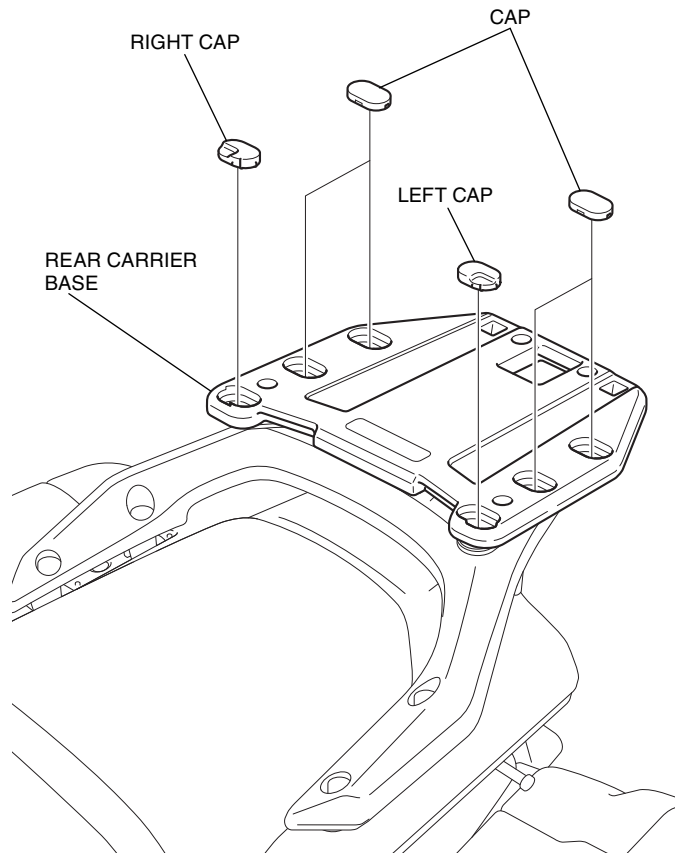
5. Install the rubber cushions on the rear carrier base as shown.



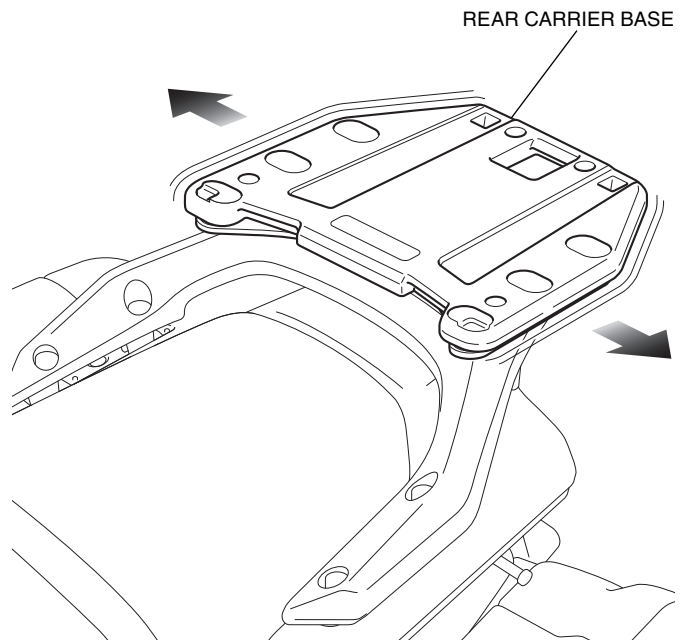
6. Install the rear carrier base as shown.



7. Install the caps as shown.



8. Be sure that the rear carrier base moves right and left smoothly as shown.



9. Refer to the Genuine Accessory User's Guide that is packaged with the rear trunk, and install the rear trunk according to the instructions.