



INSTALLATION INSTRUCTIONS

Accessory

SADDLEBAG SUPPORTS
Left: 08L74-K87-A31
Right: 08L73-K87-A31

Application

After '19
CMX300/A
CMX500/A

Publication No.

MII 17465

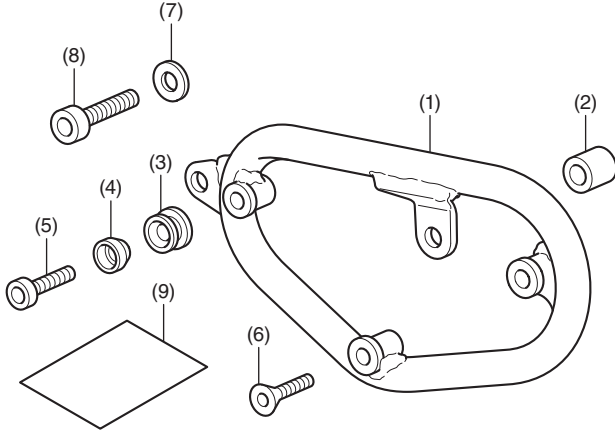
Issue Date

March 2020

Honda Dealer: Please give a copy of these instructions to your customer.

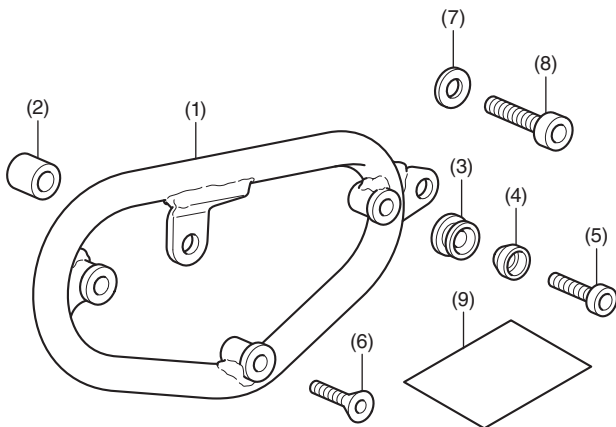
PARTS LIST

<Left saddlebag support>



No.	Description	Qty
(1)	Left bag support pipe	1
(2)	Collar	2
(3)	Guide	3
(4)	Bolt guide	1
(5)	5 mm head socket bolt (6 x 20 mm)	1
(6)	4 mm head socket bolt (6 x 20 mm)	2
(7)	Washer	2
(8)	8 mm head socket bolt (8 x 45 mm)	2
(9)	Installation Instruction URL	1

<Right saddlebag support>



No.	Description	Qty
(1)	Right bag support pipe	1
(2)	Collar	2
(3)	Guide	3
(4)	Bolt guide	1
(5)	5 mm socket bolt (6 x 20 mm)	1
(6)	4 mm socket bolt (6 x 20 mm)	2
(7)	Washer	2
(8)	8 mm head socket bolt (8 x 45 mm)	2
(9)	Installation Instruction URL	1

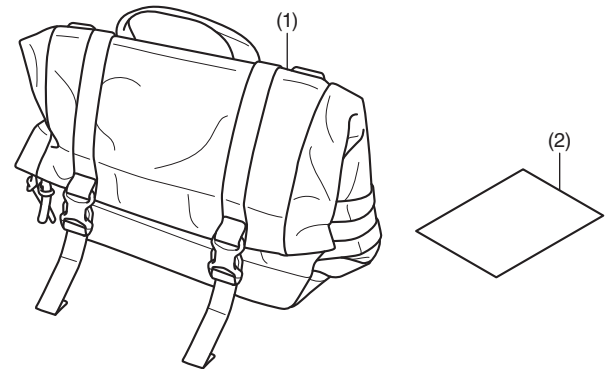
REAR CARRIER

Sold separately

- For the installation, refer to the rear carrier Installation Instructions.

LEFT SADDLEBAG (Large)

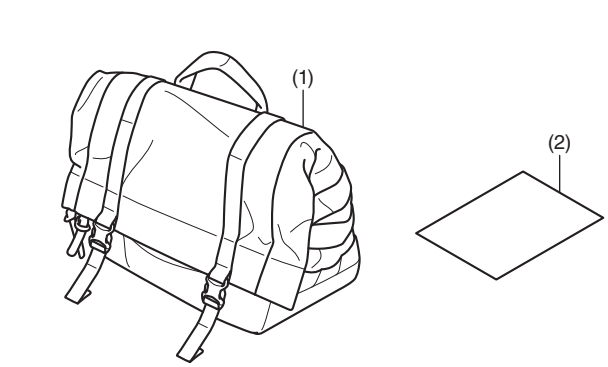
Sold separately



No.	Description	Qty
(1)	Left saddlebag	1
(2)	URL paper	1

RIGHT SADDLEBAG (Small)

Sold separately



No.	Description	Qty
(1)	Right saddlebag	1
(2)	Installation Instruction URL	1

MAXIMUM LOADING CAPACITY

- The weight of the cargo must not exceed the following maximum loading capacity:

Maximum Loading Capacity	
Left saddlebag	3.0 kg (6.6 lb)
Right saddlebag	3.0 kg (6.6 lb)

TOOLS REQUIRED

Hex wrench (4, 5 and 6 mm)

Torque wrench

TORQUE INFORMATION

Tighten all screws, bolts, and nuts to their specified torque values. Refer to the Service Manual for the torque values of the removed parts.

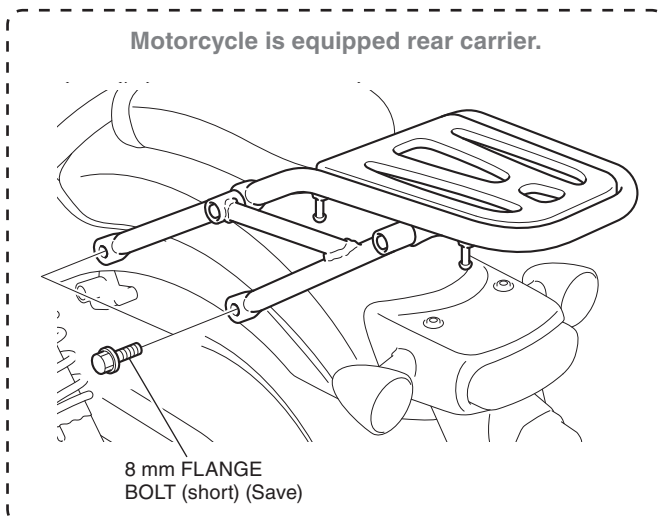
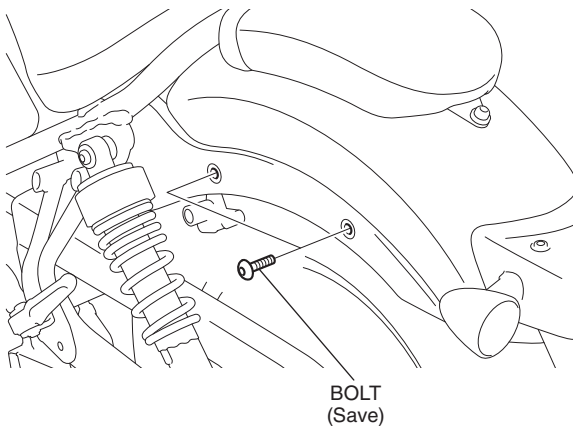
Item	N·m	kgf·m	lbf·ft
6 mm socket bolt	10	1.0	7
8 mm socket bolt	22	2.2	16

INSTALLATION

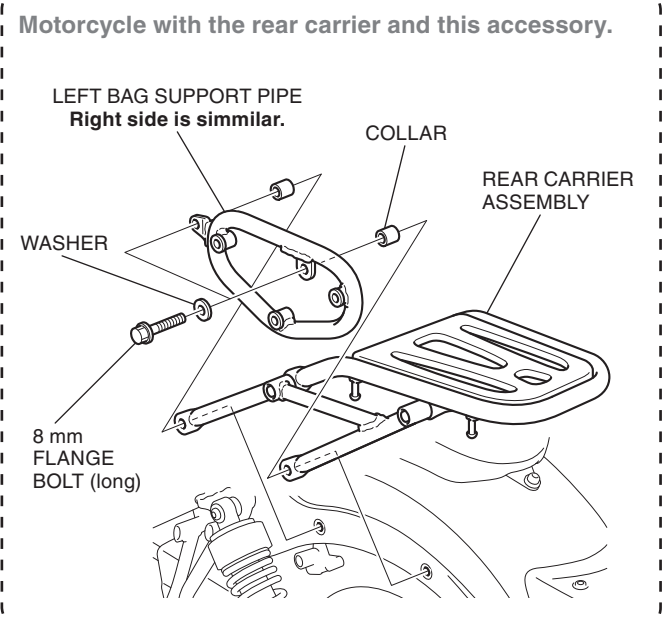
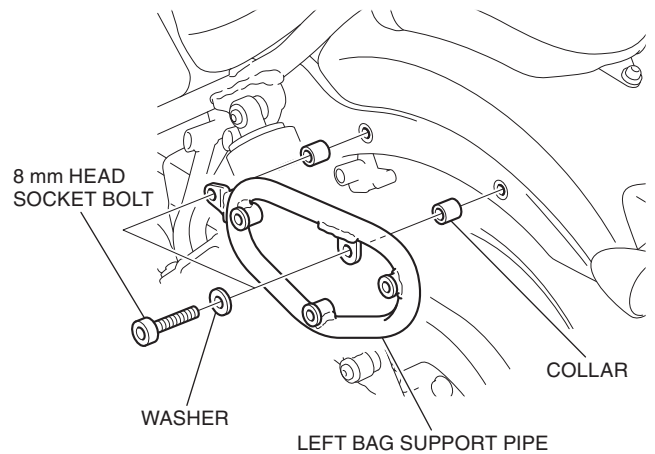
NOTE:

- Take care not to damage the painted surfaces of the motorcycle.
- Save all removed parts unless otherwise indicated.

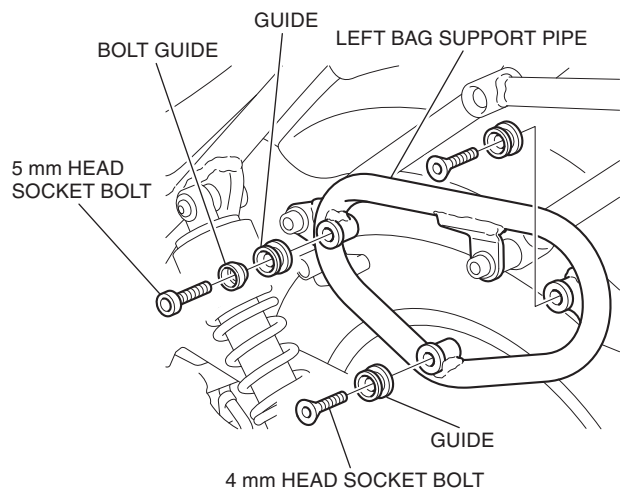
1. Refer to the Service Manual for the motorcycle, remove the motorcycle parts.
 - Repeat on the right side.



2. Install the left bag support pipe as shown.
 - Repeat on the right side.



3. Install the guides as shown.
 - Repeat on the right side.



4. Refer to the Genuine Accessory User's Guide and install the saddlebag according to the instruction.