



INSTALLATION INSTRUCTIONS

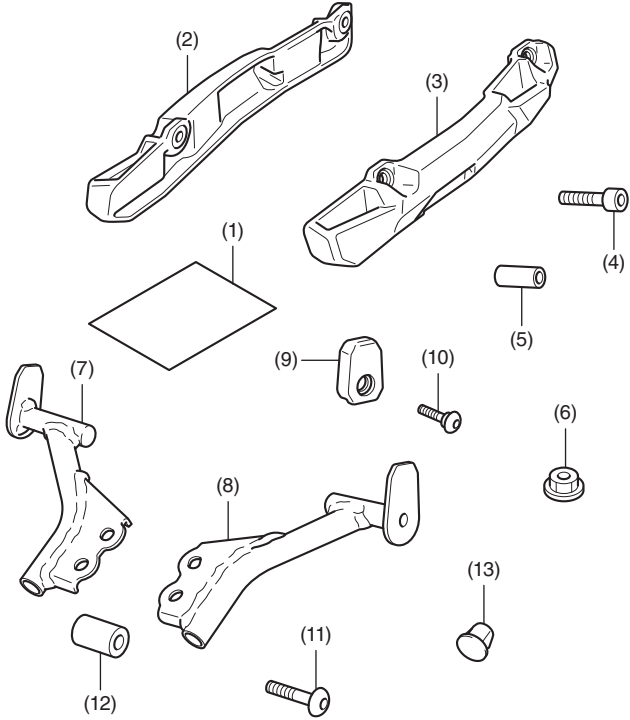
Accessory
PANNIER STAYS
P/N 08L71-MKW-D00

Application
NC750XA/XD

Publication No.
MII 17714
Issue Date
April 2021

Honda Dealer: Please give a copy of these instructions to your customer.

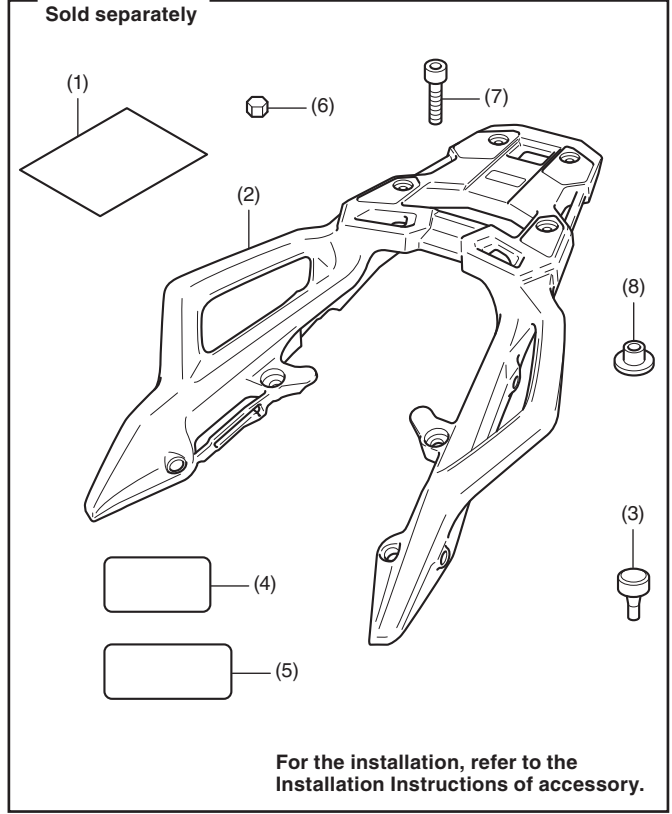
PARTS LIST



No.	Description	Qty
(1)	Installation instructions	1
(2)	Right pannier bracket	1
(3)	Left pannier bracket	1
(4)	8 mm socket bolt (short)	4
(5)	Collar (short)	4
(6)	8 mm flange nut	4
(7)	Right pannier support stay	1
(8)	Left pannier support stay	1
(9)	Rubber	2
(10)	6 mm screw	2
(11)	8 mm socket bolt (long)	4
(12)	Collar (long)	4
(13)	Pipe cap	2

REAR CARRIER

Sold separately



For the installation, refer to the Installation Instructions of accessory.

No.	Description	Qty
(1)	Installation instructions	1
(2)	Rear carrier	1
(3)	Stopper rubber	4
(4)	Label (08L42-MGE-800-G1)	1
(5)	Label (KFG-900) (Not used.)	1
(6)	Plug	4
(7)	8 mm socket bolt	2
(8)	Flange collar	2

TOOLS AND SUPPLIES REQUIRED

- Socket (12 mm)
- Ratchet
- Box-end wrench (12 mm)
- Hex wrench (5 and 6 mm)
- Isopropyl alcohol
- Shop towel
- Torque wrench

TORQUE CHART

Tighten all screws, bolts, and nuts to their specified torque values. Refer to the Service Manual for the torque values of the removed parts.

Item	N-m	kgf-m	lbf-ft
6 mm screw	9	0.9	6.6
8 mm socket bolt	27	2.8	20
8 mm flange nut	27	2.8	20

MAXIMUM LOADING CAPACITY

- The weight of the cargo must not exceed the following maximum loading capacity:

Maximum Loading Capacity	
Right pannier case	6.0 kg (13.2 lb)
Left pannier case	6.0 kg (13.2 lb)

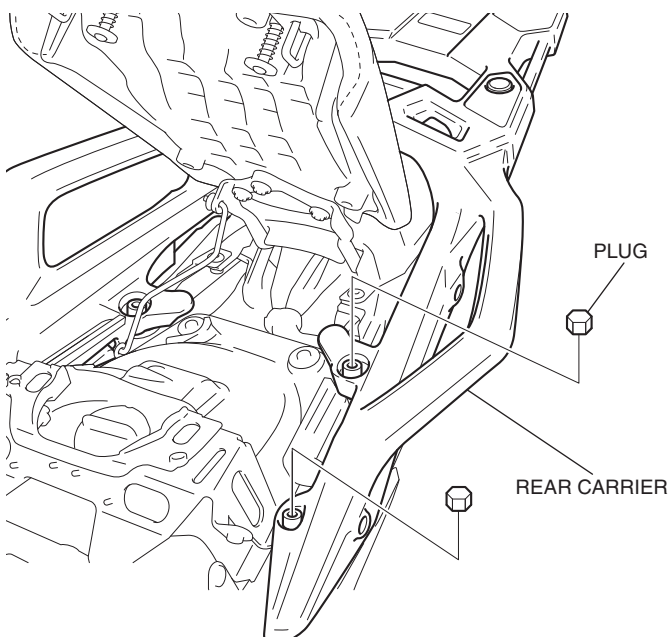
INSTALLATION.

NOTE:

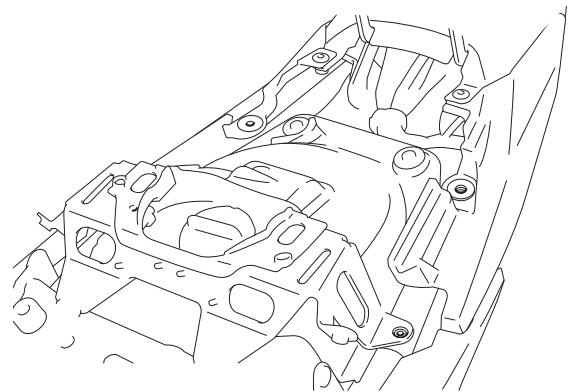
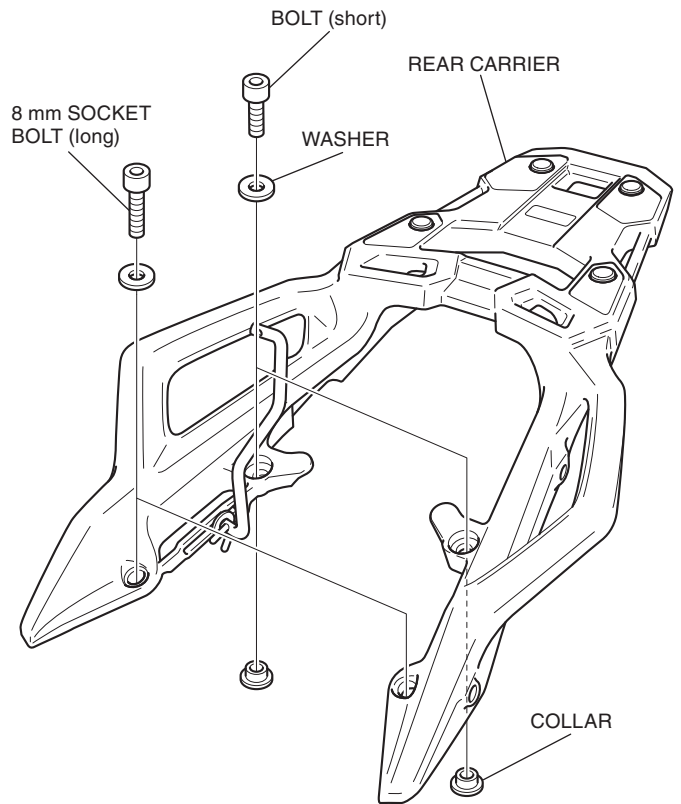
- Heat the bonding surfaces with a hair dryer if the ambient air temperature is below 70°F (21°C).
- The adhesive reaches full strength in 72 hours. Wait at least 24 hours before riding your motorcycle.

- Perform step 1 on the rear carrier (sold separately) installation instructions.
- Remove the plugs as shown.
 - Perform this step for the motorcycle equipped with the rear carrier.**
 - Repeat on the right side.**

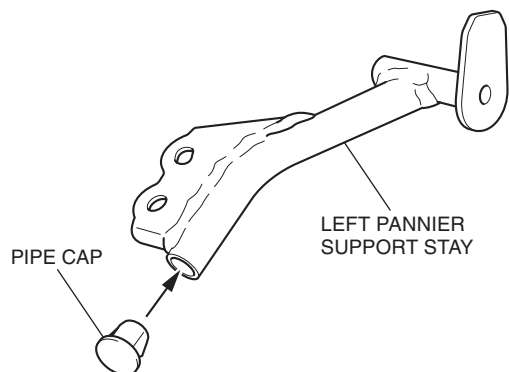
<Left side>



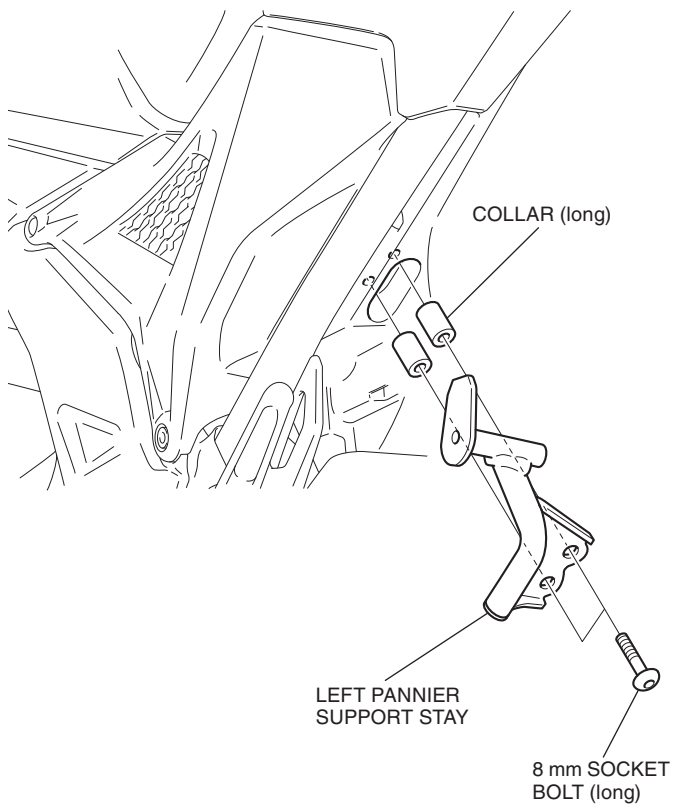
- Perform steps 2 to 4 on the rear carrier (sold separately) installation instructions.
- Remove the rear carrier as shown.
 - Perform this step for the motorcycle equipped with the rear carrier.**



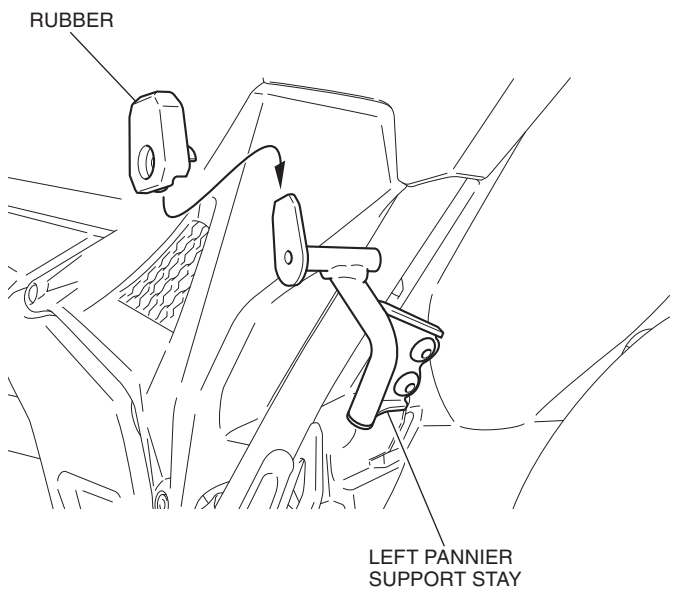
- Install the pipe cap on the left pannier support stay.
 - Repeat on the right side.**



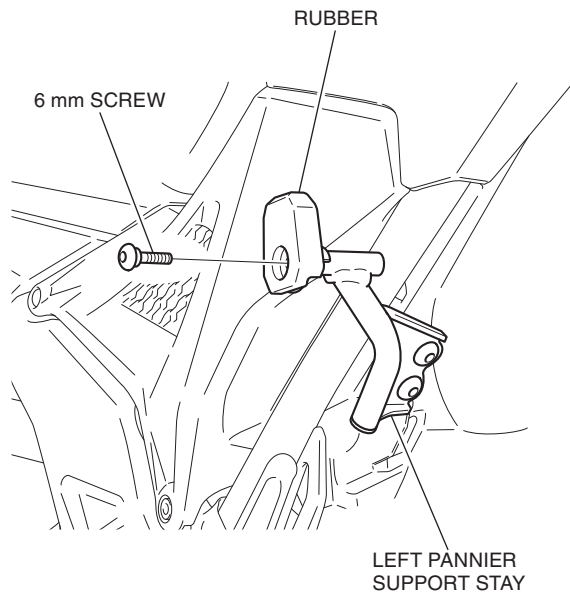
6. Install the left pannier support stay as shown.
<Left side>



7. Insert the rubber as shown.



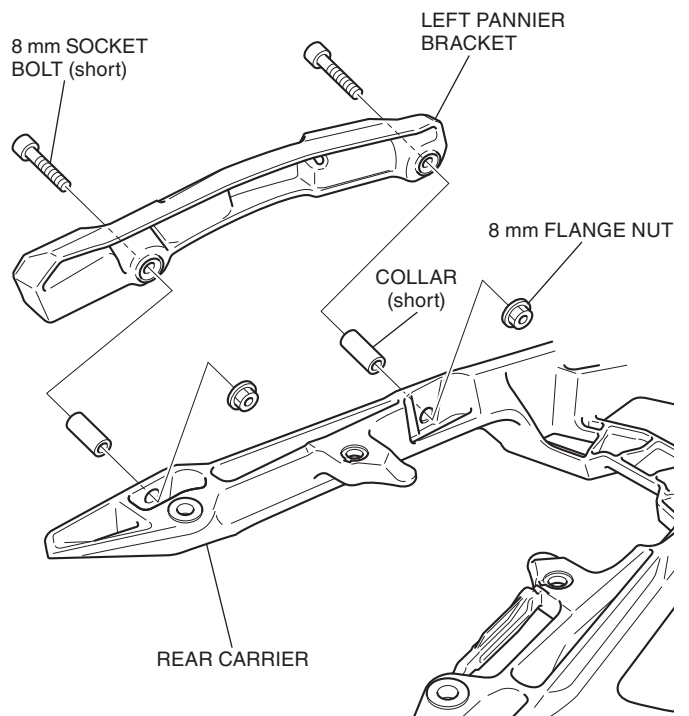
8. Install the 6 mm screw as shown.



9. Install the right pannier support stay and rubber in the same manner as the left side.

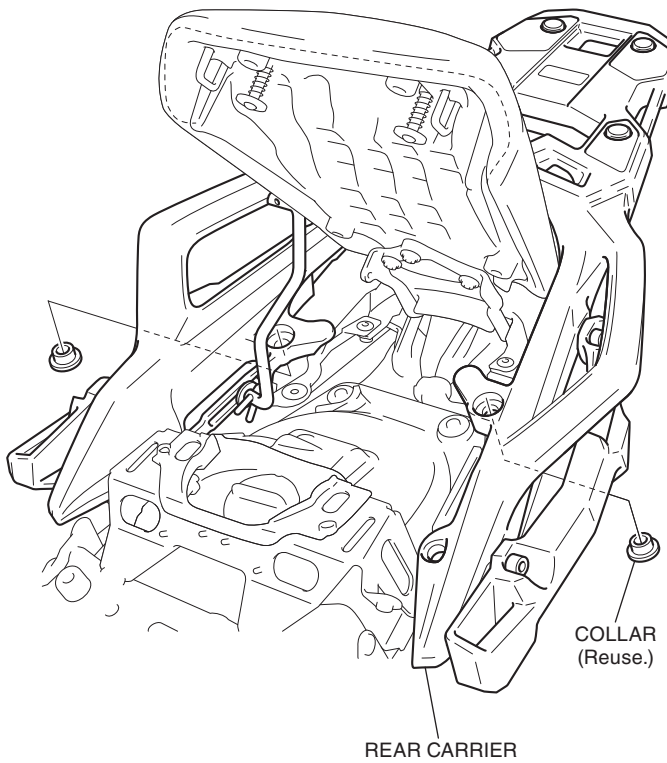
10. Install the left pannier bracket as shown.

- Repeat on the right side.



11. Perform steps 5 to 6 on the rear carrier (sold separately) installation instructions.

12. Place the rear carrier and install the collars as shown.



13. Perform steps 8 to 14 on the rear carrier (sold separately) installation instructions.
14. Refer to the Genuine Accessory user's Guide that comes together with the pannier case, and install the pannier case according to the instruction.