

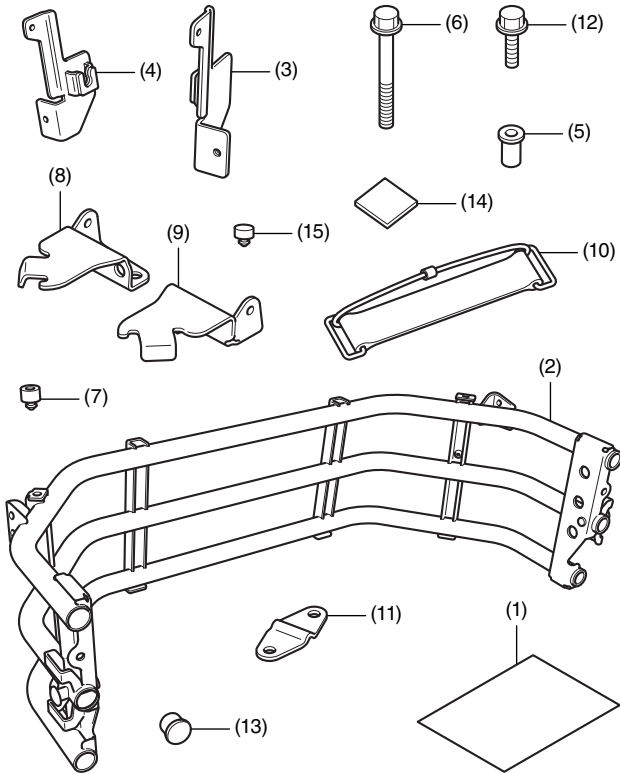
HONDA

INSTALLATION INSTRUCTIONS

Accessory	Application	Publication No.
BED EXTENDER (5P) P/N 08L71-HL4-A02	SXS1000M5D/M5P	MII 15262
		Issue Date
		September 2015

Honda Dealer: Please give a copy of these instructions to your customer.

PARTS LIST



No.	Description	Qty
(1)	Installation Instructions URL	1
(2)	Bed extender	1
(3)	Right bed extender bracket	1
(4)	Left bed extender bracket	1
(5)	Collar	2
(6)	6 mm flange bolt (long)	2
(7)	Rubber bumper (thick)	6
(8)	Left tailgate bracket	1
(9)	Right tailgate bracket	1
(10)	Band	2
(11)	Band bracket	2
(12)	6 mm flange bolt (short)	4
(13)	Cap	6
(14)	Lock cushion	2
(15)	Rubber bumper (thin)	2

TOOLS AND SUPPLIES REQUIRED

- Socket (10 mm)
- Ratchet
- Electric drill
- Drill bit (13 mm)
- Isopropyl alcohol
- Dish soap solution: (Water : Dish soap / 100 : 1)
- Shop towel
- Torque wrench

TORQUE CHART

Tighten all screws, bolts, and nuts to their specified torque values. Refer to the Service Manual for the torque values of the removed parts.

Item	N-m	kgf-m	lbf-ft
6 mm flange bolt	12	1.2	9

INSTALLATION

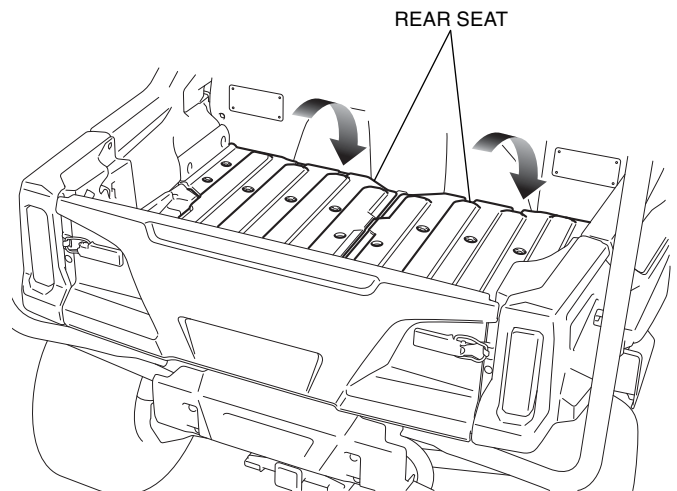
▲ CAUTION

- To prevent burns, allow the engine, exhaust system, radiator, etc., to cool before installing the accessory.

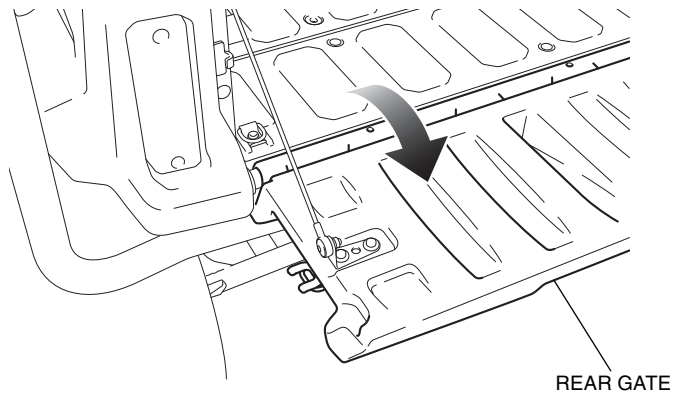
NOTE:

- Heat the bonding surfaces with a hair dryer if the ambient air temperature is below 70°F (21°C).
- The adhesive reaches full strength in 72 hours. Wait at least 24 hours before driving your vehicle.

1. Fold down the rear seat as shown.

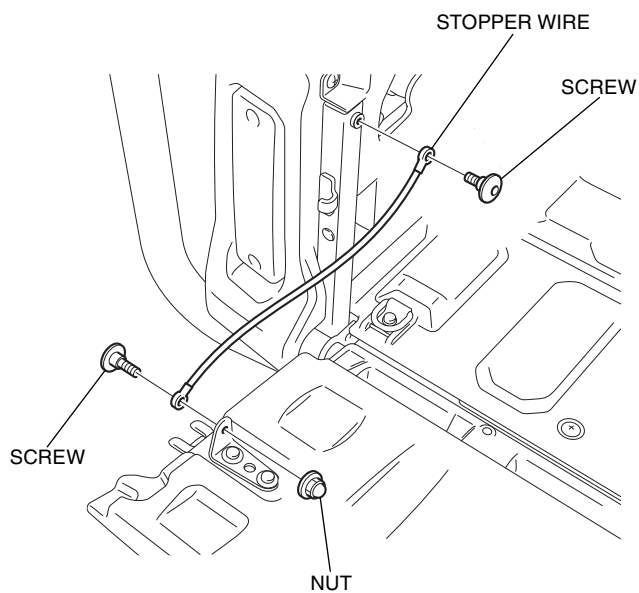


2. Fold down the rear gate as shown.

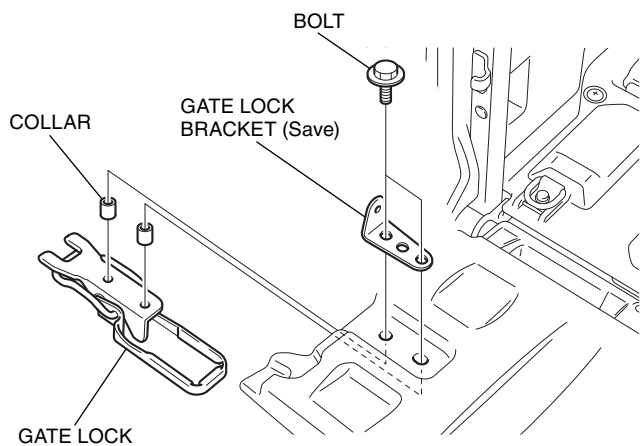


3. Remove the stopper wire as shown.

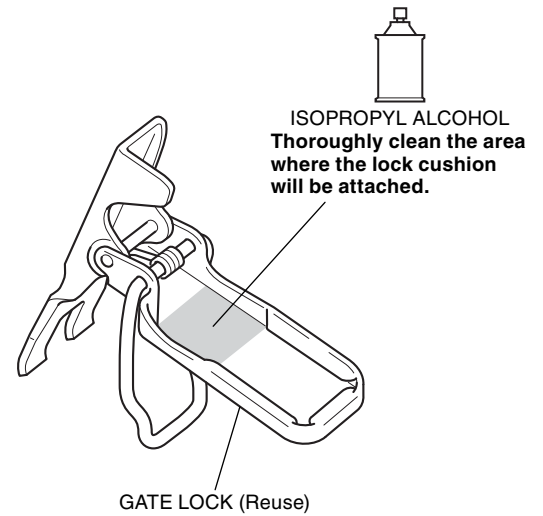
<Left side>



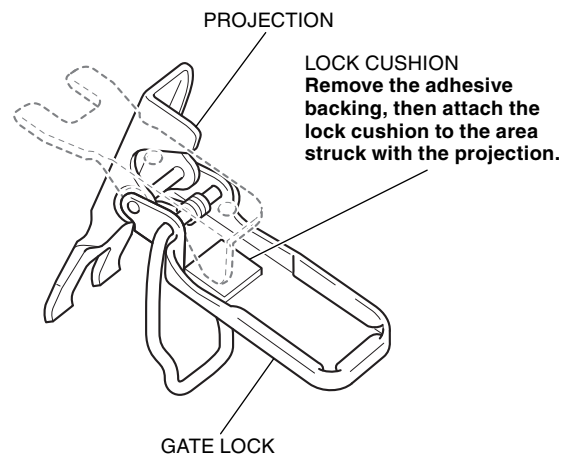
4. Remove the gate lock bracket and gate lock as shown.



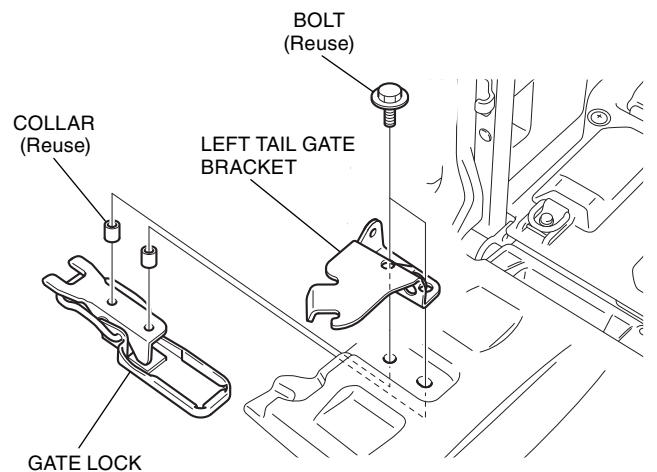
5. Clean the surface of the area shown using an isopropyl alcohol.



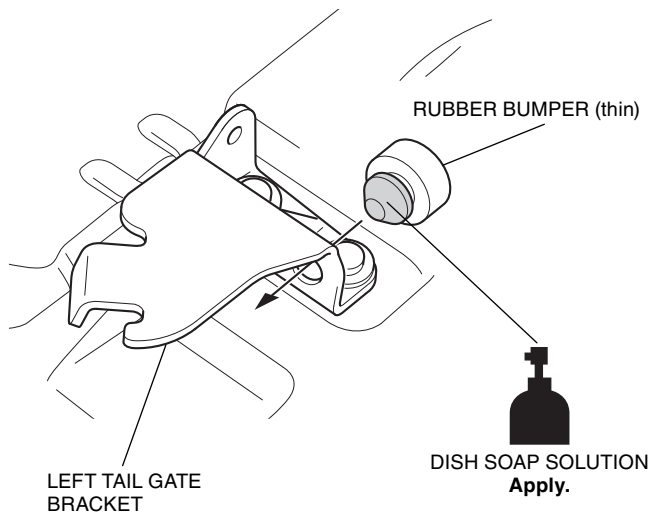
6. Attach the lock cushion as shown.



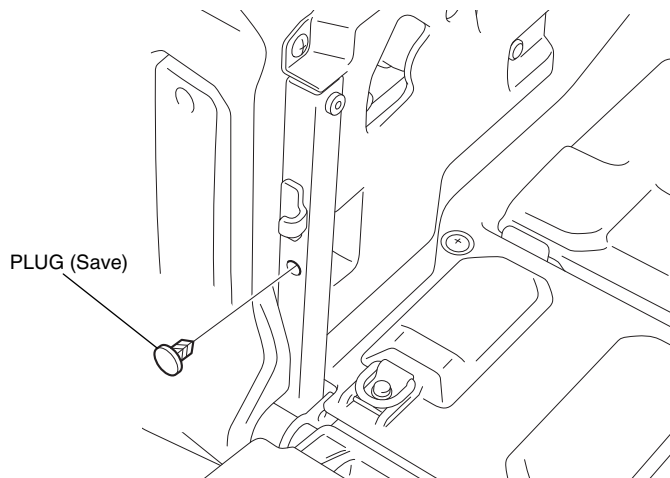
7. Install the left tail gate bracket and gate lock as shown.



8. Install the rubber bumper (thin) as shown.

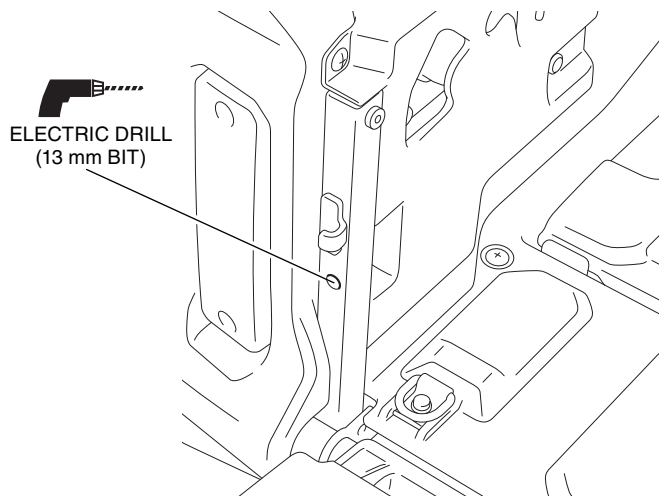


9. Remove the plug as shown.

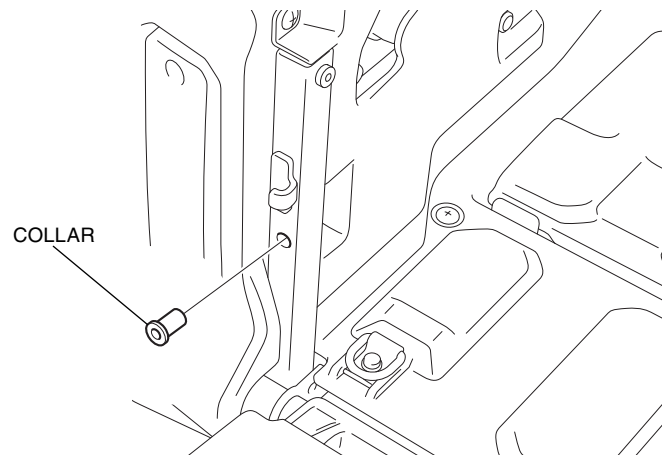


10. Drill at the hole in the vehicle as shown.

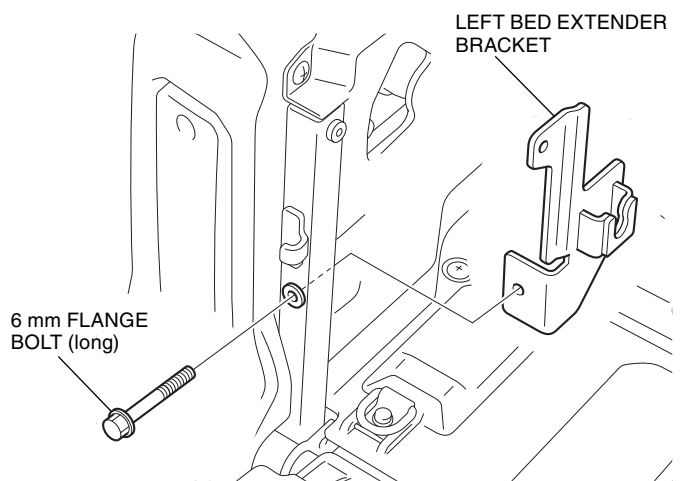
- Enlarge the hole of the vehicle using an electric drill with 13 mm bit.
- Remove any burrs from the edge of the hole.



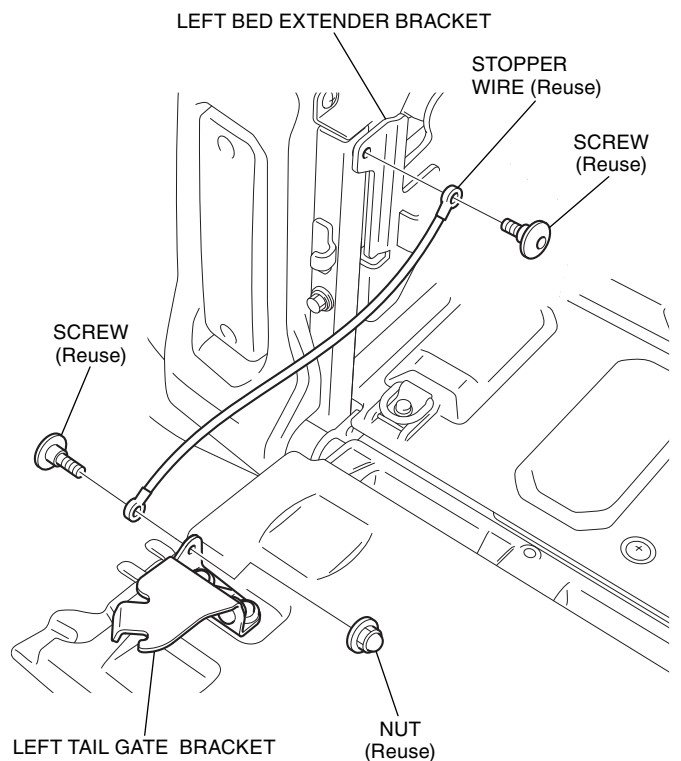
11. Install the collar as shown.



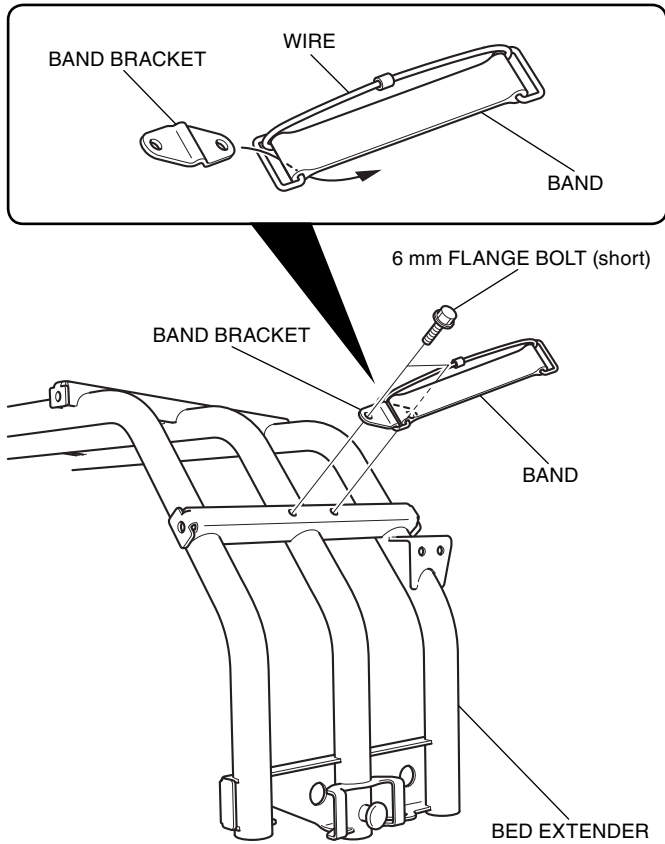
12. Loosely install the left bed extender bracket as shown.



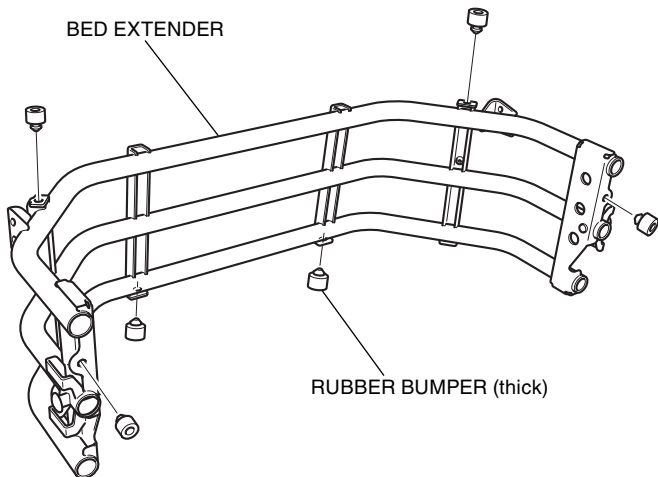
13. Install the stopper wire as shown.



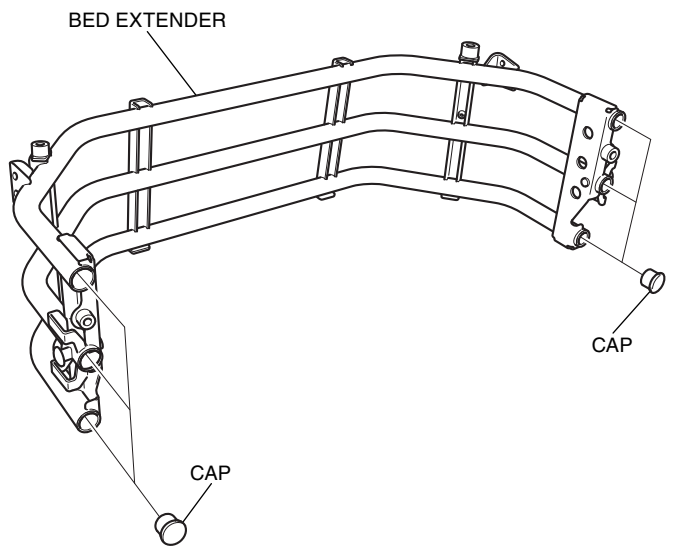
14. Tighten the loosely installed parts securely.
15. Repeat Steps 3 through 13 on the right side.
16. Install the band and band bracket as shown.
 - Perform the procedure on the other side.



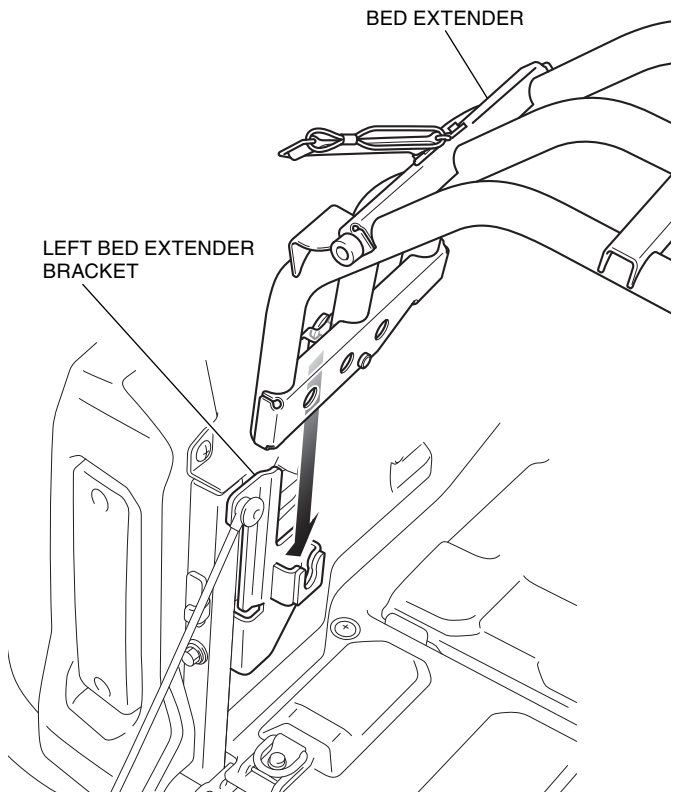
17. Install the rubber bumpers (thick) as shown.



18. Install the caps as shown.



19. Install the bed extender on the left and right bed extender brackets as shown.



20. Bring the bed extender down and secure it with the band.

