

HONDA

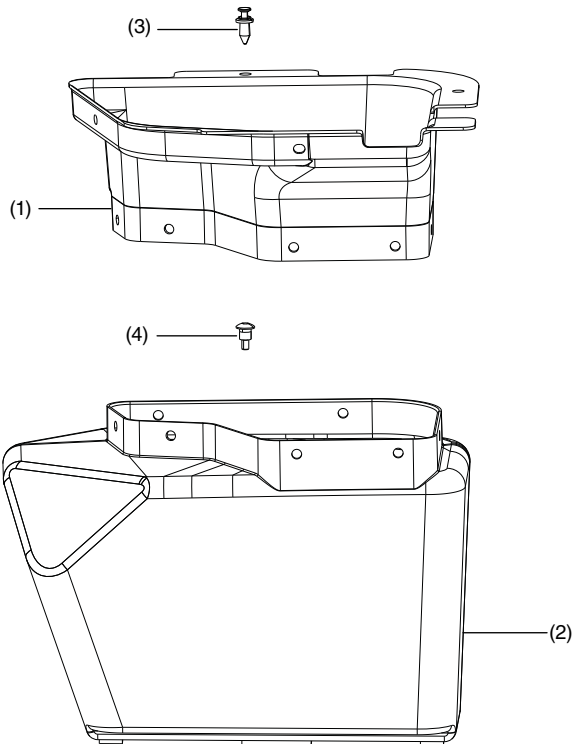
INSTALLATION INSTRUCTIONS

Accessory
UNDER SEAT STORAGE
 P/N: 08L70-HL4-F00

Application
After '16
SXS1000M3/M5 - All Types

Publication No.
MII 16083
 Issue Date
January 2017

PARTS LIST



No.	Description	Qty
(1)	Box flange	1
(2)	Box bottom	1
(3)	Trim clip	11
(4)	Shoulder bolt, 6 x 19 mm	1

TOOLS AND SUPPLIES REQUIRED

Socket wrench (5 mm)

Torque wrench

NOTE:

This accessory cannot be installed if a heater kit is already installed in the vehicle.

TORQUE CHART

Tighten all screws, bolts, and nuts to their specified torque values. Refer to the Service Manual for the torque values of the removed parts

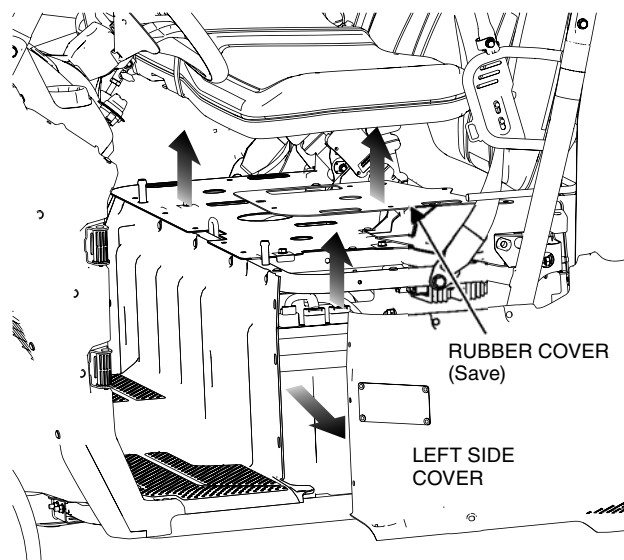
Item	N-m	kgf-m	lbf-ft
6 mm Bolt	10	1	7

USE AND CARE INFORMATION

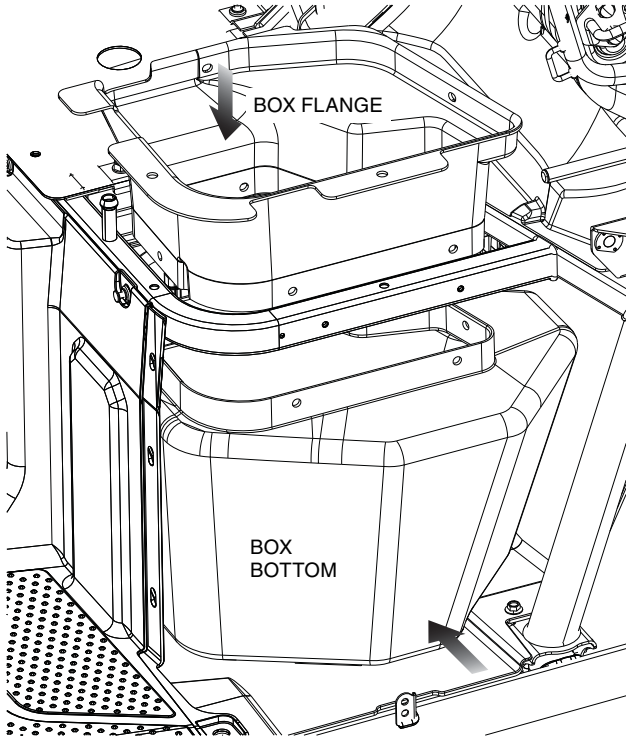
- Check the accessory mounts frequently and retighten if necessary.
- Replace this accessory with a new one if it is damaged or discolored excessively.
- To clean the under seat storage box, empty the box, clean the interior with warm water and soap using a wet cloth or sponge. Rinse it thoroughly (if necessary) and use the drain plug to empty the water from the box (if necessary). Do not use a brush to clean this accessory as it may scratch the surface.
- Never use petroleum based solvents such as gasoline, thinner or benzene to clean this accessory. Also do not use acid or alkaline cleaners.

INSTALLATION

1. Referring to the Service Manual for the vehicle, remove the seat, the rubber cover, and the left side cover.

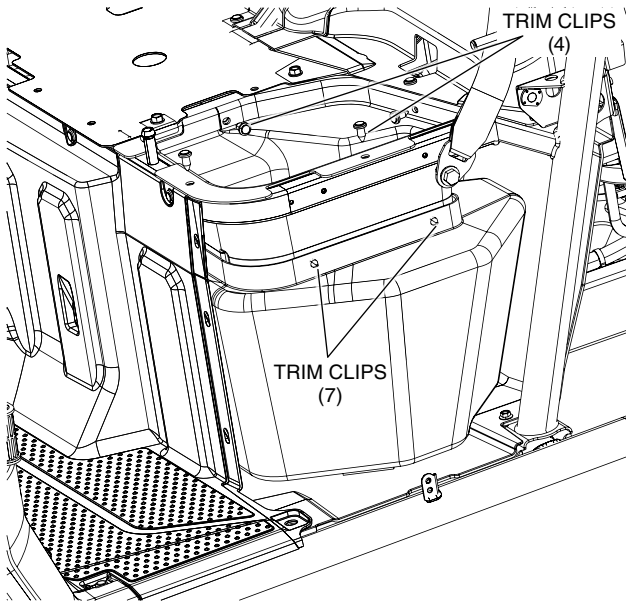


- Slide the box bottom in from the side opening and insert the box flange through the opening under the seat.



- Align the holes between the box bottom and the box flange and connect them together with seven trim clips as shown.

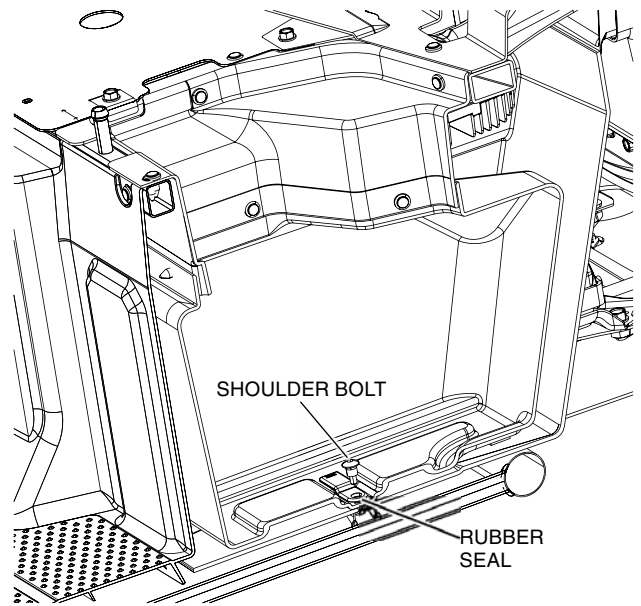
Align the holes between the assembled box and the under seat frame and connect the box assembly to the frame with four trim clips as shown.



- Install the shoulder bolt into the bracket on the support pipe by passing it through the rubber seal in the bottom of the box as shown.

Tighten the shoulder bolt to the specification in the torque chart.

<Cross section view>



- Referring to the Service Manual for the vehicle, re-install the seat and the left side cover using the original hardware set aside in Step 1.

The rubber cover will not be used when the under seat storage is installed.