

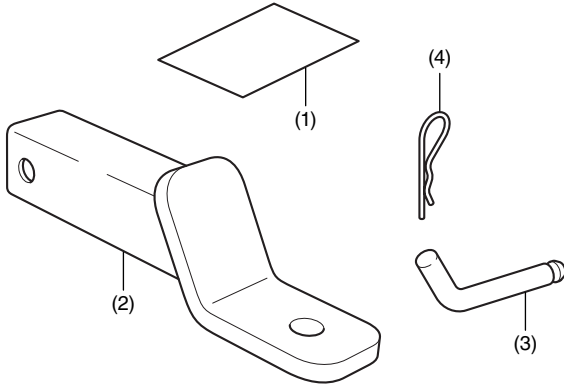


# INSTALLATION INSTRUCTIONS

Accessory	Application	Publication No.
<b>DRAW BAR</b> P/N 08L70-HL4-A00	<b>SXS1000M3/M3P/M5D/M5P</b>	<b>MII 15262</b>
		Issue Date
		<b>September 2015</b>

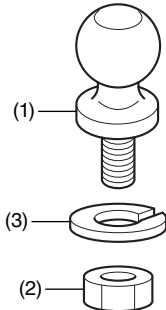
**Honda Dealer: Please give a copy of these instructions to your customer.**

## PARTS LIST



No.	Description	Qty
(1)	Installation Instructions URL	1
(2)	Draw bar	1
(3)	Pin	1
(4)	Clip	1

### TRAILER HITCH BALL Sold separately



No.	Description	Qty
(1)	Trailer hitch ball	1
(2)	3/4" nut	1
(3)	Spring washer	1

## TOOLS REQUIRED

- Socket (28 mm)
- Ratchet
- Torque wrench

## TORQUE CHART

Tighten all screws, bolts, and nuts to their specified torque values. Refer to the Service Manual for the torque values of the removed parts.

Item	N·m	kgf·m	lbf·ft
3/4" nut	175	18	129

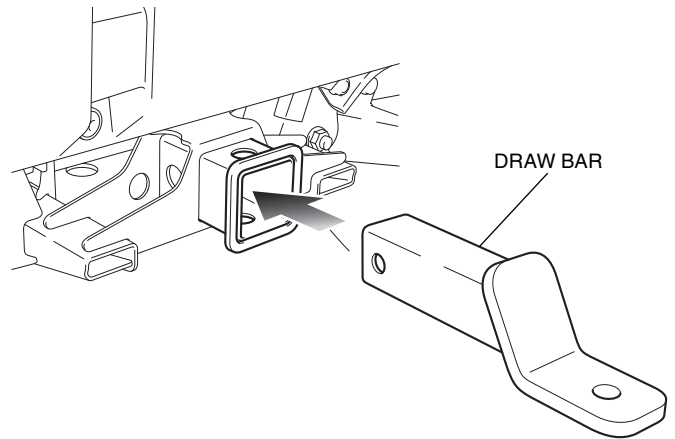
## MAXIMUM TOWING CAPACITY

- Never exceed the maximum tow weight of 2,000 lb (907 kg) and the maximum tongue weight of 200 lb (90 kg). Refer to the Owner's Manual for additional information on towing a trailer.

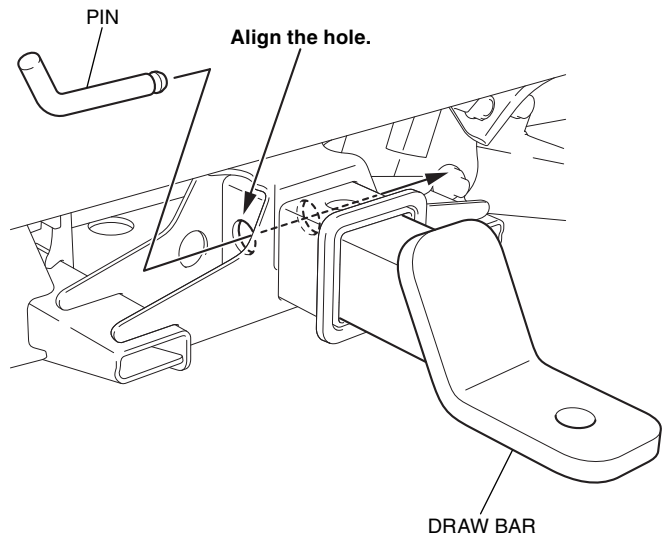
## INSTALLATION

- Install the draw bar as shown.

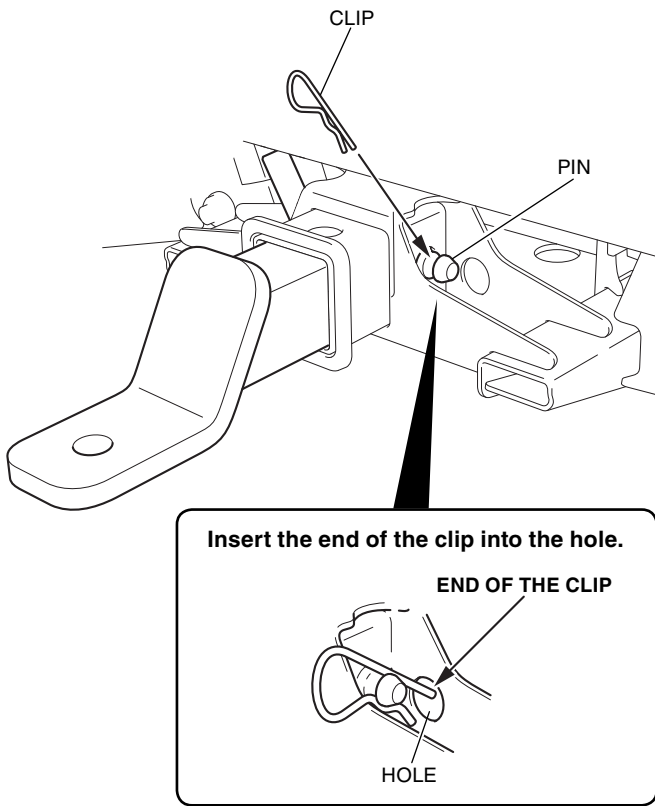
<Rear side>



- Install the pin as shown.



3. Install the clip as shown.



4. Install the trailer hitch ball as shown.

