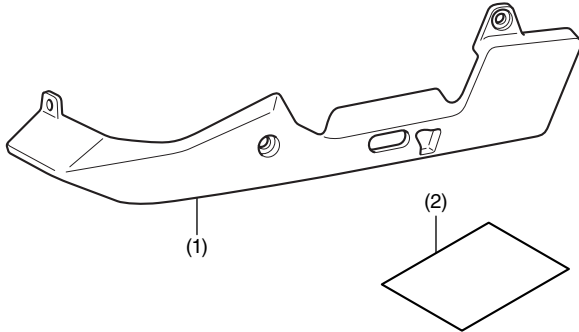


Accessory	Application	Publication No.
LEFT UNDER COWL P/N 08F81-MGZ-J40	CB500F/FA CB500X/XA	MII 14448
		Issue Date
		February 2013

PARTS LIST



No.	Description	Qty
(1)	Left under cowl	1
(2)	Installation Instruction URL	1

TORQUE INFORMATION

Refer to the Service Manual for the torque values of the removed parts.

INSTALLATION INFORMATION

⚠ CAUTION

- To prevent burns, allow the engine, exhaust system, radiator, etc., to cool before installing the accessory.

NOTE:

- Take care not to damage the painted surfaces of the motorcycle.
- Reinstall the removed parts on the motorcycle and make sure that wires and harnesses are not pinched.

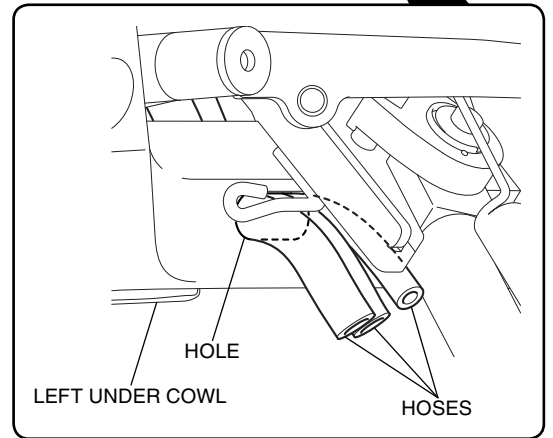
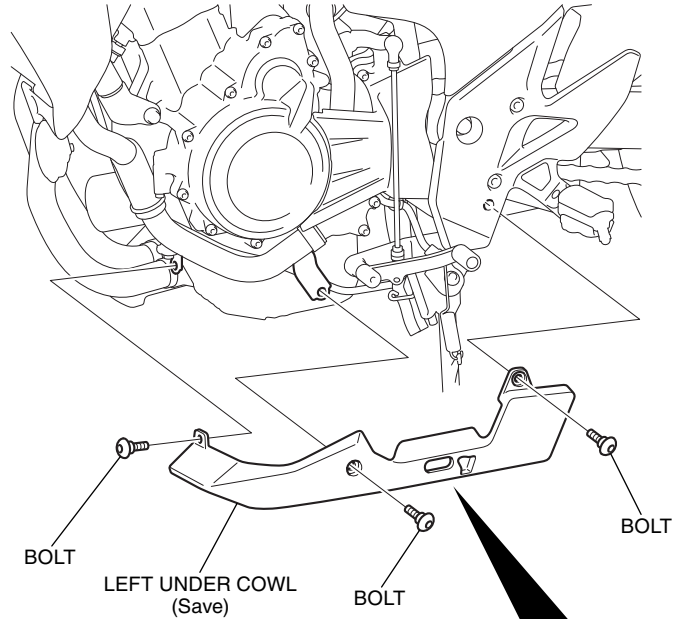
CONTENTS

Refer to the following pages for each type:

- INSTALLATION <CB500F/FA>..... P.1
- INSTALLATION <CB500X/XA>..... P.2

INSTALLATION <CB500F/FA>

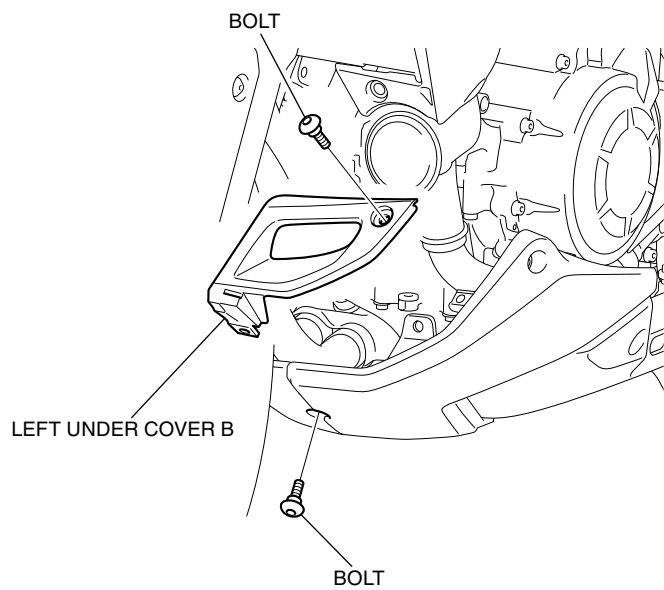
- Remove the existing left under cowl as shown.



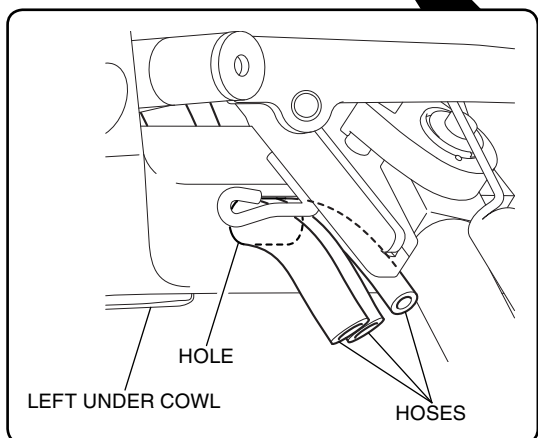
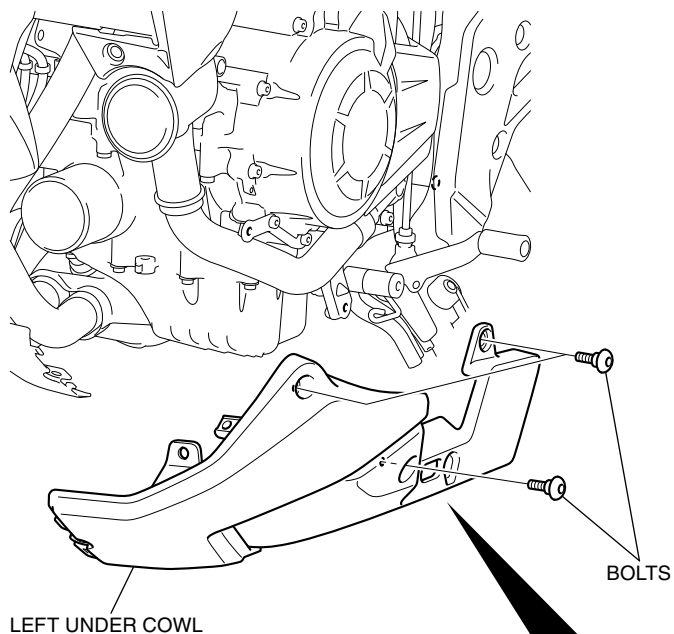
- Install the accessory left under cowl in the reverse order of removal.

INSTALLATION <CB500X/XA>

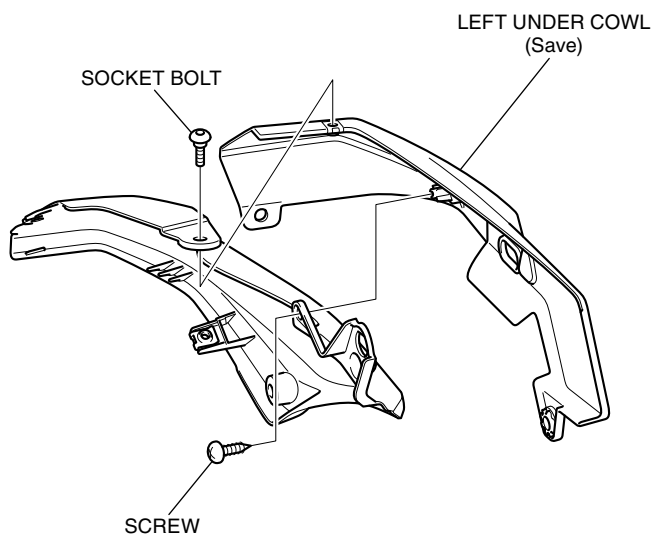
1. Remove the left under cover B as shown.



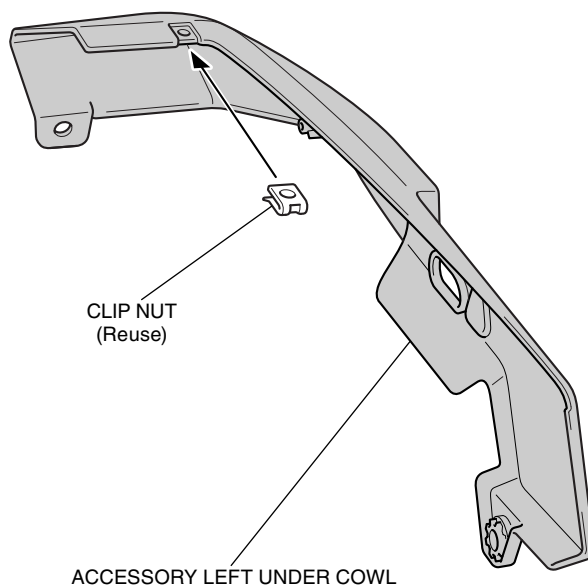
2. Remove the left under cowl as shown.



3. Remove the existing left under cowl as shown.



4. Exchange the left under cowl for the accessory part as shown.



5. Install the accessory left under cowl in the reverse order of removal.
6. Install the left under cover B in the reverse order of removal.